



US00D779576S

(12) **United States Design Patent**  
**Ikegame**

(10) **Patent No.:** **US D779,576 S**

(45) **Date of Patent:** **\*\* Feb. 21, 2017**

(54) **INSTANT CAMERA**

(71) Applicant: **FUJIFILM Corporation**, Tokyo (JP)

(72) Inventor: **Haruka Ikegame**, Tokyo (JP)

(73) Assignee: **FUJIFILM Corporation**, Tokyo (JP)

(\*\*) Term: **15 Years**

(21) Appl. No.: **29/537,459**

(22) Filed: **Aug. 26, 2015**

(30) **Foreign Application Priority Data**

Feb. 27, 2015 (JP) ..... 2015-004176

(51) **LOC (10) Cl.** ..... **16-01**

(52) **U.S. Cl.**  
USPC ..... **D16/218; D16/211**

(58) **Field of Classification Search**  
USPC ..... D16/202, 208, 209, 210, 211, 218,  
D16/219, 220, 237

CPC ..... G03B 5/02; G03B 7/102; G03B 17/04;  
G03B 17/18; G03B 17/48; G03B 17/50;  
G03B 17/52

See application file for complete search history.

(56) **References Cited**

**U.S. PATENT DOCUMENTS**

- 6,397,006 B1 \* 5/2002 Sasaki ..... G03B 17/50  
347/2
- D463,472 S \* 9/2002 Horikiri ..... D16/218
- D473,251 S \* 4/2003 Katayama ..... D16/218
- D484,523 S \* 12/2003 Senda ..... D16/218
- 6,712,531 B2 \* 3/2004 Takagi ..... G03B 17/04  
396/349
- 6,847,783 B2 \* 1/2005 Sasaki ..... G03B 17/52  
116/213
- D524,838 S \* 7/2006 Watanabe ..... D16/202

- D572,285 S \* 7/2008 Kuroda ..... D16/202
- D662,963 S \* 7/2012 Muraki ..... D16/219
- D689,111 S \* 9/2013 Kobayashi ..... D16/202
- D697,959 S \* 1/2014 Imai ..... D16/202
- D709,543 S \* 7/2014 Isozaki ..... D16/218
- D712,950 S \* 9/2014 Kwon ..... D16/202

(Continued)

**OTHER PUBLICATIONS**

“Fujifilm instax mini 90—The Best Instax Camera !!”, posted at youtube.com, Oct. 20, 2013, [site visited Aug. 8, 2016]. Available from Internet: <<https://www.youtube.com/watch?v=I5AXSrTlxPo>>.\*

(Continued)

*Primary Examiner* — Celia Murphy

*Assistant Examiner* — John M Otte

(74) *Attorney, Agent, or Firm* — Young & Thompson

(57) **CLAIM**

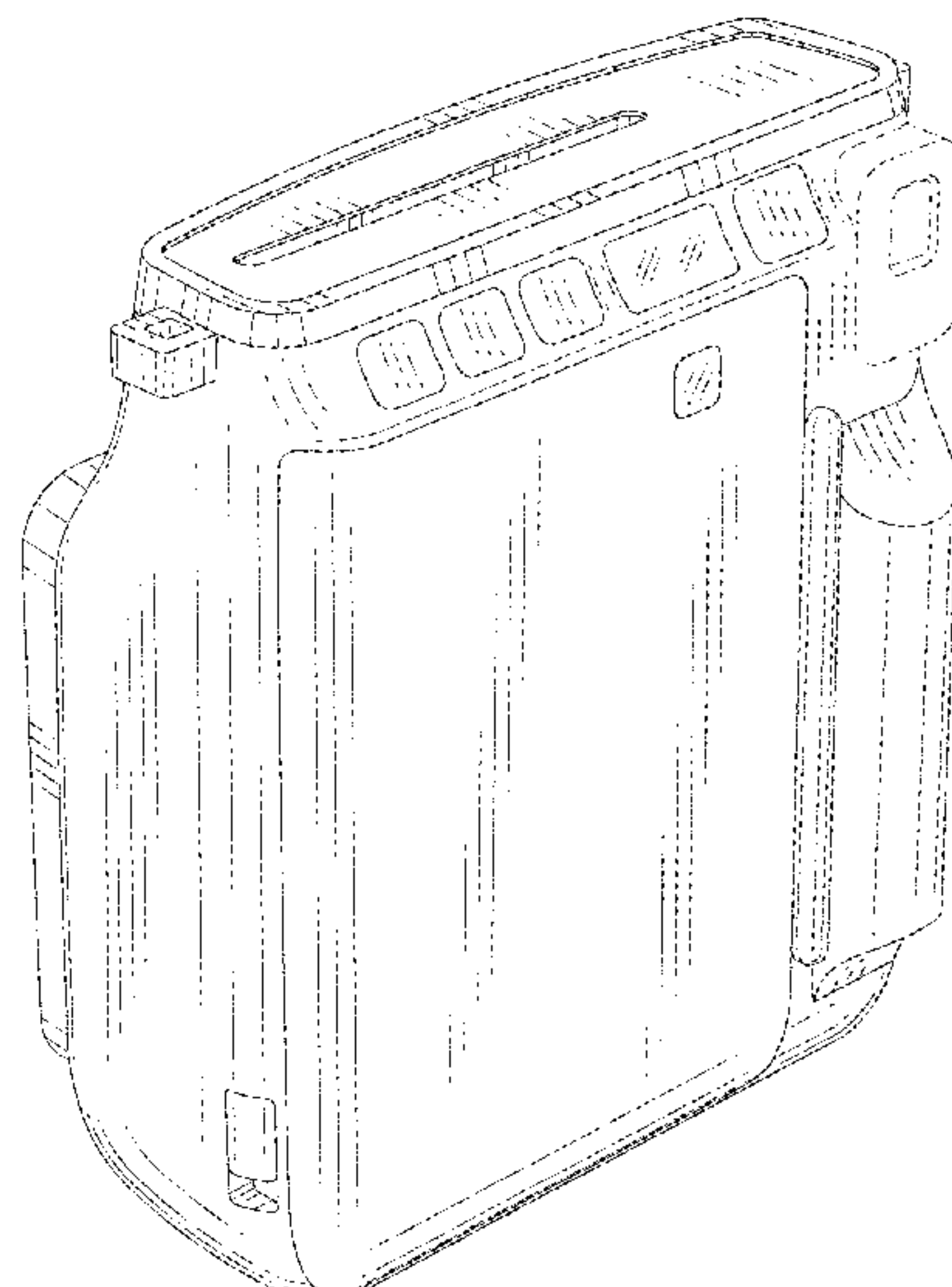
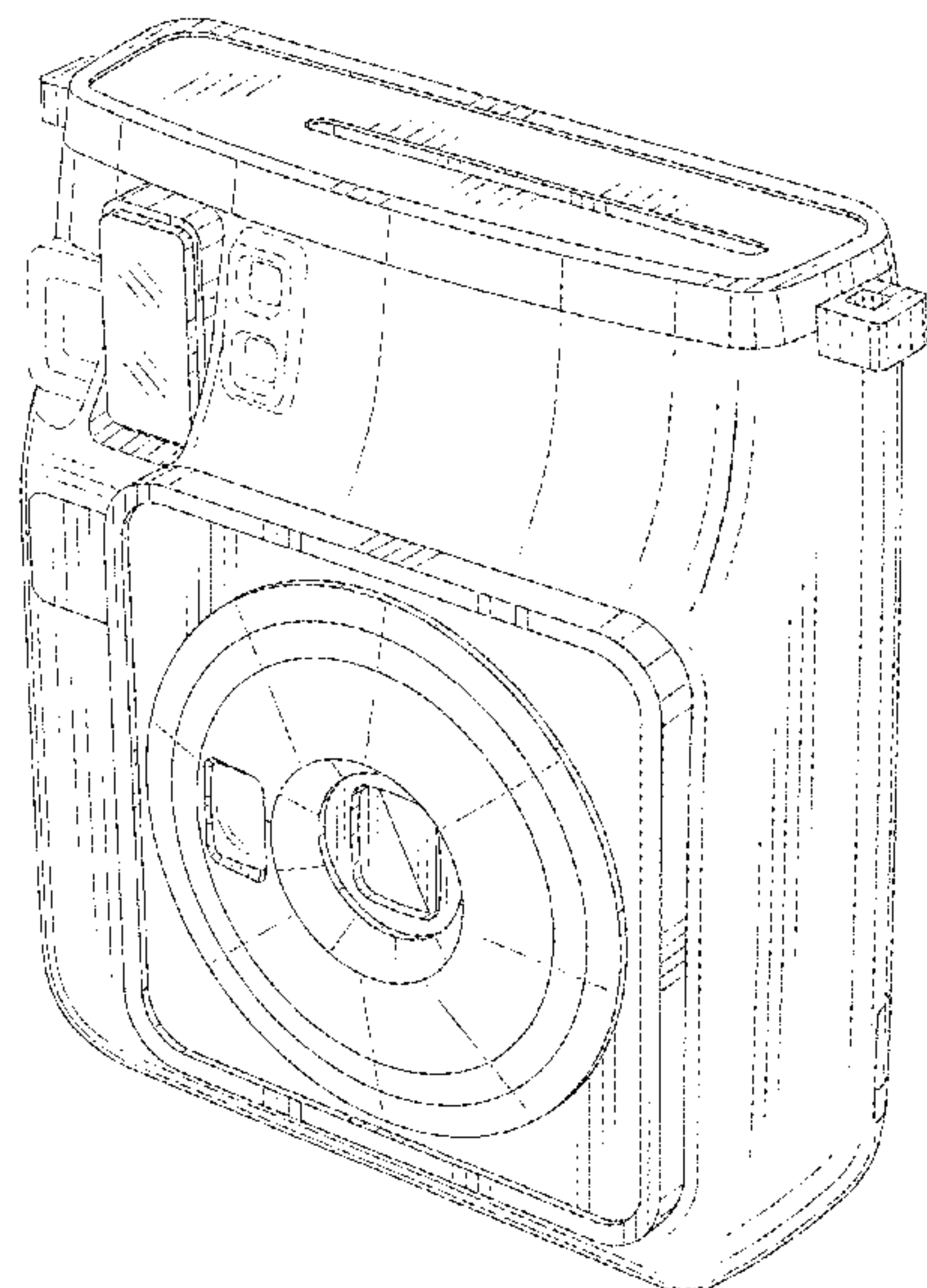
The ornamental design for an instant camera, as shown and described.

**DESCRIPTION**

FIG. 1 is a top, front and right side perspective view of an instant camera showing my new design;  
FIG. 2 is a top, rear and right side perspective view thereof;  
FIG. 3 is a front elevational view thereof;  
FIG. 4 is a rear elevational view thereof;  
FIG. 5 is a top plan view thereof;  
FIG. 6 is a bottom plan view thereof;  
FIG. 7 is a left side elevational view thereof;  
FIG. 8 is a right side elevational view thereof; and,  
FIG. 9 is a top, front and right side perspective view thereof with a lens barrel protruded.

The portions of the article shown in broken line form no part of the claimed design.

**1 Claim, 8 Drawing Sheets**



(56)

**References Cited**

U.S. PATENT DOCUMENTS

D727,386 S \* 4/2015 Kobayashi ..... D16/202  
D727,392 S \* 4/2015 Fujita ..... D16/219  
D736,844 S \* 8/2015 Jang ..... D16/202

OTHER PUBLICATIONS

Sawh, Michael, "Fujifilm Instax mini 8 review", posted at trustedreviews.com, Aug. 20, 2013, [site visited Aug. 9, 2016]. Available from Internet: <<http://www.trustedreviews.com/fujifilm-instax-mini-8-review>>.\*

Prigg, Mark, "The 21st century Polaroid: Real-life Instagram camera lets you print out a retro postcards", posted at dailymail.co.uk, Mar. 4, 2013, [site visited Aug. 10, 2016]. Available from Internet: <<http://www.dailymail.co.uk/sciencetech/article-2287796/The-real-life-instagram-camera-lets-print-retro-postcard-are.html>>.\*

\* cited by examiner

FIG. 1

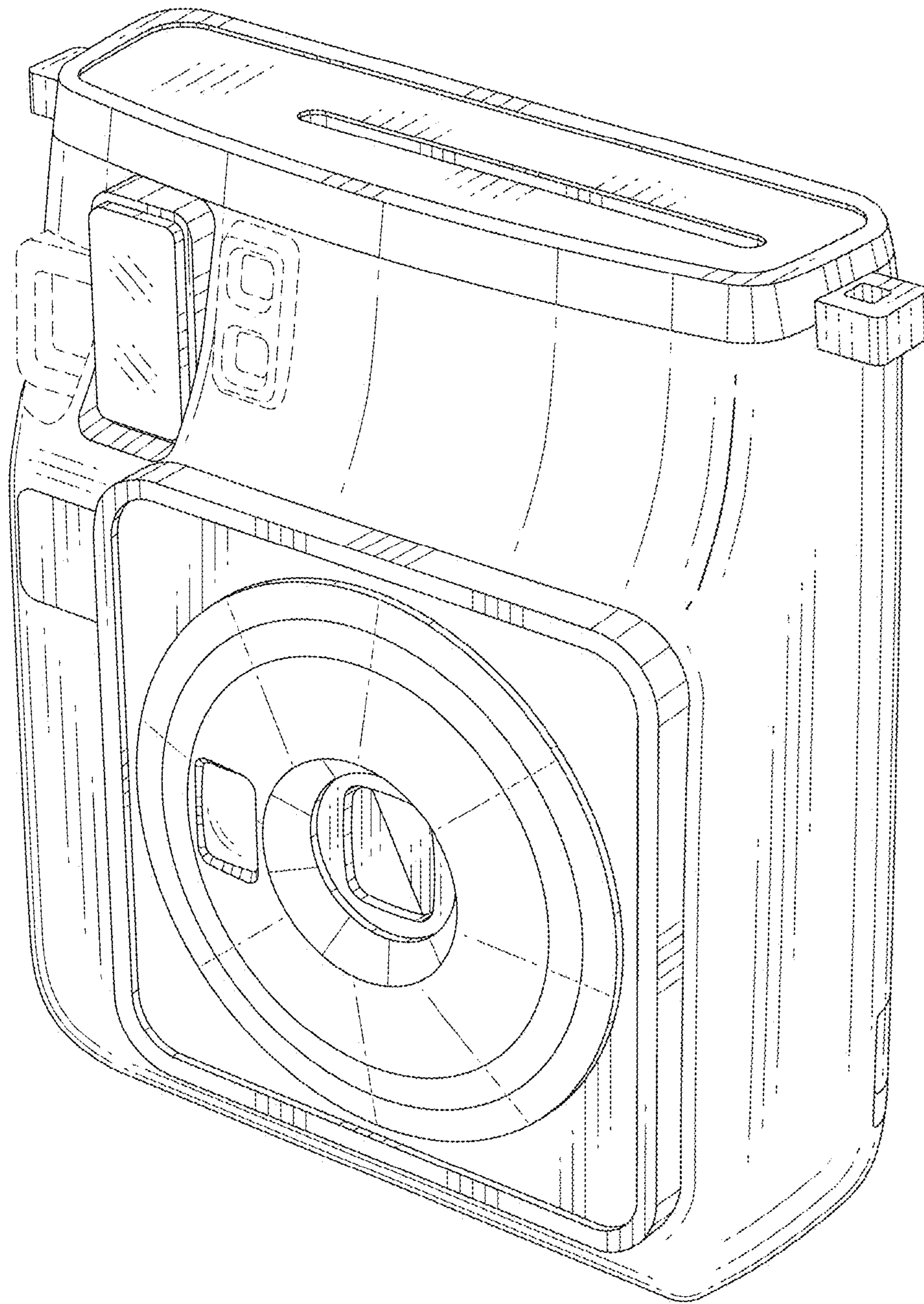




FIG. 2

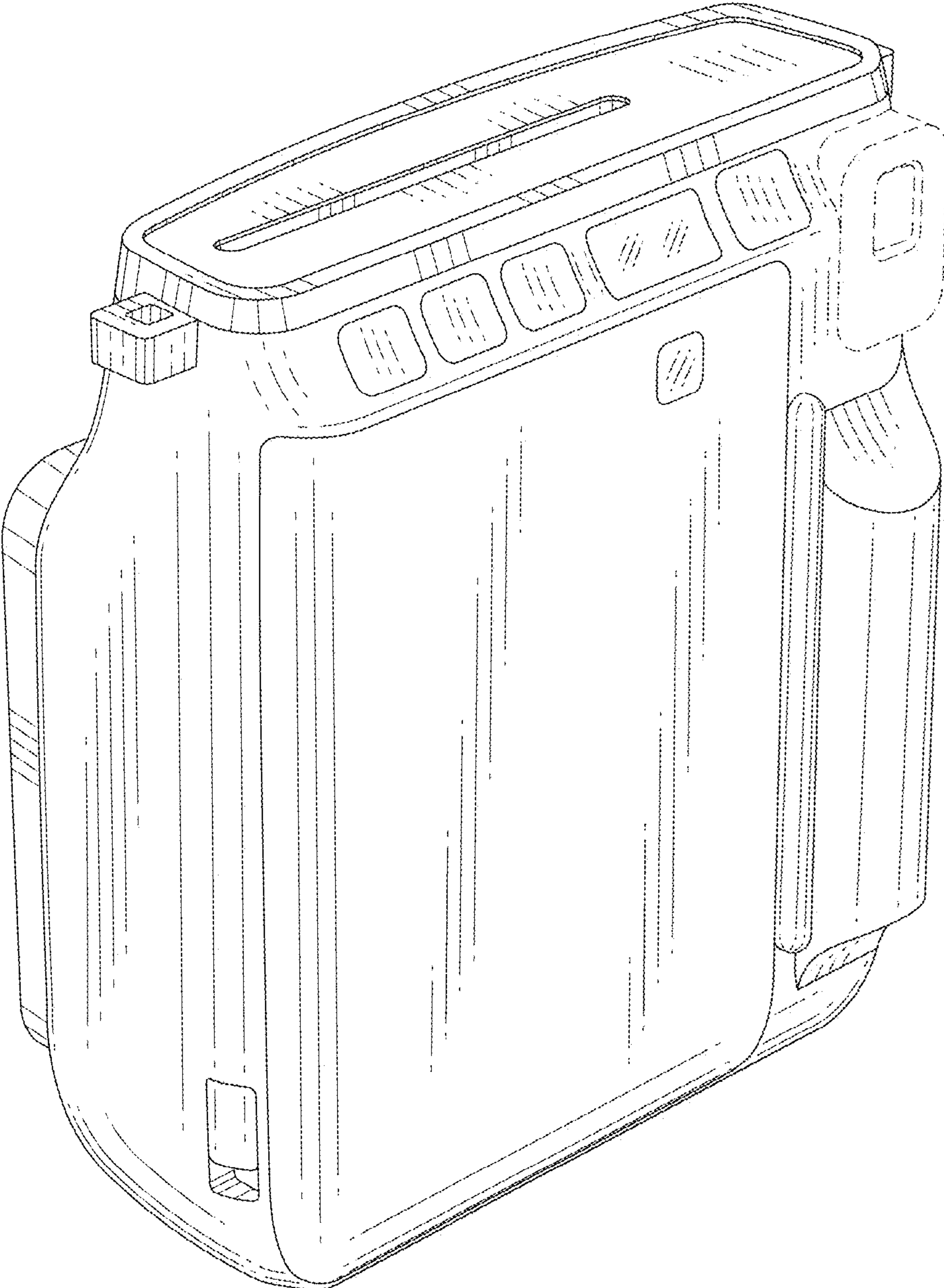


FIG. 3

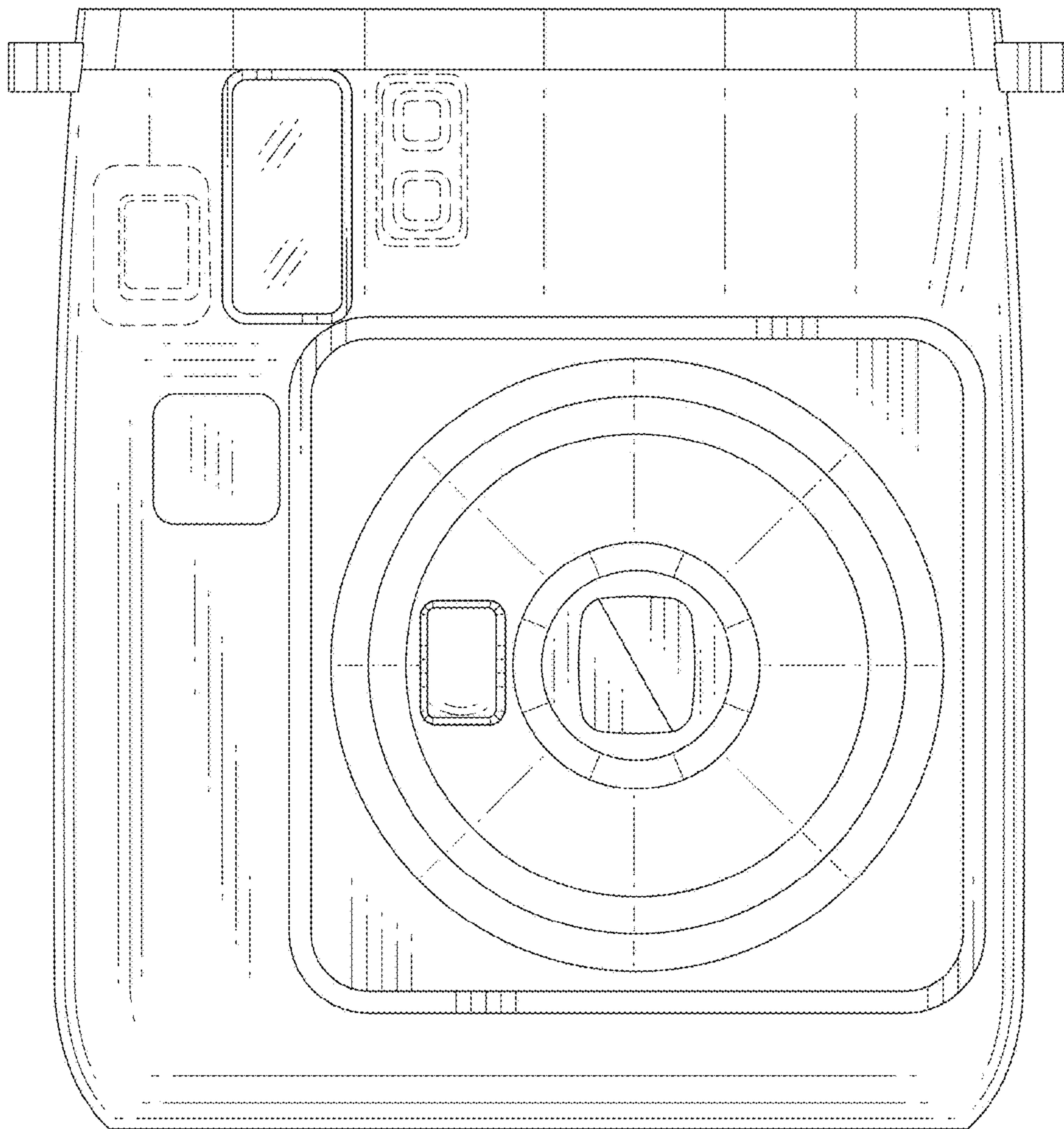


FIG. 4

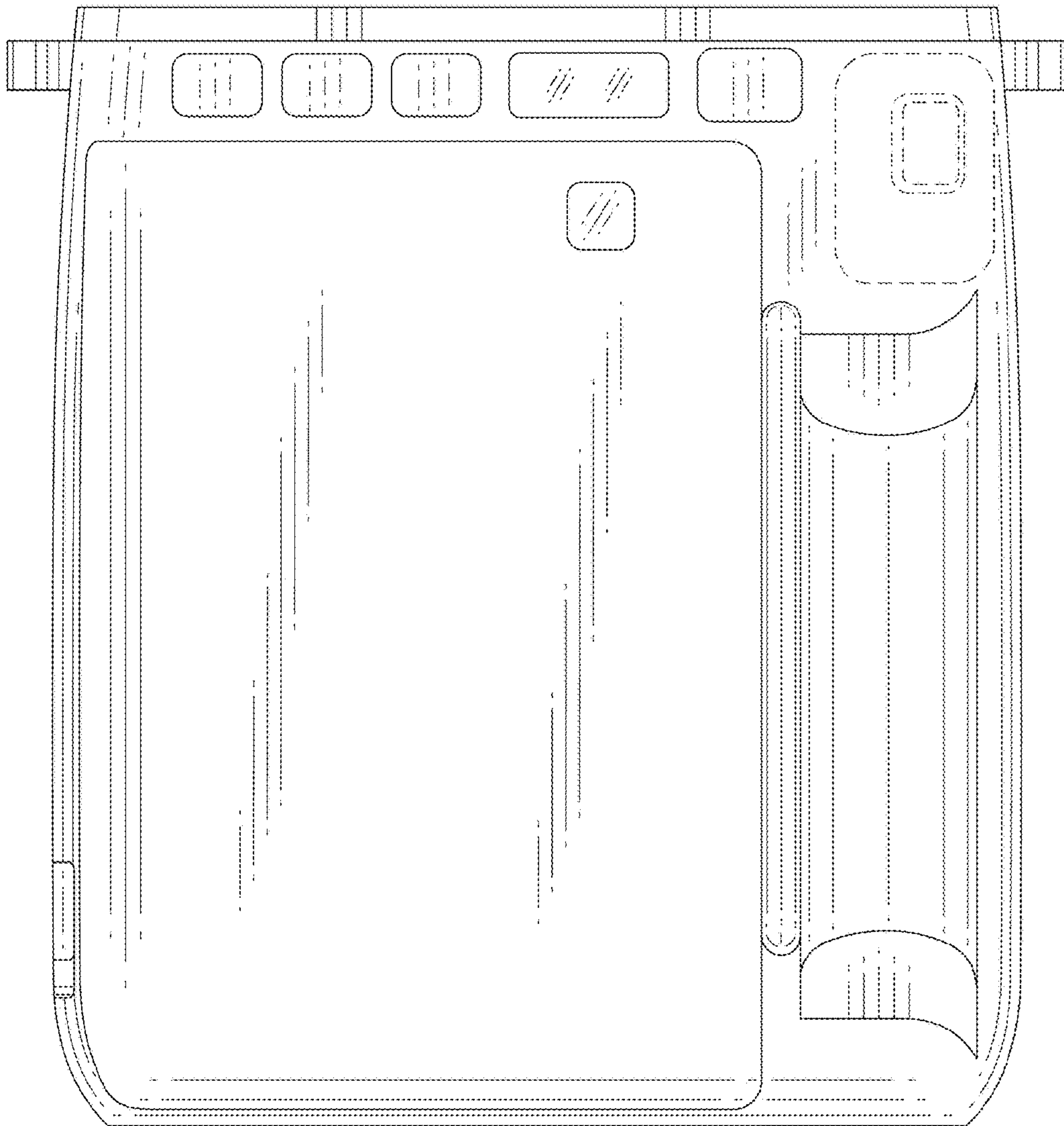


FIG. 5

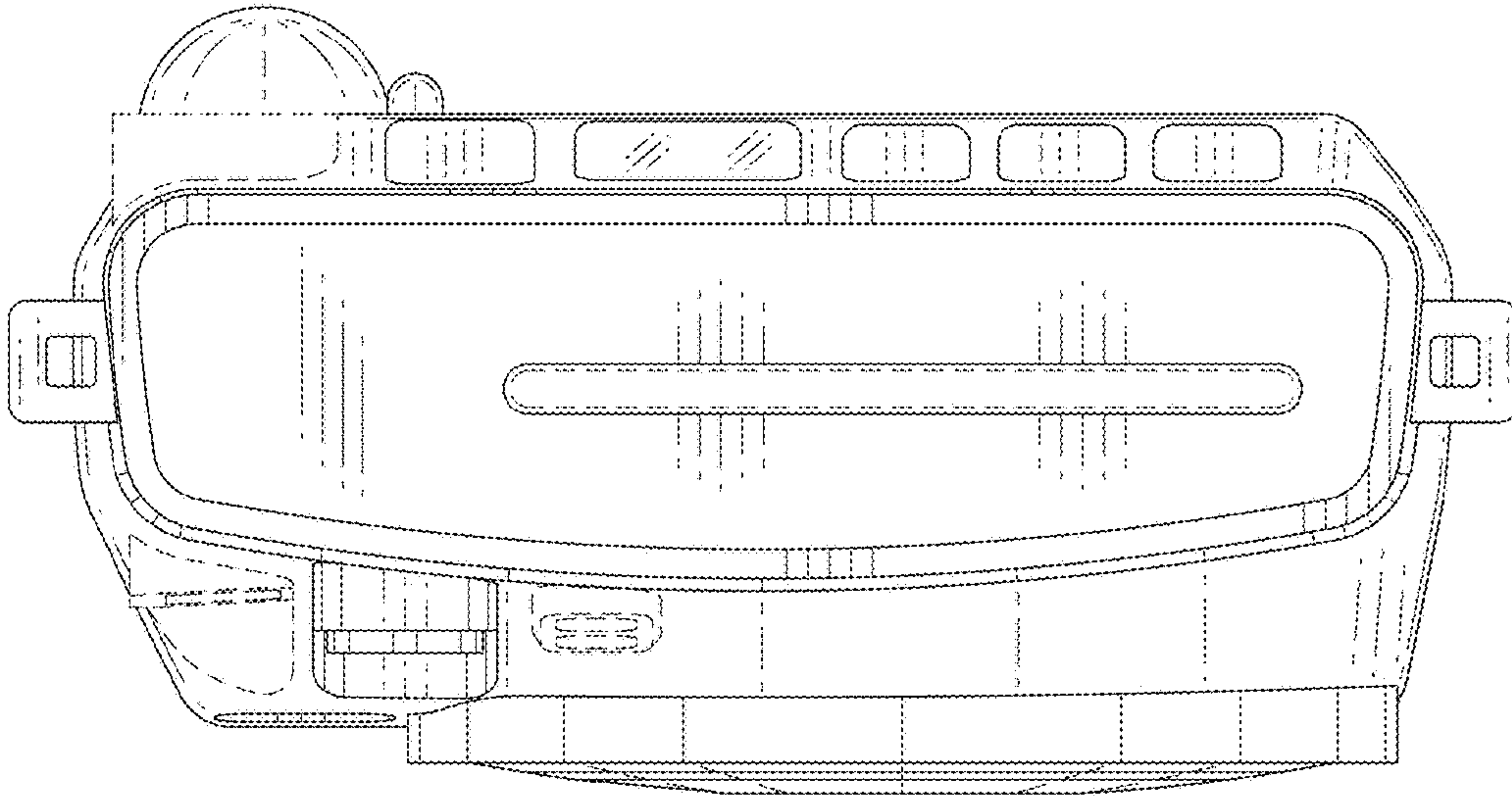


FIG. 6

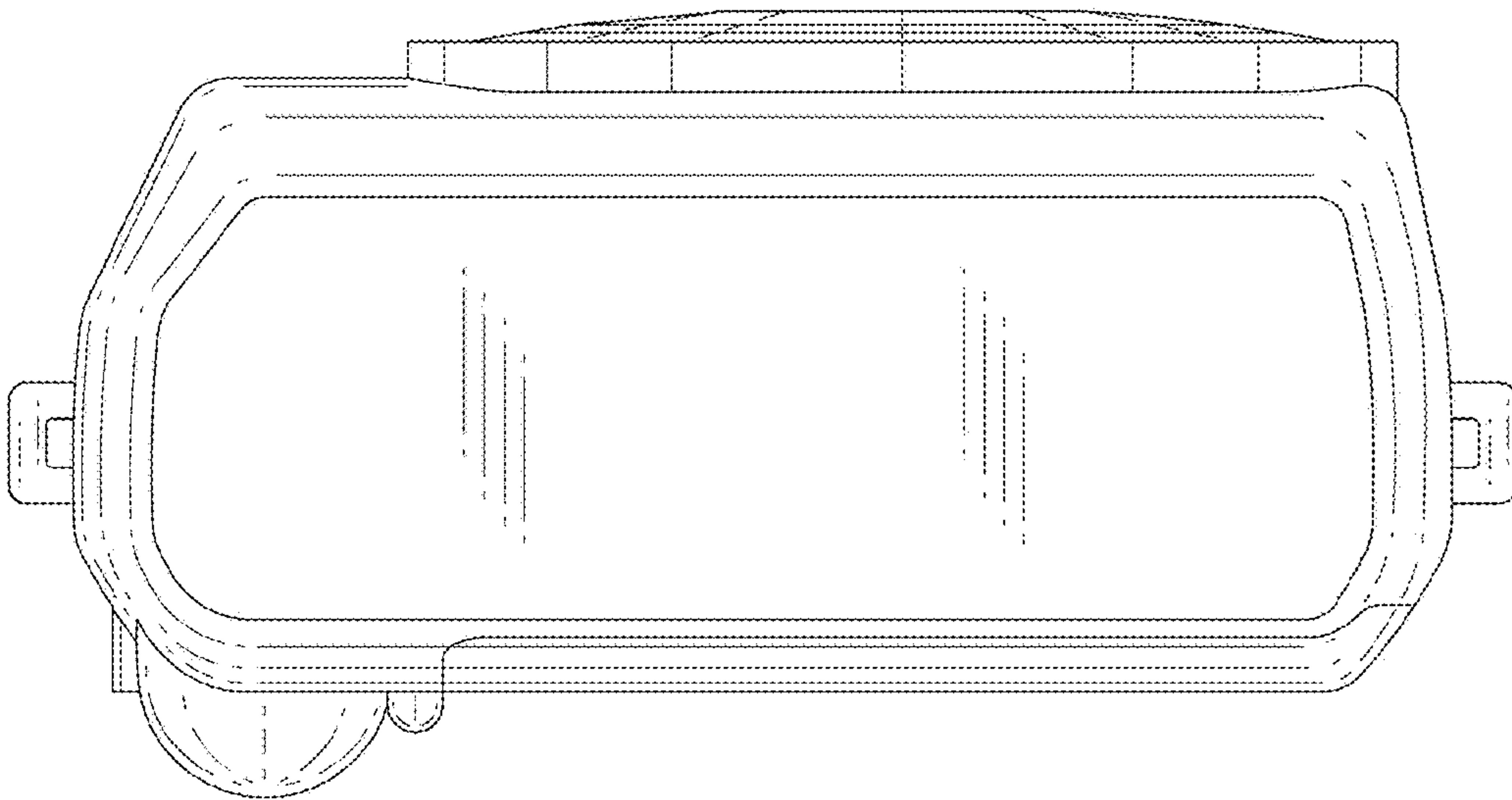


FIG. 7

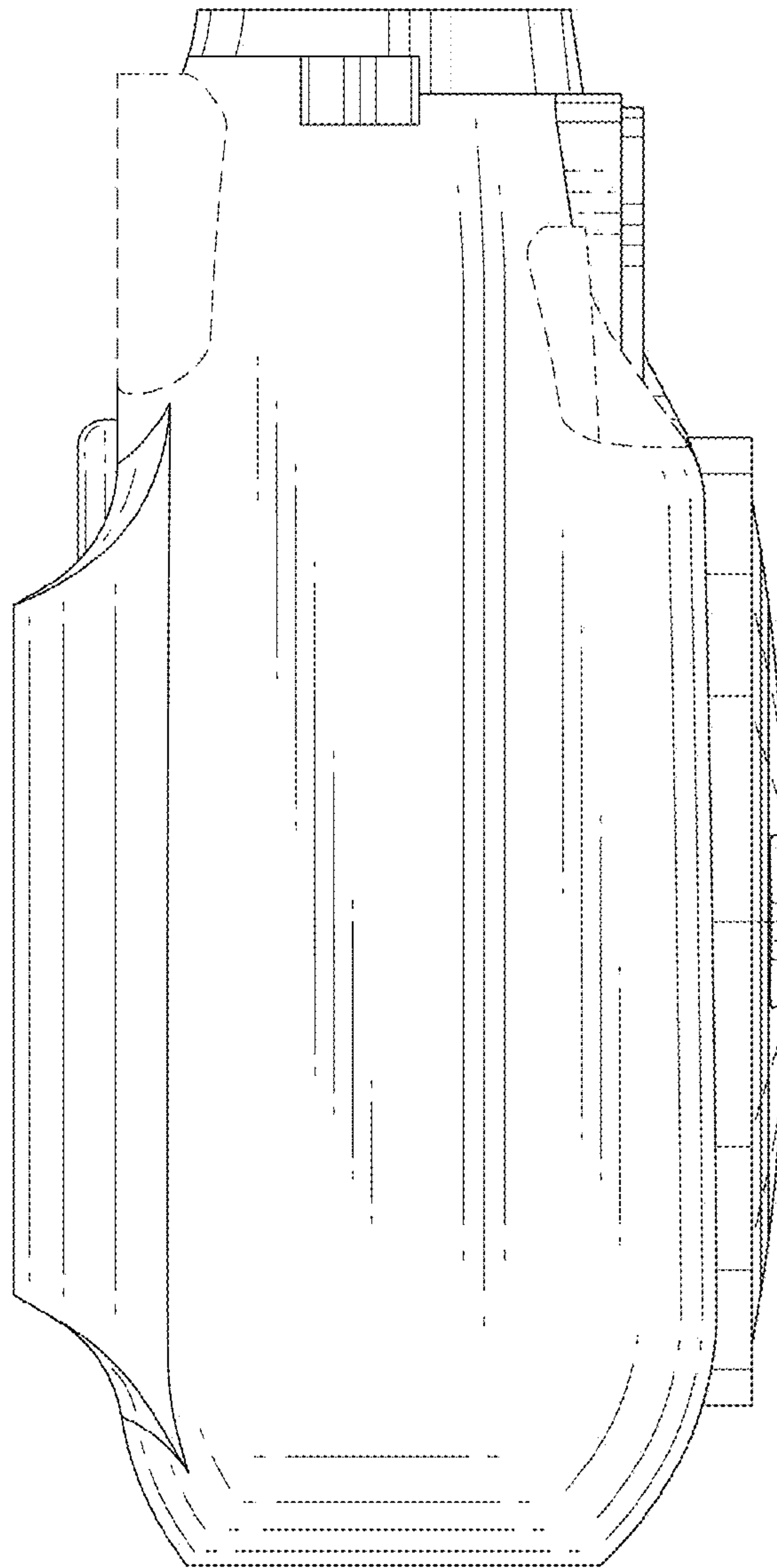




FIG. 8

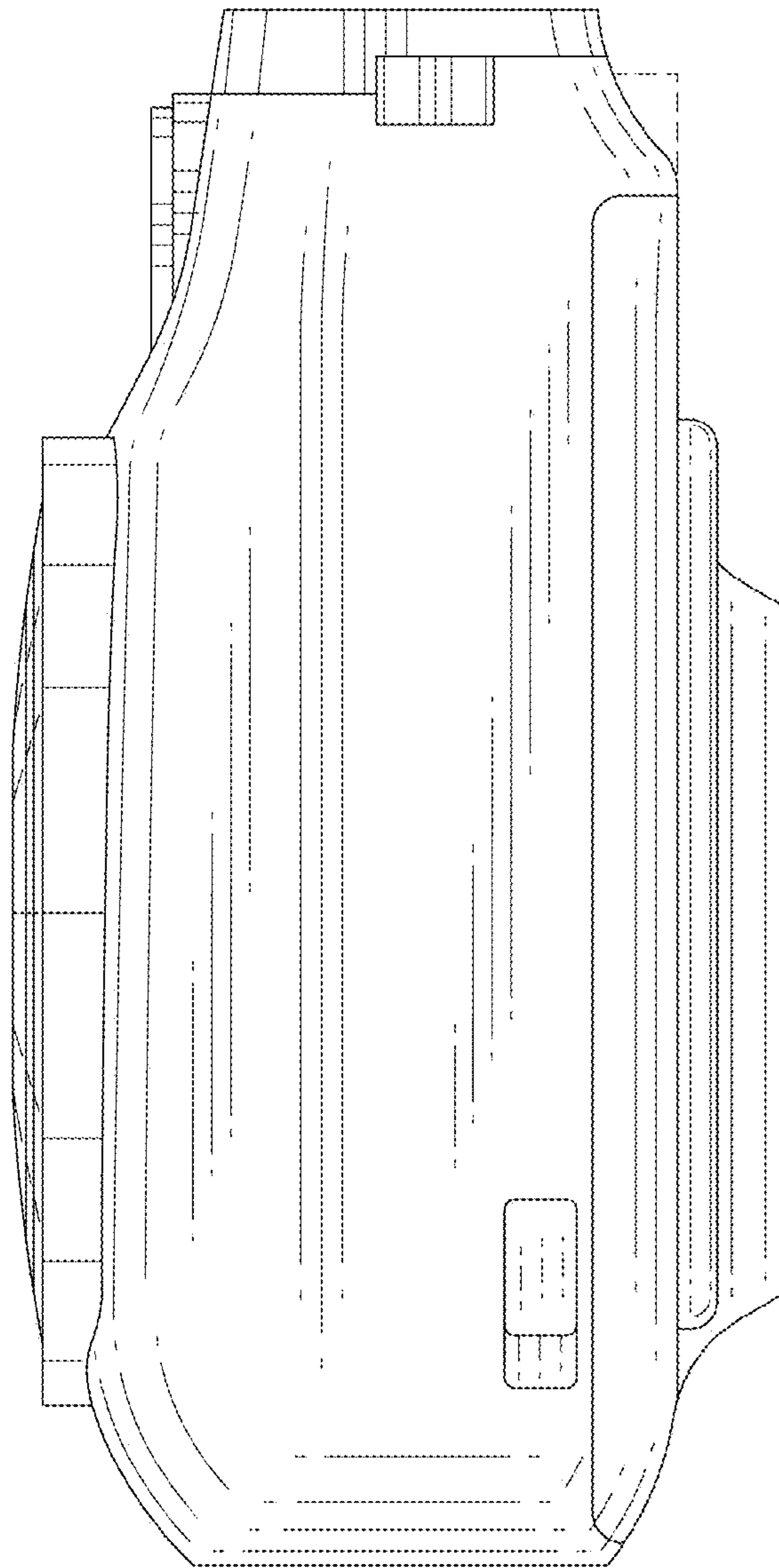


FIG. 9

