



US00D779575S

(12) **United States Design Patent**  
**Kobayashi**

(10) **Patent No.:** **US D779,575 S**

(45) **Date of Patent:** **\*\* Feb. 21, 2017**

(54) **DIGITAL CAMERA**

(71) Applicant: **Nikon Corporation**, Tokyo (JP)

(72) Inventor: **Tatsuya Kobayashi**, Tokyo (JP)

(73) Assignee: **Nikon Corporation**, Tokyo (JP)

(\*\*) Term: **15 Years**

(21) Appl. No.: **29/538,235**

(22) Filed: **Sep. 2, 2015**

(30) **Foreign Application Priority Data**

Mar. 6, 2015 (JP) ..... 2015-004958

(51) **LOC (10) Cl.** ..... **16-01**

(52) **U.S. Cl.**  
USPC ..... **D16/202**

(58) **Field of Classification Search**  
USPC ..... D16/200, 202–206, 208, 218, 219;  
348/373–376; 396/535, 539–541  
CPC ..... G03B 15/03; G03B 17/02; G03B 17/04;  
G03B 17/56; G03B 19/04; H04N 5/2251;  
H04N 5/2252; H04N 5/2253; H04N  
5/2254; H04N 2101/00  
See application file for complete search history.

(56) **References Cited**

**U.S. PATENT DOCUMENTS**

D631,496 S \* 1/2011 Tainaka ..... D16/202  
D657,408 S \* 4/2012 Tainaka ..... D16/202  
D681,710 S \* 5/2013 Sato ..... D16/200  
D689,111 S \* 9/2013 Kobayashi ..... D16/202

D695,807 S \* 12/2013 Tainaka ..... D16/202  
D698,839 S \* 2/2014 Sato ..... D16/200  
D701,257 S 3/2014 Ogawa  
D716,862 S \* 11/2014 Hoshi ..... D16/202  
D720,786 S 1/2015 Imamizu et al.  
D731,572 S \* 6/2015 Nohara ..... D16/202  
2011/0109790 A1 \* 5/2011 Shinohara ..... G03B 17/14  
348/373  
2011/0298970 A1 \* 12/2011 Shinohara ..... G03B 17/14  
348/373

\* cited by examiner

*Primary Examiner* — Philip S Hyder

*Assistant Examiner* — Ramzi Almatrahi

(74) *Attorney, Agent, or Firm* — Wolf, Greenfield & Sacks, P.C.

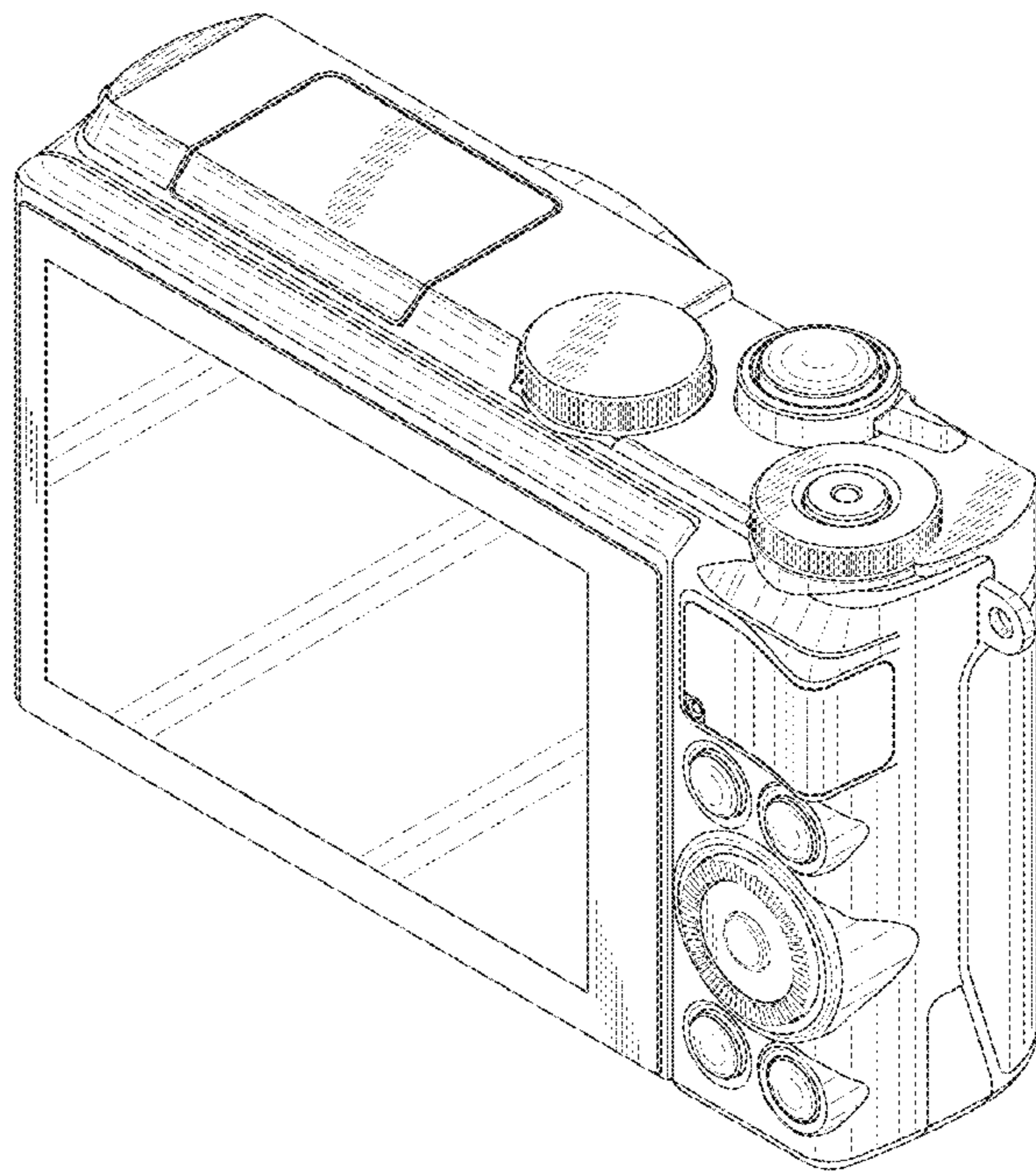
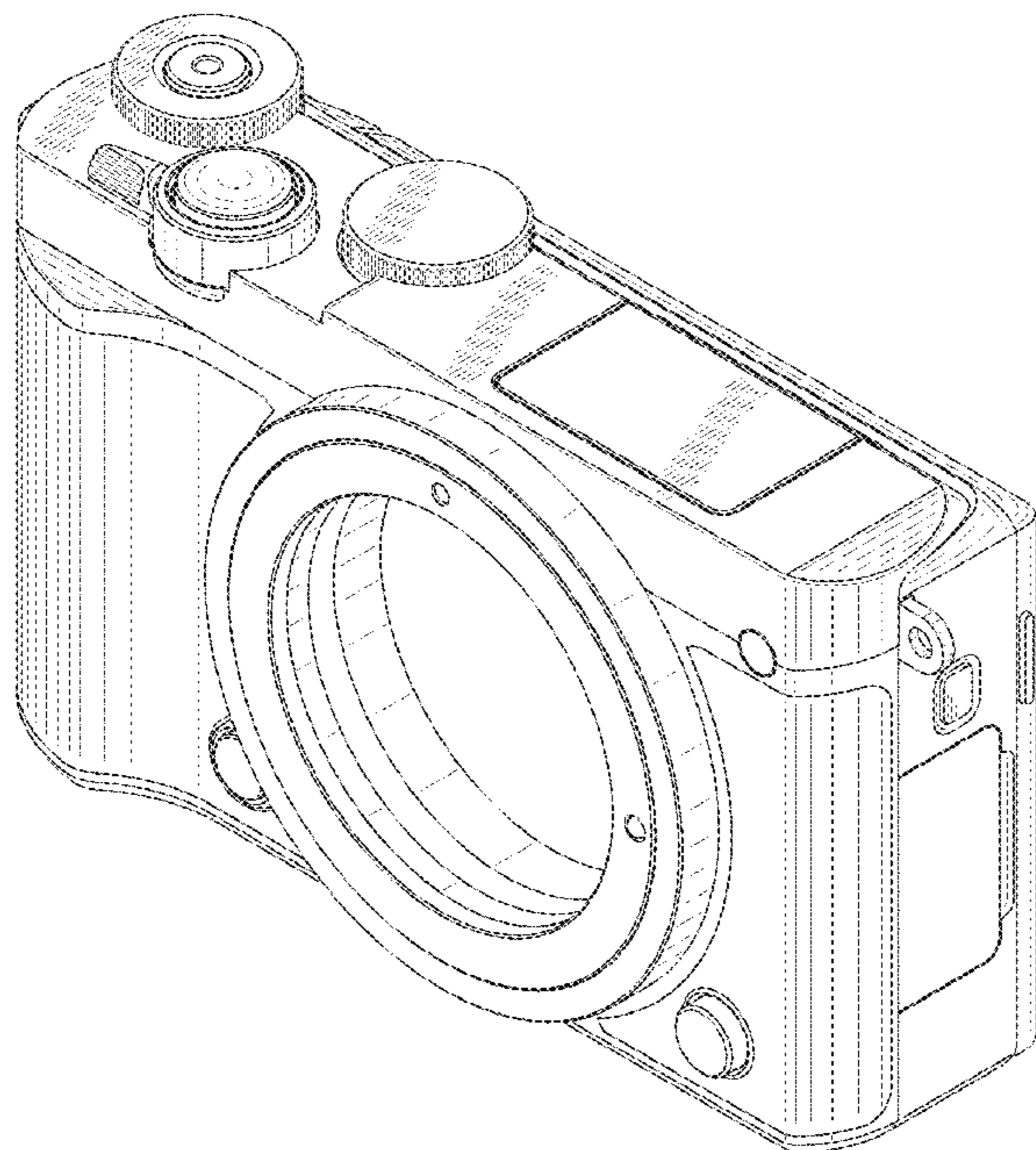
(57) **CLAIM**

The ornamental design for a digital camera, as shown and described.

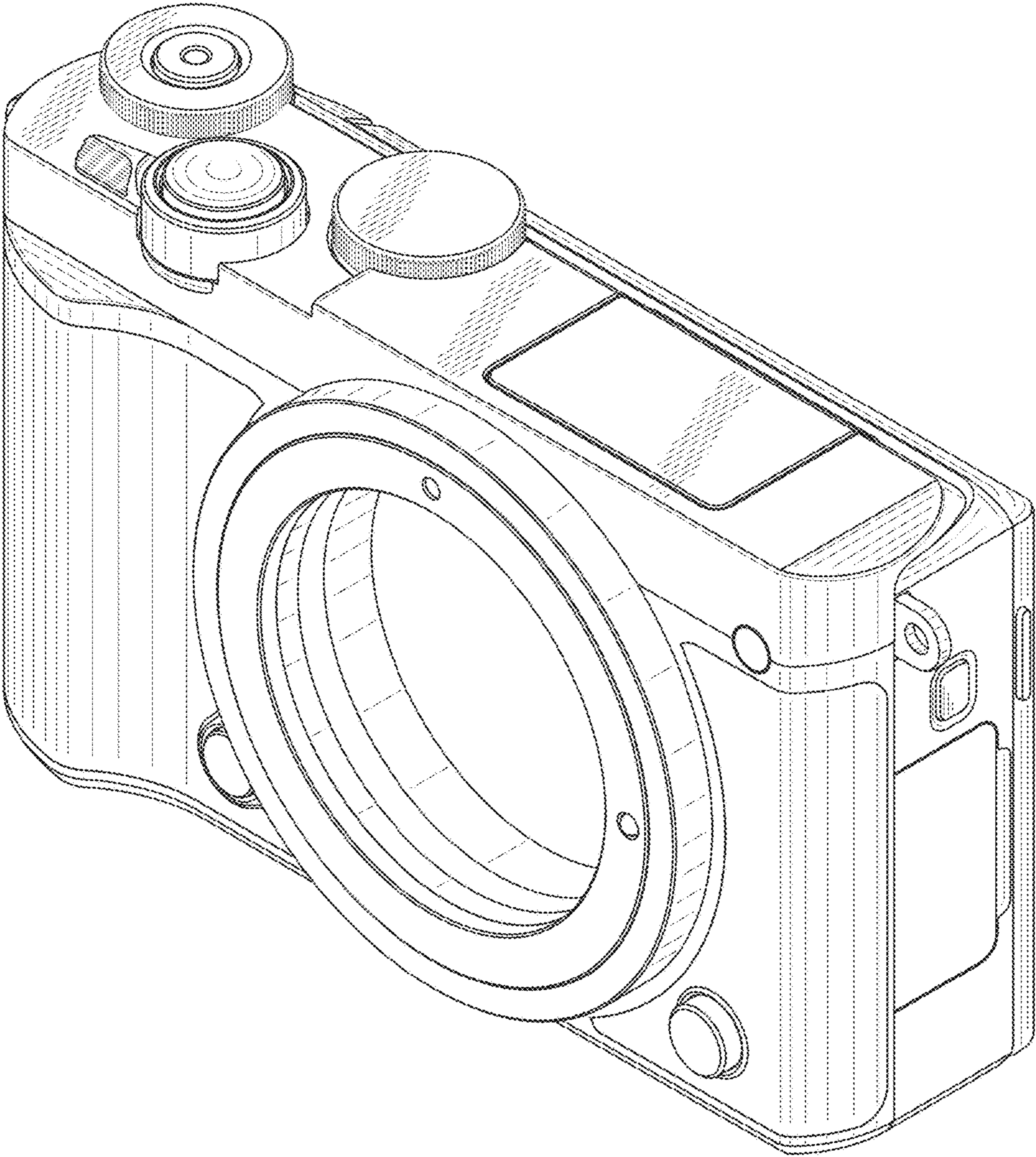
**DESCRIPTION**

FIG. 1 is a front, top and right side perspective view of a digital camera showing my new design;  
FIG. 2 is a rear, top and left side perspective view thereof;  
FIG. 3 is a front view thereof;  
FIG. 4 is a rear view thereof;  
FIG. 5 is a top plan view thereof;  
FIG. 6 is a bottom plan view thereof;  
FIG. 7 is a right side view thereof; and,  
FIG. 8 is a left side view thereof.  
The broken lines depict portions of a digital camera in which the design is embodied that form no part of the claimed design.

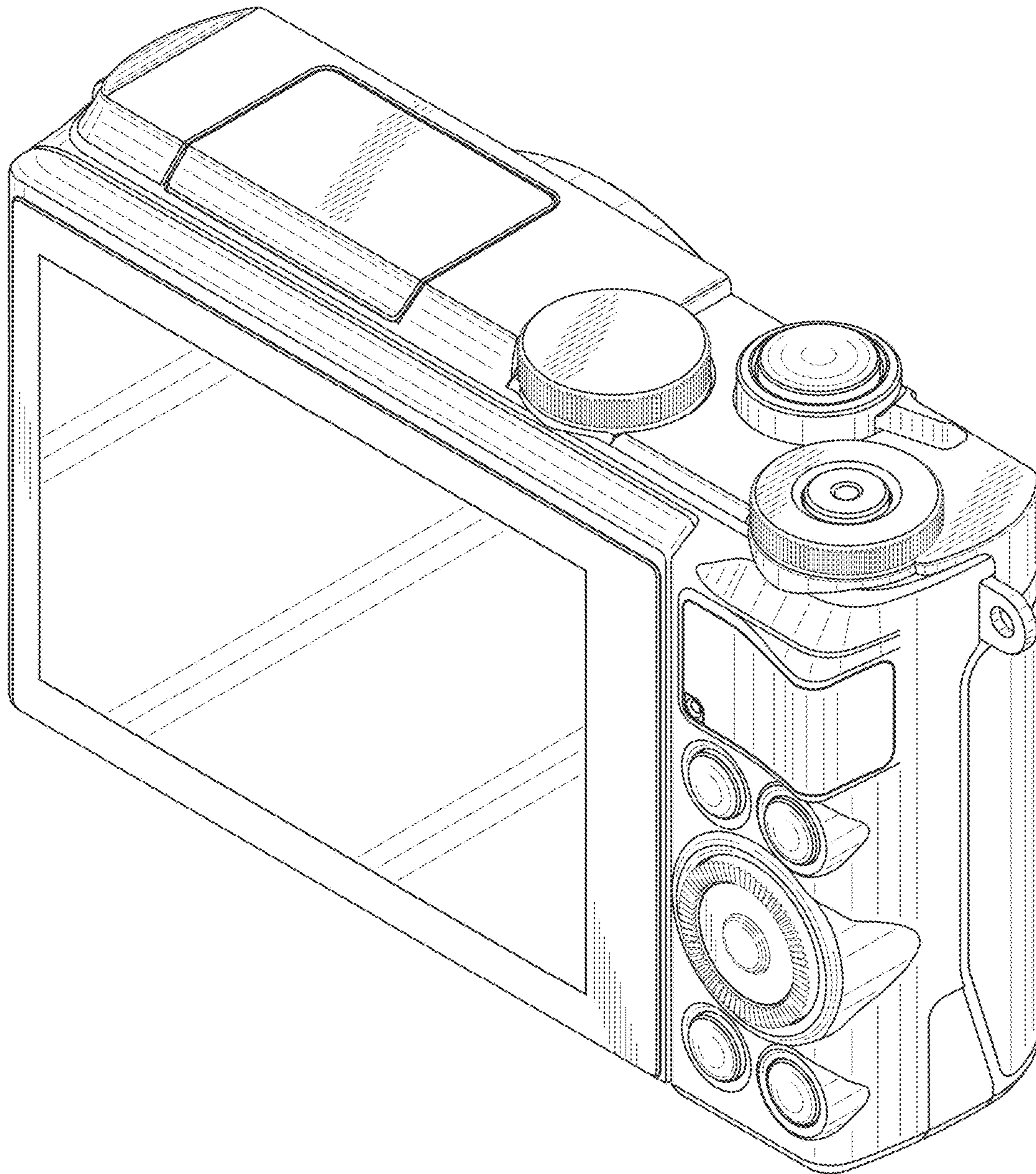
**1 Claim, 8 Drawing Sheets**



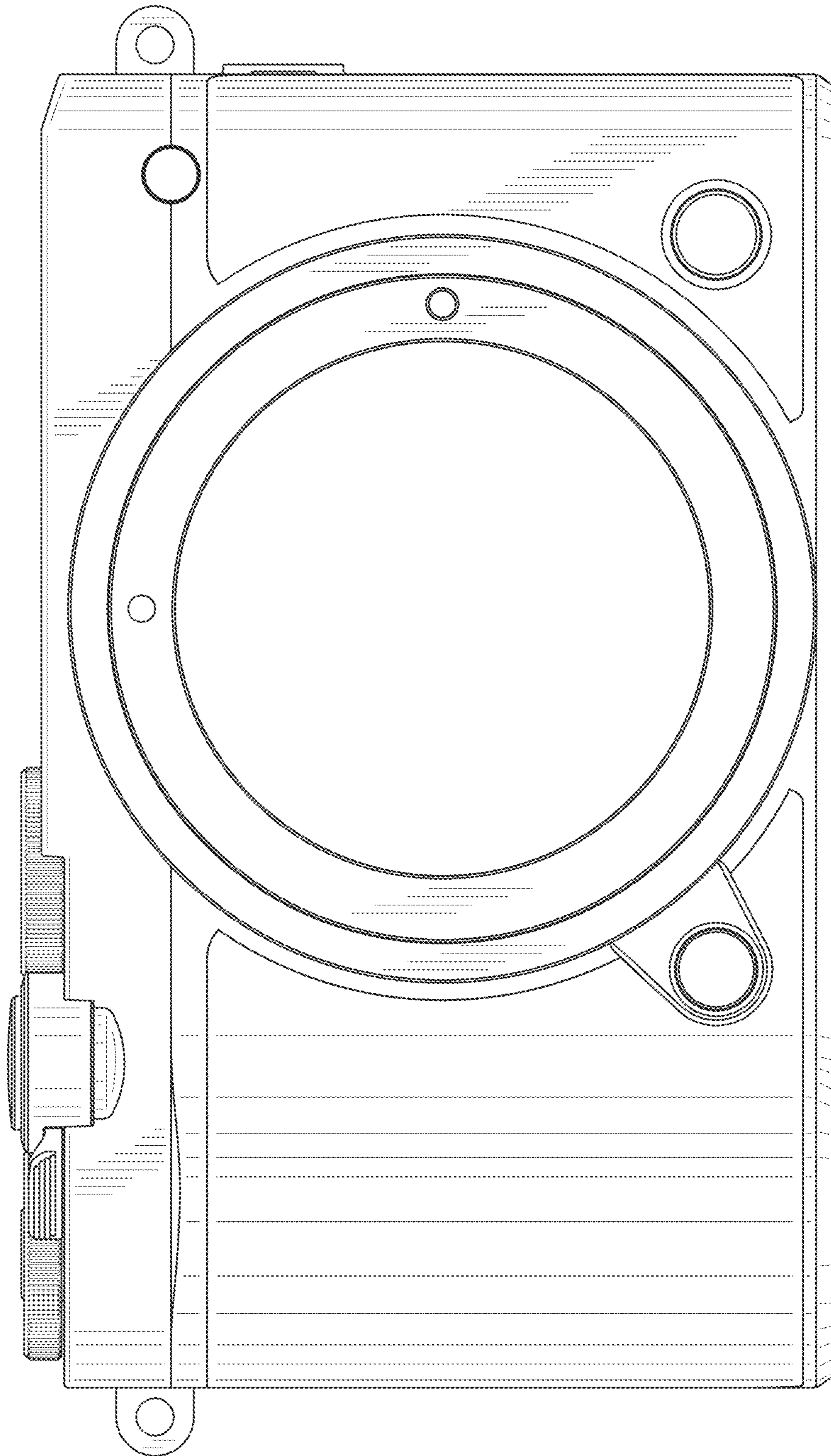
*FIG. 1*



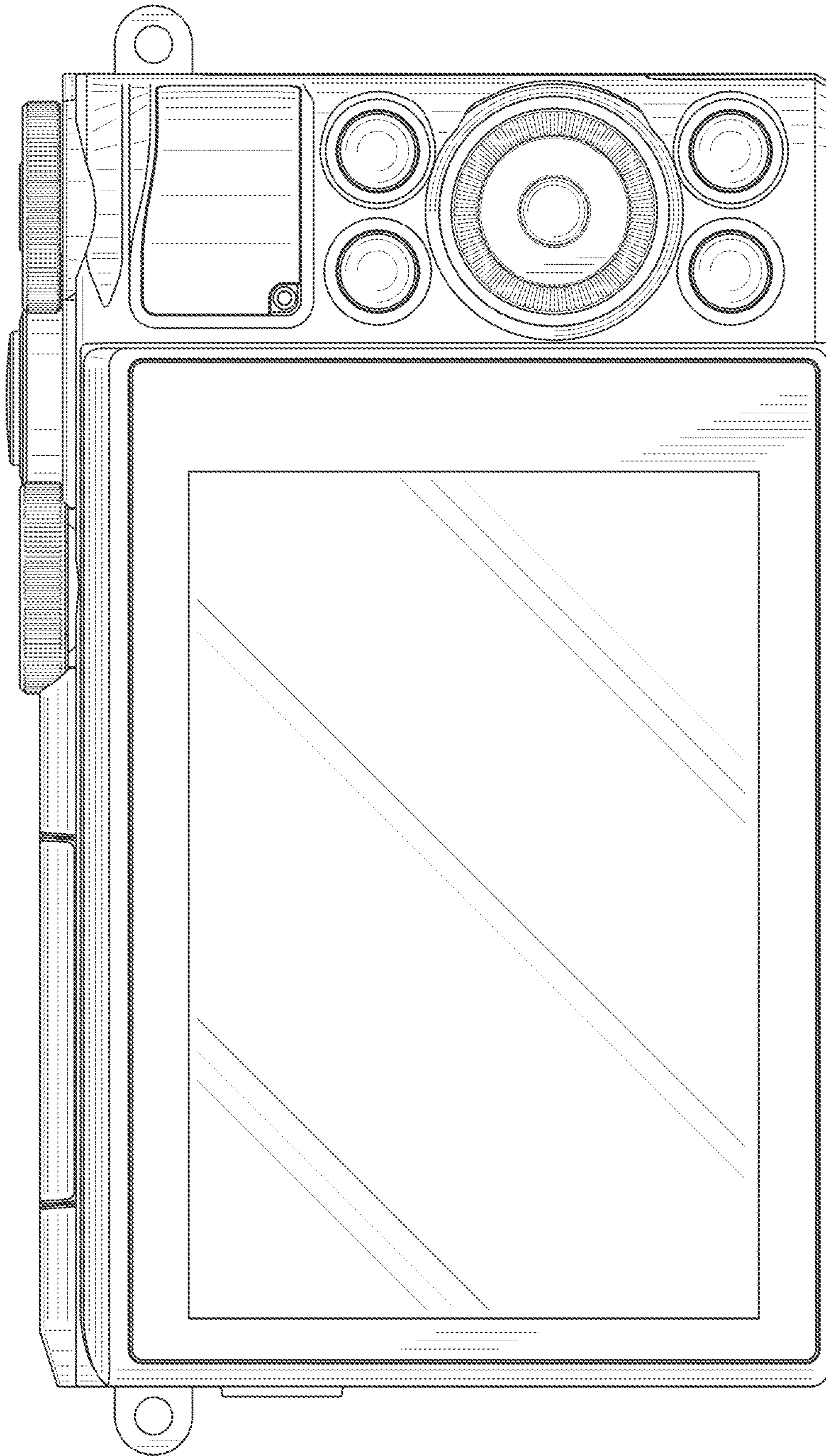
*FIG. 2*



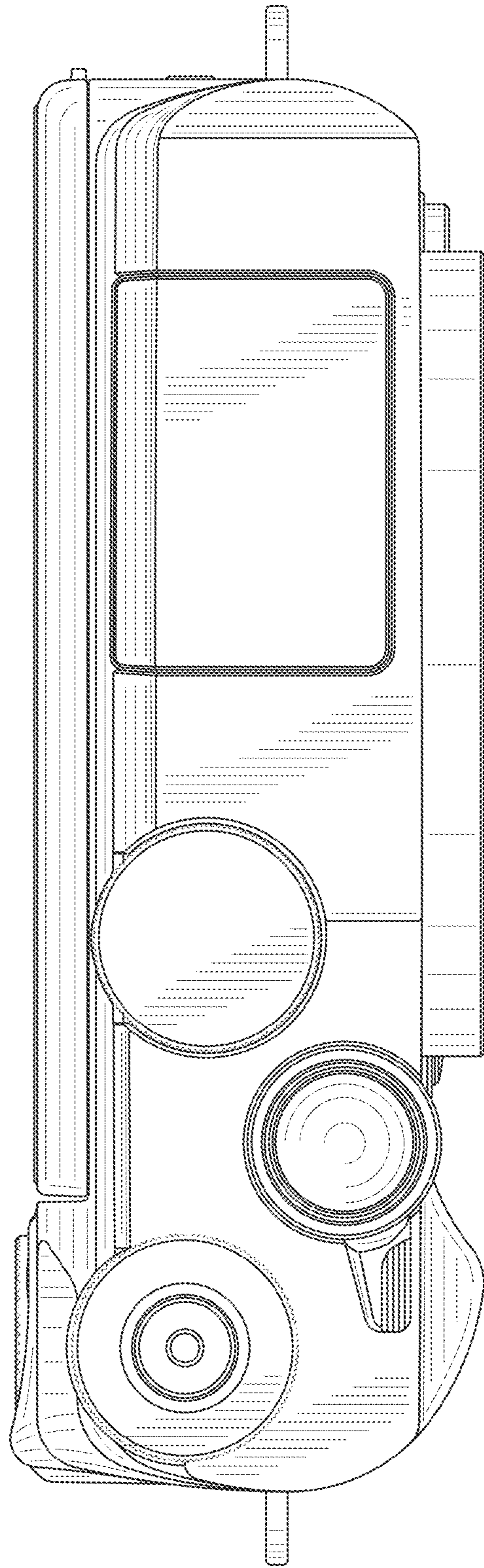
*FIG. 3*



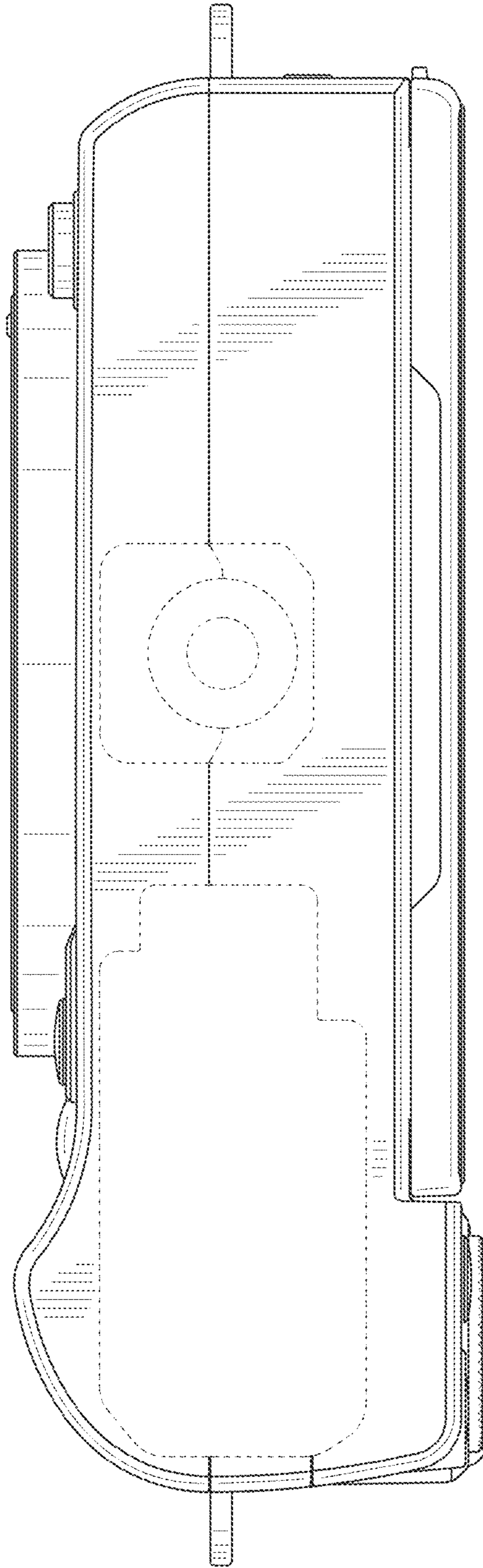
*FIG. 4*



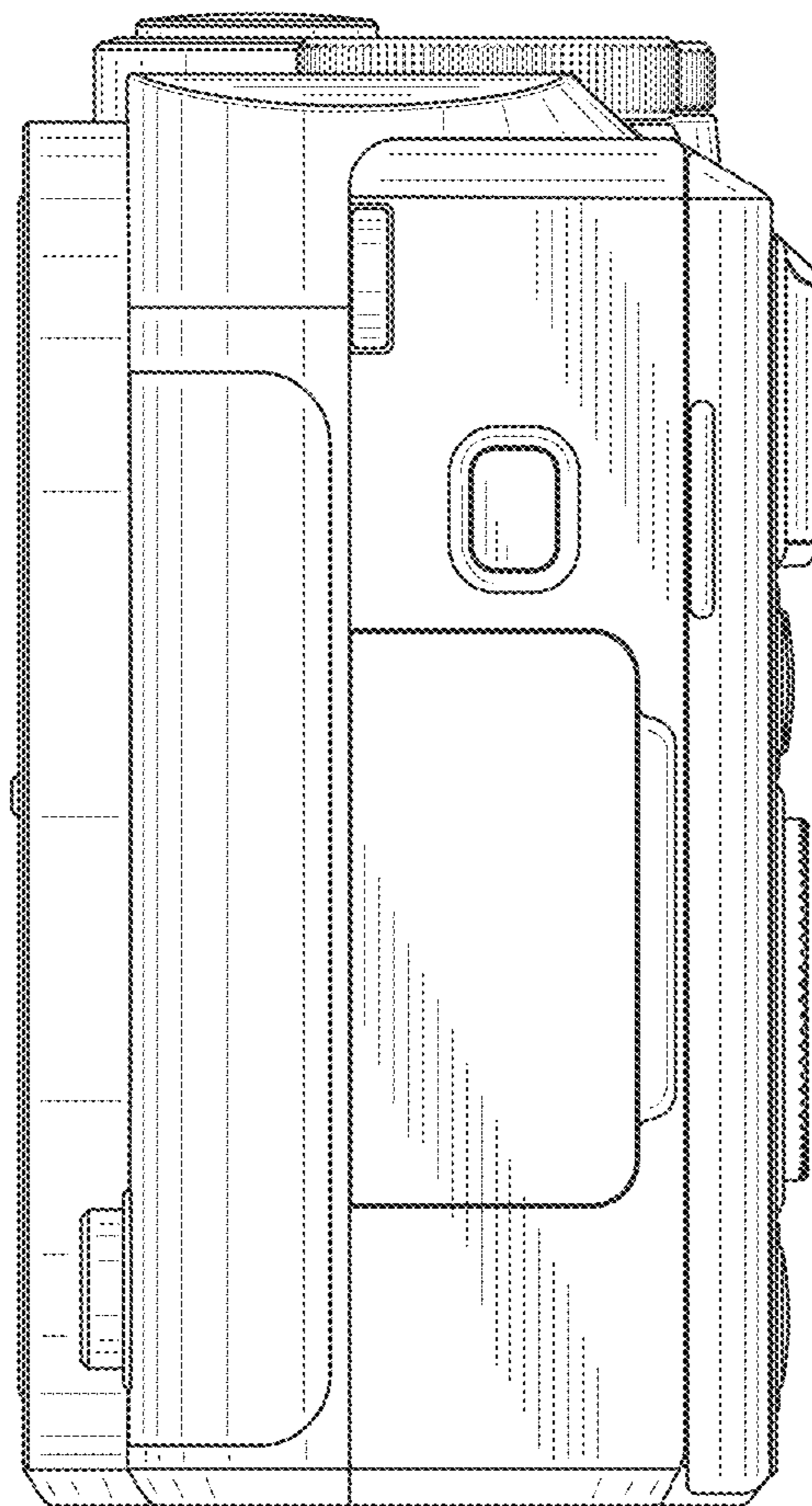
*FIG. 5*



*FIG. 6*



*FIG. 7*





*FIG. 8*

