



US00D779574S

(12) **United States Design Patent**
Nakajima

(10) **Patent No.:** **US D779,574 S**

(45) **Date of Patent:** **** Feb. 21, 2017**

(54) **DIGITAL CAMERA**

(71) Applicant: **Nikon Corporation**, Tokyo (JP)

(72) Inventor: **Mitsuo Nakajima**, Kamakura (JP)

(73) Assignee: **Nikon Corporation**, Tokyo (JP)

(**) Term: **15 Years**

(21) Appl. No.: **29/533,988**

(22) Filed: **Jul. 23, 2015**

(30) **Foreign Application Priority Data**

Jan. 29, 2015 (JP) 2015-001705

(51) **LOC (10) Cl.** **16-01**

(52) **U.S. Cl.**
USPC **D16/202**

(58) **Field of Classification Search**
USPC D16/200, 202–206, 208, 218, 219;
348/373–376; 396/535, 539–541
CPC G03B 15/03; G03B 17/02; G03B 17/04;
G03B 17/56; G03B 19/04; H04N 5/2251;
H04N 5/2252; H04N 5/2253; H04N
5/2254; H04N 2101/00
See application file for complete search history.

(56) **References Cited**

U.S. PATENT DOCUMENTS

D631,496 S *	1/2011	Tainaka	D16/202
D633,934 S *	3/2011	Funakoshi	D16/202
D657,408 S *	4/2012	Tainaka	D16/202
D681,710 S *	5/2013	Sato	D16/200
D695,807 S *	12/2013	Tainaka	D16/202
D695,811 S	12/2013	Nohara	
D698,839 S *	2/2014	Sato	D16/200
D701,257 S *	3/2014	Ogawa	D16/202
D710,924 S	8/2014	Nohara	

D712,953 S *	9/2014	Nohara	D16/200
D716,862 S *	11/2014	Hoshi	D16/202
D720,786 S *	1/2015	Imamizu	D16/202
D731,572 S *	6/2015	Nohara	D16/202
2010/0013986 A1 *	1/2010	Yamamoto	G03B 17/02 348/375
2011/0109790 A1 *	5/2011	Shinohara	G03B 17/14 348/373

FOREIGN PATENT DOCUMENTS

JP	1441641 S	5/2012
JP	1511458 S	11/2014

* cited by examiner

Primary Examiner — Philip S Hyder

Assistant Examiner — Ramzi Almatrahi

(74) *Attorney, Agent, or Firm* — Wolf, Greenfield & Sacks, P.C.

(57) **CLAIM**

The ornamental design for a digital camera, as shown and described.

DESCRIPTION

FIG. 1 is a front, top and right side perspective view of a digital camera showing my new design;
FIG. 2 is a rear, top and left side perspective view thereof;
FIG. 3 is a front view thereof;
FIG. 4 is a rear view thereof;
FIG. 5 is a top plan view thereof;
FIG. 6 is a bottom plan view thereof;
FIG. 7 is a right side view thereof; and,
FIG. 8 is a left side view thereof.

The broken lines depict portions of a digital camera in which the design is embodied that form no part of the claimed design.

1 Claim, 8 Drawing Sheets

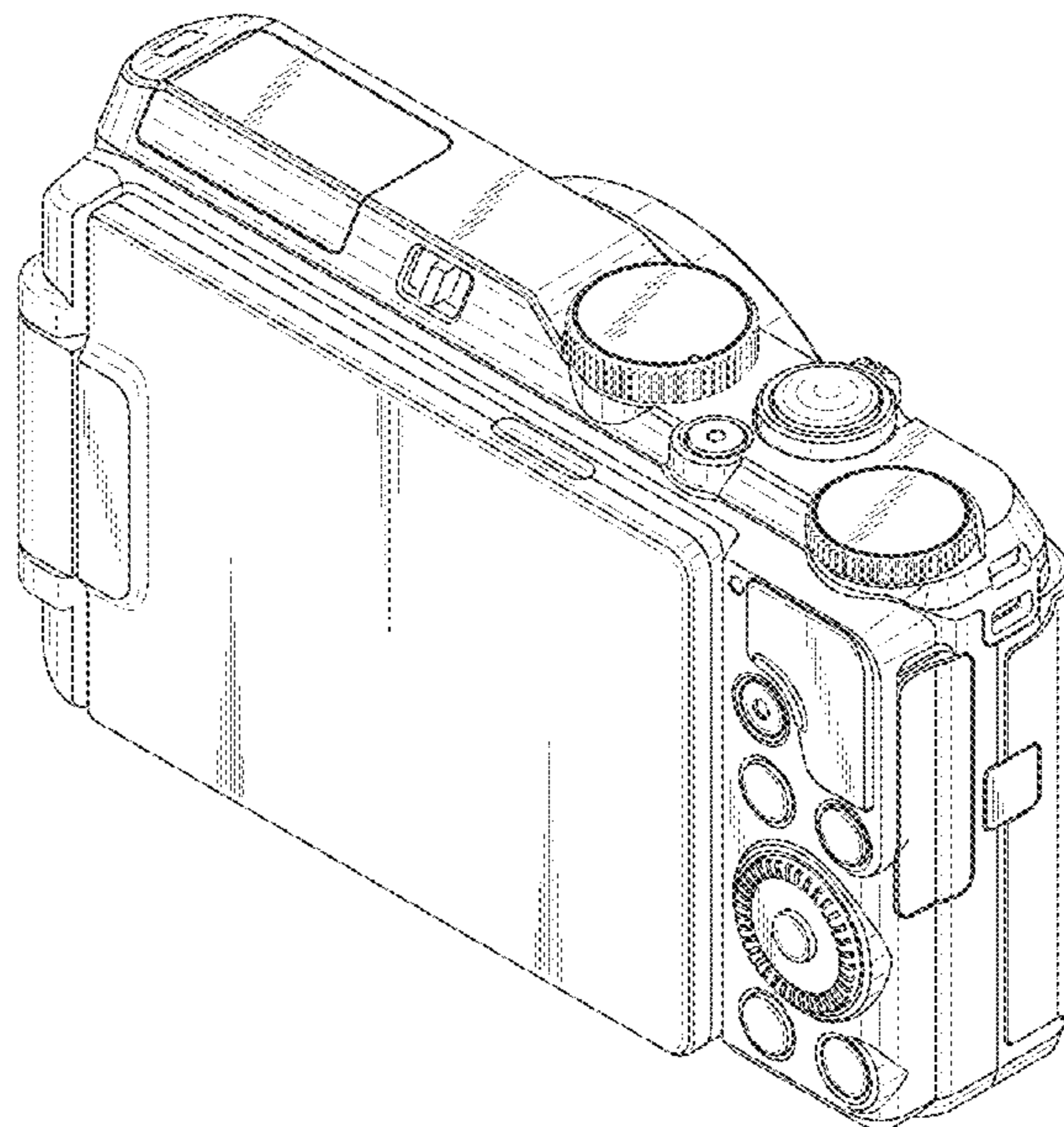
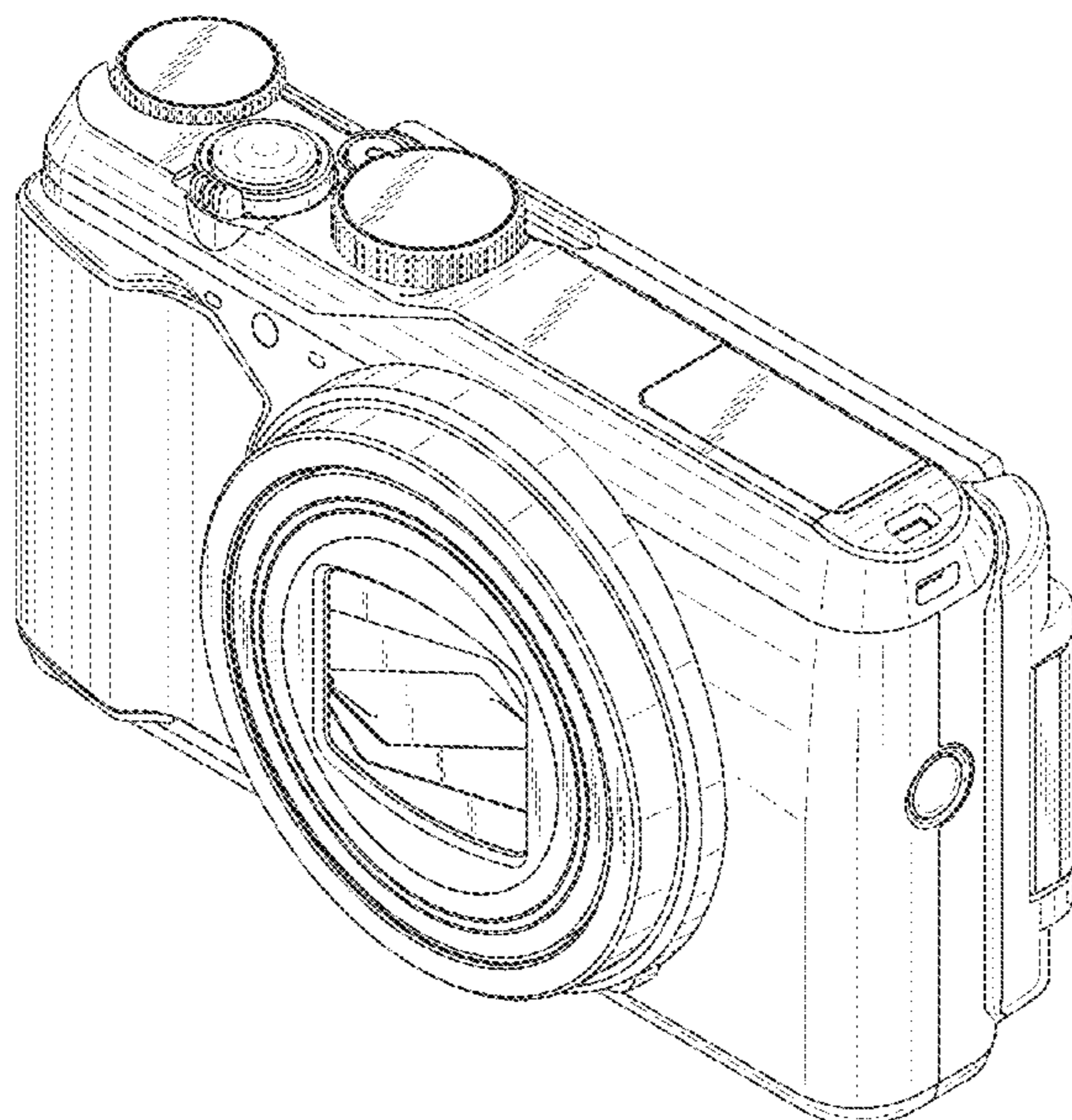


FIG. 1

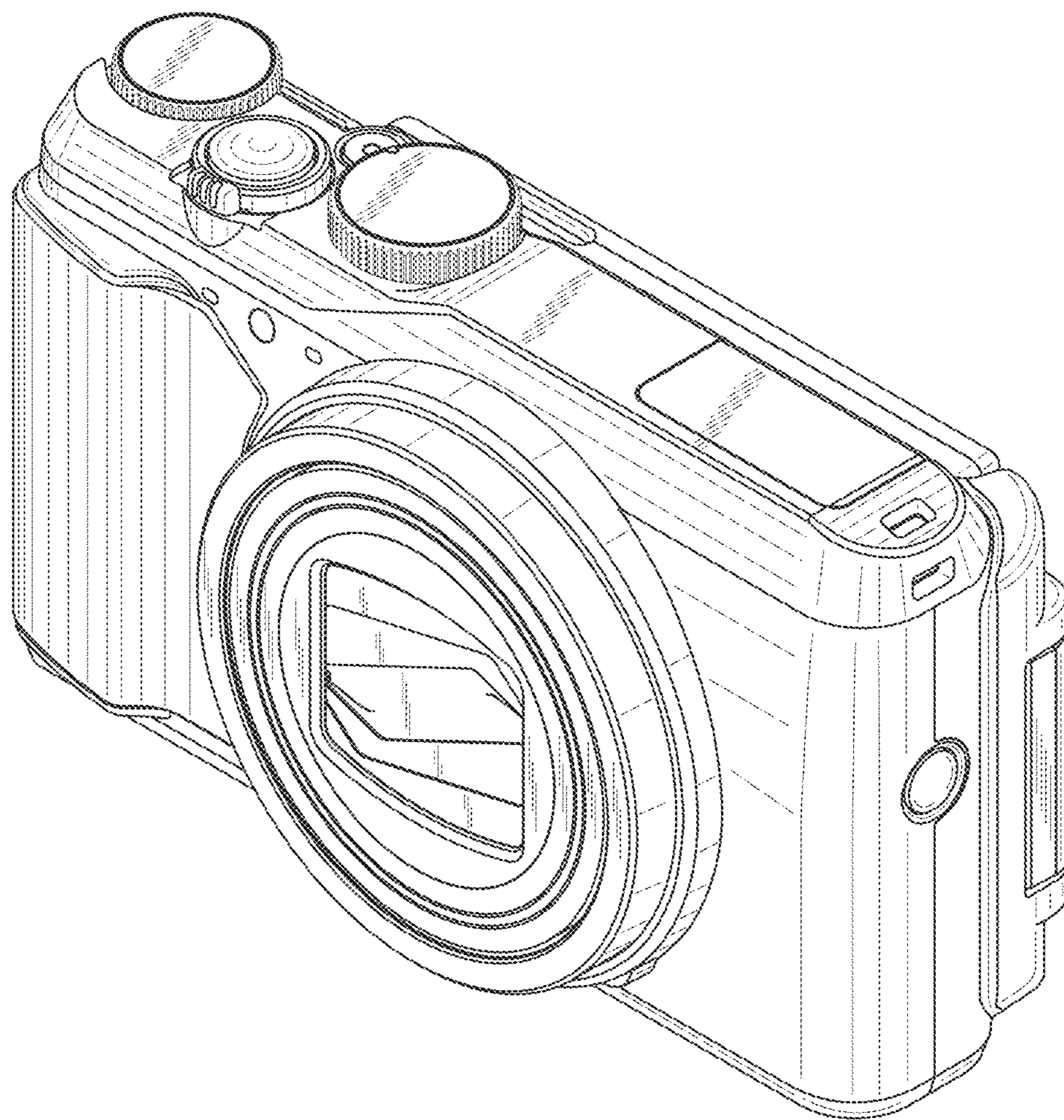


FIG. 2

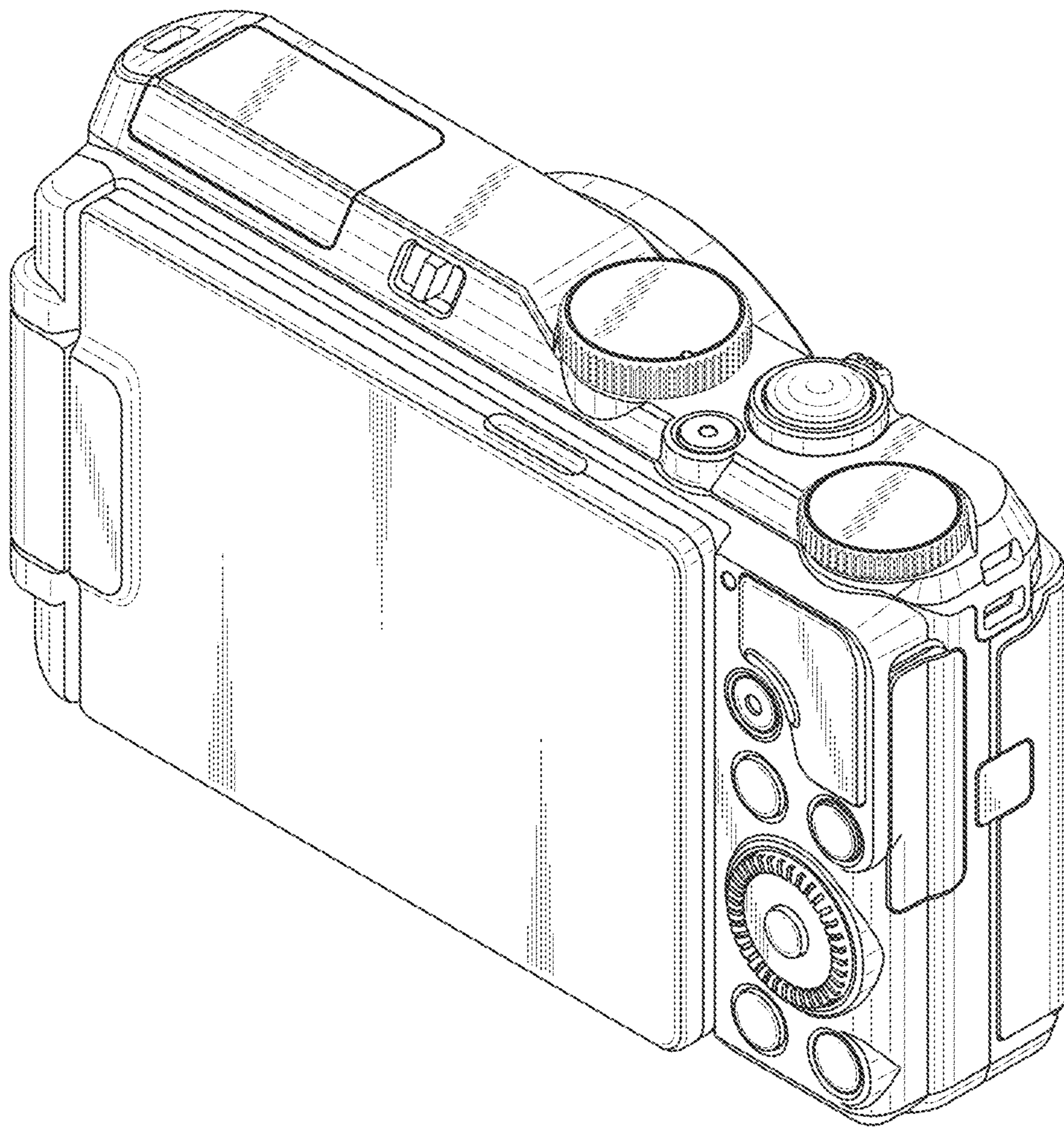


FIG. 3

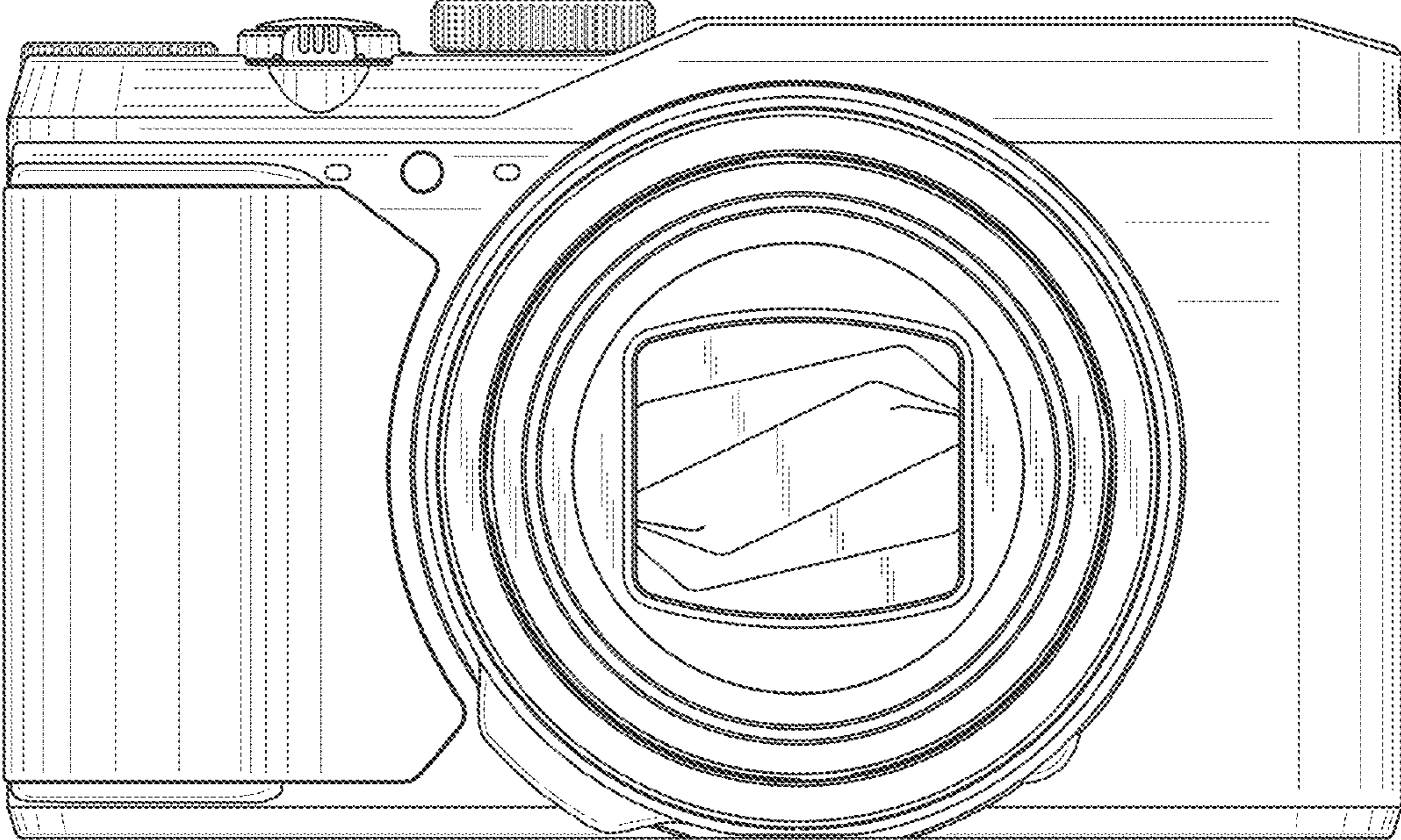


FIG. 4

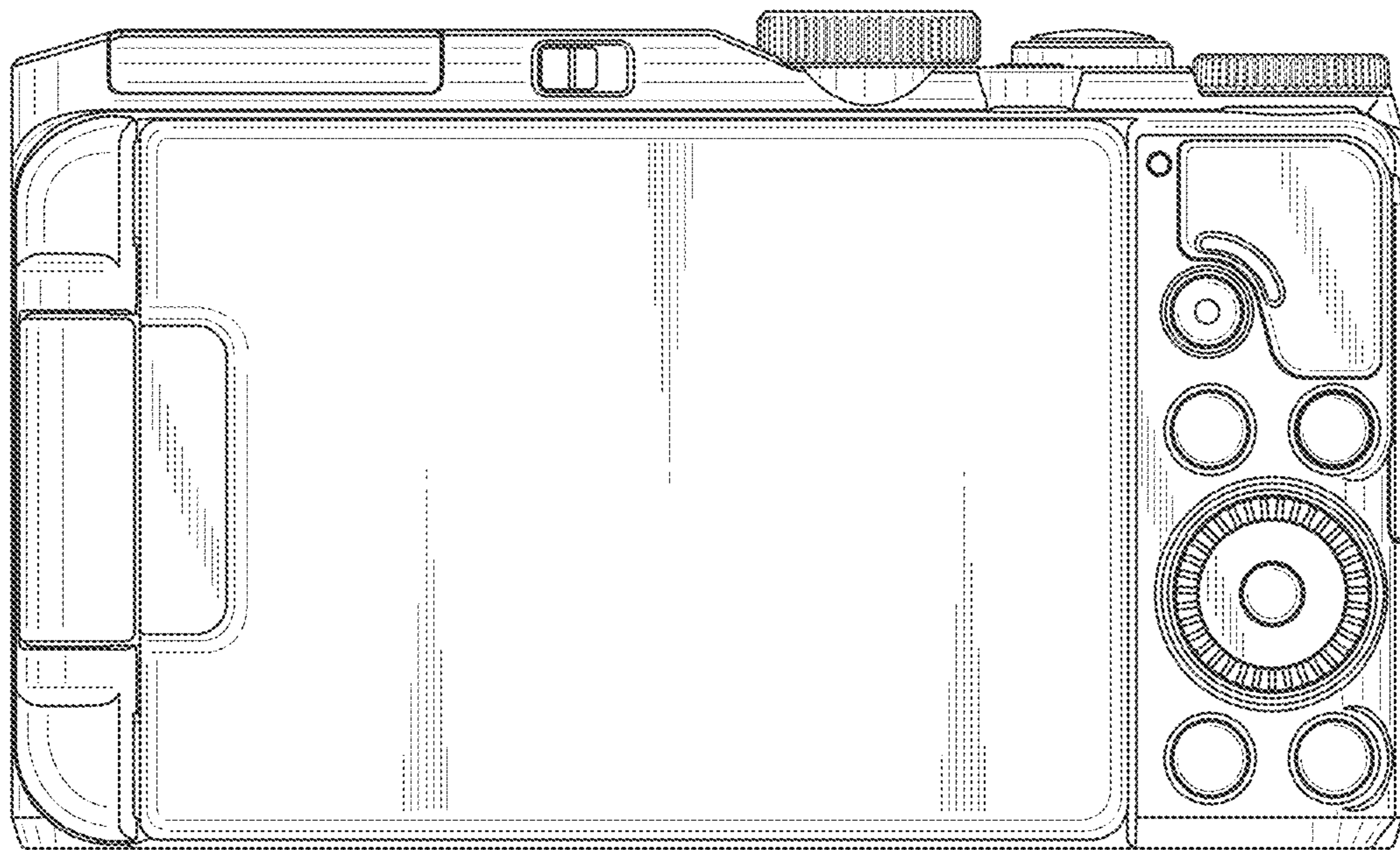


FIG. 5

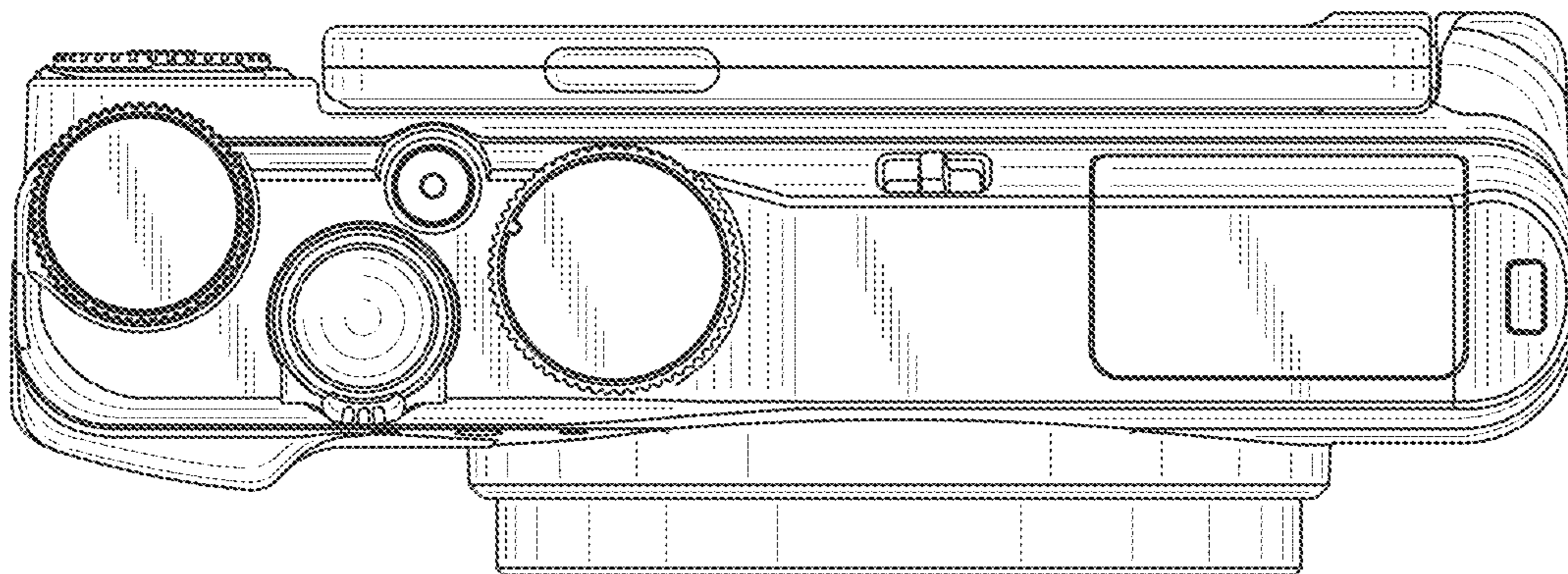


FIG. 6

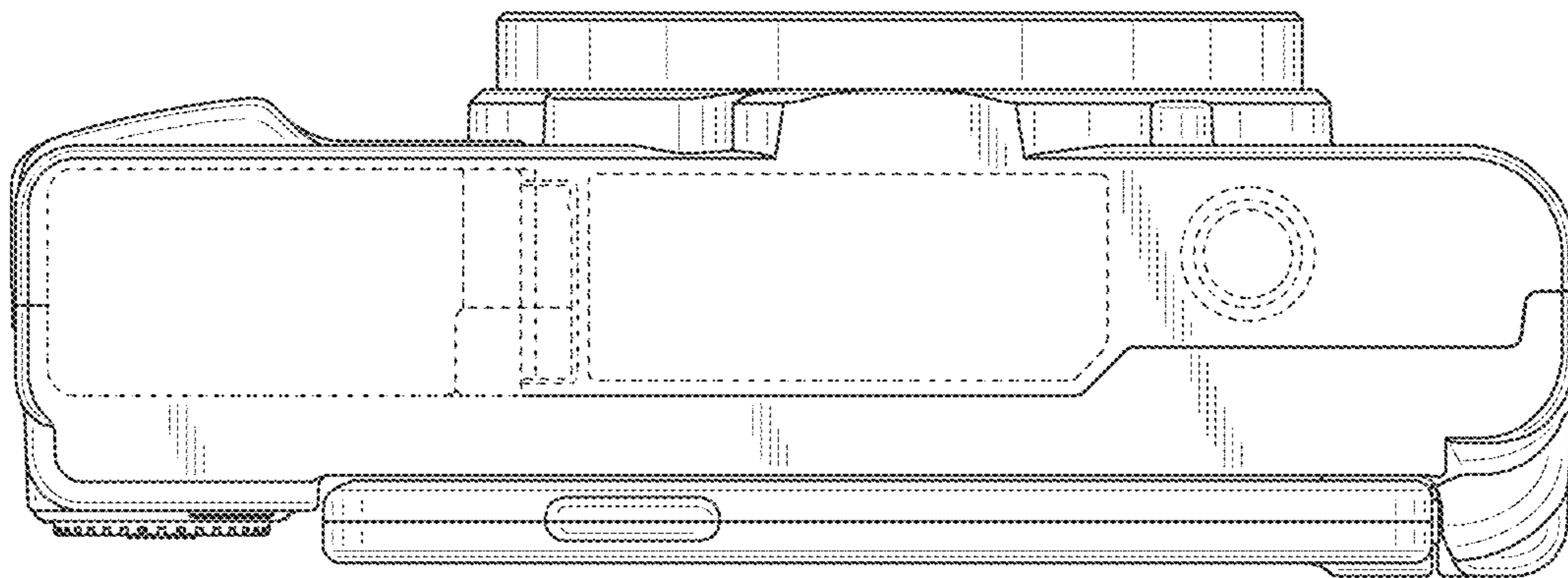


FIG. 7

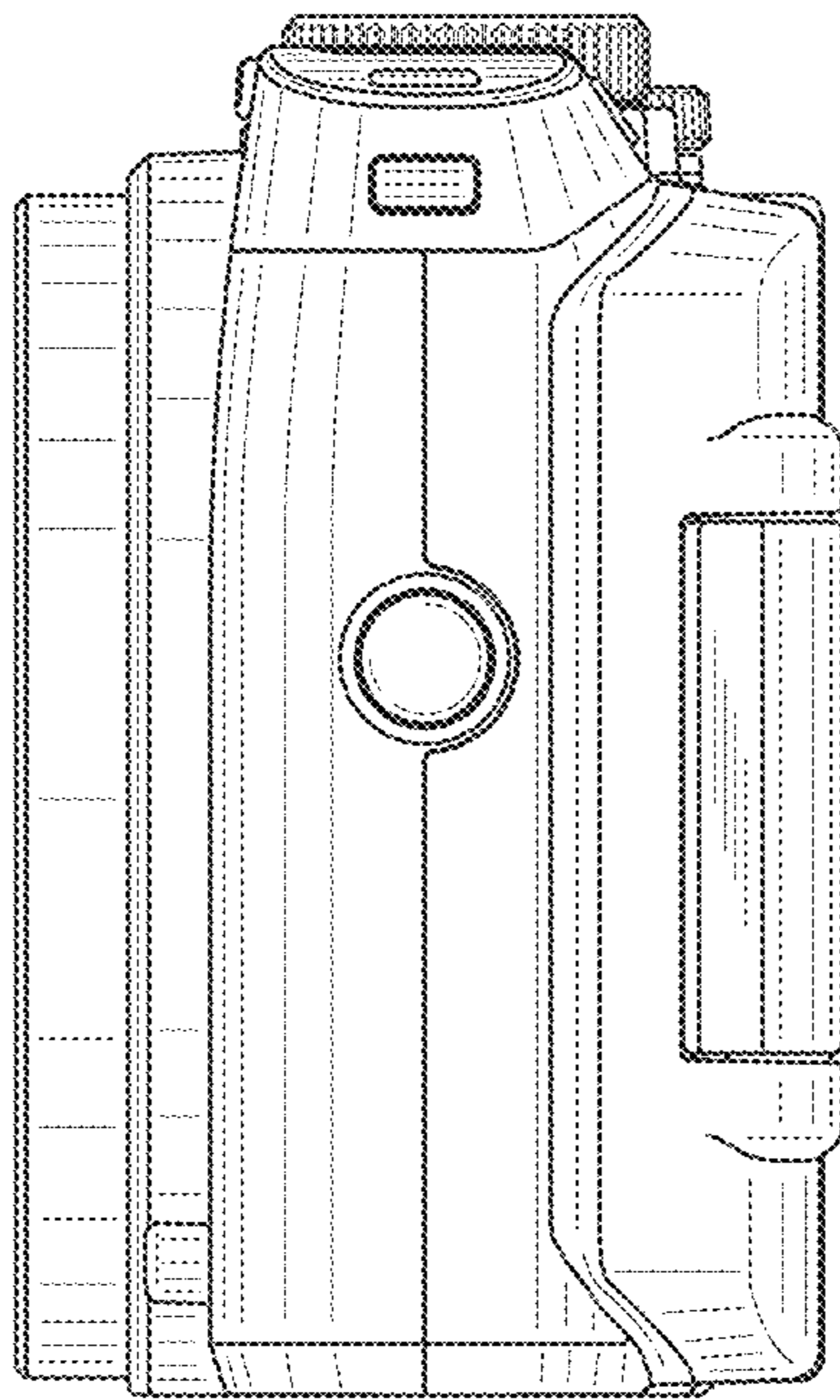


FIG. 8

