



US00D779573S

(12) **United States Design Patent**  
**Tahara et al.**

(10) **Patent No.:** **US D779,573 S**  
(45) **Date of Patent:** **\*\* Feb. 21, 2017**

- (54) **MOBILE 3D VIEWER**
- (71) Applicant: **REMEDIA Co., Ltd.**, Tokyo (JP)
- (72) Inventors: **Hirofumi Tahara**, Tokyo (JP); **Yutaka Nakanishi**, Tokyo (JP)
- (73) Assignee: **REMEDIA Co., Ltd.**, Tokyo (JP)
- (\*\*) Term: **14 Years**
- (21) Appl. No.: **29/522,672**
- (22) Filed: **Apr. 1, 2015**
- (51) **LOC (10) Cl.** ..... **16-99**
- (52) **U.S. Cl.**  
USPC ..... **D16/130**
- (58) **Field of Classification Search**  
USPC ..... D16/221, 222, 227, 133; 40/361, 362,  
40/364, 366, 367; 348/54, 42; 353/6, 7;  
359/462, 463, 466, 467, 477  
See application file for complete search history.

- 4,669,833 A \* 6/1987 Mise ..... G02B 23/16  
359/420
- D323,180 S \* 1/1992 Bush ..... D16/222
- 5,080,688 A \* 1/1992 Cohen ..... C09B 67/0038  
351/159.3
- 5,309,281 A \* 5/1994 Rover ..... G02B 27/2257  
359/474

(Continued)

*Primary Examiner* — Susan Bennett Hattan  
*Assistant Examiner* — Jennifer Wright  
(74) *Attorney, Agent, or Firm* — Konomi Takeshita

(57) **CLAIM**

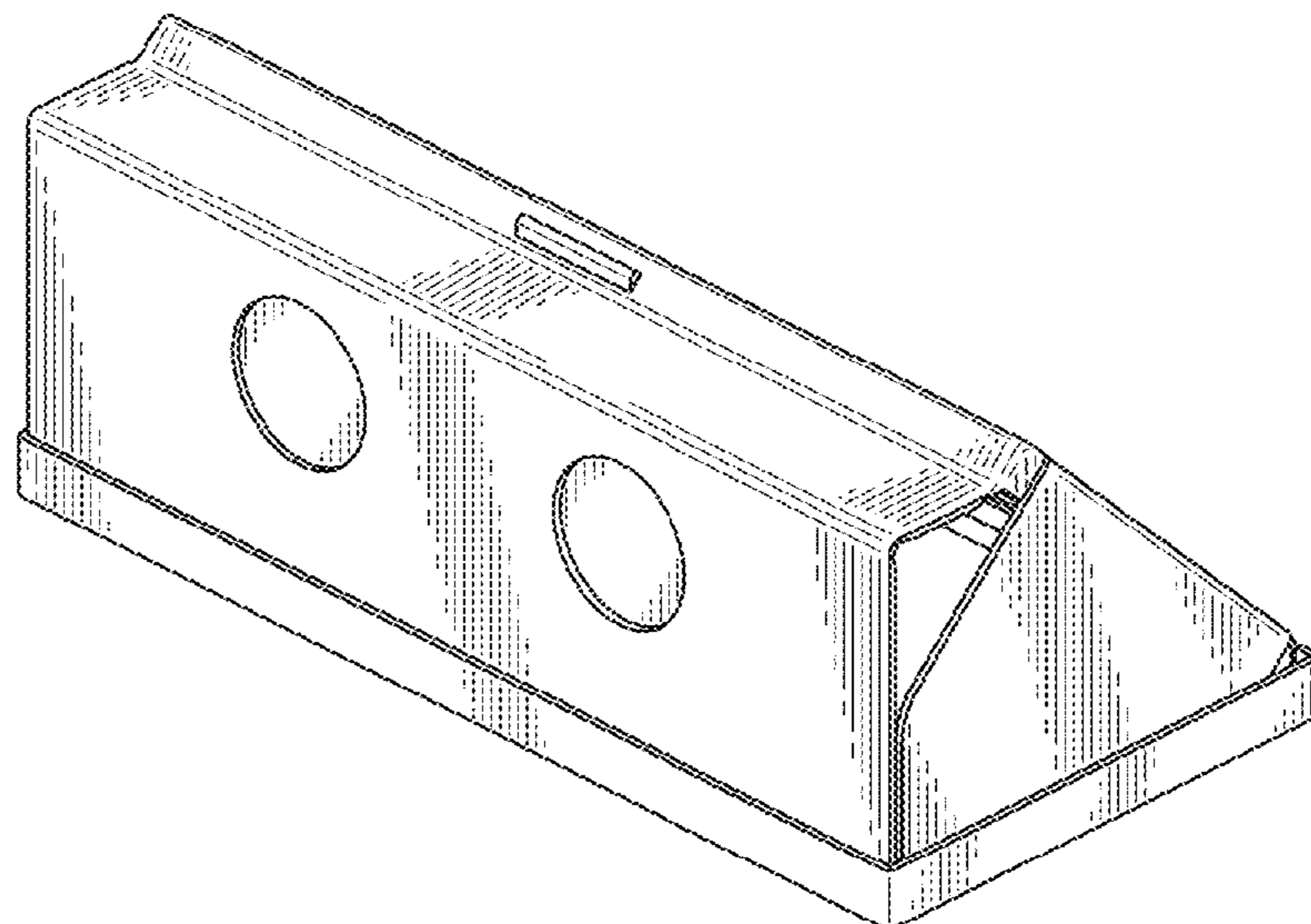
The ornamental design for a mobile 3D viewer, substantially as shown and described.

**DESCRIPTION**

FIG. 1 is a perspective view of a mobile 3D viewer, showing our new design;  
FIG. 2 is a front elevational view thereof;  
FIG. 3 is a rear view thereof;  
FIG. 4 is a top plan view thereof;  
FIG. 5 is a bottom plan view thereof;  
FIG. 6 is a right side view thereof;  
FIG. 7 is a left side view thereof;  
FIG. 8 is a front elevational view in a folded state of the mobile 3D viewer,  
FIG. 9 is a top plan view in a folded state of the mobile 3D viewer,  
FIG. 10 is a right side view in a folded state of the mobile 3D viewer,  
FIG. 11 is a splayed view of the mobile 3D viewer.  
FIG. 12 is a cross sectional view of FIG. 2 taken along line 12-12; and,  
FIG. 13 is a cross sectional view of FIG. 8 taken along line 13-13.

**1 Claim, 13 Drawing Sheets**

- (56) **References Cited**  
U.S. PATENT DOCUMENTS
- 2,349,013 A \* 5/1944 Sparling ..... G02B 27/2228  
359/475
- 2,487,459 A \* 11/1949 Mast ..... G03B 23/105  
359/467
- 2,511,334 A \* 6/1950 Gruber ..... G03B 23/105  
333/81 R
- 2,666,359 A \* 1/1954 Collins ..... G02B 27/2228  
359/475
- D246,788 S \* 12/1977 Simonelli ..... D16/222
- D247,245 S \* 2/1978 Armbruster ..... D16/131
- D247,497 S \* 3/1978 Wolfe ..... D16/222
- D249,796 S \* 10/1978 Curtin ..... D16/222
- D258,479 S \* 3/1981 Mills ..... D19/91
- D266,931 S \* 11/1982 Miller ..... D16/222
- 4,602,856 A \* 7/1986 Marks ..... G02C 11/12  
351/44
- D290,016 S \* 5/1987 Vitrac ..... D16/222



(56)

**References Cited**

U.S. PATENT DOCUMENTS

D358,158	S *	5/1995	Bush .....	D16/222
D367,871	S *	3/1996	Lo .....	D16/222
D369,374	S *	4/1996	Dallaire .....	D16/222
D387,081	S *	12/1997	Yoshida .....	D16/225
D391,282	S *	2/1998	Evers .....	359/474
D394,667	S *	5/1998	Romano .....	D16/130
5,903,337	A *	5/1999	Hamada .....	G02B 27/025 352/129
D424,594	S *	5/2000	DePalo .....	D16/222
6,069,735	A *	5/2000	Murphy .....	G02B 27/2257 359/408
D479,260	S *	9/2003	Hamamura .....	D16/222
D671,158	S *	11/2012	Filo .....	D16/222
2009/0046141	A1 *	2/2009	Nojiri .....	A63F 13/02 348/53
2015/0146370	A1 *	5/2015	Juan .....	H05K 5/03 361/679.56
2016/0147077	A1 *	5/2016	Woolpert .....	G02B 27/2242 359/477

\* cited by examiner

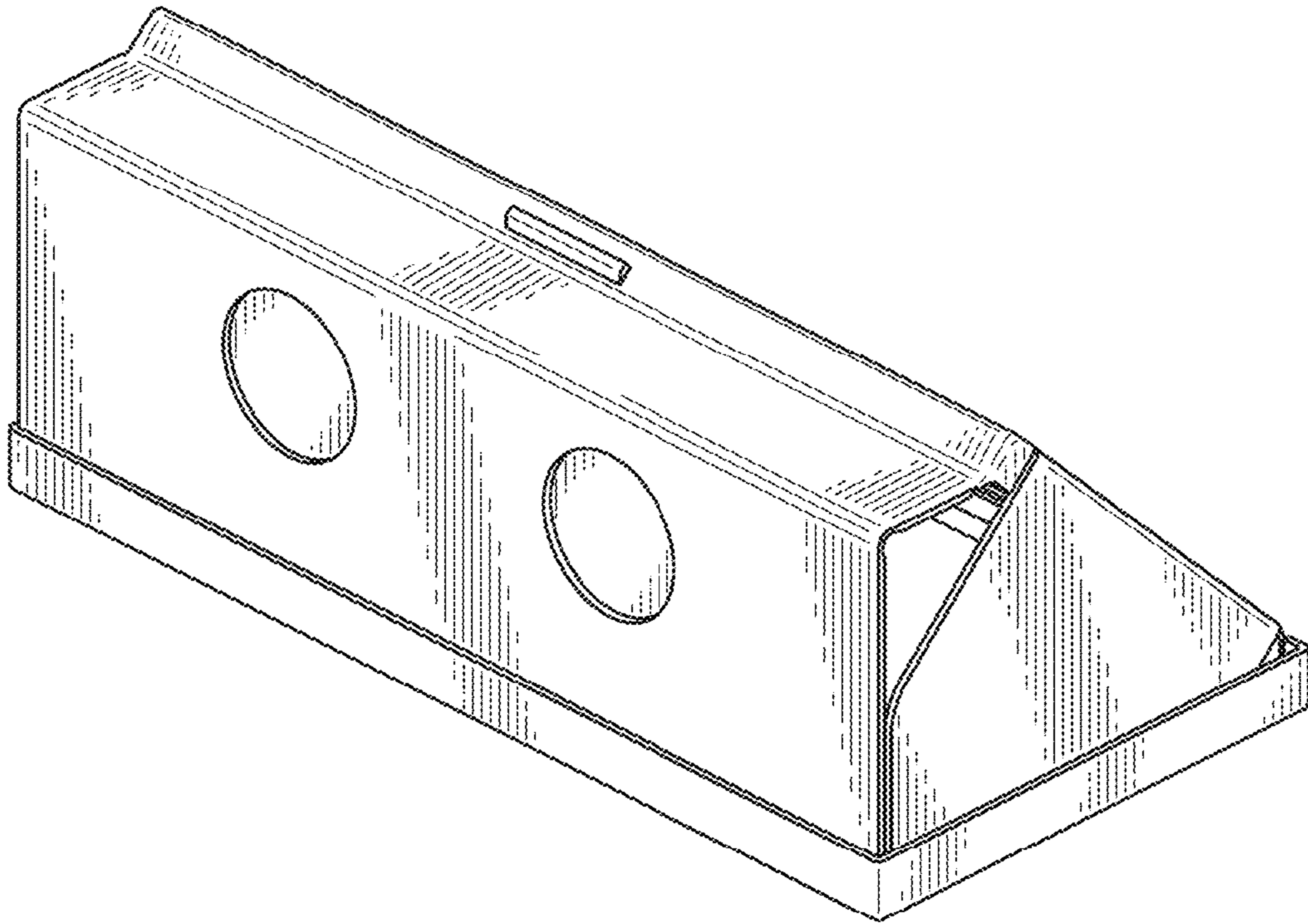


FIG.1

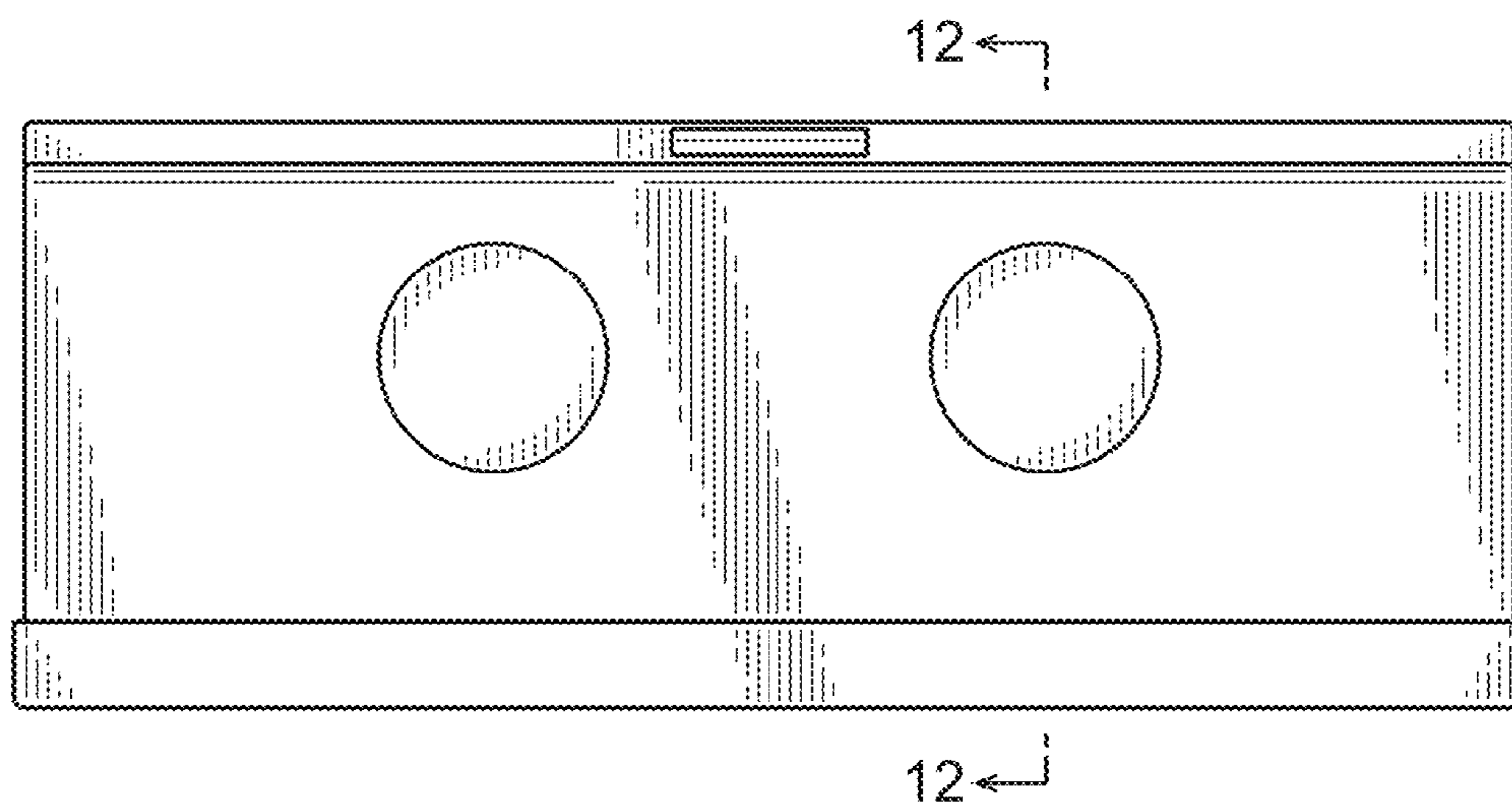


FIG.2

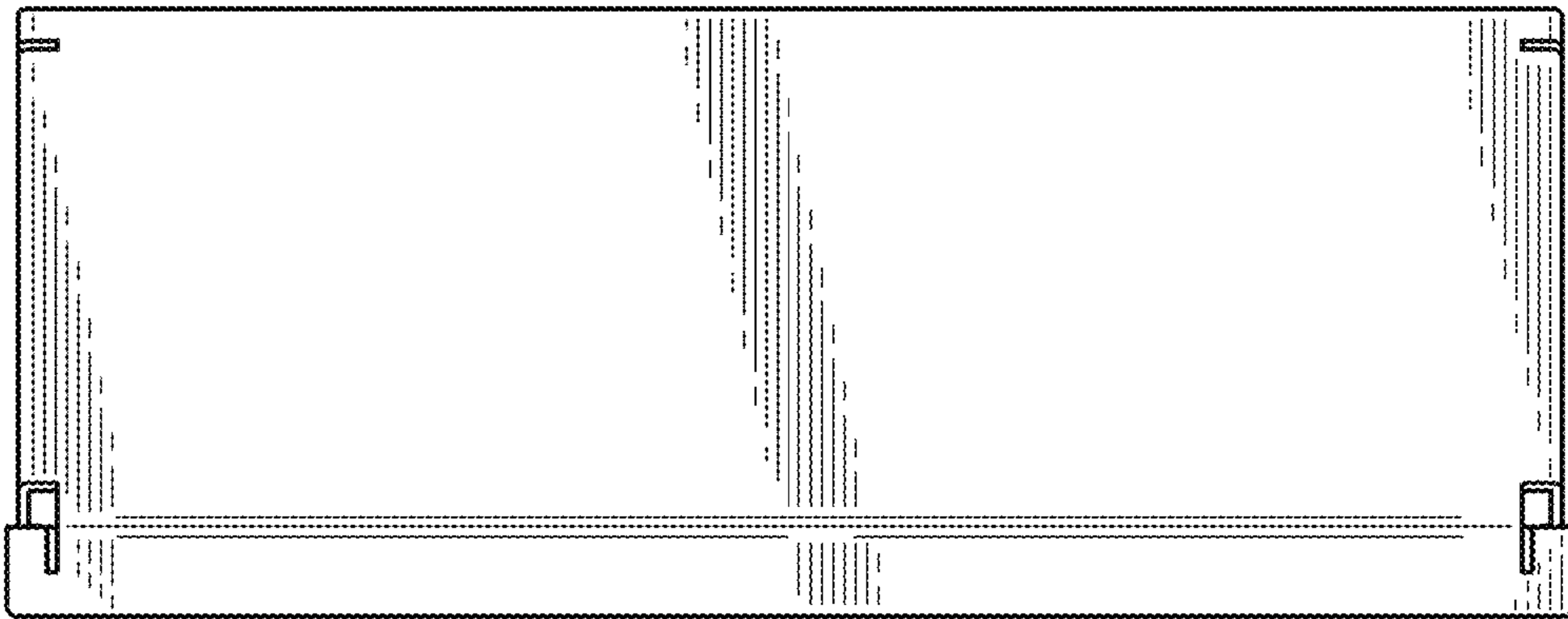


FIG.3

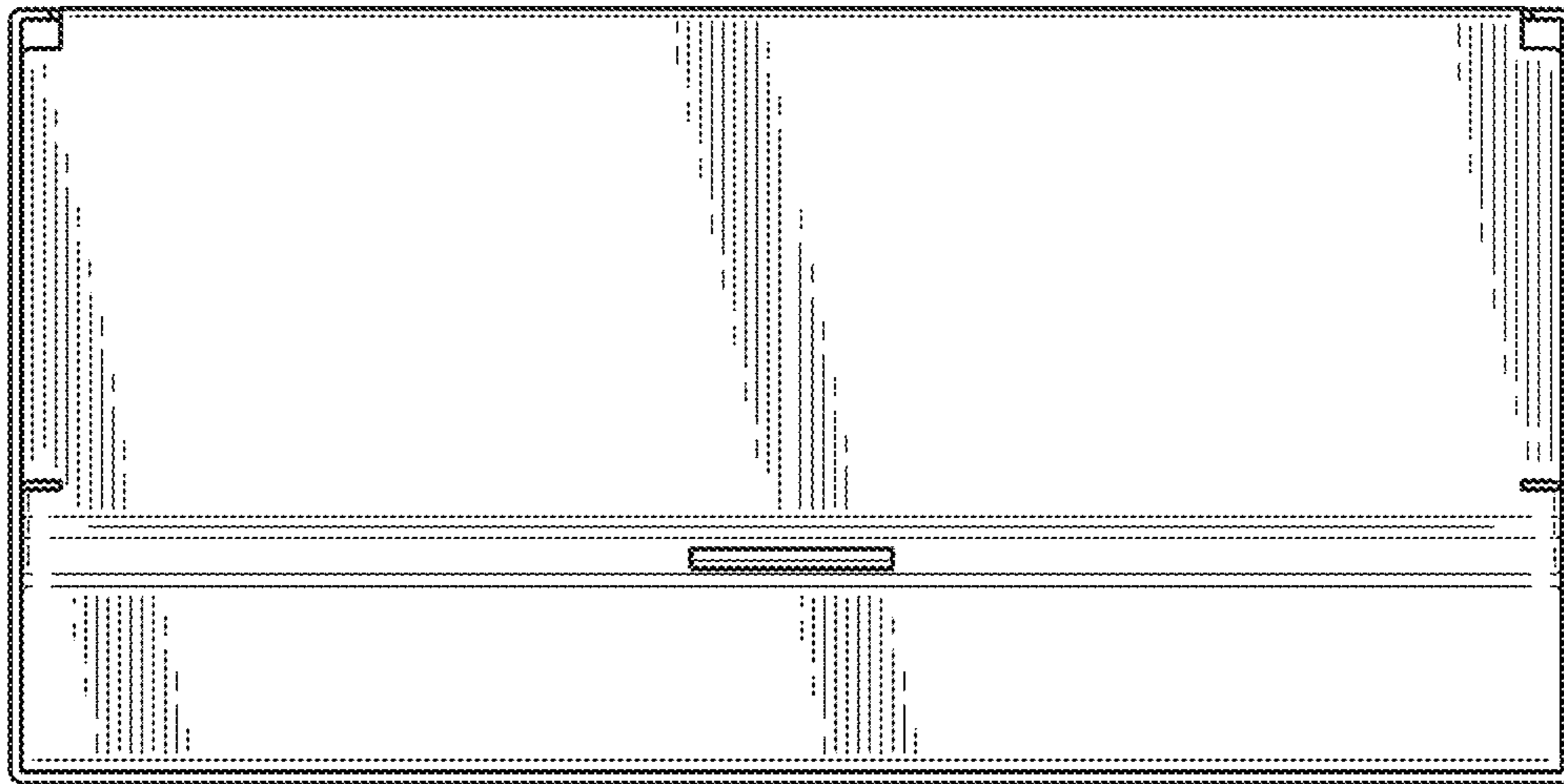


FIG.4



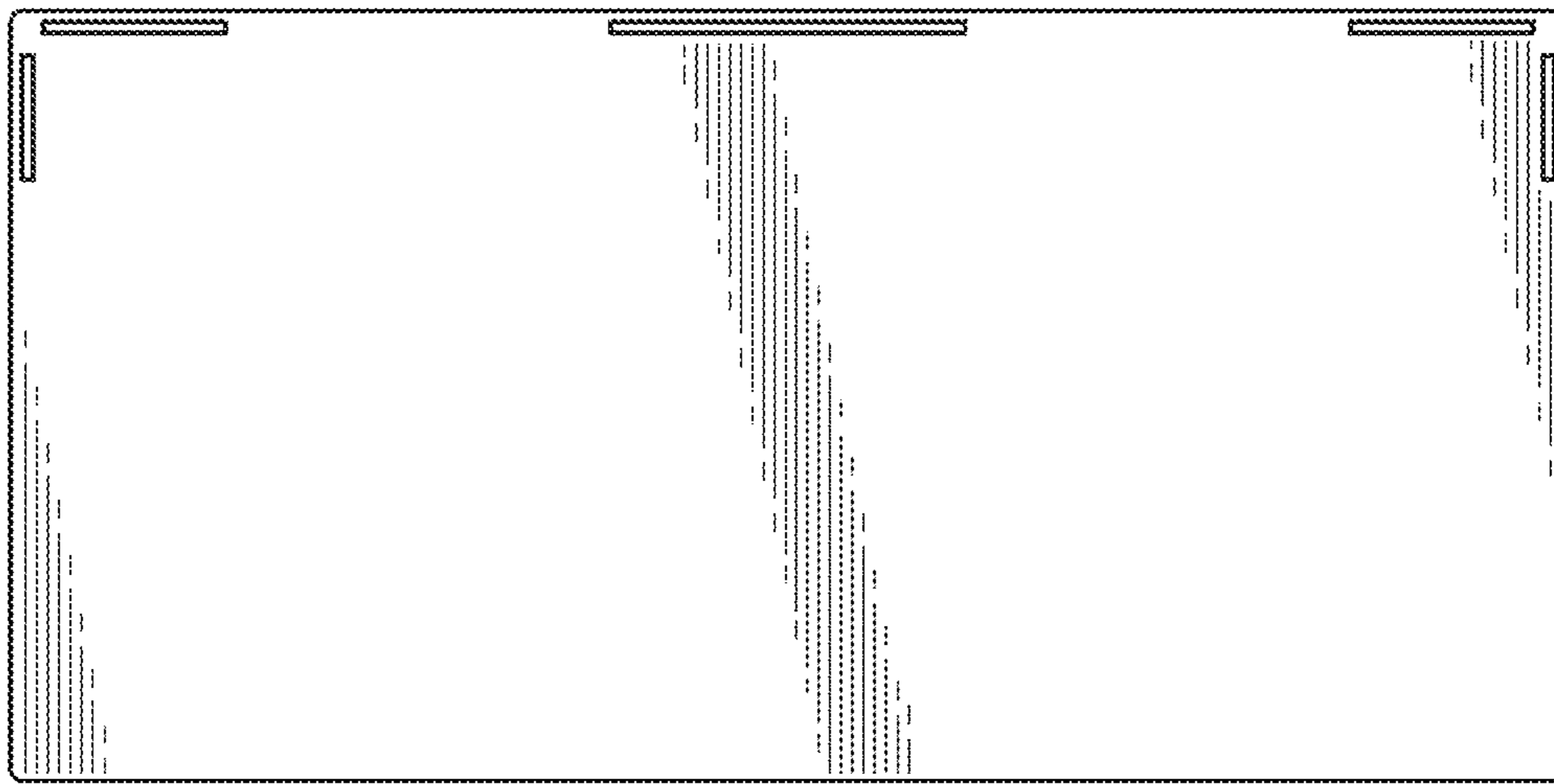


FIG.5

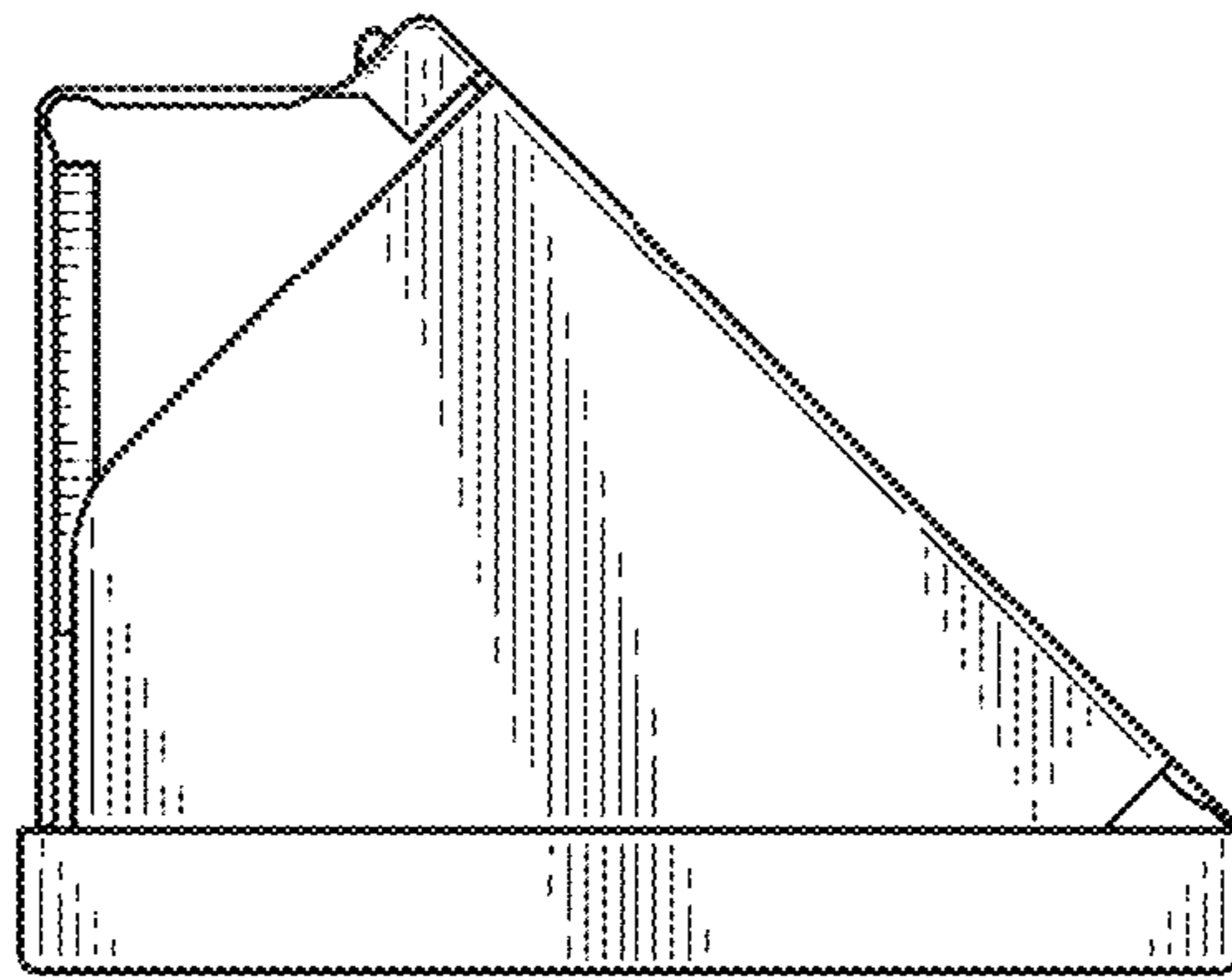


FIG.6



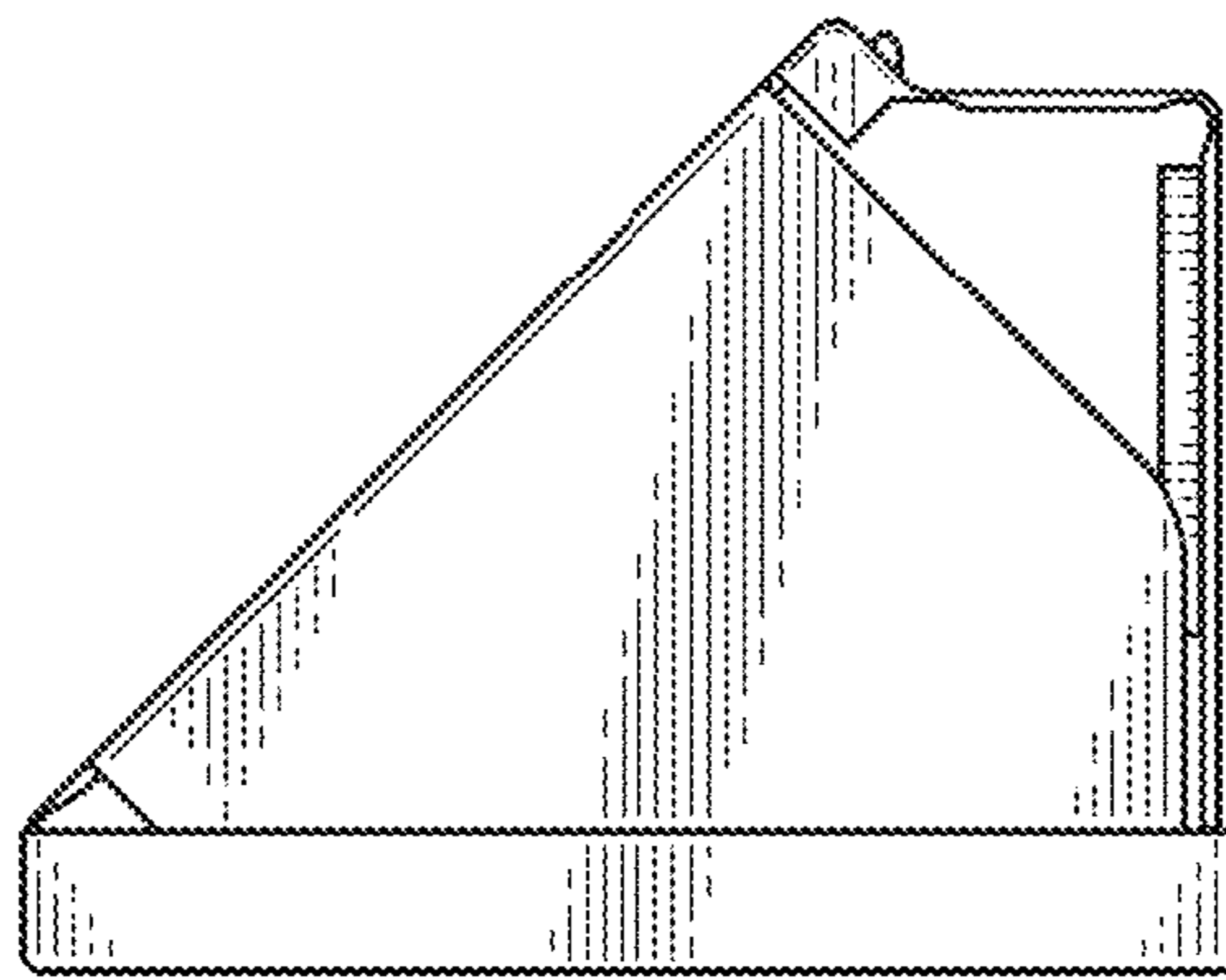


FIG.7

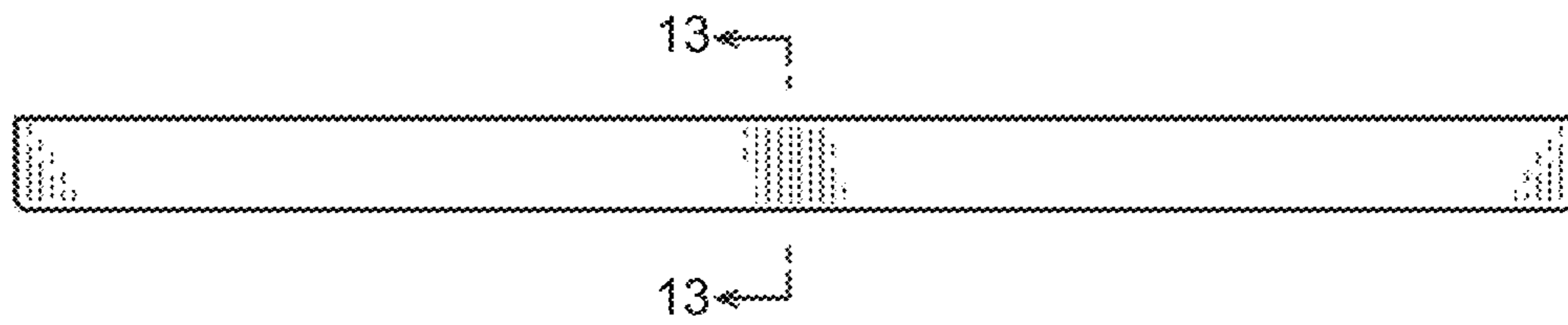


FIG. 8

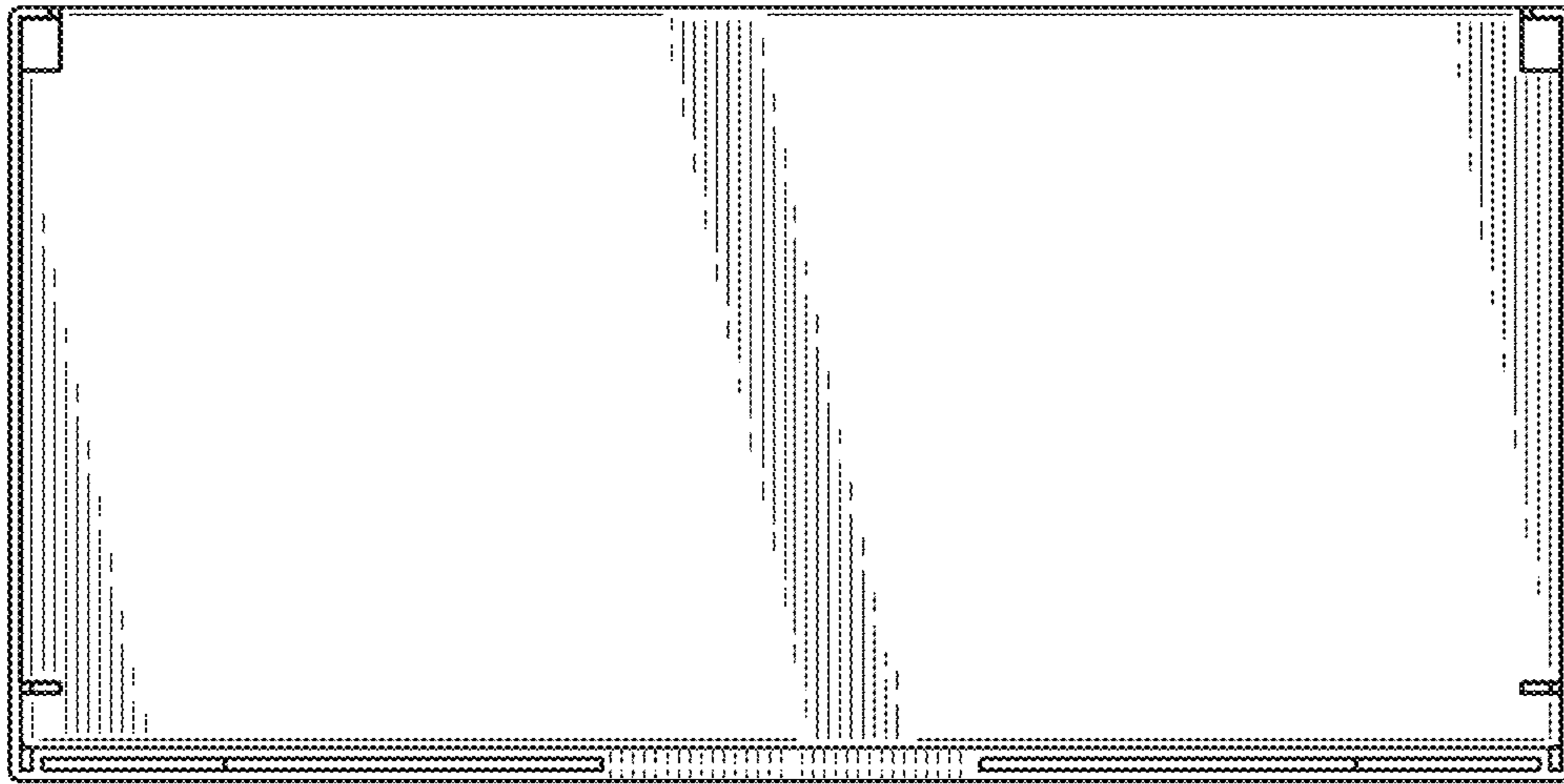


FIG.9



FIG. 10

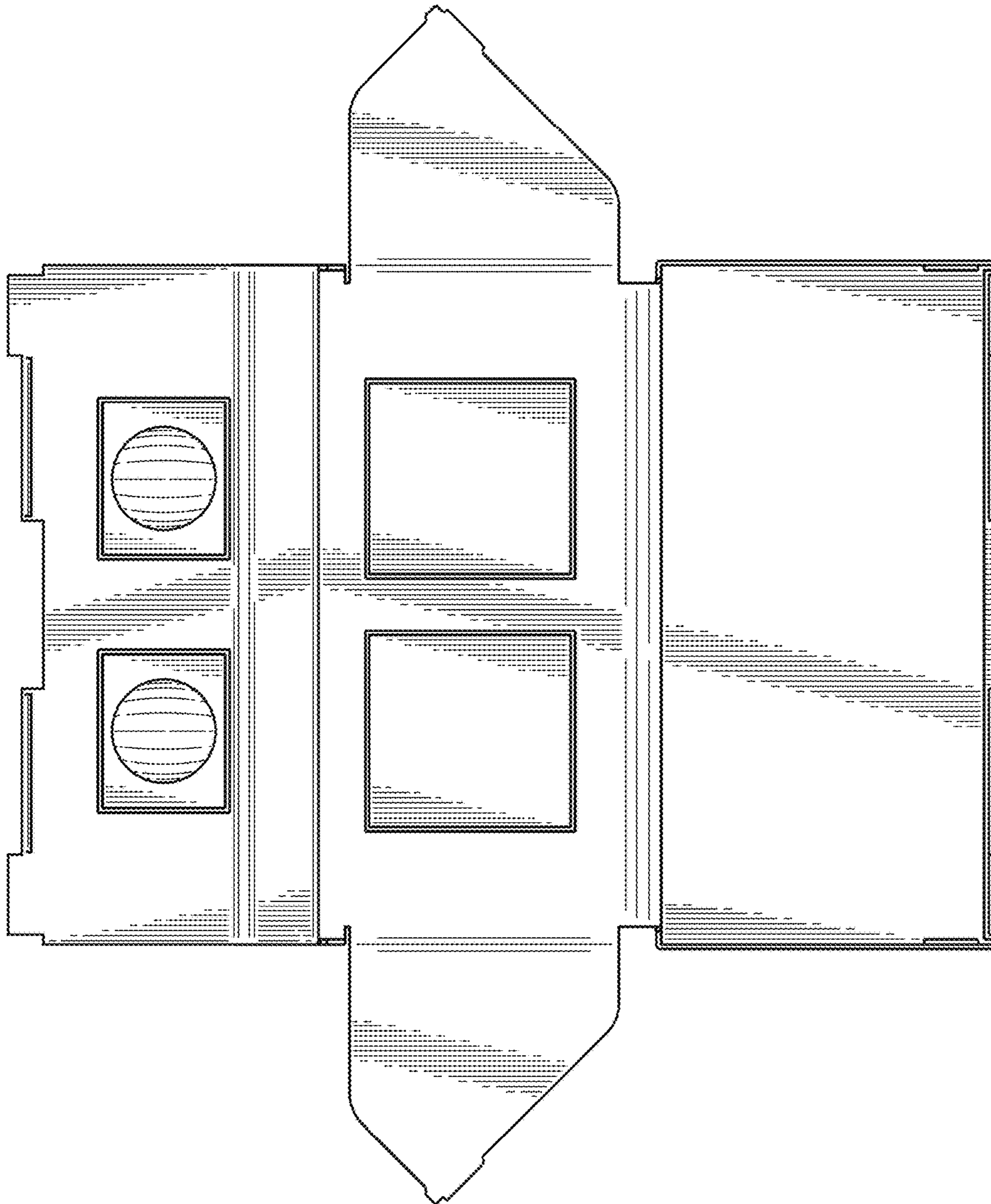


FIG.11

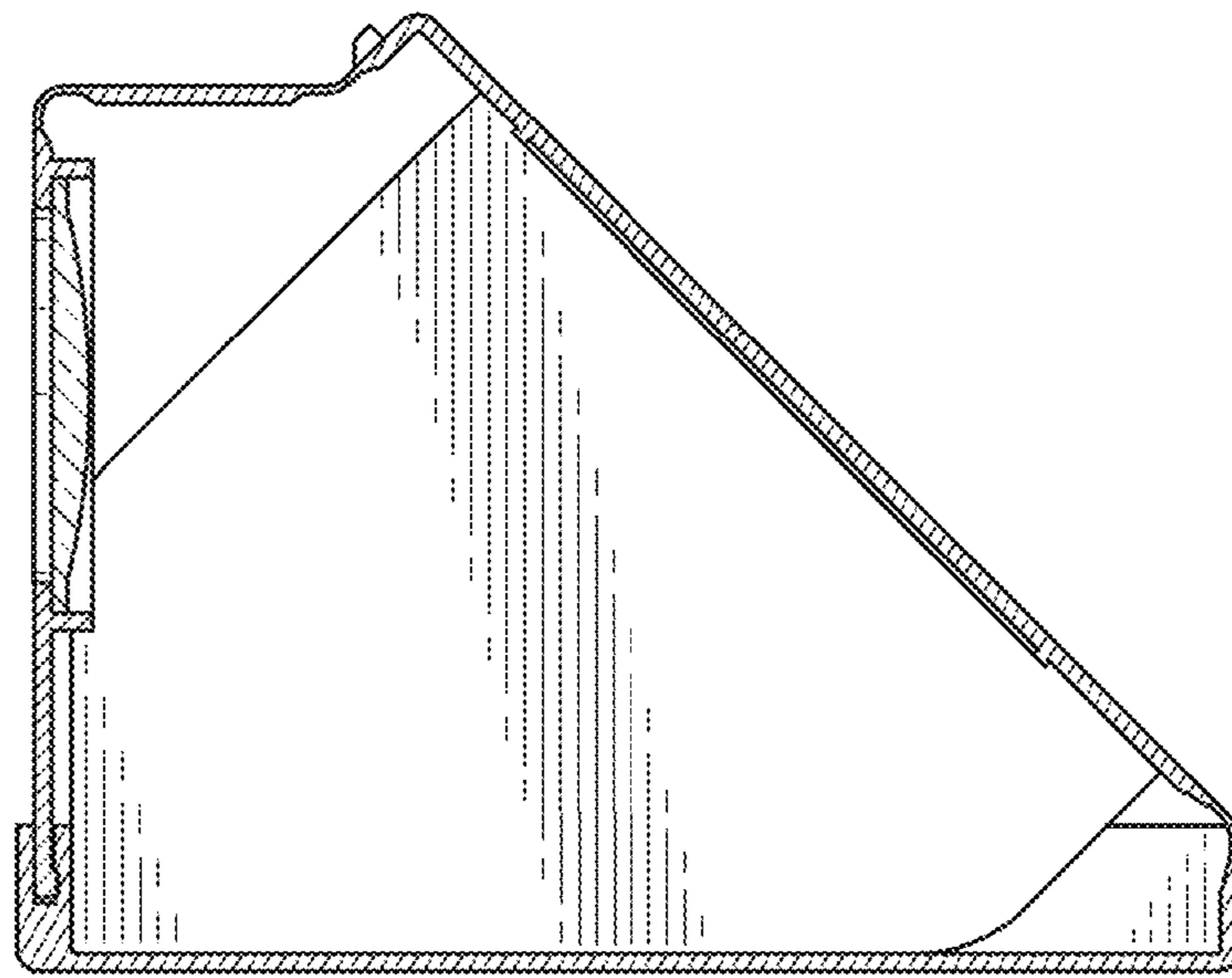


FIG.12



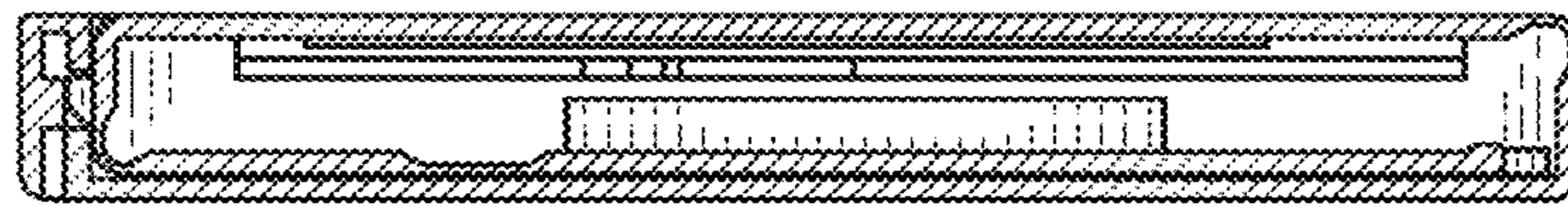


FIG.13