



US00D779572S

(12) **United States Design Patent**
Herrick et al.

(10) **Patent No.:** **US D779,572 S**

(45) **Date of Patent:** **** Feb. 21, 2017**

- (54) **SPUR HANDLE BURSTING HEAD**
- (71) Applicant: **RODDIE, INC.**, Columbia Falls, MT (US)
- (72) Inventors: **Rod Herrick**, Whitefish, MT (US);
Jared W Shappell, Kalispell, MT (US)
- (73) Assignee: **RODDIE, Inc.**, Columbia Falls, MT (US)
- (**) Term: **15 Years**
- (21) Appl. No.: **29/533,293**
- (22) Filed: **Jul. 15, 2015**
- (51) **LOC (10) Cl.** **15-09**
- (52) **U.S. Cl.**
USPC **D15/138**
- (58) **Field of Classification Search**
USPC D15/28, 138, 139; 138/98, 99; 254/228;
405/184.1, 184.3
See application file for complete search history.

7,624,817	B2 *	12/2009	Putnam	E21B 7/30	175/53
8,523,489	B1 *	9/2013	Putnam	F16L 55/1658	405/184.3
9,360,148	B2 *	6/2016	Herrick	F16L 55/1658	
2002/0081154	A1 *	6/2002	Herrick	F16L 55/1658	405/184
2004/0218982	A1 *	11/2004	Wentworth	E21B 7/30	405/184.3
2007/0048091	A1 *	3/2007	Tjader	F16L 55/1658	405/184.3
2010/0178113	A1 *	7/2010	Tjader	E21B 7/205	405/184.3
2011/0081205	A1 *	4/2011	Tjader	F16L 55/18	405/184.3
2011/0250020	A1 *	10/2011	Carter	F16L 55/1658	405/184.3
2012/0321391	A1 *	12/2012	Herrick	F16L 55/1658	405/184.3

* cited by examiner

Primary Examiner — Patricia Palasik

(74) *Attorney, Agent, or Firm* — Robin Kelson Consulting

(57) **CLAIM**

The ornamental design for a spur handle bursting head, as shown and described.

DESCRIPTION

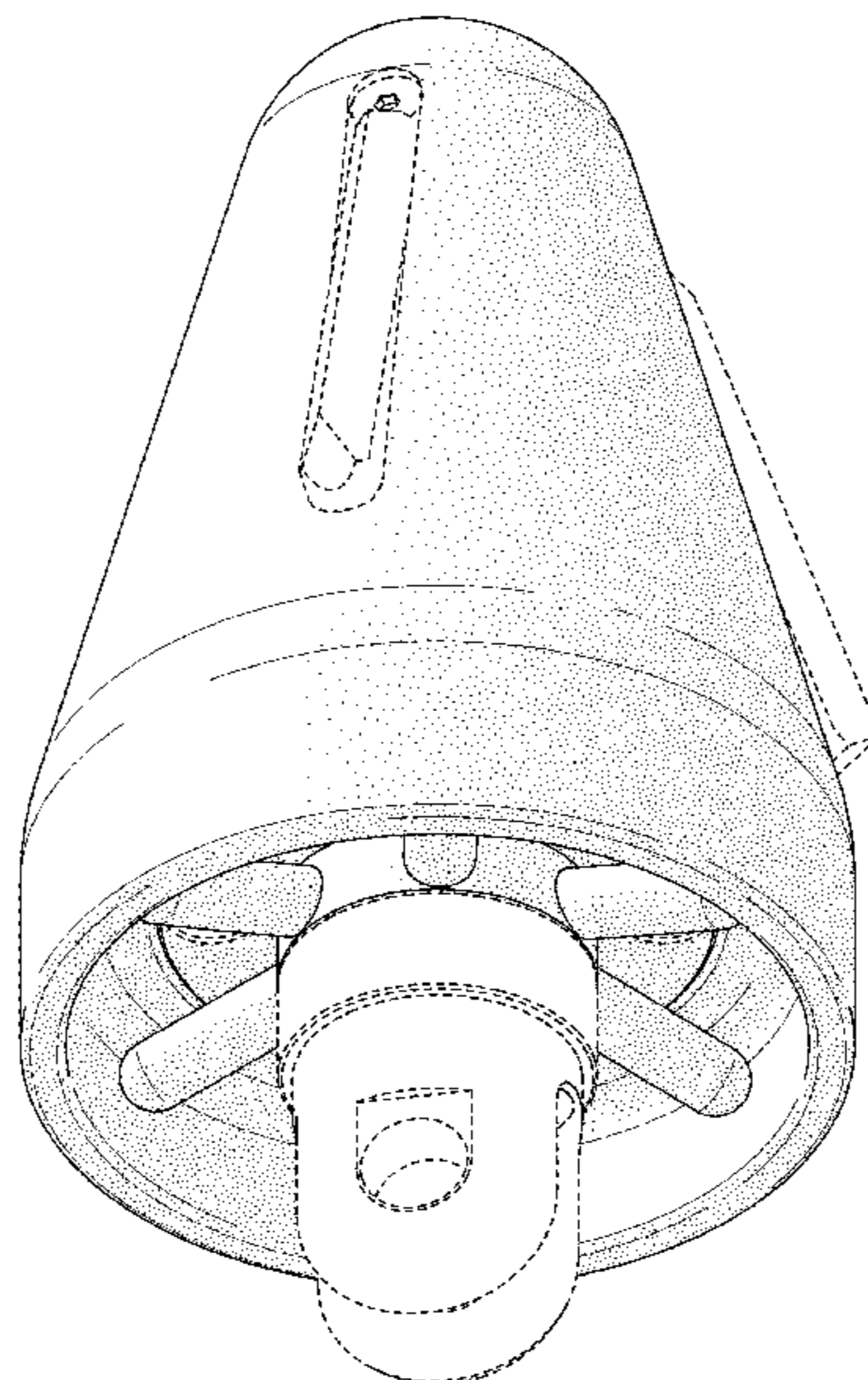
FIG. 1 is a perspective view of a bursting head with a handle in accordance with the present design; FIG. 2 is a rear view thereof; FIG. 3 is a front view thereof; and, FIG. 4 is a side view thereof, it being understood that the opposite side not shown is a substantial mirror image thereof.

The broken lines of the bursting head depict unclaimed environmental subject matter.

1 Claim, 4 Drawing Sheets

(56) **References Cited**
U.S. PATENT DOCUMENTS

3,052,454	A *	9/1962	Sibley	E21C 27/24	299/71
6,109,832	A *	8/2000	Lincoln	E21B 7/30	175/53
6,269,889	B1 *	8/2001	Wentworth	E21B 7/206	173/19
6,340,270	B2 *	1/2002	Puttmann	138/97	
6,357,967	B1 *	3/2002	Putnam	F16L 55/1658	254/29 R
6,755,593	B2 *	6/2004	Wentworth	F16L 55/1658	138/97
6,854,932	B2 *	2/2005	Putnam	F16L 55/1658	254/107
6,913,091	B2 *	7/2005	Wentworth	E21B 4/14	173/128



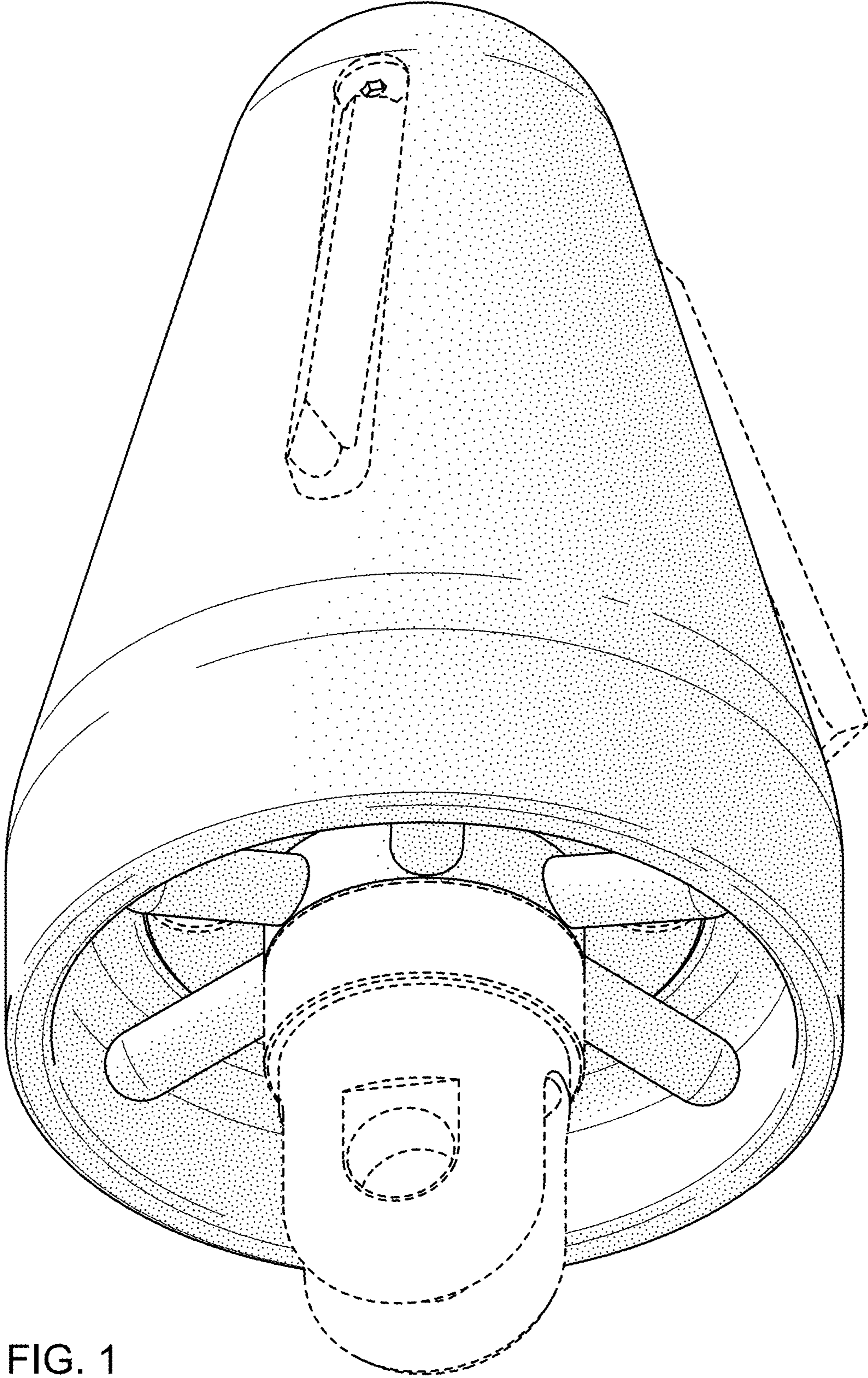


FIG. 1

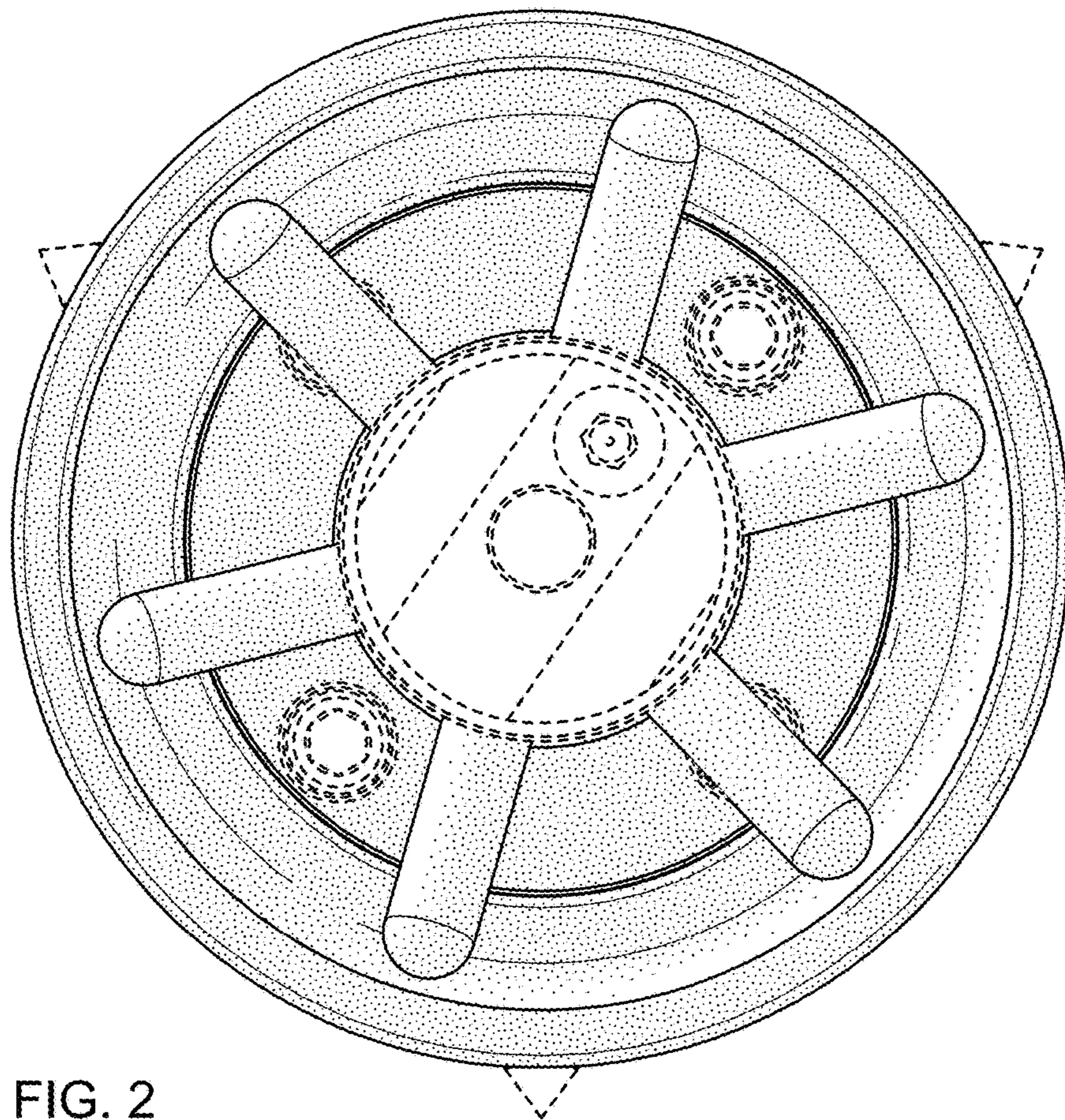


FIG. 2

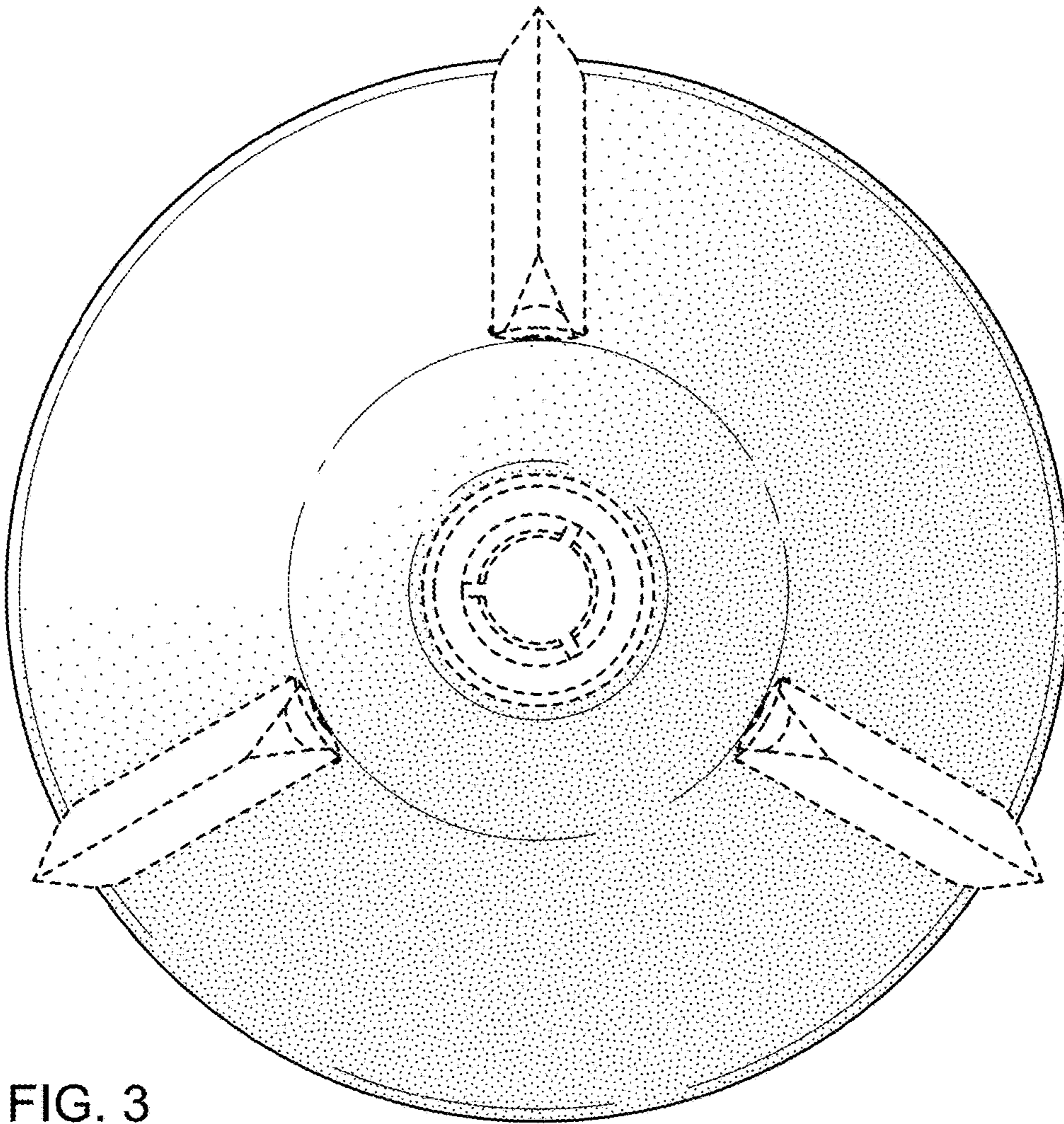


FIG. 3

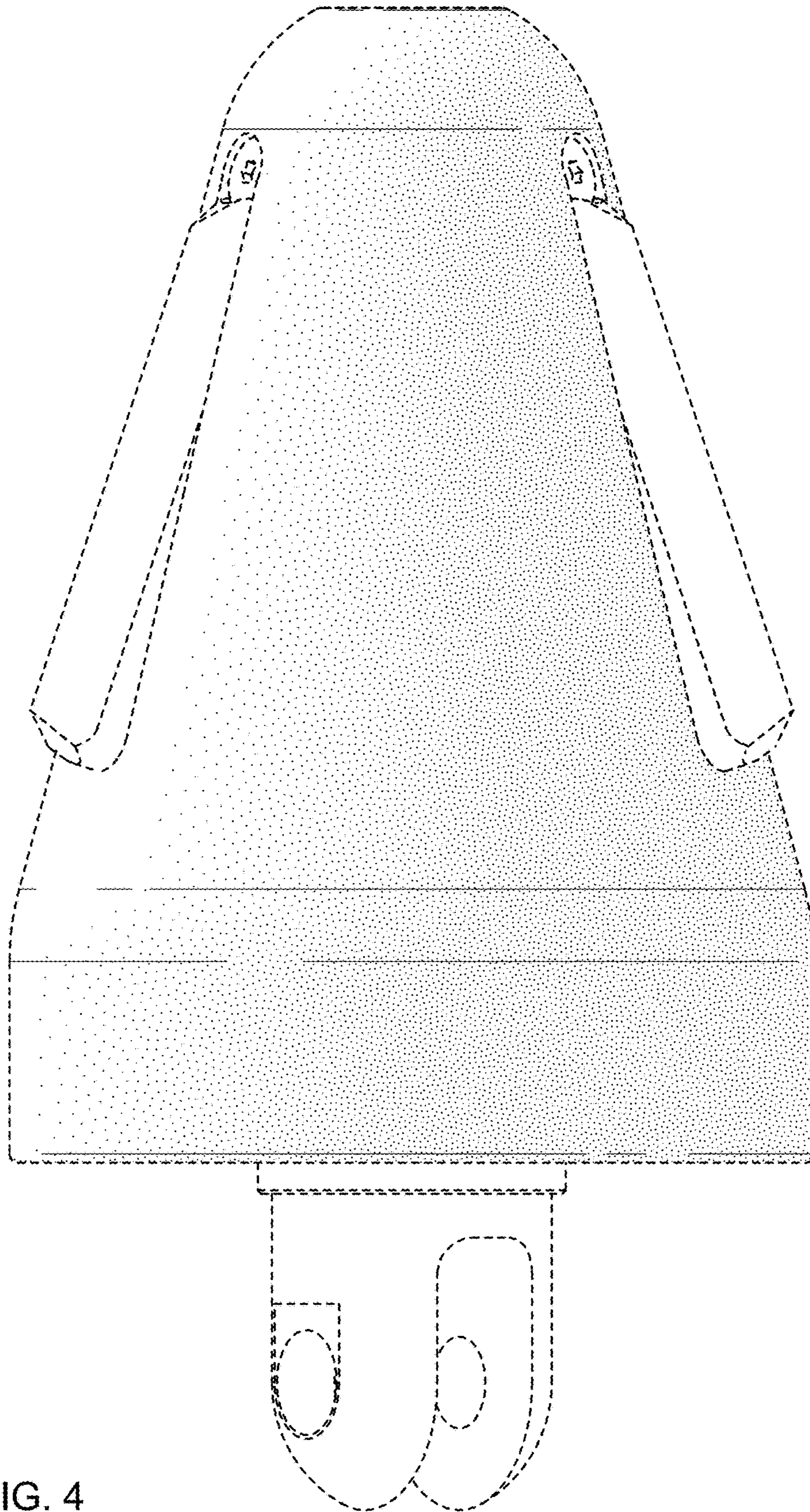


FIG. 4