



US00D779571S

(12) **United States Design Patent**
Jurkovic et al.

(10) **Patent No.:** **US D779,571 S**

(45) **Date of Patent:** **** Feb. 21, 2017**

- (54) **FOOTWEAR LAST EXTENSION**
- (71) Applicant: **NIKE, Inc.**, Beaverton, OR (US)
- (72) Inventors: **Dragan Jurkovic**, Taichung (TW);
Philip Mars, Kampen (NL); **Yu-Shu Hsiao**, Douliu (TW); **Chun-Chi Lin**, Douliu (TW)
- (73) Assignee: **NIKE, Inc.**, Beaverton, OR (US)
- (**) Term: **15 Years**
- (21) Appl. No.: **29/528,713**
- (22) Filed: **May 31, 2015**
- (51) **LOC (10) Cl.** **15-09**
- (52) **U.S. Cl.**
USPC **D15/137**
- (58) **Field of Classification Search**
USPC D15/123, 135, 136, 137, 138; 12/124,
12/139
See application file for complete search history.

- 1,320,202 A * 10/1919 Chapman A43D 3/02
12/133 R
- 1,513,836 A * 11/1924 Lucas A43D 3/029
12/139
- 2,014,981 A * 9/1935 Pizza A43D 3/02
12/124

(Continued)

Primary Examiner — Patricia Palasik

(74) *Attorney, Agent, or Firm* — Banner & Witcoff, Ltd.

(57) **CLAIM**

The ornamental design for a footwear last extension, as shown and described.

DESCRIPTION

FIG. 1 is a front isometric view of a footwear last extension showing our new design;
 FIG. 2 is a top view thereof;
 FIG. 3 is a bottom view thereof;
 FIG. 4 is a right side view thereof;
 FIG. 5 is a left side view thereof;
 FIG. 6 is a front view thereof;
 FIG. 7 is a rear view thereof;
 FIG. 8 is a front isometric view of a footwear last extension showing a second embodiment of my new design;
 FIG. 9 is a top view thereof;
 FIG. 10 is a bottom view thereof;
 FIG. 11 is a right side view thereof;
 FIG. 12 is a left side view thereof;
 FIG. 13 is a front view thereof; and,
 FIG. 14 is a rear view thereof.

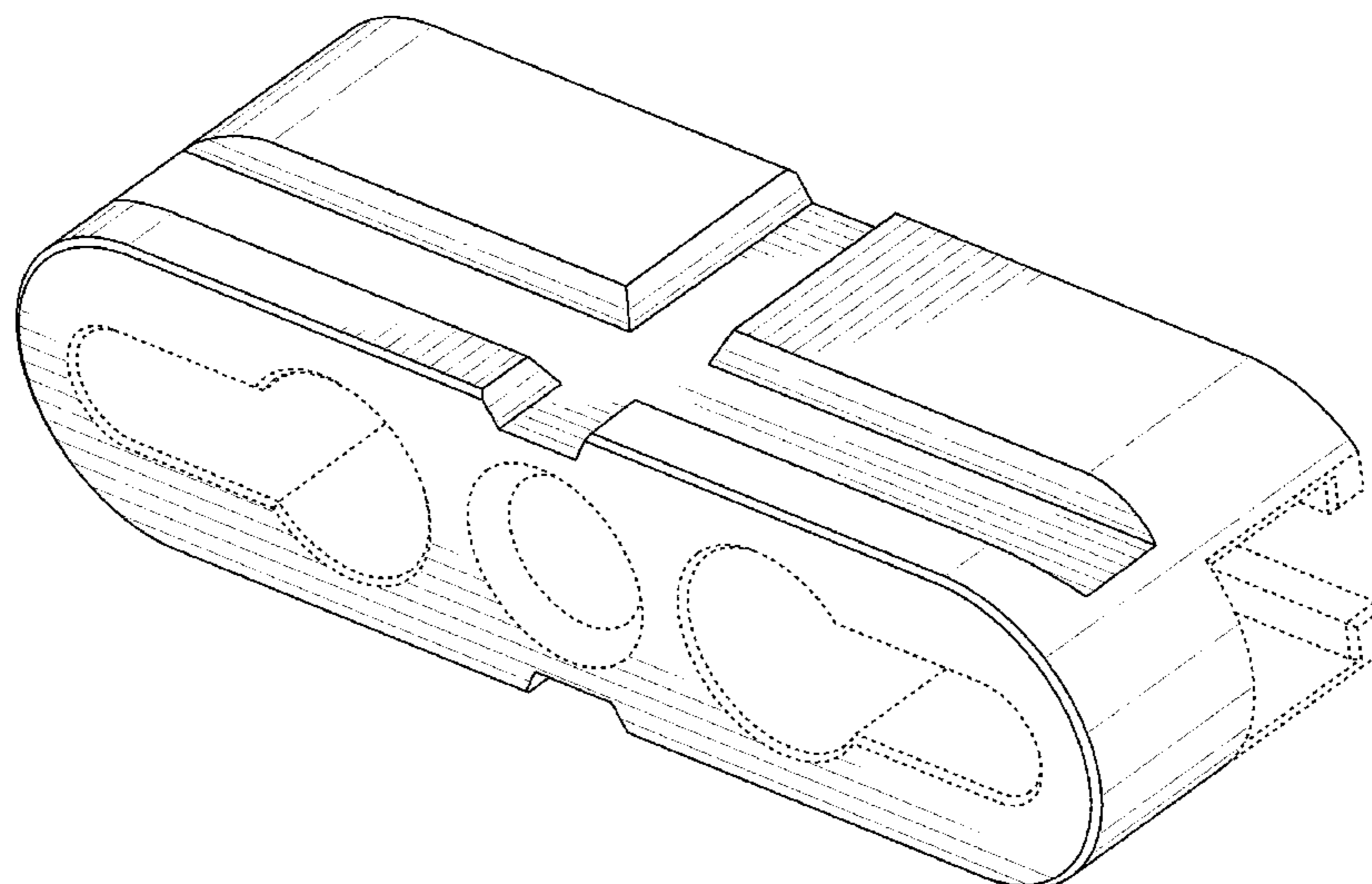
The broken lines immediately adjacent to the shaded area represent unclaimed boundaries of the design. The unshaded regions form no part of the claimed design. The broken lines showing the remainder of the footwear last extension are provided for environmental purposes only and form no part of the claimed design.

1 Claim, 8 Drawing Sheets

(56) **References Cited**

U.S. PATENT DOCUMENTS

- 270,975 A * 1/1883 Packard A43D 3/029
12/128 E
- 337,131 A * 3/1886 Campbel A43D 3/029
12/139
- 373,840 A * 11/1887 MoNamara A43D 3/02
- 719,318 A * 1/1903 Fitz A43D 3/02
12/136 B
- 907,693 A * 12/1908 Hokbrook A43D 3/02
12/136 B
- 937,982 A * 10/1909 Amnelius A43D 3/02
12/126
- 999,783 A * 8/1911 Heath A43D 3/029
12/139



(56)

References Cited

U.S. PATENT DOCUMENTS

2,030,615	A *	2/1936	Waterfield	A43D 3/029 12/139
2,111,512	A *	3/1938	Naceski	A43D 3/029 12/133 R
2,167,611	A *	7/1939	Jones	A43D 3/029 12/139
D133,992	S *	10/1942	Joyce, Jr.	D15/137
2,308,250	A *	1/1943	Teehan	A43D 3/02 12/107 R
2,330,260	A *	9/1943	Baxter	A43D 3/02 12/133 M
2,642,597	A *	6/1953	Field	A43D 3/029 12/139
2,806,233	A *	9/1957	Hubbard	A43D 3/029 12/133 R
3,027,579	A *	4/1962	Batchelder	A43D 3/022 12/128 C
3,076,213	A *	2/1963	Makovski	A43D 3/029 12/126
3,354,485	A *	11/1967	Hardy	A43D 3/02 12/123
3,501,793	A *	3/1970	Jonas	A43D 3/02 12/136 R
4,286,348	A *	9/1981	White, Sr.	A43D 3/14 12/133 R
4,741,062	A *	5/1988	Blanc	A43D 3/02 12/1 A
D397,703	S *	9/1998	Williamson	D15/136
2005/0091765	A1 *	5/2005	Blanc	B29D 35/0027 12/146 L
2011/0177186	A1 *	7/2011	Chen	A43D 3/02 425/119
2013/0291317	A1 *	11/2013	Hanson	A43D 3/04 12/133 R

* cited by examiner

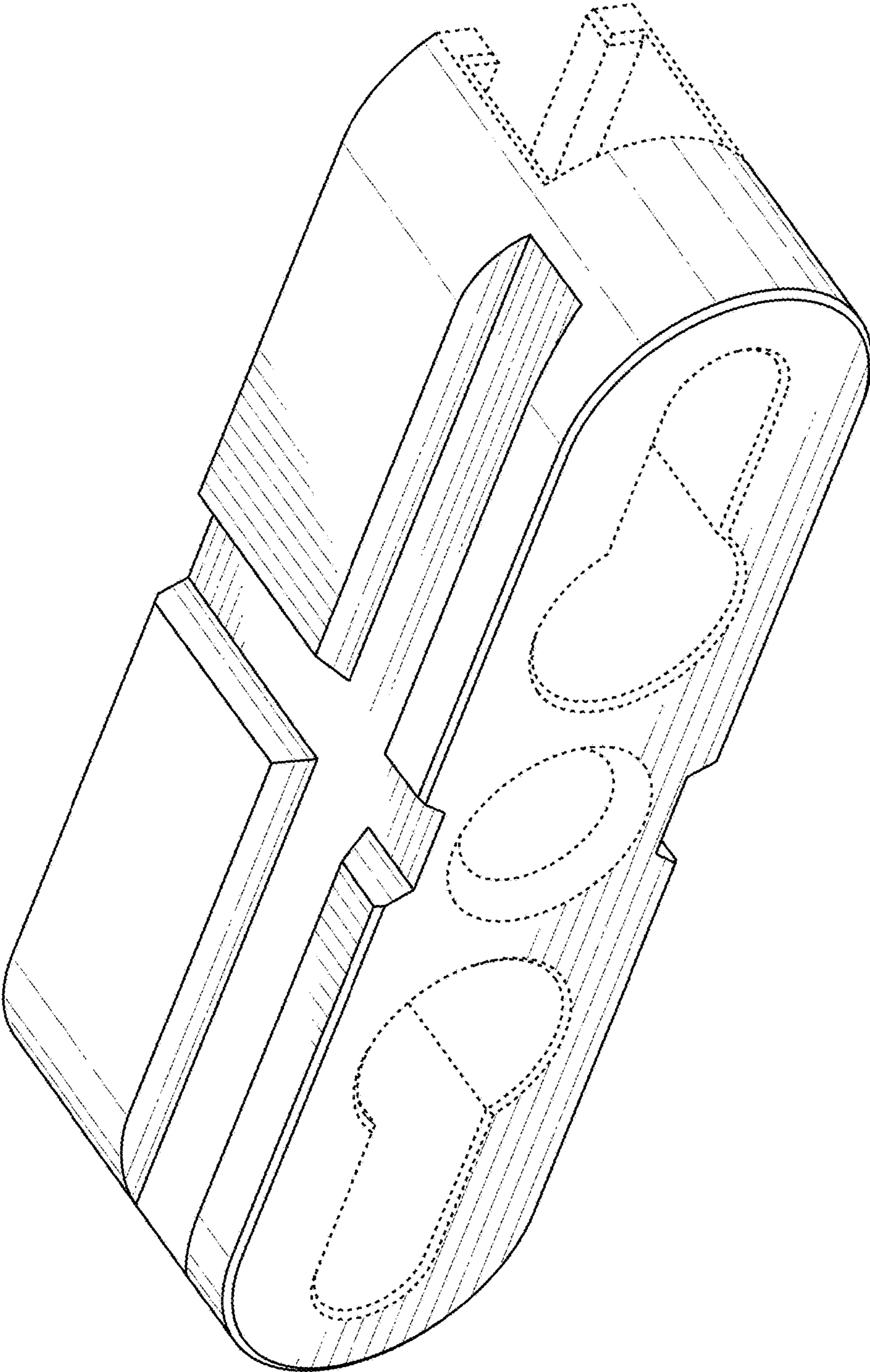


FIG. 1

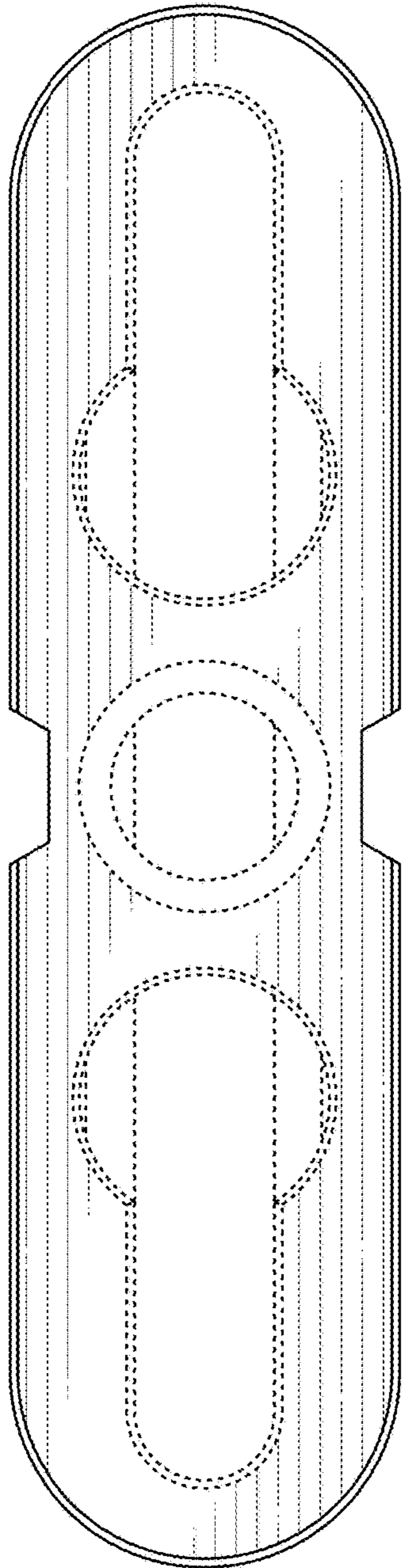


FIG. 2

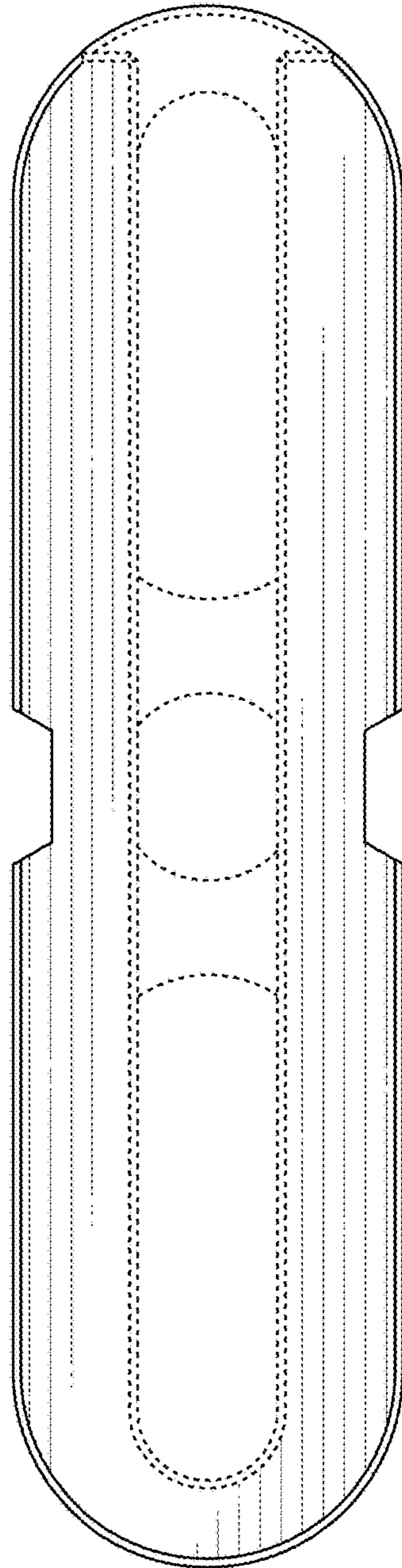


FIG. 3

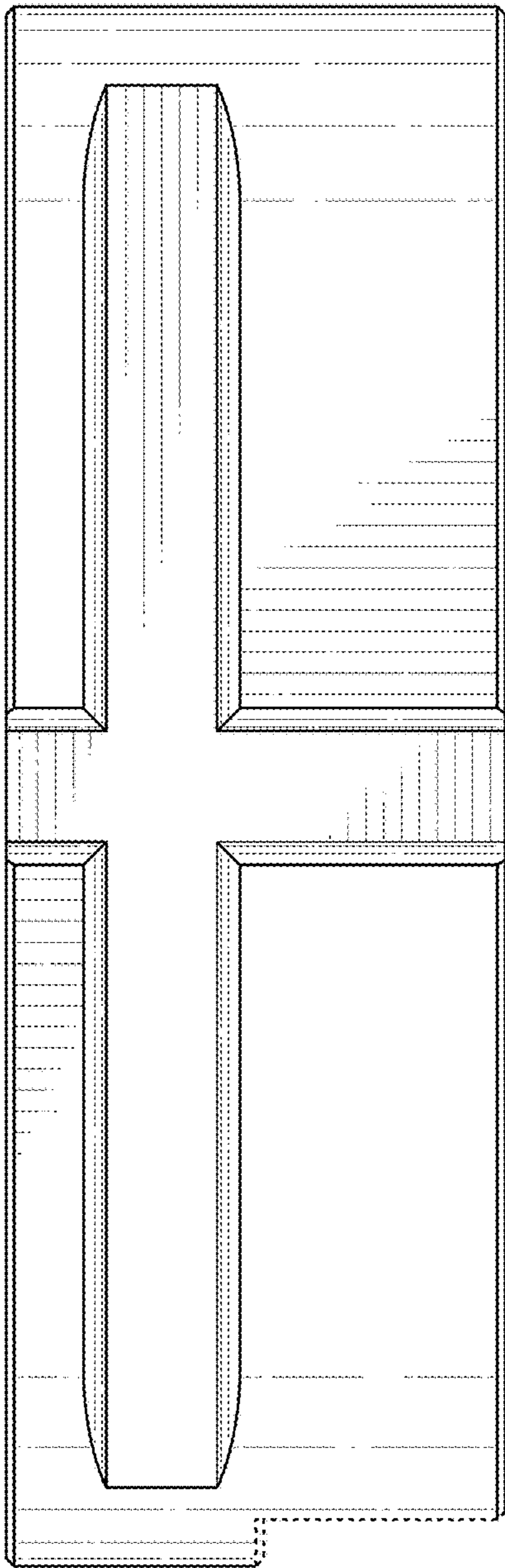


FIG. 4

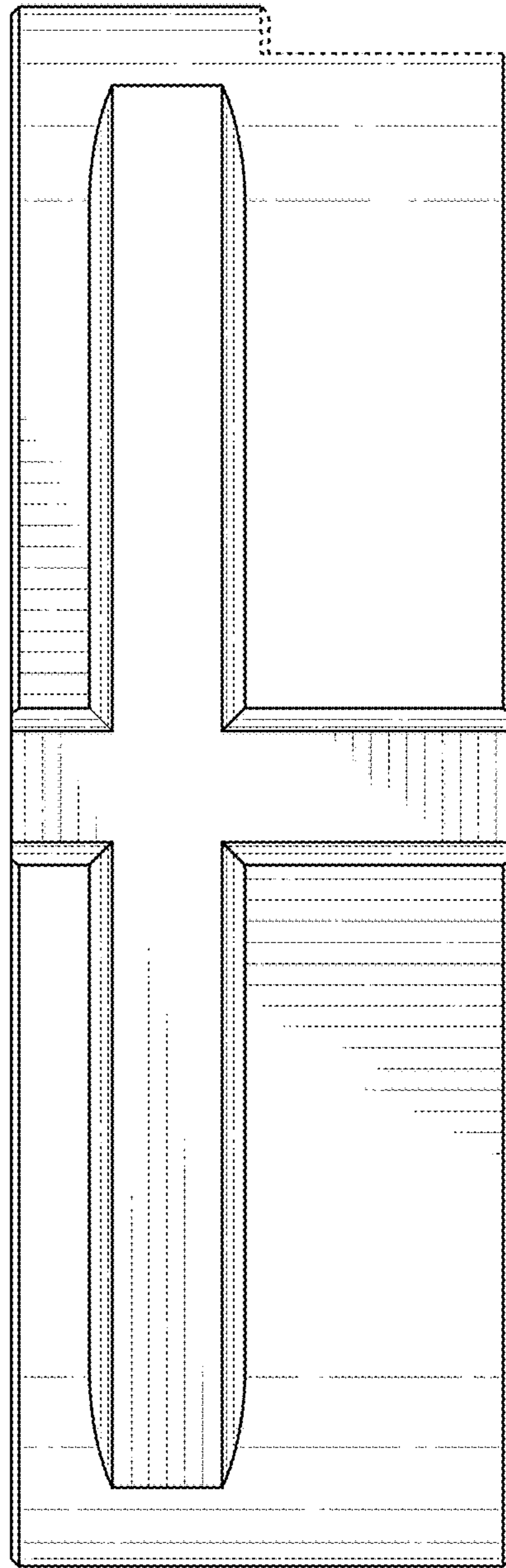


FIG. 5

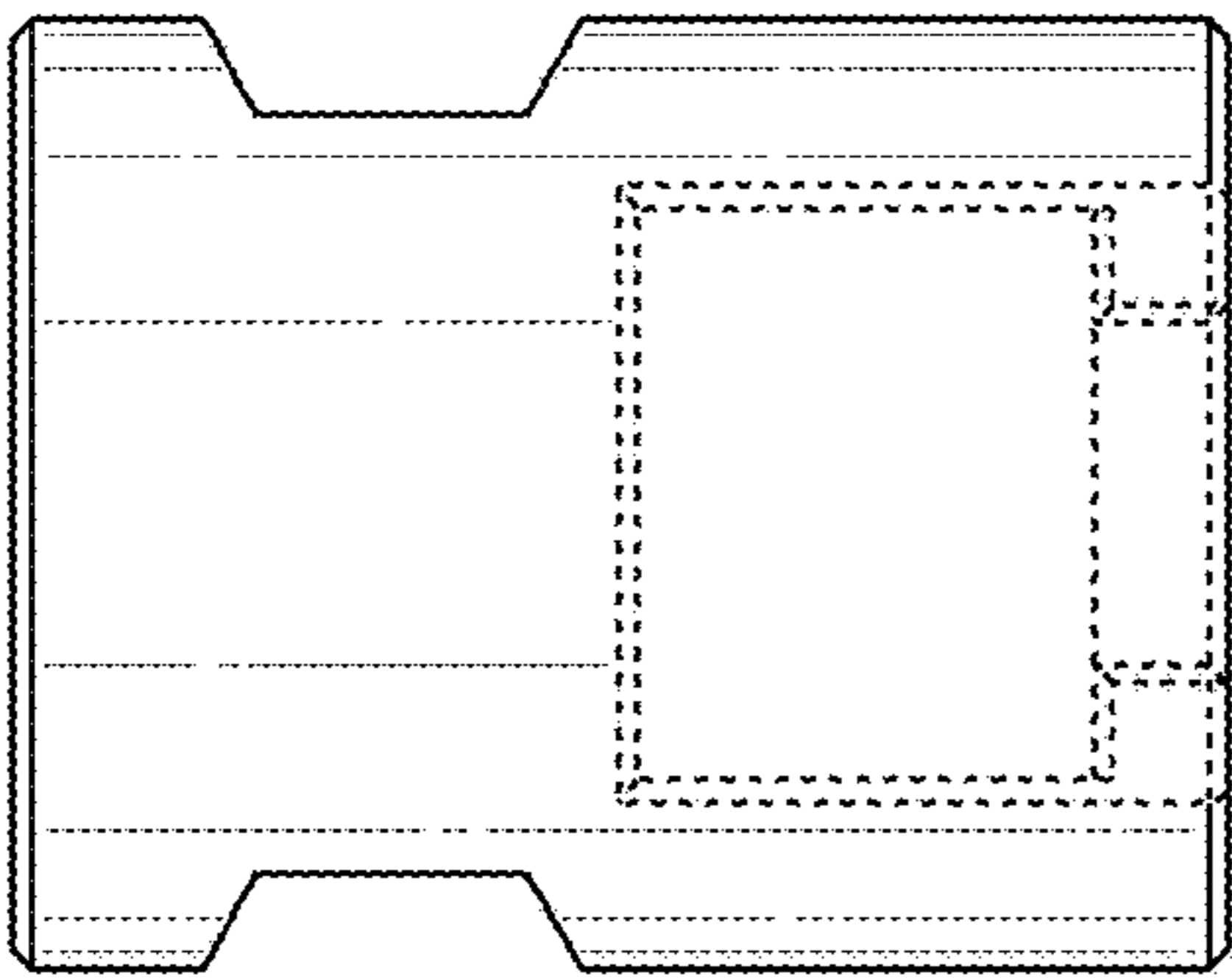


FIG. 6



FIG. 7

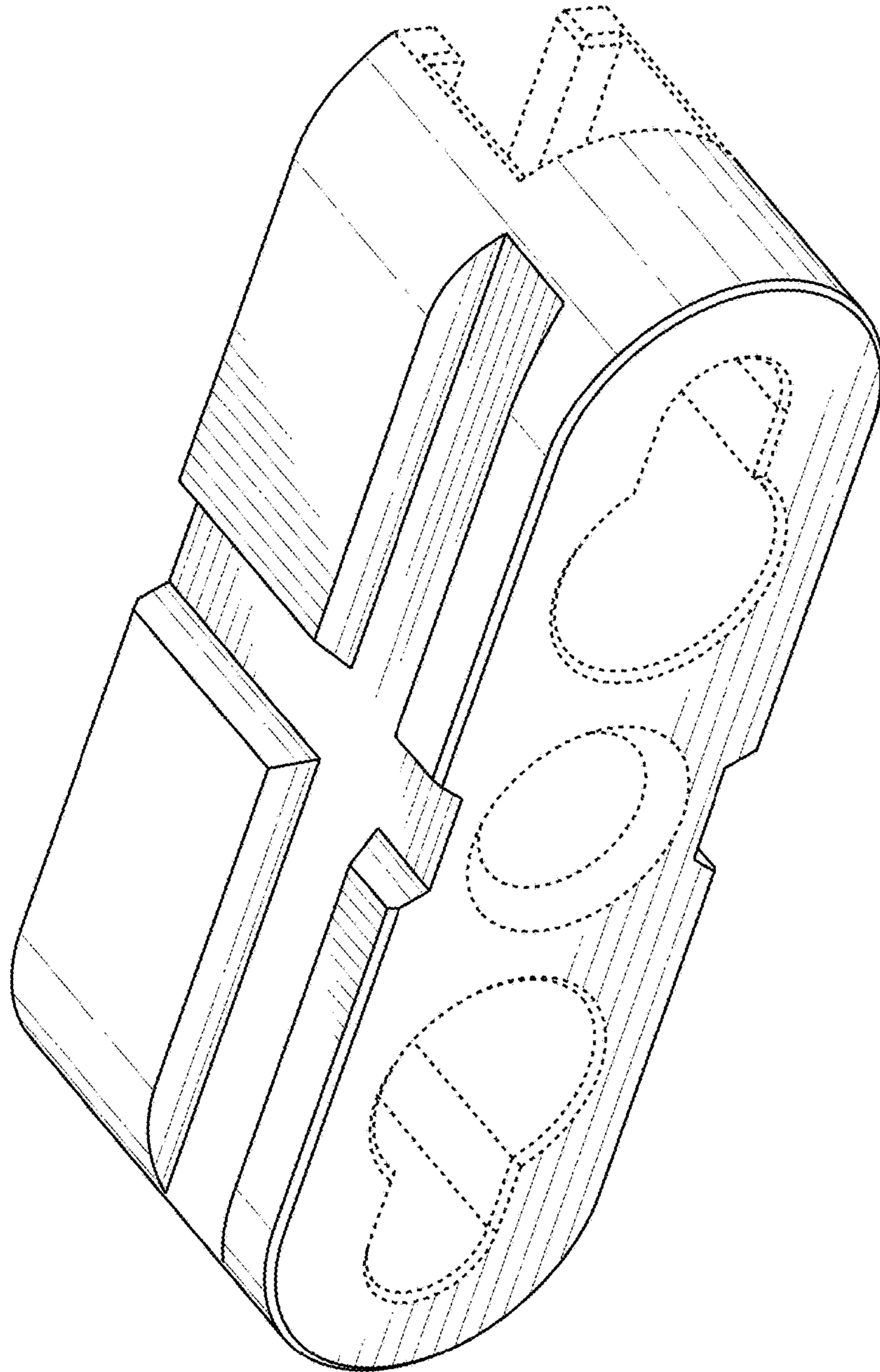


FIG. 8

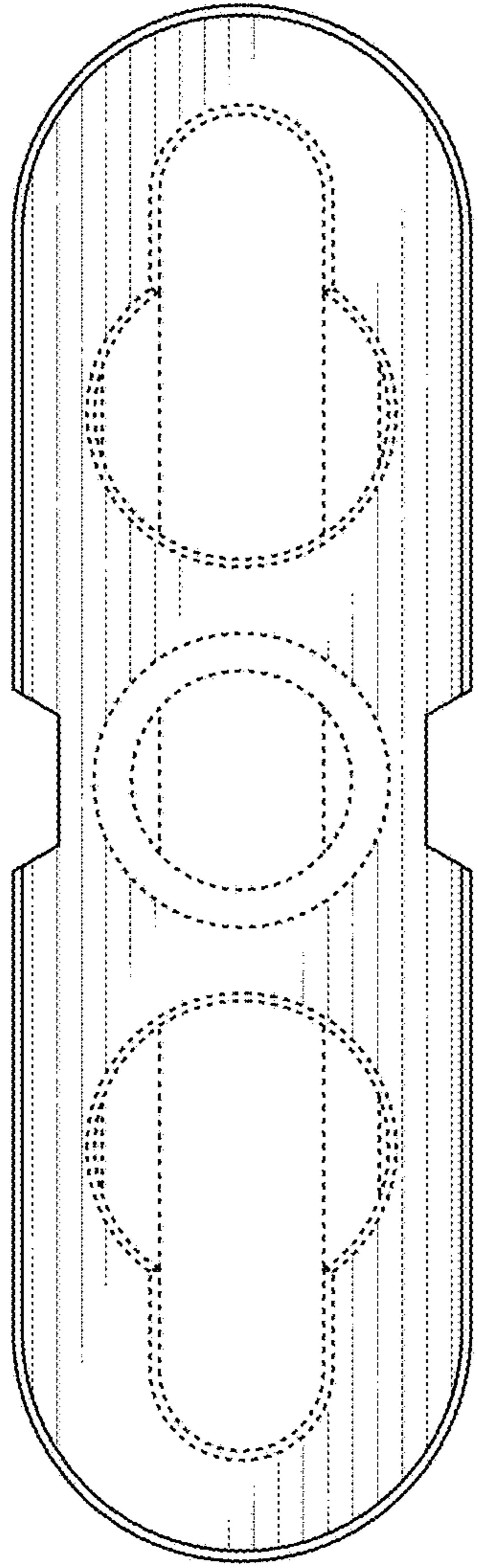


FIG. 9

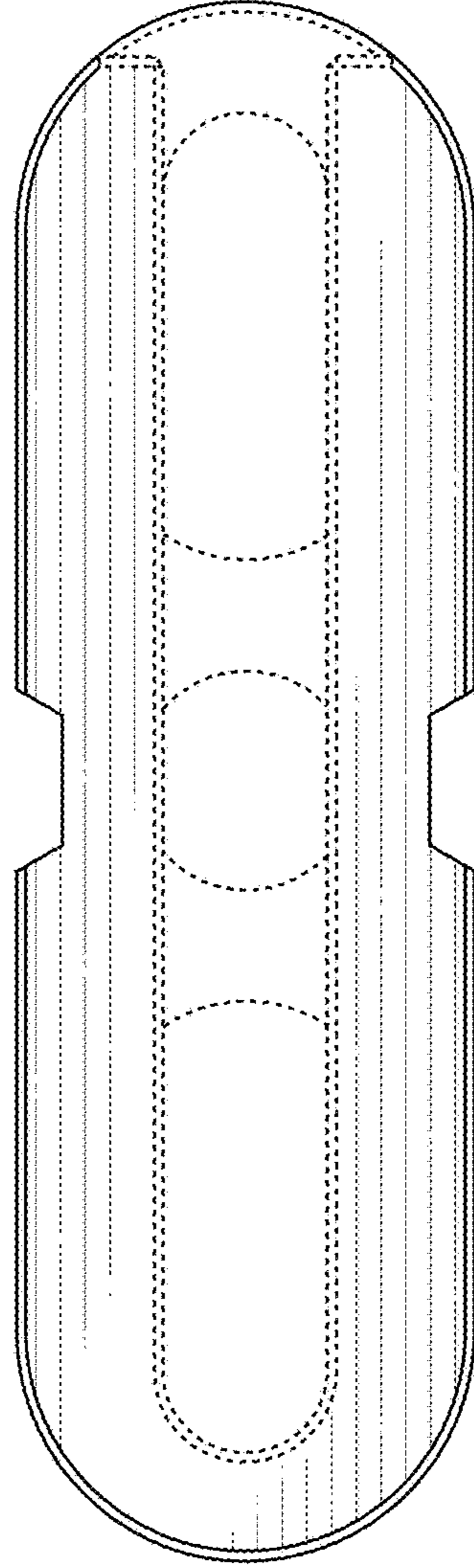


FIG. 10

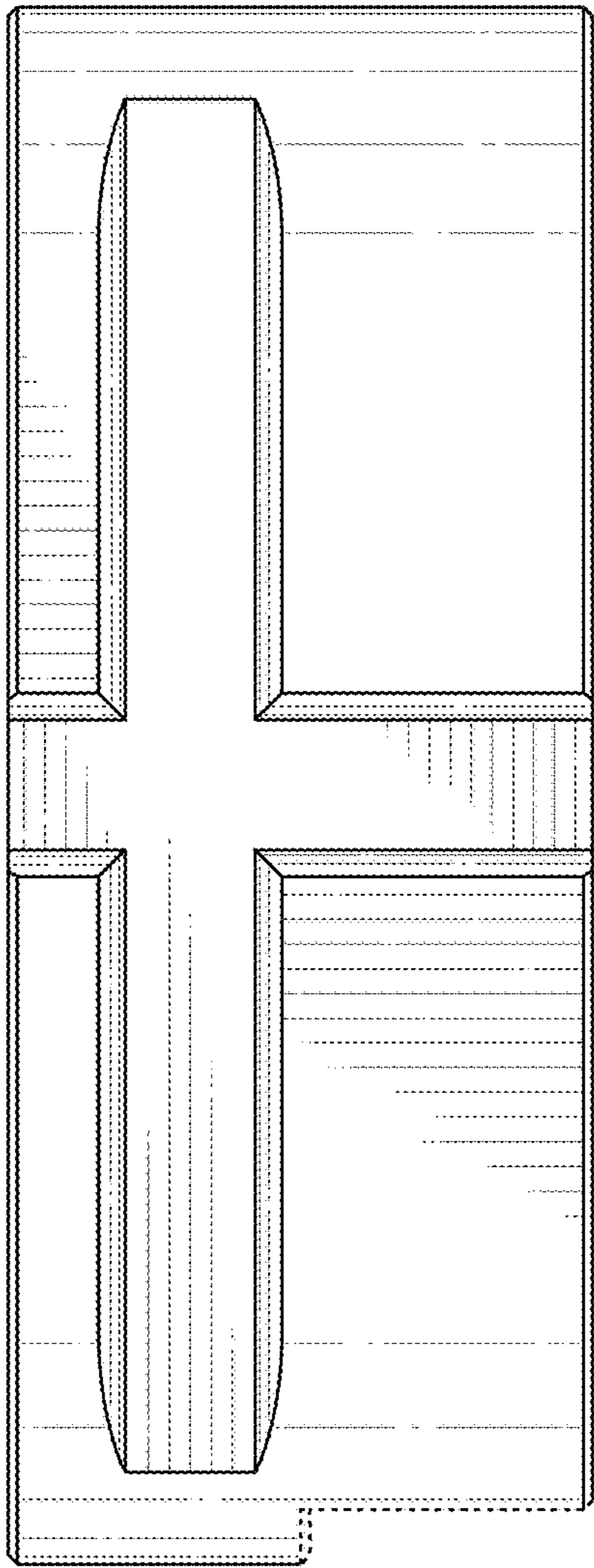


FIG. 11

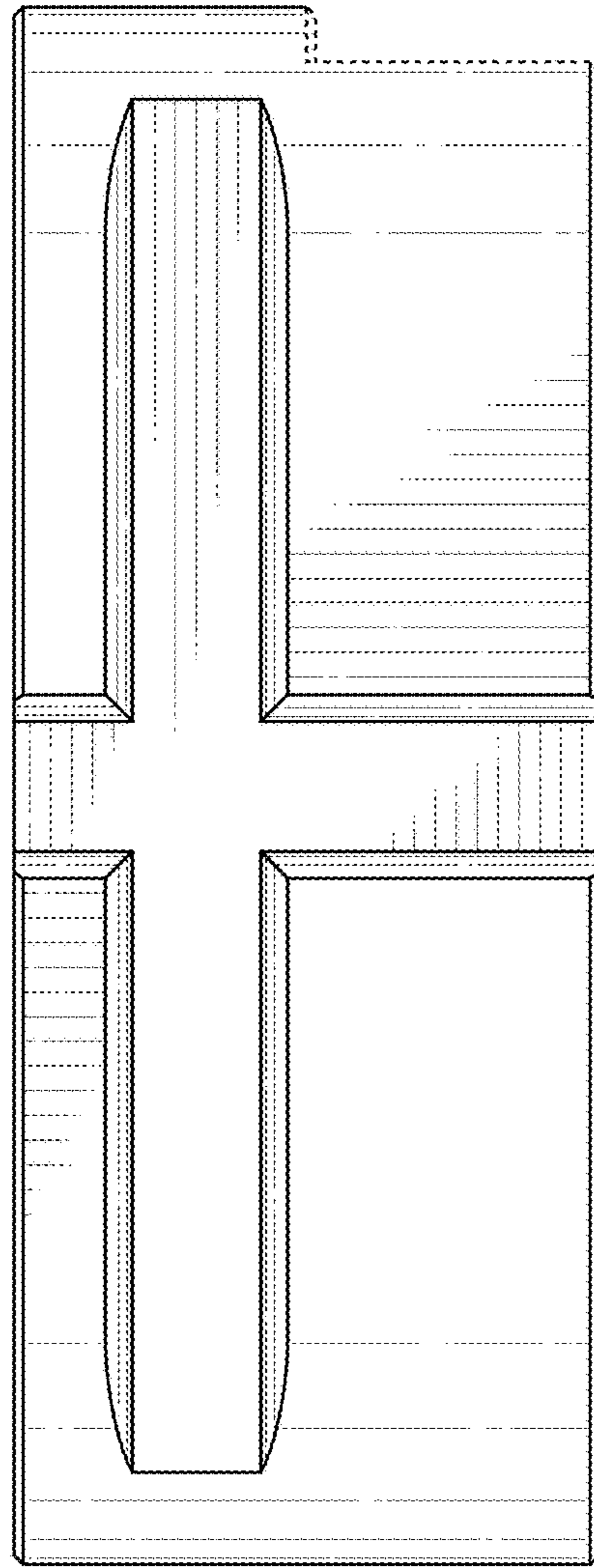


FIG. 12

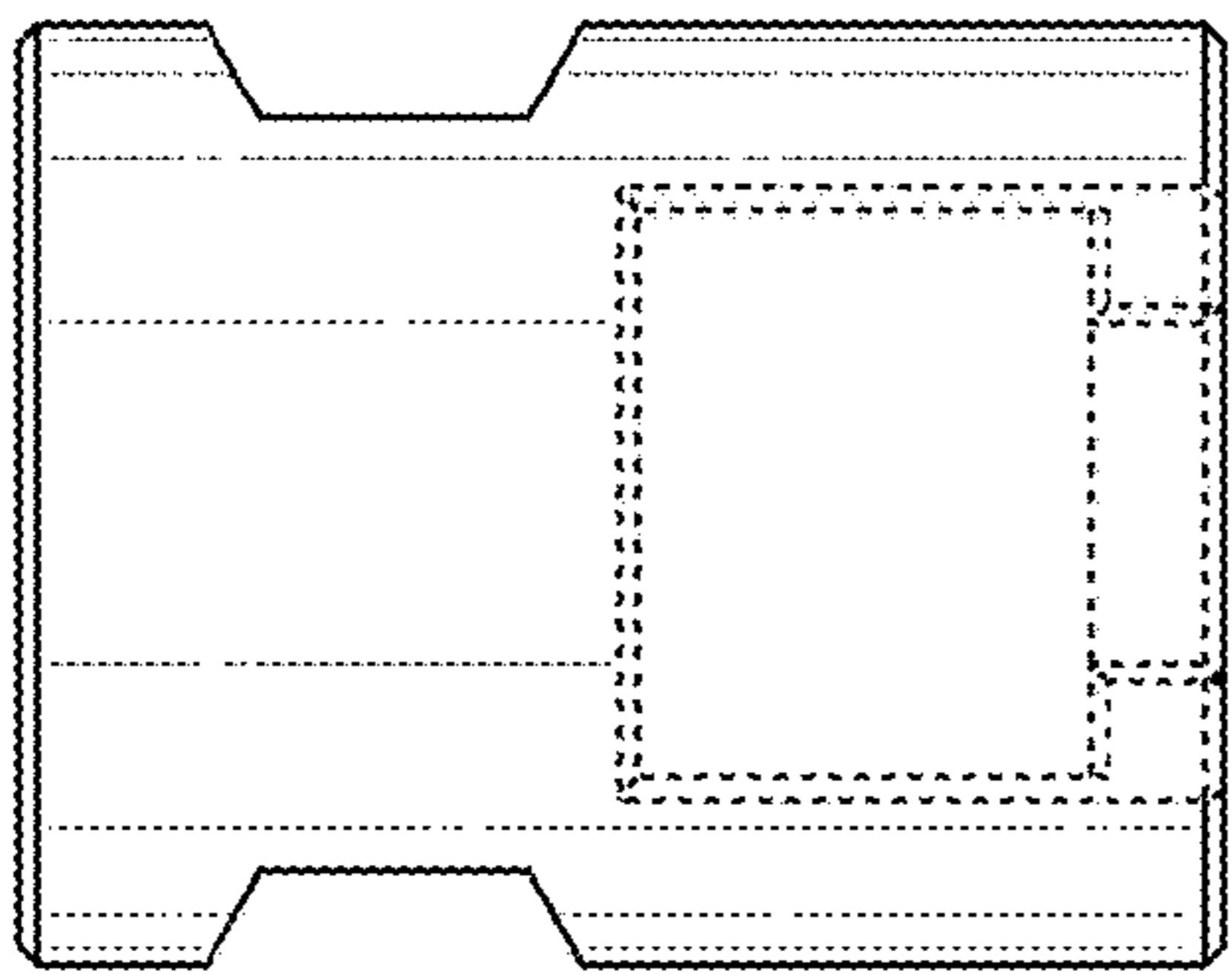


FIG. 13

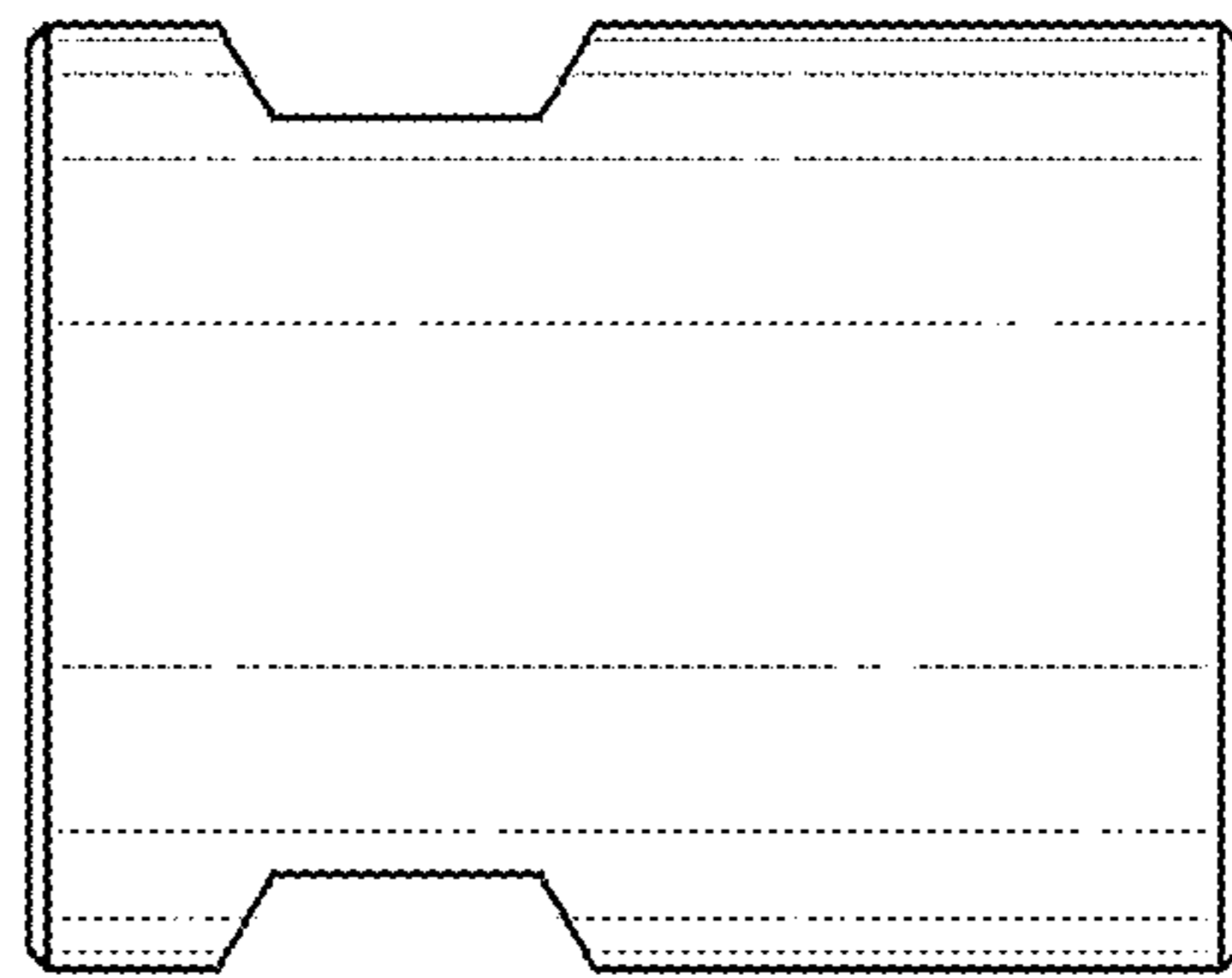


FIG. 14