



US00D779570S

(12) **United States Design Patent**
Larsson et al.

(10) **Patent No.:** **US D779,570 S**

(45) **Date of Patent:** **** Feb. 21, 2017**

(54) **CRUSHER**

(71) Applicant: **SANDVIK INTELLECTUAL
PROPERTY AB**, Sandviken (SE)

(72) Inventors: **Mikael Larsson**, Sandviken (SE);
Anders Hallberg, Sandviken (SE);
Thomas Ohlsson, Sandviken (SE)

(73) Assignee: **SANDVIK INTELLECTUAL
PROPERTY AB**, Sandviken (SE)

(**) Term: **14 Years**

(21) Appl. No.: **29/520,715**

(22) Filed: **Mar. 17, 2015**

(30) **Foreign Application Priority Data**

Sep. 18, 2014 (EP) 001420889-0001
Sep. 18, 2014 (EP) 001420889-0002
Sep. 18, 2014 (EP) 001420889-0003
Sep. 18, 2014 (EP) 001420889-0004

(51) **LOC (10) Cl.** **15-09**

(52) **U.S. Cl.**
USPC **D15/123**

(58) **Field of Classification Search**
USPC .. D15/122, 123; 72/448, 455, 465; 100/207,
100/208, 214, 268, 282, 292; 241/31, 58,
241/159, 179, 186, 236, 285; 435/86, 135,
435/347, 348.5, 349, 350, 353, 355, 358,
435/360
See application file for complete search history.

(56) **References Cited**

U.S. PATENT DOCUMENTS

3,843,068 A * 10/1974 Allen B02C 2/04
228/185
8,070,084 B2 * 12/2011 Biggin B02C 2/06
241/209

D716,853 S * 11/2014 Malmqvist D15/123
D730,415 S * 5/2015 Malmqvist D15/123
2011/0006143 A1 * 1/2011 Gunnarsson B02C 2/04
241/215
2012/0223171 A1 * 9/2012 Flath B02C 2/04
241/207
2013/0075508 A1 * 3/2013 Stemper B02C 2/005
241/207
2013/0334348 A1 * 12/2013 Dricken B02C 2/047
241/32
2014/0084095 A1 * 3/2014 Glauberman B02C 18/142
241/277

* cited by examiner

Primary Examiner — Patricia Palasik

(74) *Attorney, Agent, or Firm* — Corinne R. Gorski

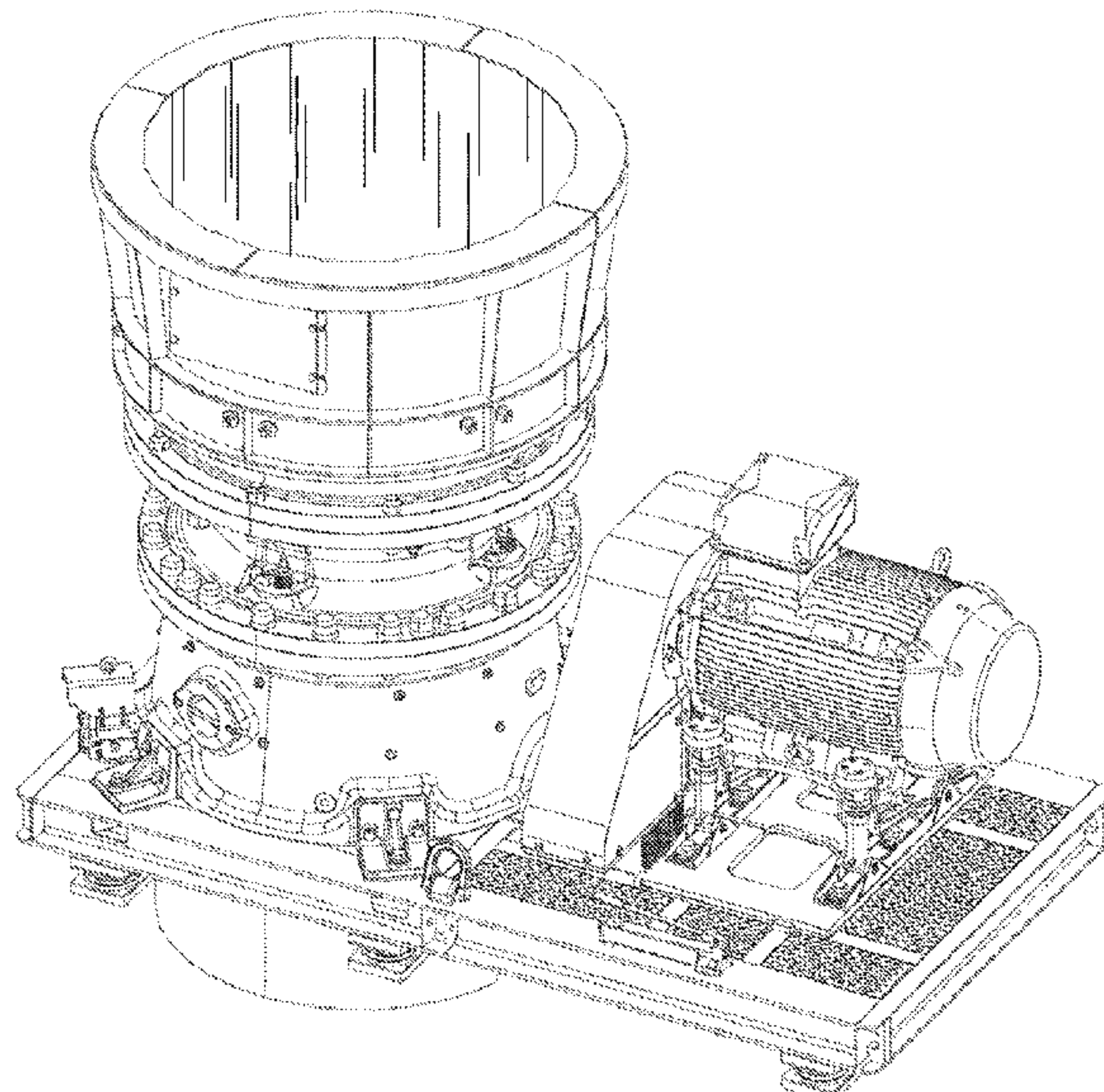
(57) **CLAIM**

The ornamental design for a crusher, as shown and described.

DESCRIPTION

FIG. 1 is a front perspective view of a first embodiment of a crusher according to the present invention;
FIG. 2 is a front view thereof;
FIG. 3 is a back view thereof;
FIG. 4 is a right view thereof;
FIG. 5 is a left side view thereof; and
FIG. 6 is a top view thereof.
FIG. 7 is a front perspective view of a second embodiment of a crusher according to the present invention;
FIG. 8 is a front view thereof;
FIG. 9 is a back view thereof;
FIG. 10 is a right view thereof;
FIG. 11 is a left view thereof; and,
FIG. 12 is a top view thereof.
The broken lines in the drawings depict unclaimed environmental subject matter.

1 Claim, 12 Drawing Sheets



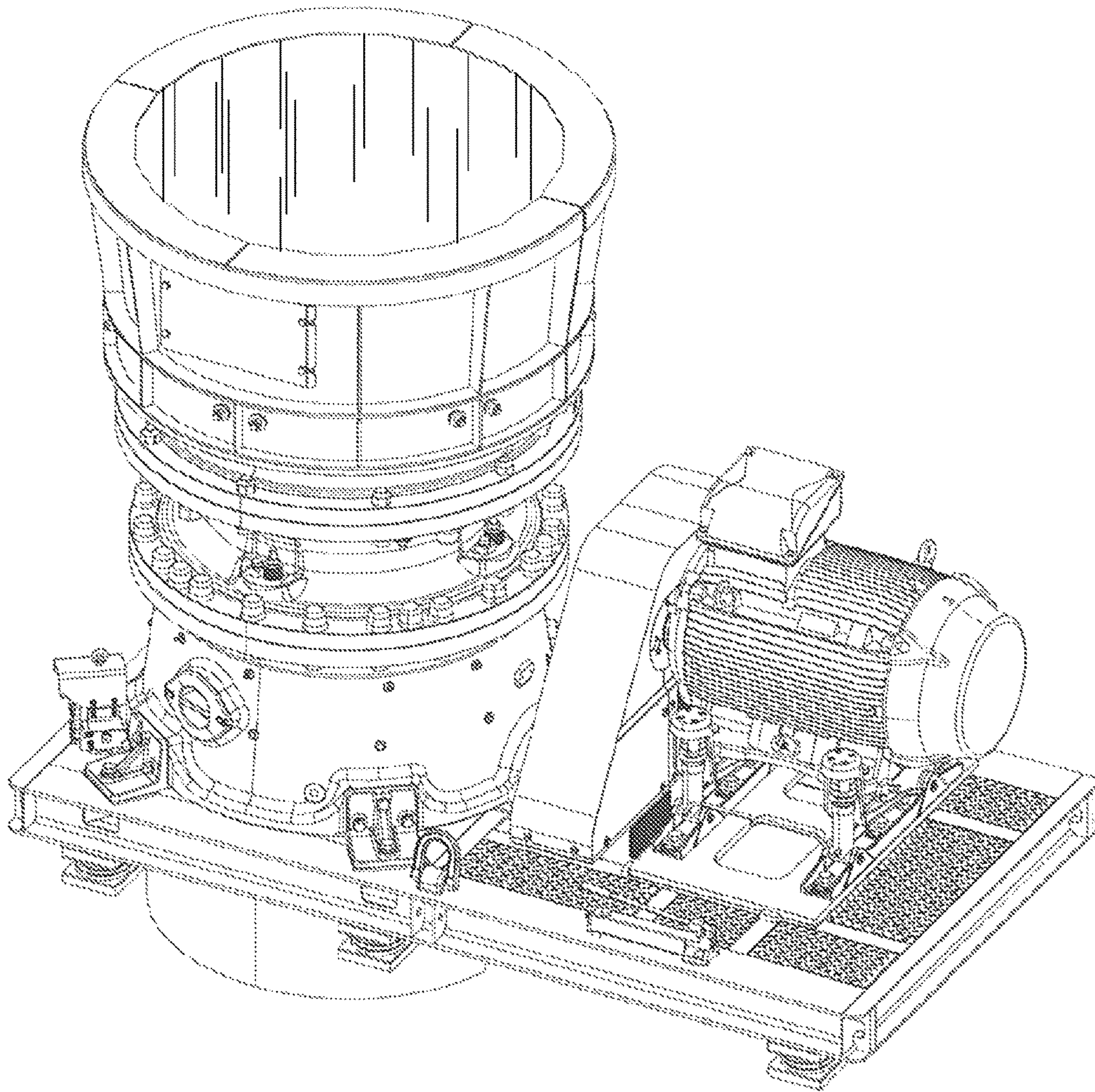


FIG. 1

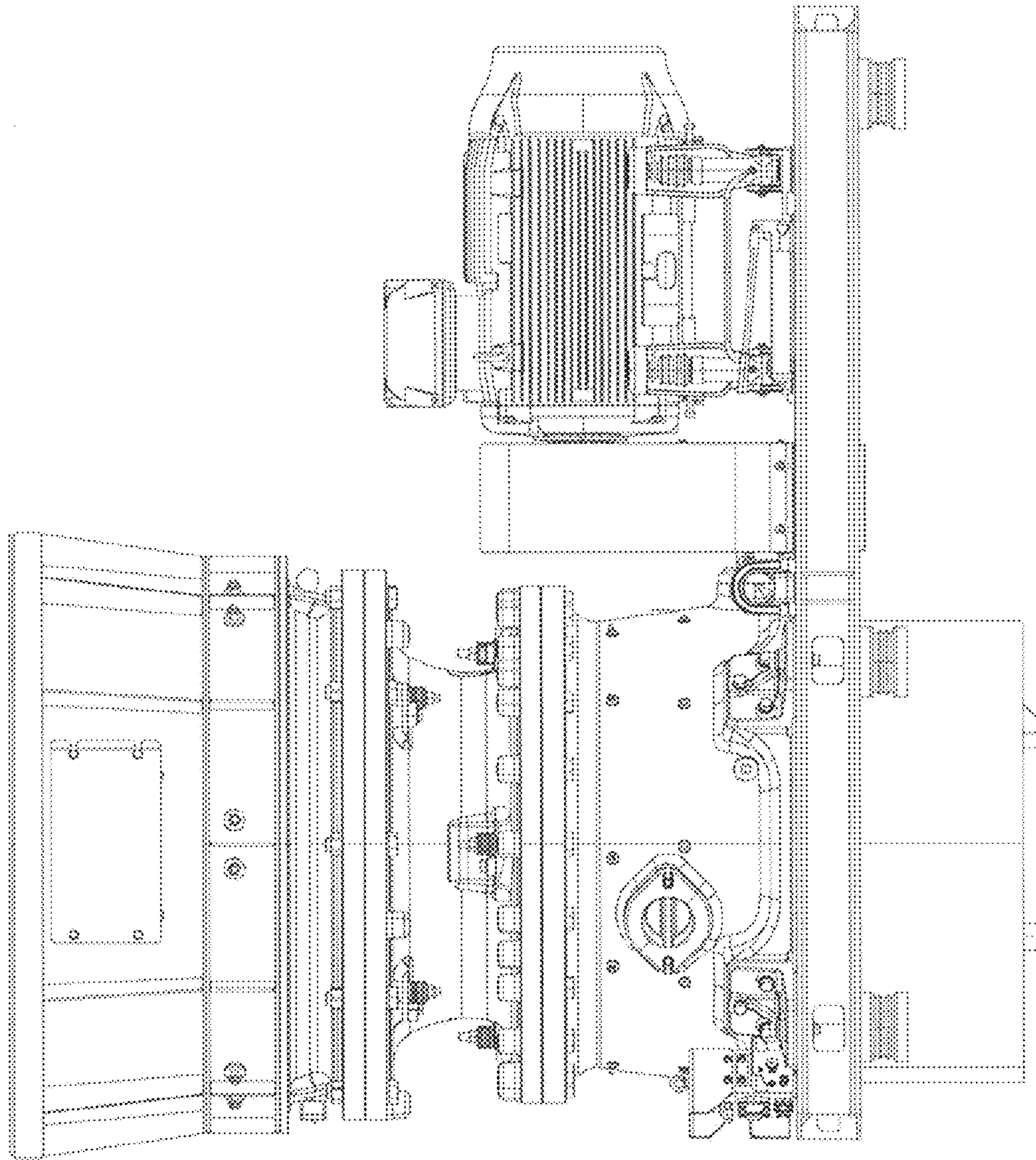


FIG. 2

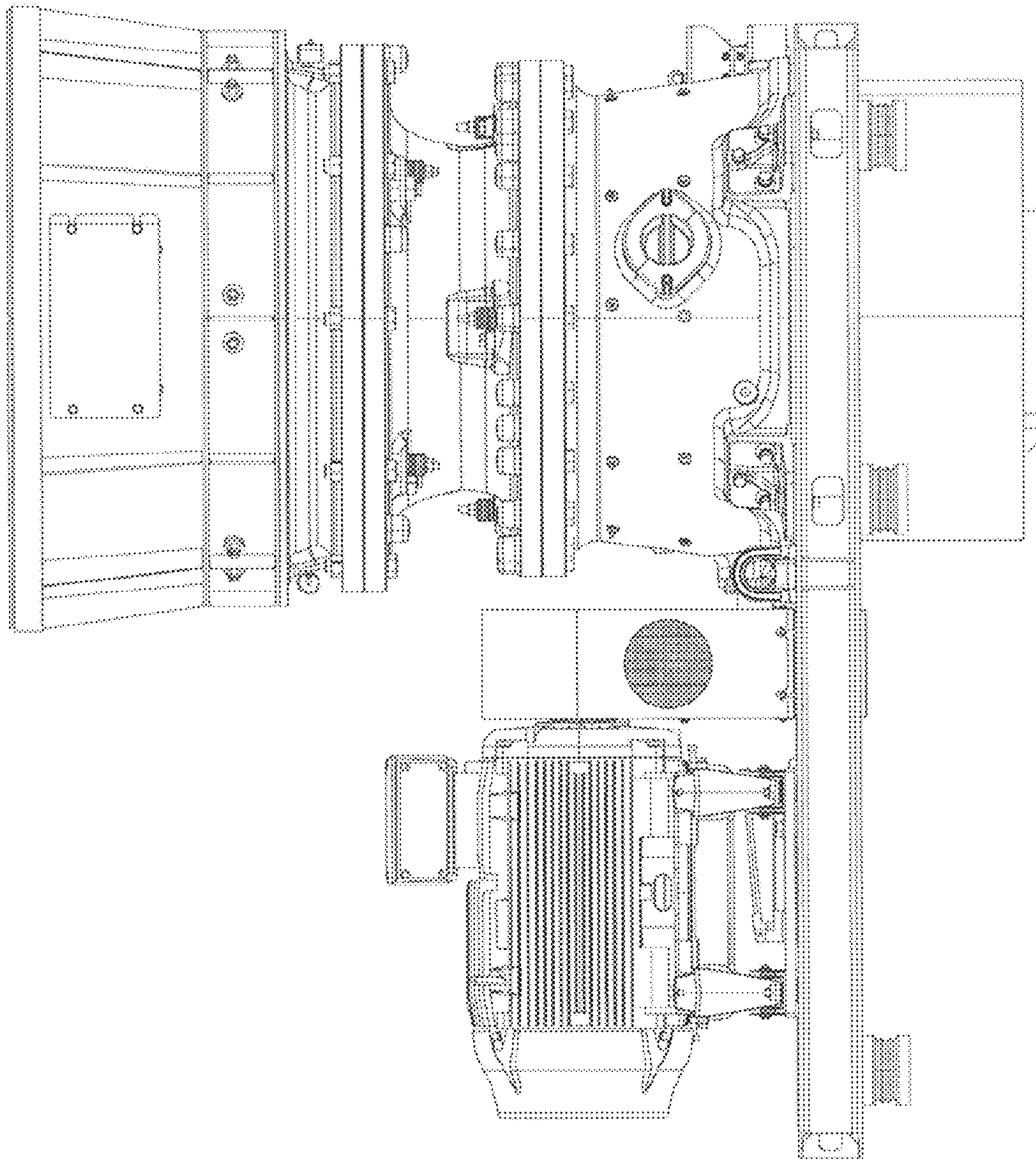


FIG. 3

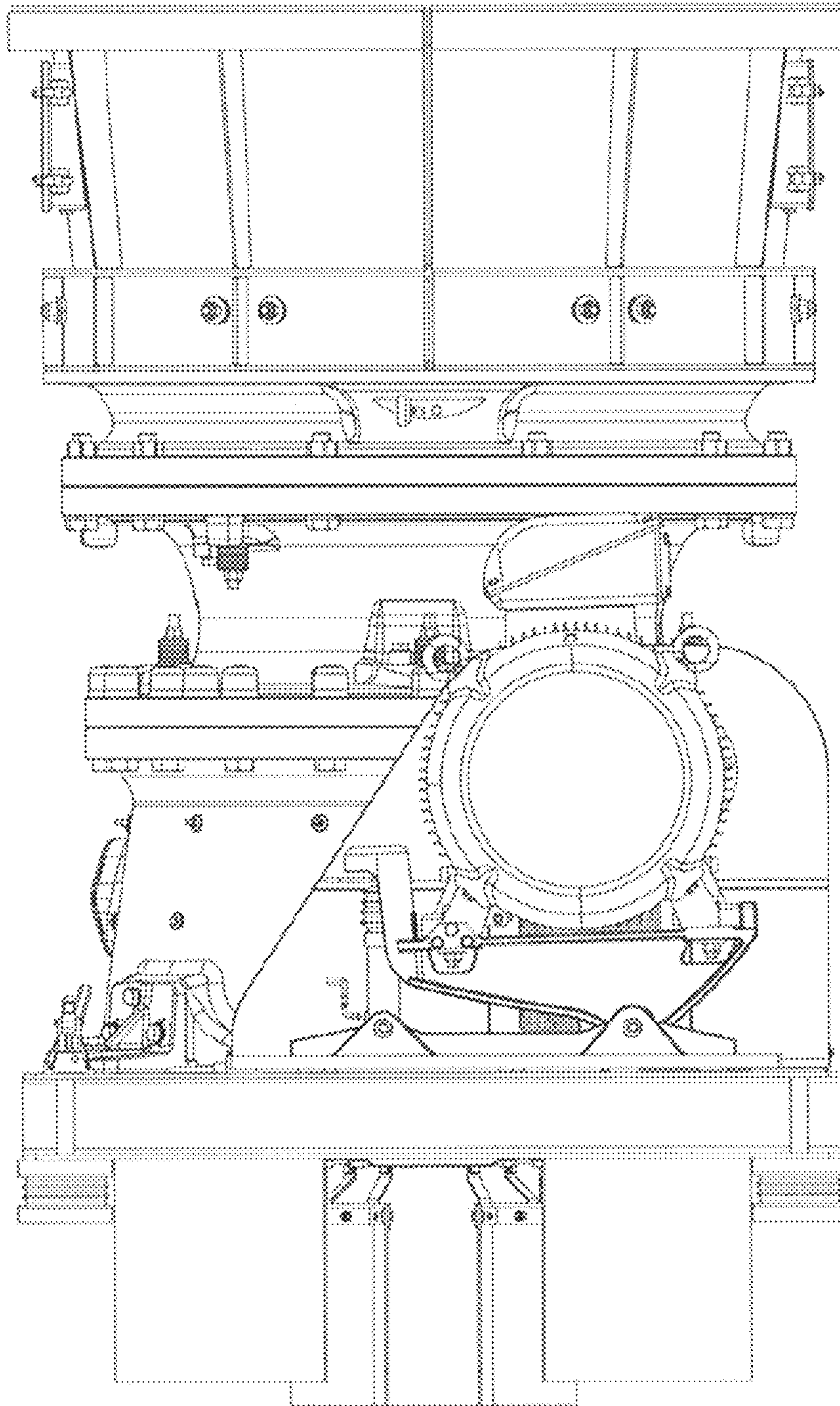


FIG. 4

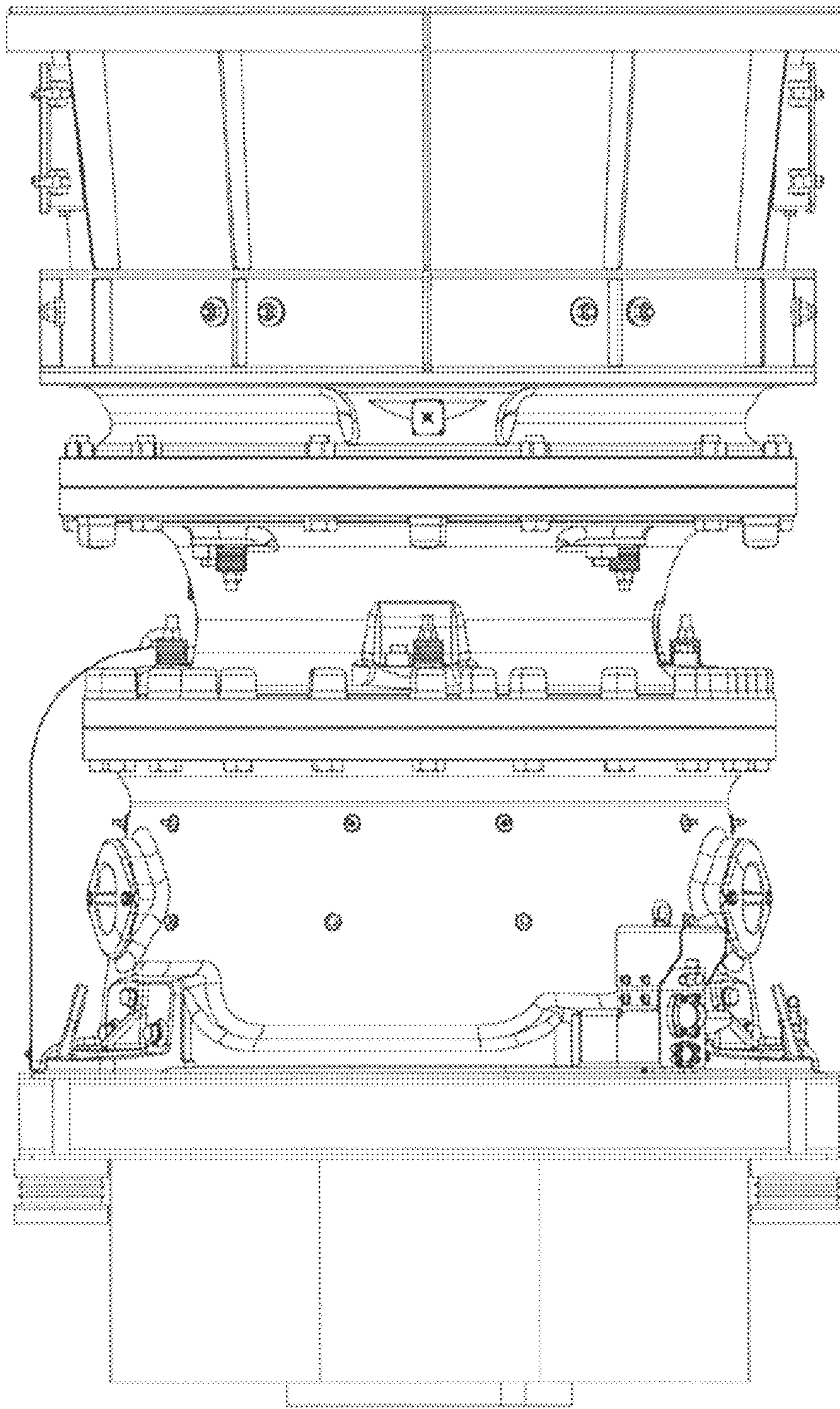


FIG. 5

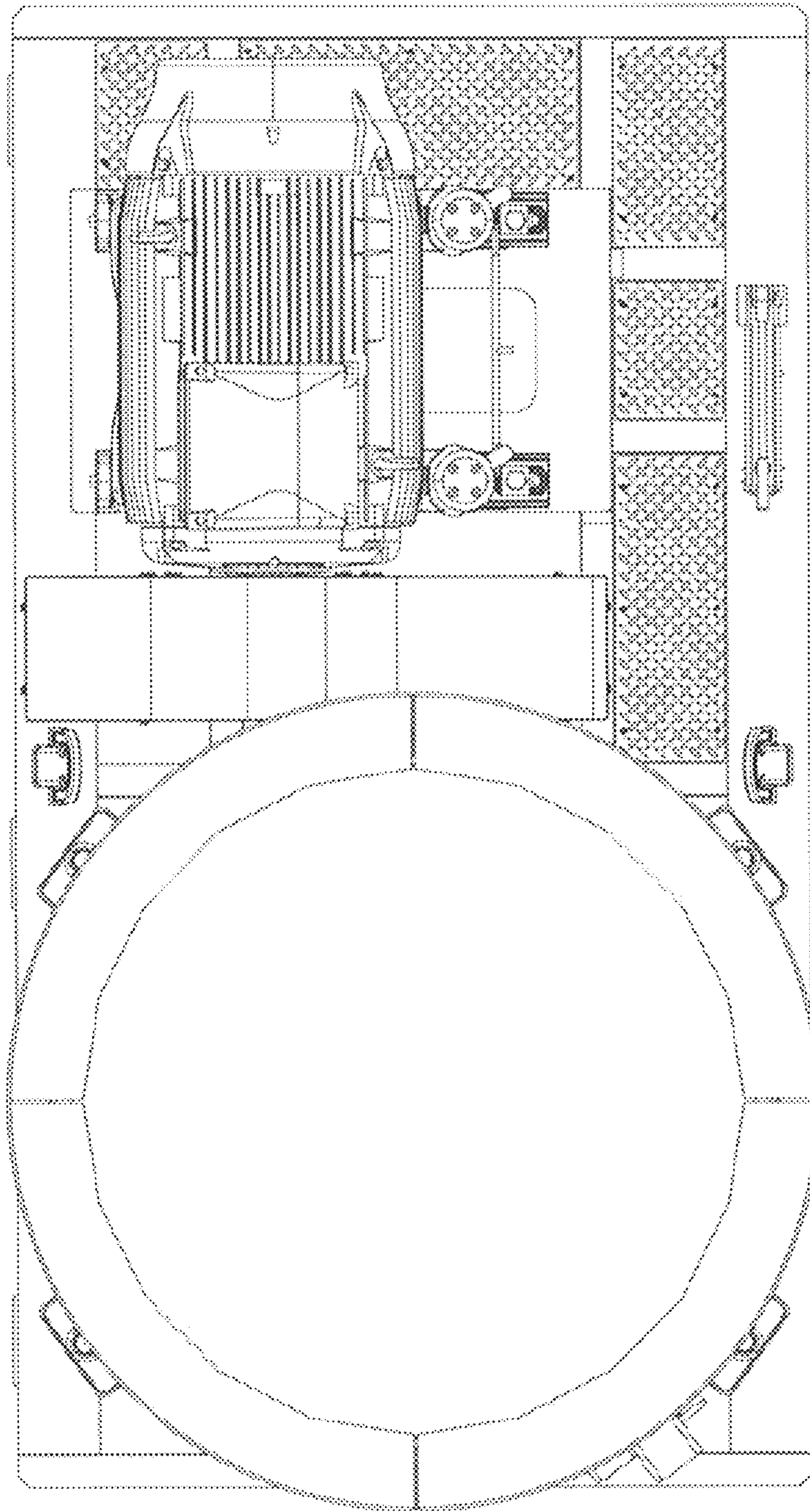


FIG. 6

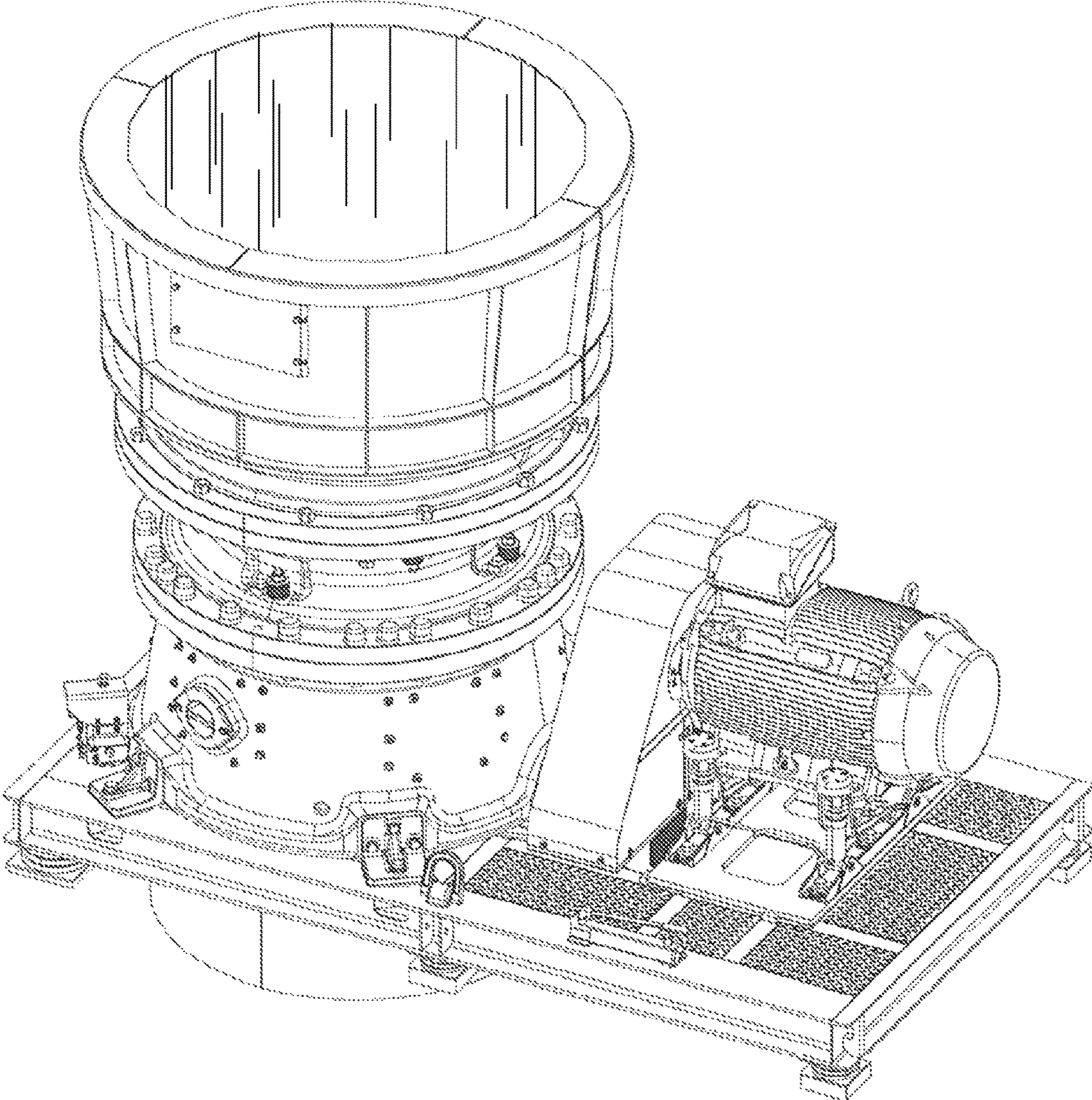


FIG. 7

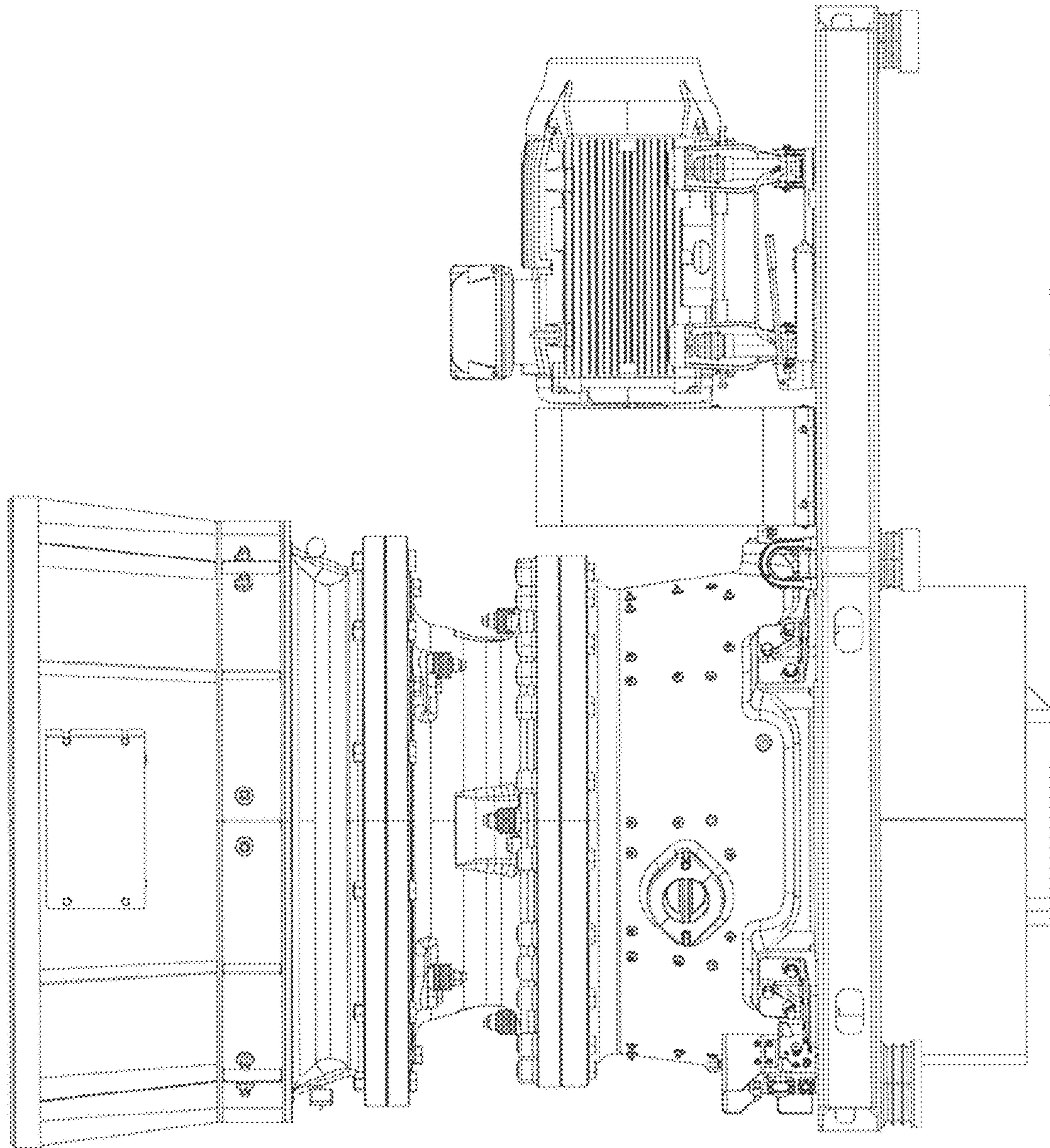


FIG. 8

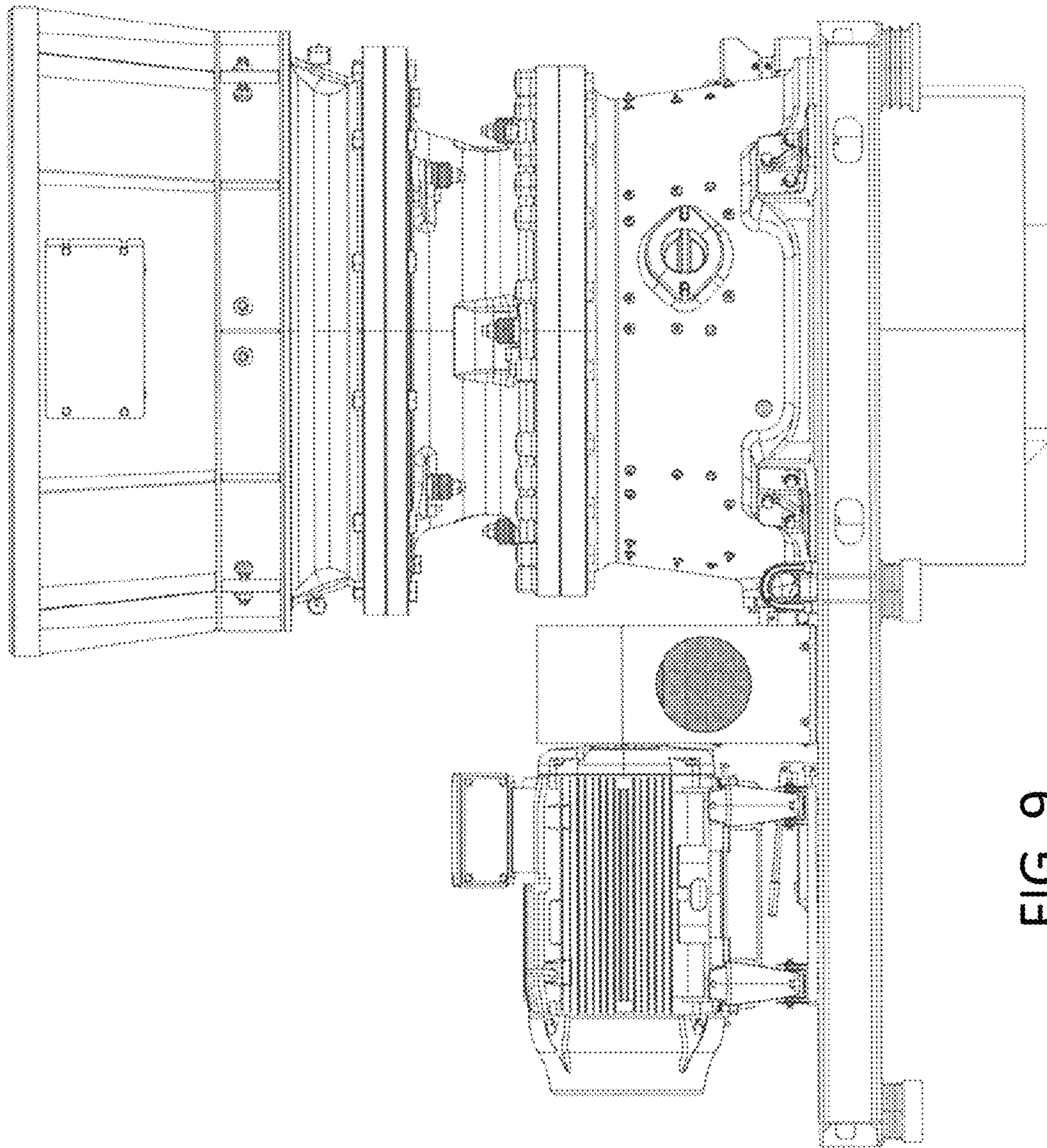


FIG. 9

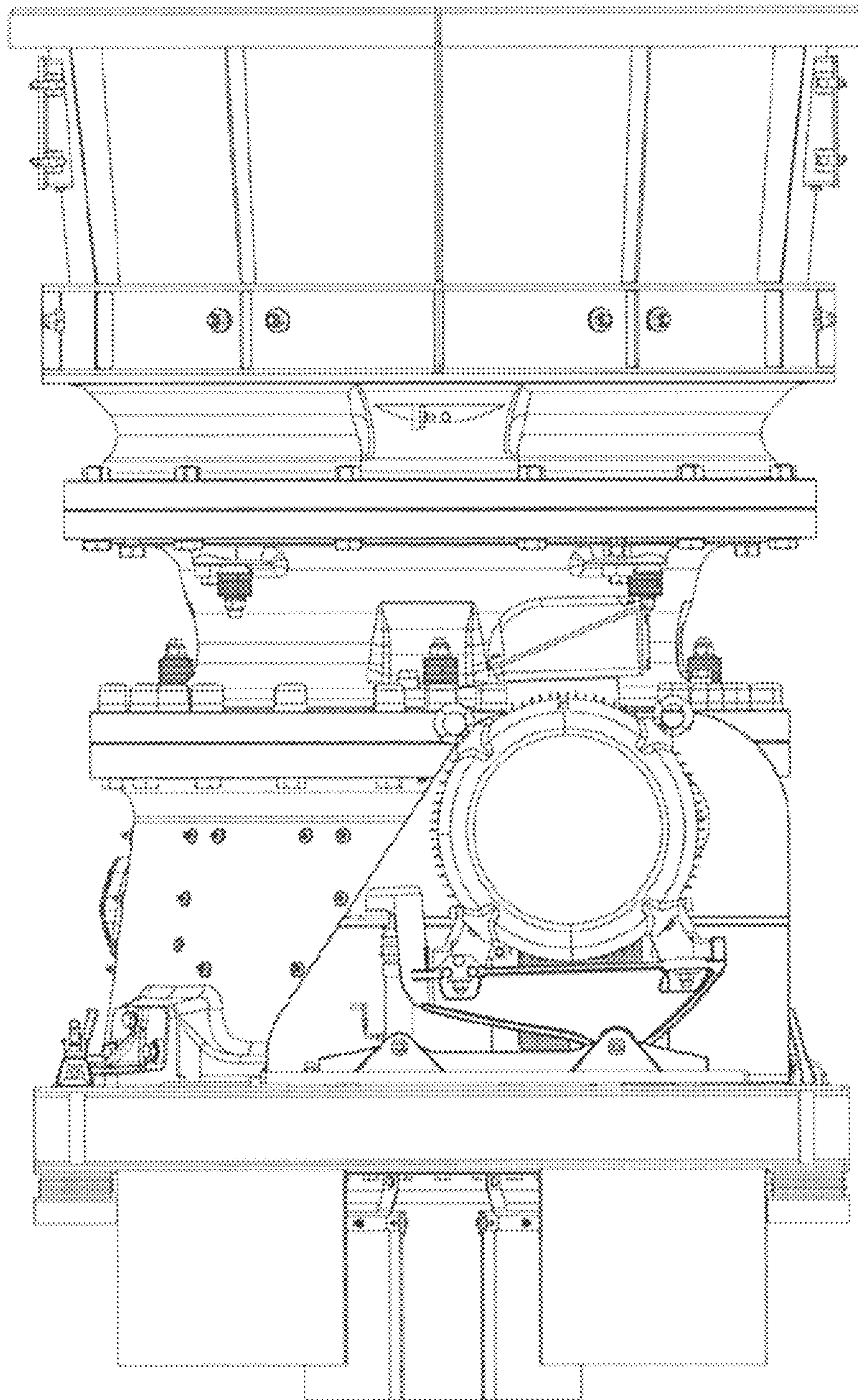


FIG. 10

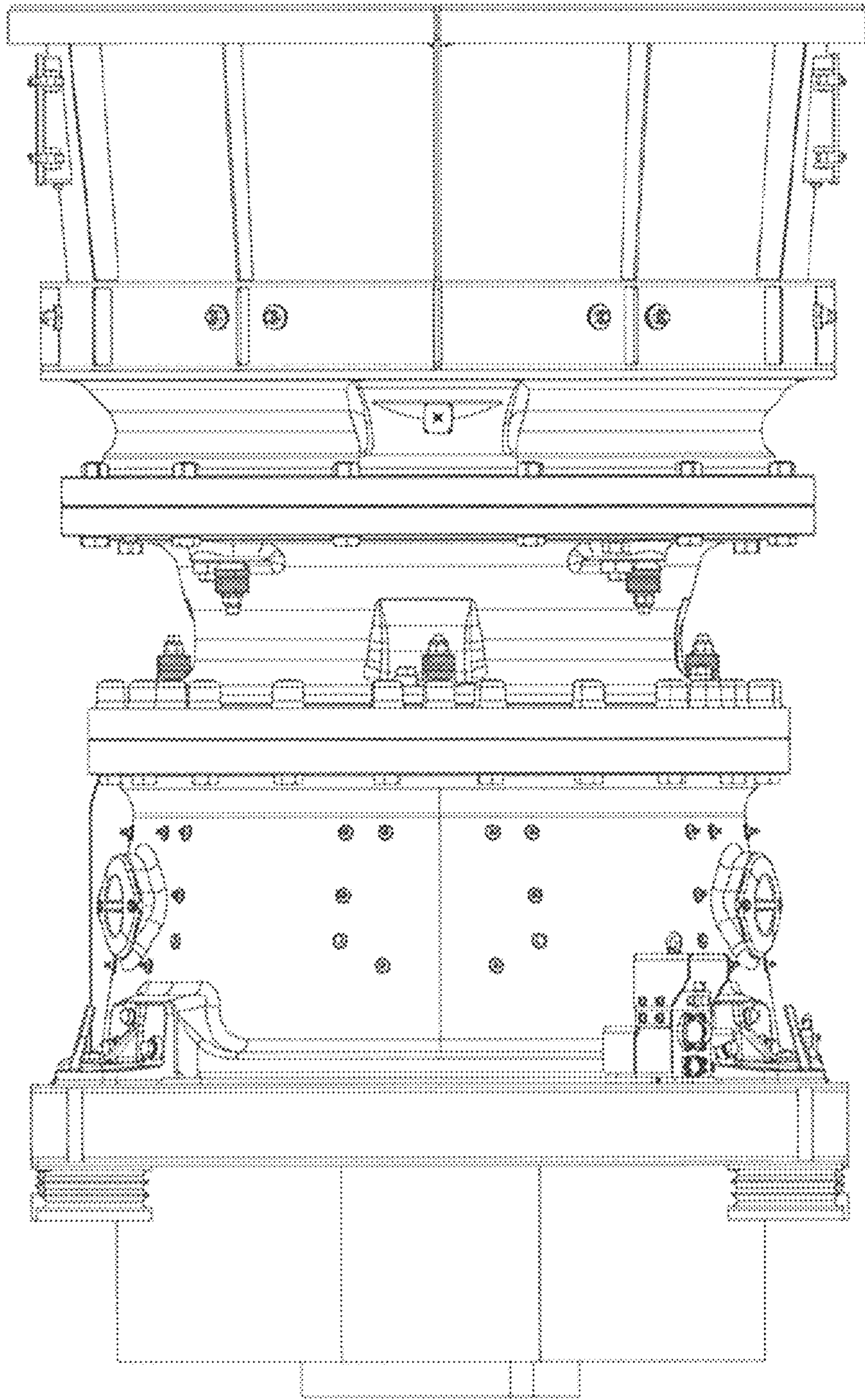


FIG. 11

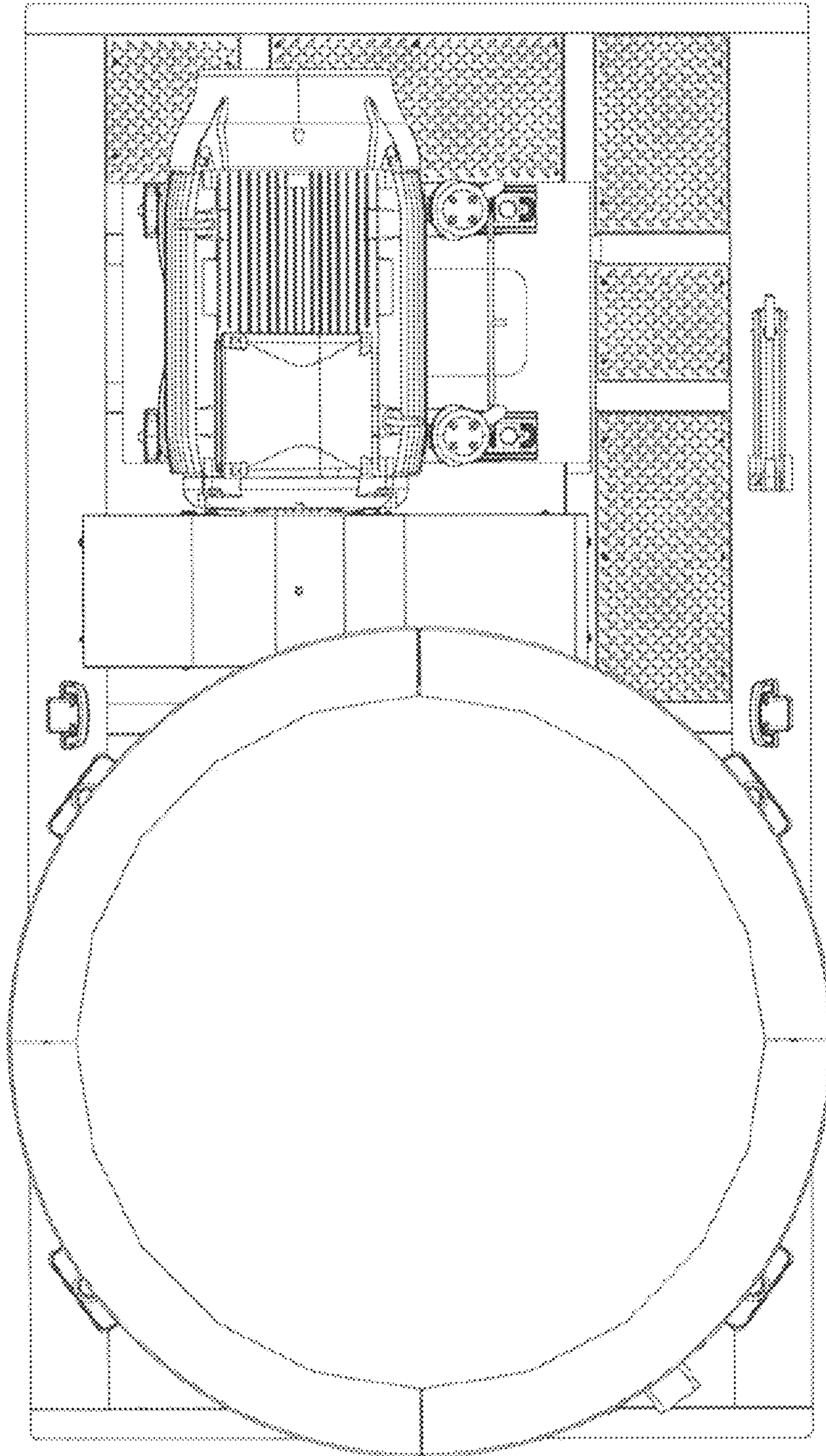


FIG. 12