



US00D779569S

(12) **United States Design Patent**
McConnell et al.

(10) **Patent No.:** **US D779,569 S**

(45) **Date of Patent:** **** Feb. 21, 2017**

(54) **DOOR BIN**

(71) Applicant: **WHIRLPOOL CORPORATION**,
Benton Harbor, MI (US)

(72) Inventors: **Jessica R. McConnell**, St. Joseph, MI (US); **Daniel Henry Quinlan**, Stevensville, MI (US); **Michael S. Seeley**, South Haven, MI (US); **Kelly E. Roche**, Berkley, CA (US)

(73) Assignee: **Whirlpool Corporation**, Benton Harbor, MI (US)

(**) Term: **15 Years**

(21) Appl. No.: **29/548,393**

(22) Filed: **Dec. 14, 2015**

Related U.S. Application Data

(62) Division of application No. 29/485,380, filed on Mar. 18, 2014, now Pat. No. Des. 748,165.

(51) **LOC (10) Cl.** **15-07**

(52) **U.S. Cl.**
USPC **D15/89**

(58) **Field of Classification Search**
USPC D15/79-91
CPC F25D 23/028; F25D 23/02; F25D 25/025; F25D 23/00; F25D 2323/021; F25D 11/00; F25D 2323/024; F25D 23/04; F25D 29/00; F25D 25/02; F25D 25/024; F25D 27/005; F25D 23/12; F25D 29/005; F25D 17/042; F25D 2325/021
See application file for complete search history.

(56) **References Cited**

U.S. PATENT DOCUMENTS

D669,506 S * 10/2012 Czach D15/89
D694,288 S * 11/2013 Hottmann D15/89

D709,928 S * 7/2014 Park D15/89
D710,406 S * 8/2014 Seo D15/89
D747,369 S * 1/2016 McConnell D15/89
D748,165 S * 1/2016 McConnell D15/89
D754,759 S * 4/2016 McConnell D15/89

* cited by examiner

Primary Examiner — Daniel Bui
Assistant Examiner — Khawaja Anwar

(57) **CLAIM**

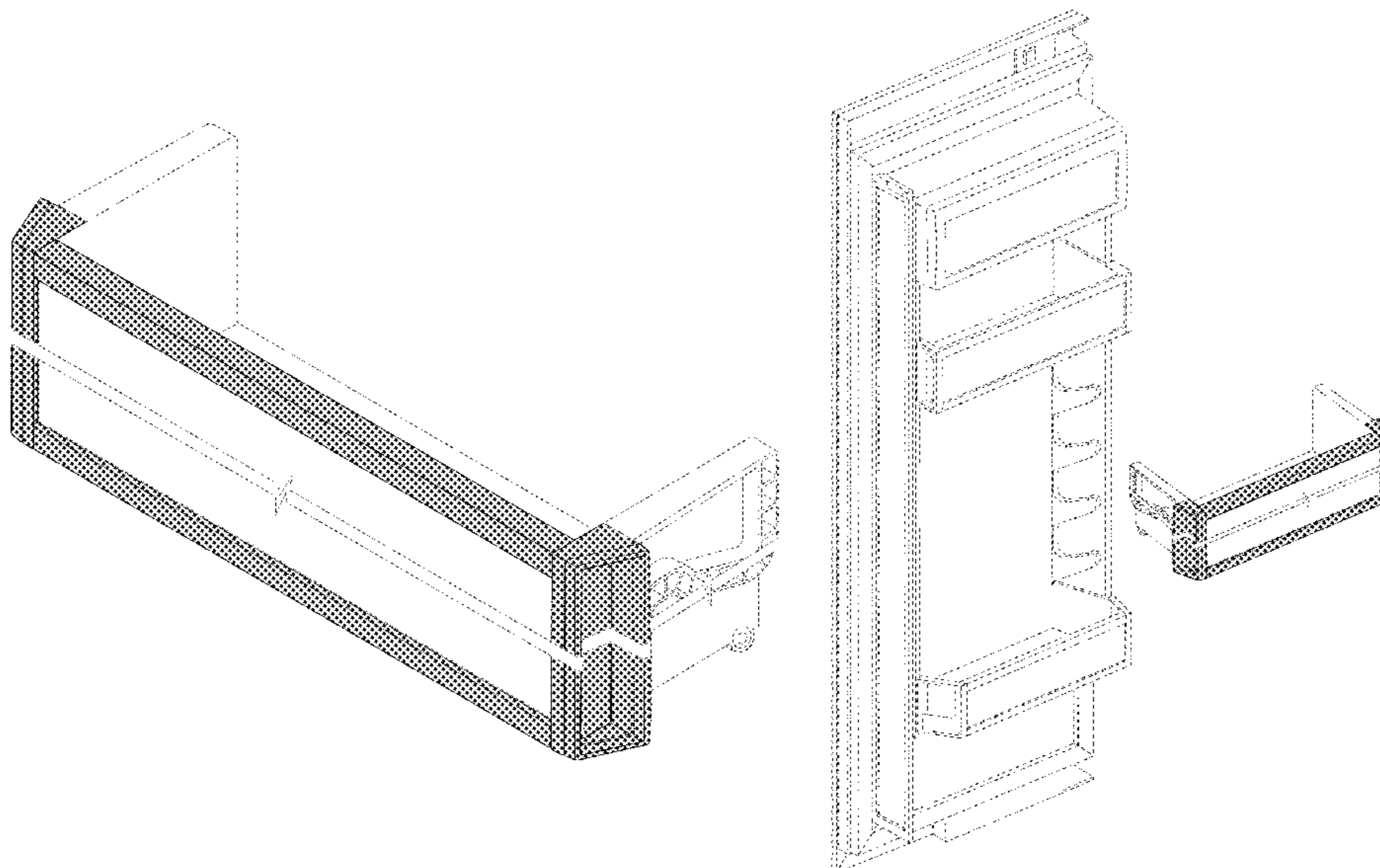
The ornamental design for a door bin, as shown and described.

DESCRIPTION

FIG. 1 is a perspective view of a door bin showing our new design;
FIG. 2 is a front elevation view thereof;
FIG. 3 is a rear elevation view thereof;
FIG. 4 is a top plan view thereof;
FIG. 5 is a bottom plan view thereof;
FIG. 6 is a left side elevation view thereof;
FIG. 7 is a right side elevation view thereof; and,
FIG. 8 is another perspective view thereof, shown in use condition.

The broken line in the figure drawings represents unclaimed environment only and forms no part of the claimed design; the dot-dash broken line in the figure drawings represents an unclaimed boundary of the claimed design; the break lines that separate the parts of the door bin and the portion within the break lines represent indeterminate length and form no part of the claimed design; the shaded portions shown in the drawings represent the color silver.

1 Claim, 7 Drawing Sheets



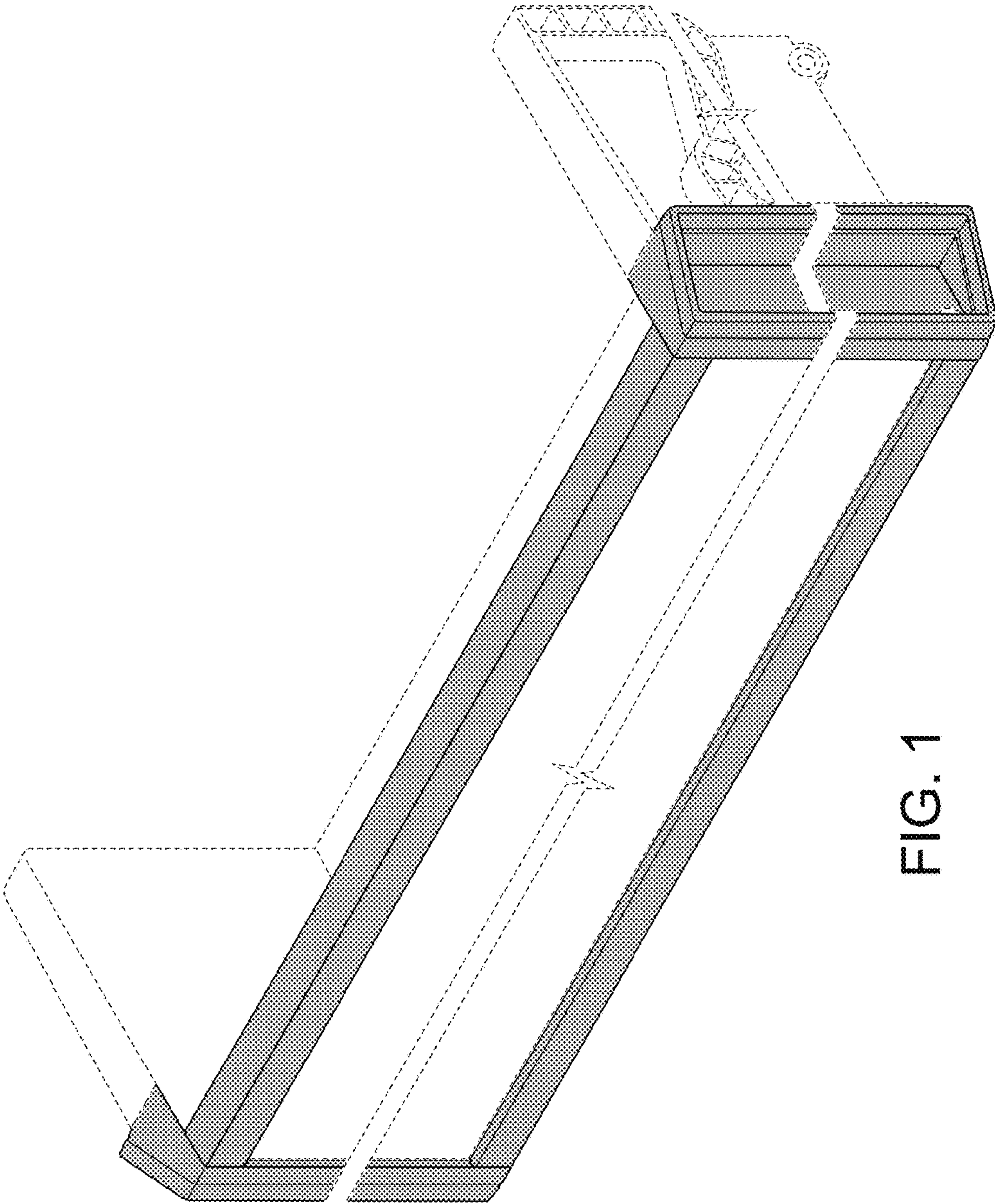


FIG. 1

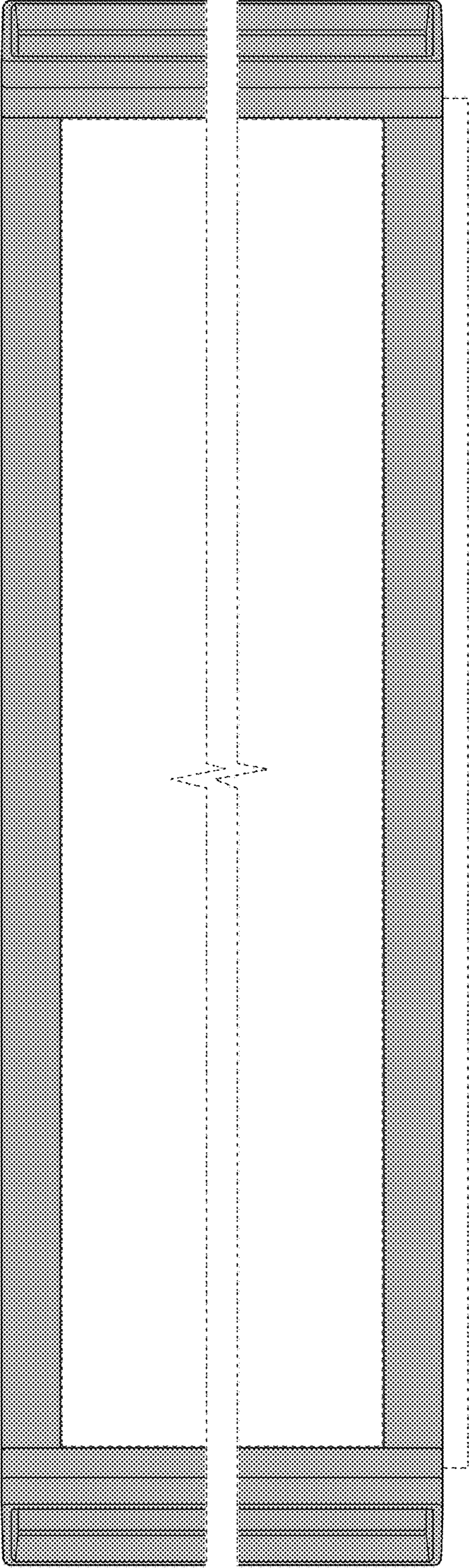


FIG. 2

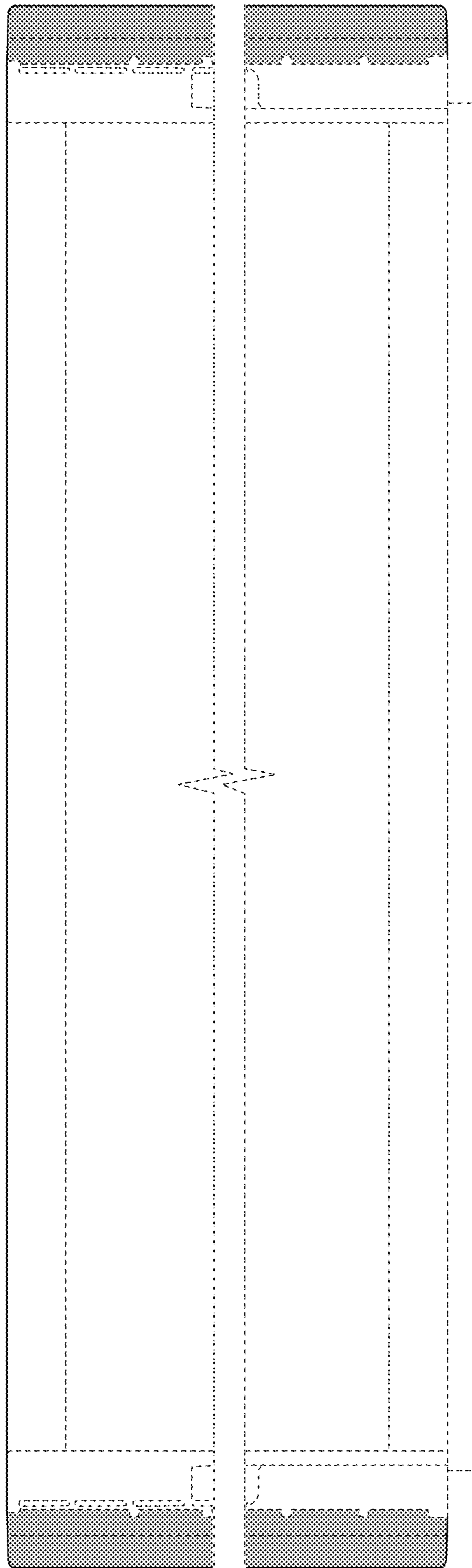


FIG. 3

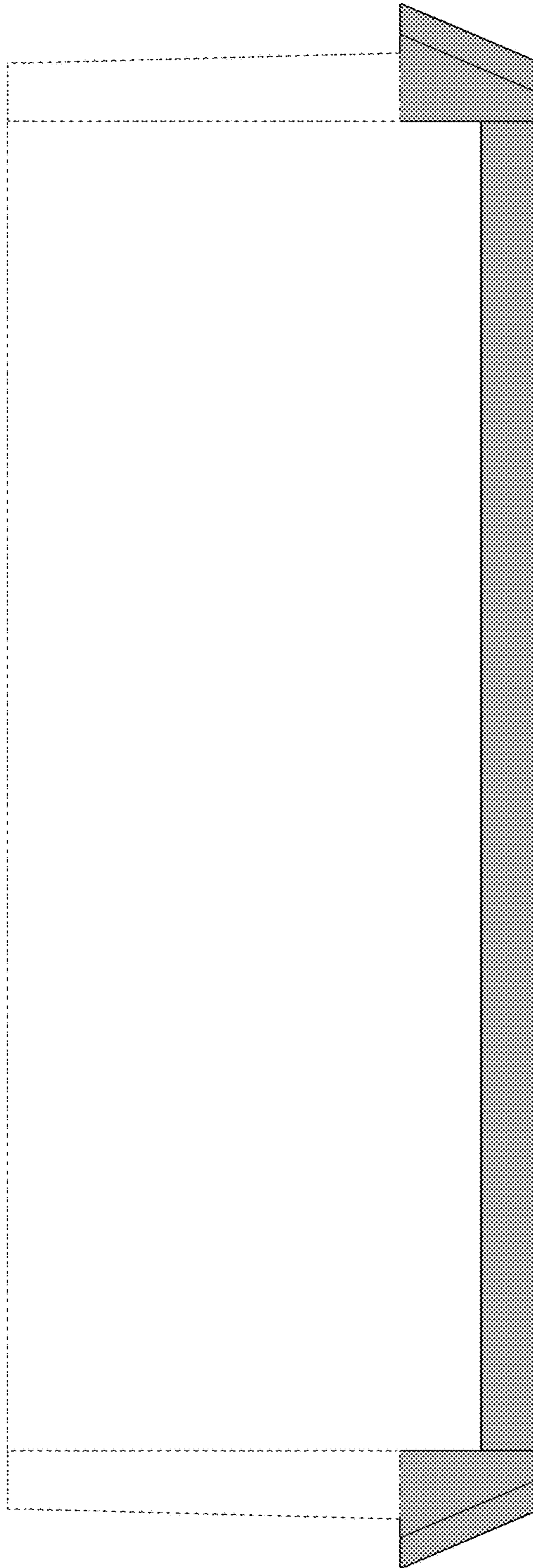


FIG. 4

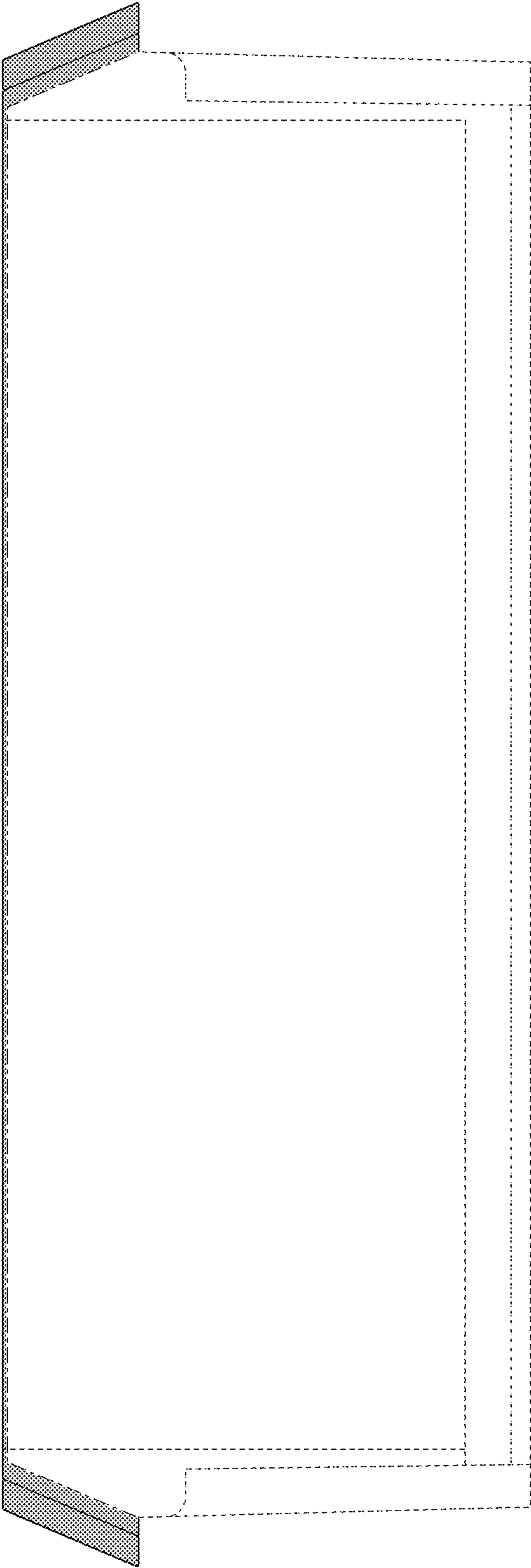


FIG. 5

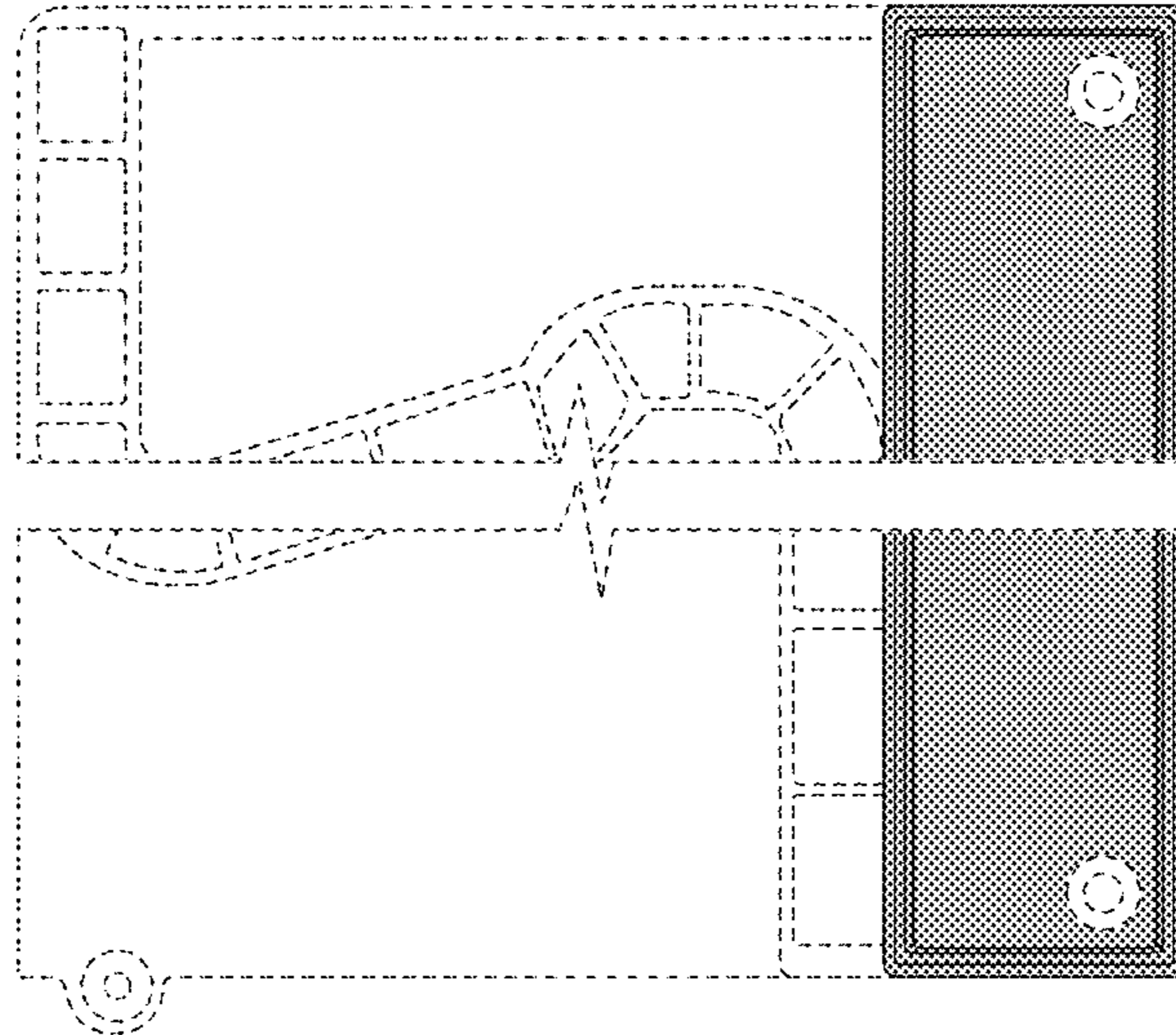


FIG. 6

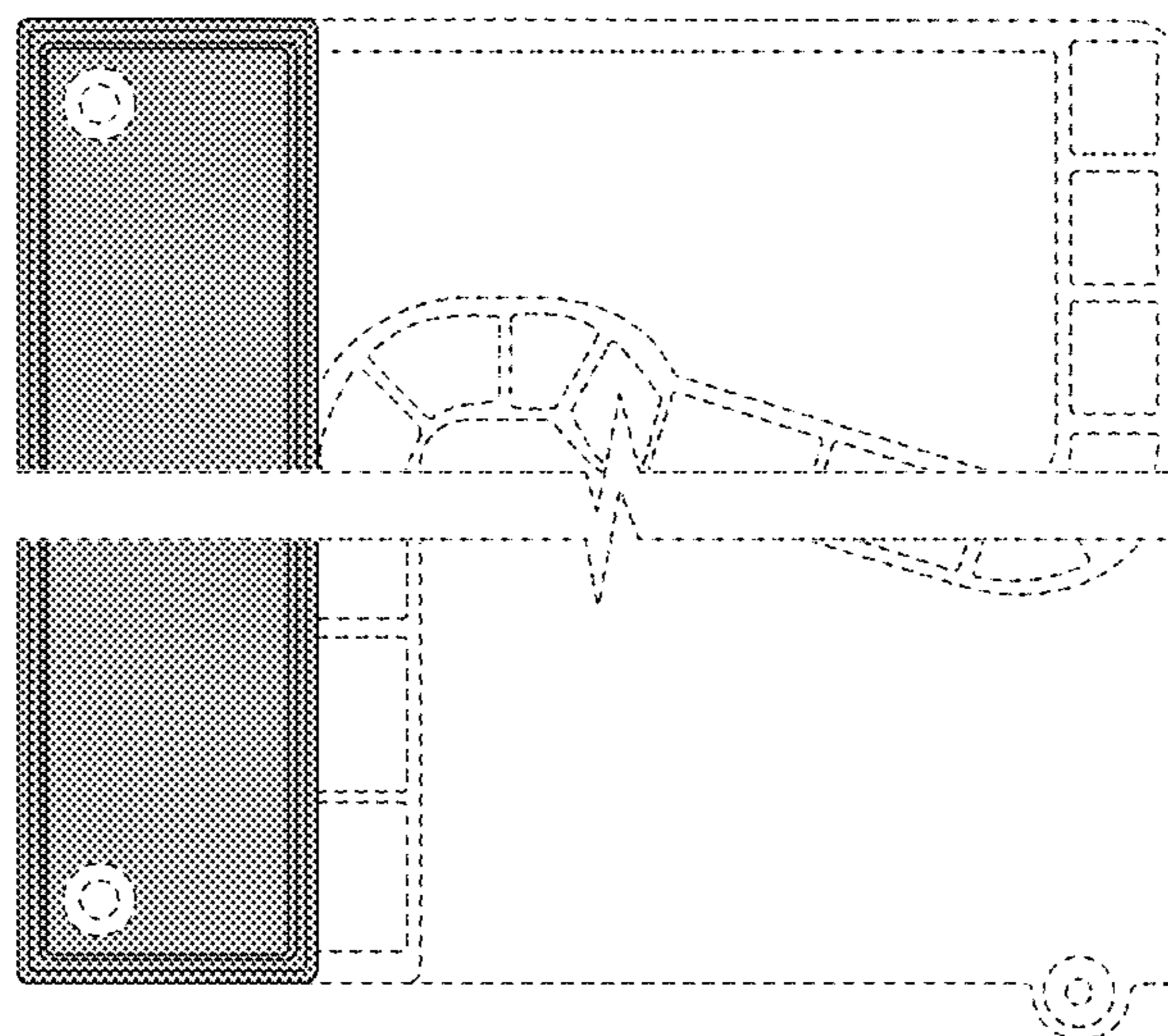


FIG. 7

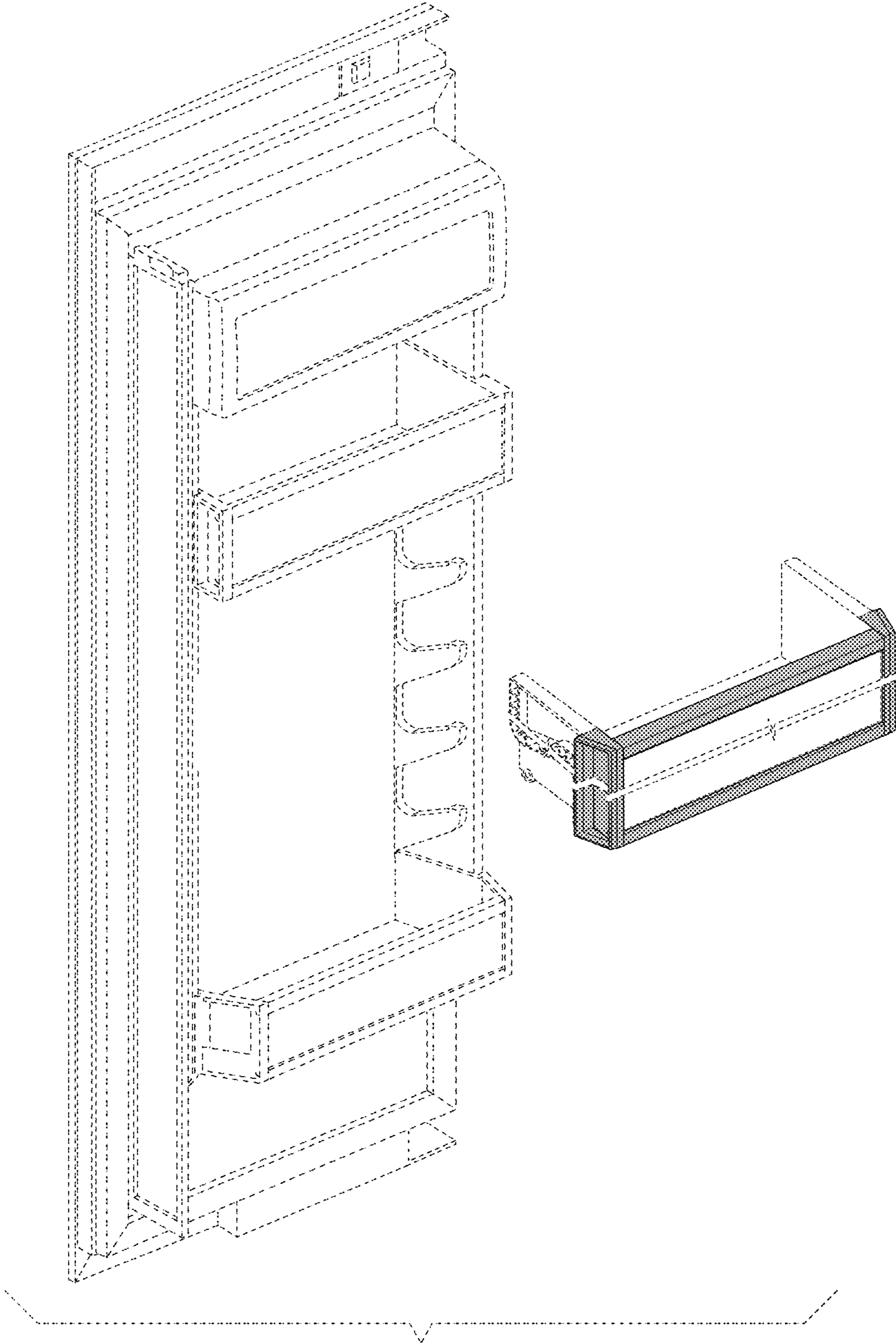


FIG. 8