



US00D779565S

(12) **United States Design Patent**
Jensen

(10) **Patent No.:** **US D779,565 S**

(45) **Date of Patent:** **** Feb. 21, 2017**

- (54) **GRAPPLE JAWS**
- (71) Applicant: **Colten D. Jensen**, Green Bay, WI (US)
- (72) Inventor: **Colten D. Jensen**, Green Bay, WI (US)
- (73) Assignee: **S.A.S. OF LUXEMBURG, LTD.**,
Luxemburg, WI (US)
- (**) Term: **15 Years**
- (21) Appl. No.: **29/551,216**
- (22) Filed: **Jan. 12, 2016**
- (51) **LOC (10) Cl.** **15-03**
- (52) **U.S. Cl.**
USPC **D15/28**
- (58) **Field of Classification Search**
USPC D15/28, 29, 32; D34/34, 35; 414/735,
414/729, 739, 738; 294/106, 198, 86.41,
294/88
CPC E02F 9/28; E02F 9/2875; E02F 9/2271;
A01G 23/003; B66F 9/205
See application file for complete search history.

- 7,000,339 B1 * 2/2006 Ramun B66C 3/04
294/86.29
- 7,066,076 B2 * 6/2006 Roy A01G 23/003
414/738
- 7,207,610 B1 * 4/2007 Kauppila B66C 1/585
294/106
- 8,002,004 B2 * 8/2011 Smythe A01G 23/095
144/24.13
- D645,062 S * 9/2011 LaValley D15/28
- D672,369 S 12/2012 Secker et al.
- D685,974 S * 7/2013 Price D12/15
- D704,752 S 5/2014 Secker
- 8,833,823 B2 * 9/2014 Price B66C 1/44
294/198
- D740,861 S * 10/2015 Aerts D15/28

* cited by examiner

Primary Examiner — Mark Goodwin

(74) *Attorney, Agent, or Firm* — Donald J. Ersler

(57) **CLAIM**

The ornamental design for grapple jaws, as shown and described.

DESCRIPTION

FIG. 1 is a perspective view of grapple jaws retained by an actuation mechanism in a retracted orientation incorporating my new design;

FIG. 2 is a front elevation view of grapple jaws in a retracted orientation thereof;

FIG. 3 is a front elevation view of grapple jaws in a closed orientation thereof;

FIG. 4 is a left side view thereof;

FIG. 5 is a right side view thereof;

FIG. 6 is a top plan view thereof; and,

FIG. 7 is a bottom plan view thereof.

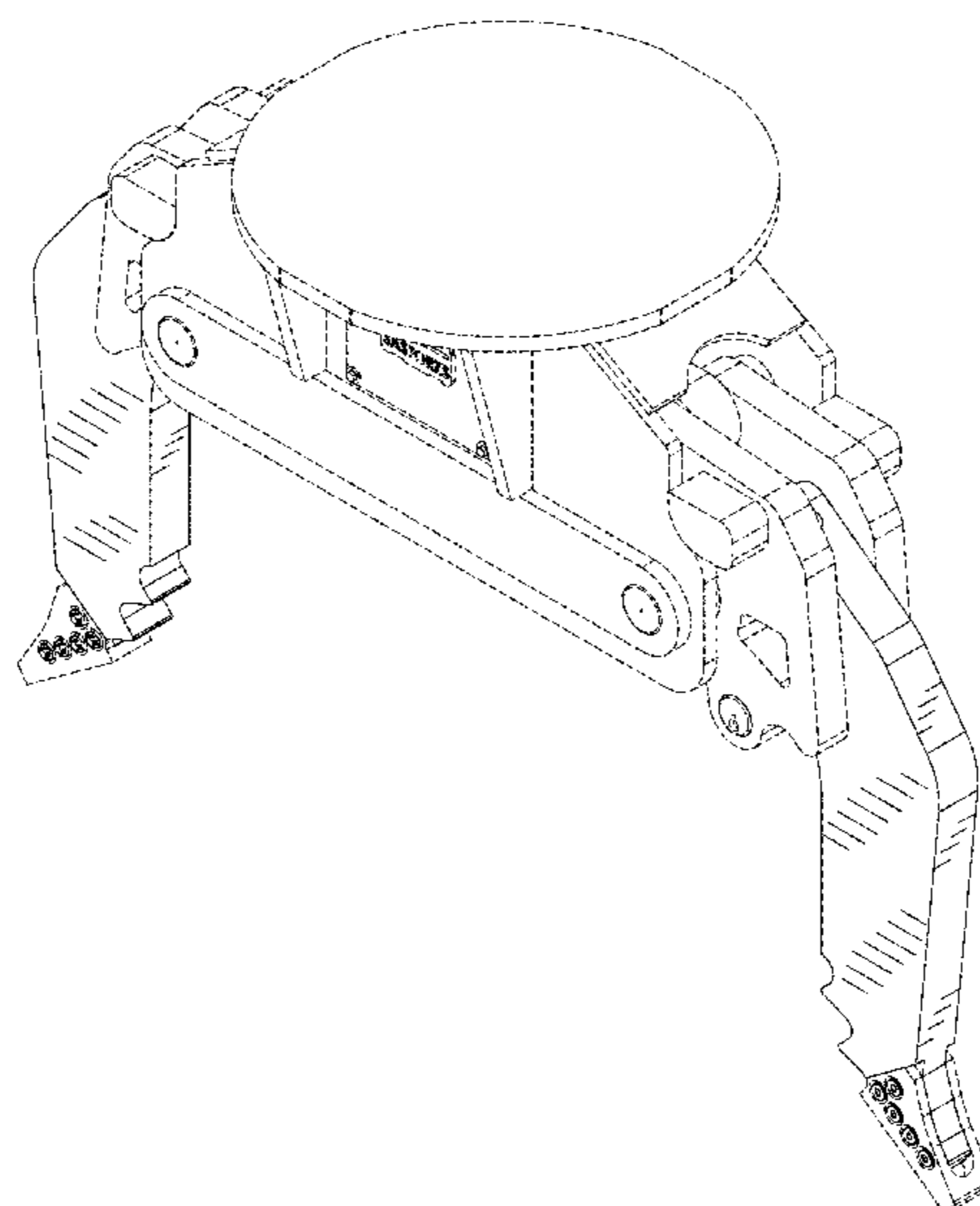
The dashed lines in FIGS. 1-7 are for illustrative purposes only and form no part of the claimed invention.

1 Claim, 6 Drawing Sheets

(56) **References Cited**

U.S. PATENT DOCUMENTS

- 4,057,278 A * 11/1977 Gotzen B66C 3/16
294/106
- D306,599 S * 3/1990 Hunter D15/32
- 6,131,978 A * 10/2000 Rounds B66C 1/585
294/106
- 6,203,267 B1 * 3/2001 Heiple E02F 3/404
37/403
- 6,209,237 B1 * 4/2001 Heiple E02F 3/404
37/406
- D442,757 S * 5/2001 Loffin, Sr. D15/32
- 6,315,344 B1 * 11/2001 Mattson A01G 23/003
294/86.41
- 6,457,761 B1 * 10/2002 Benoit B66C 1/58
294/106
- D496,945 S * 10/2004 Daniel D15/32



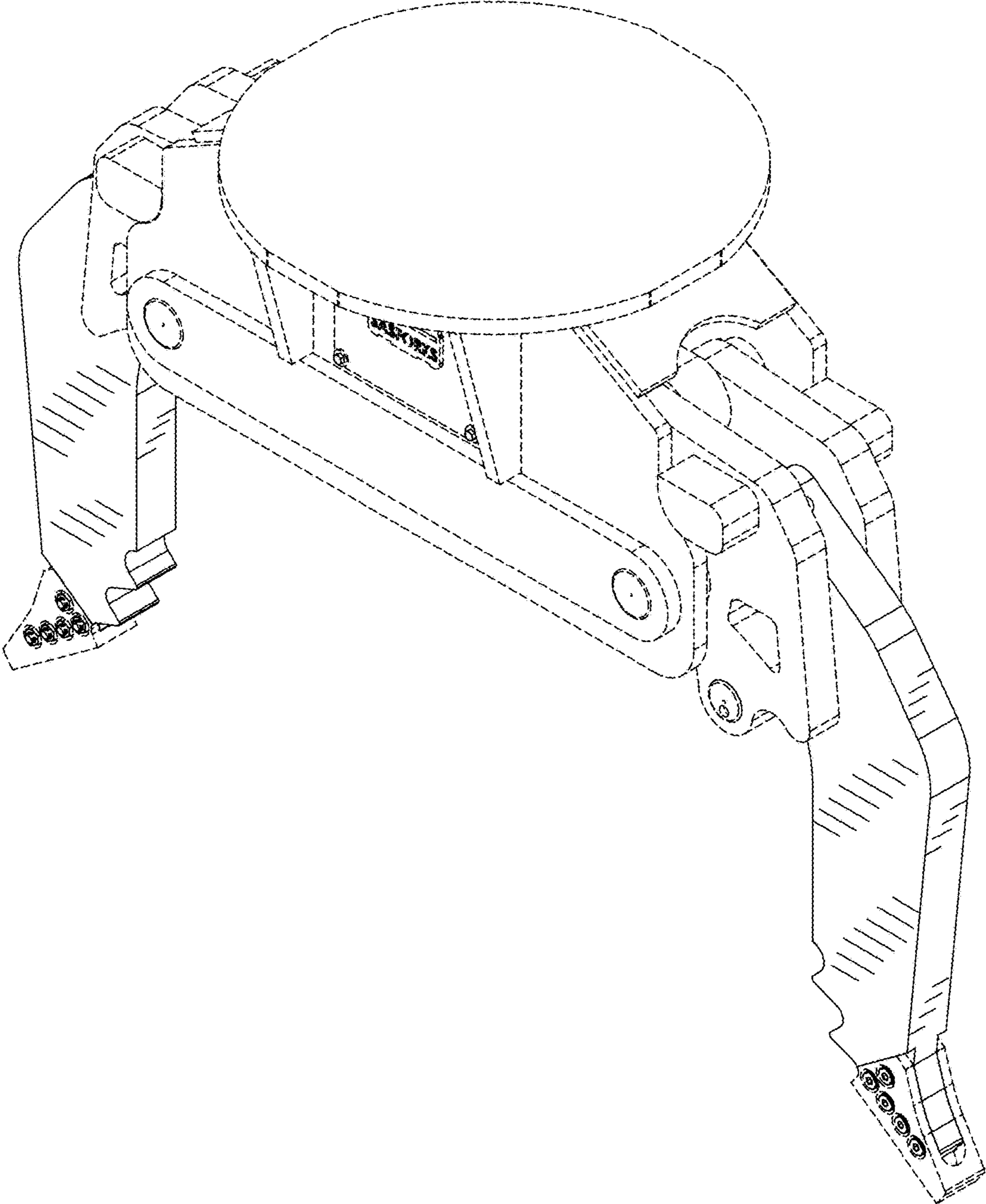


FIG. 1

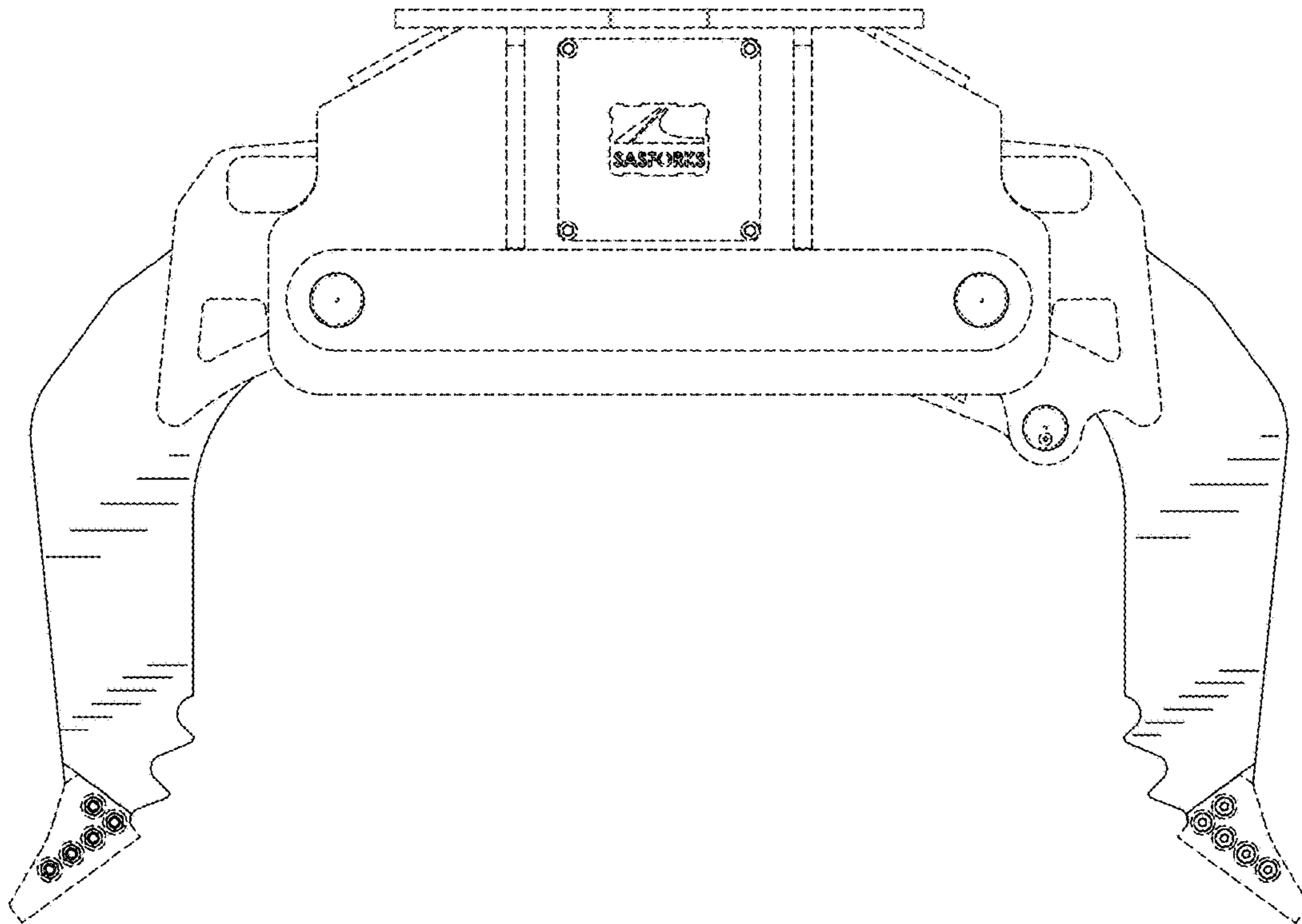


FIG. 2

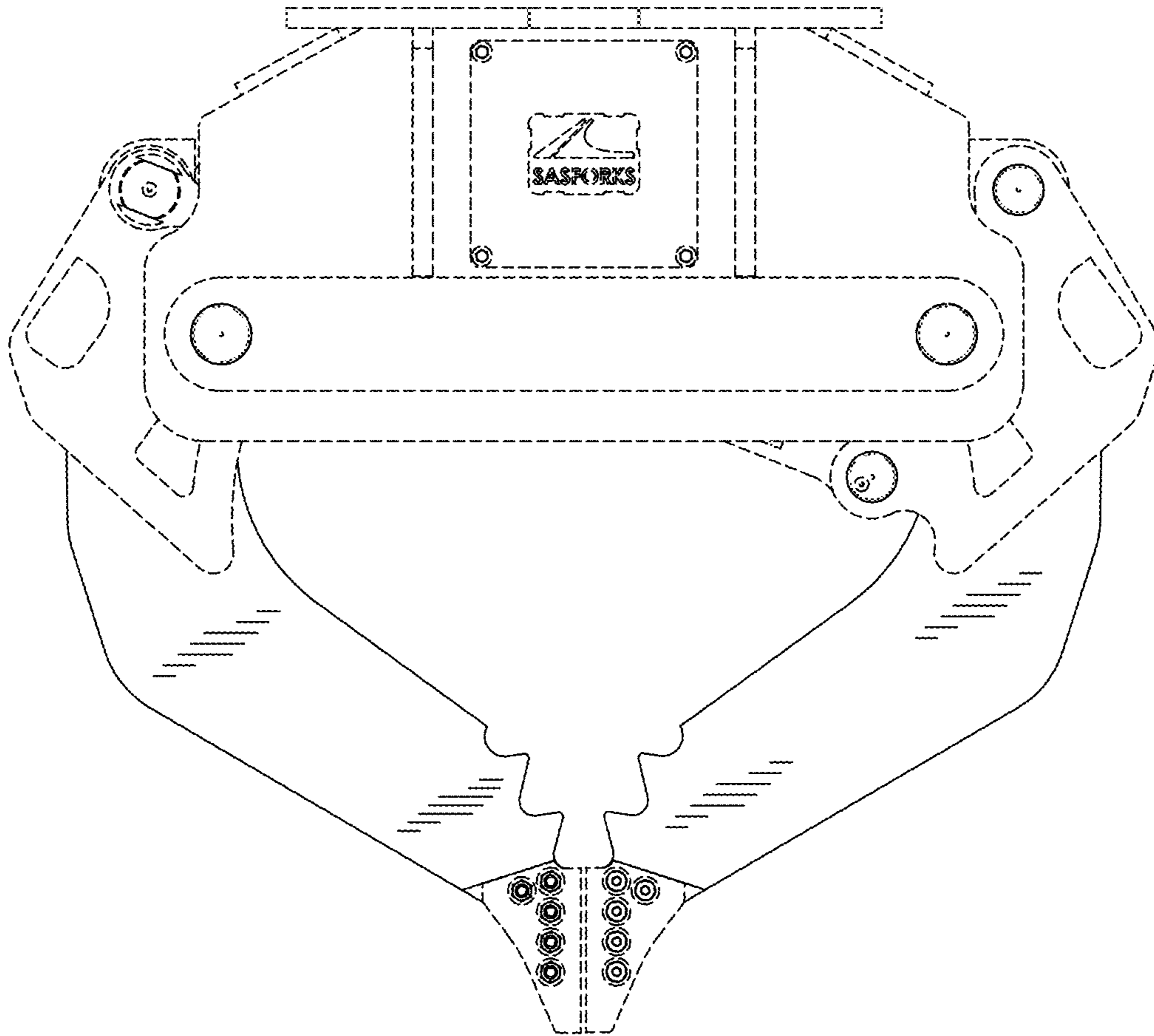


FIG. 3

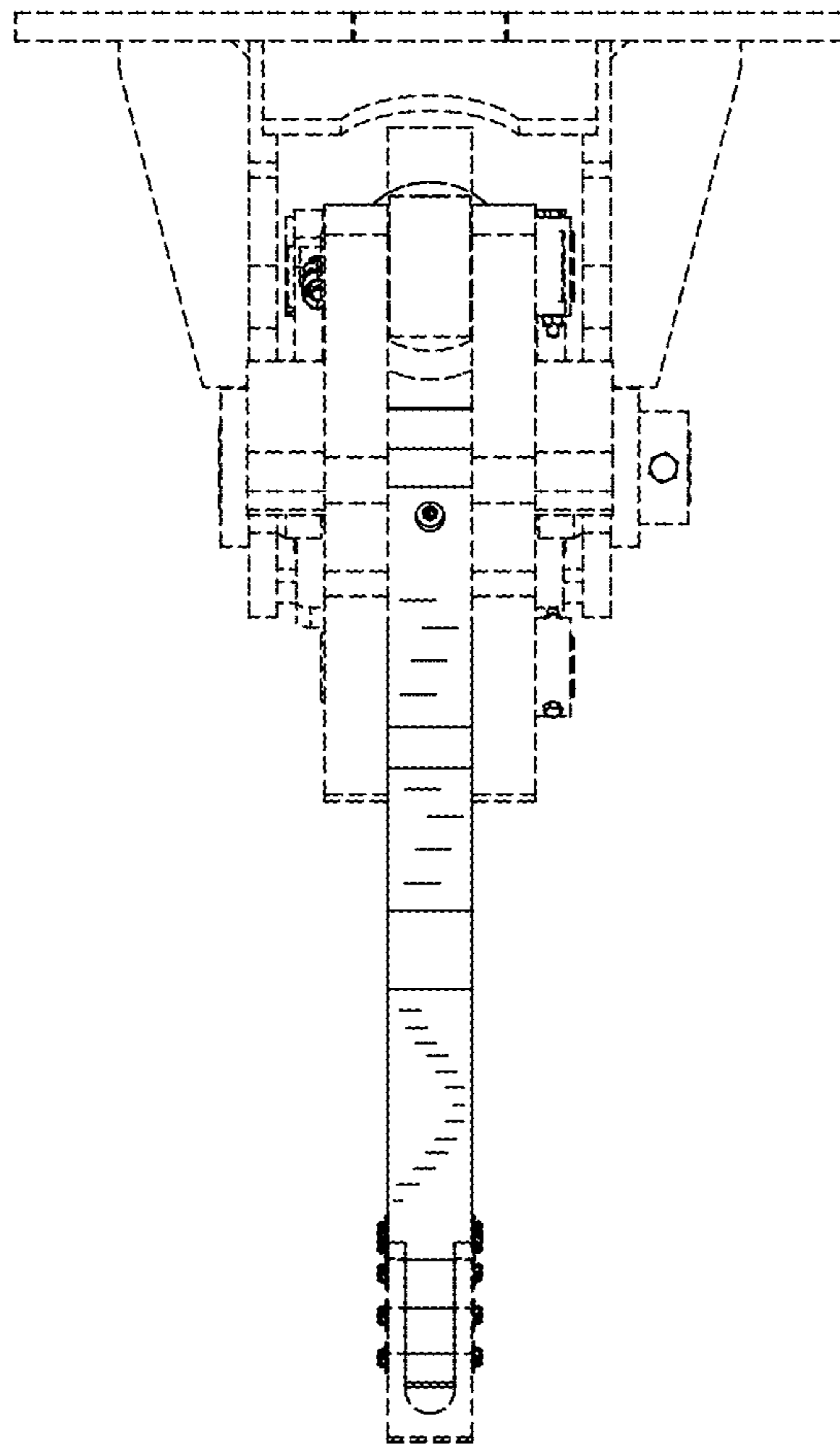


FIG. 4

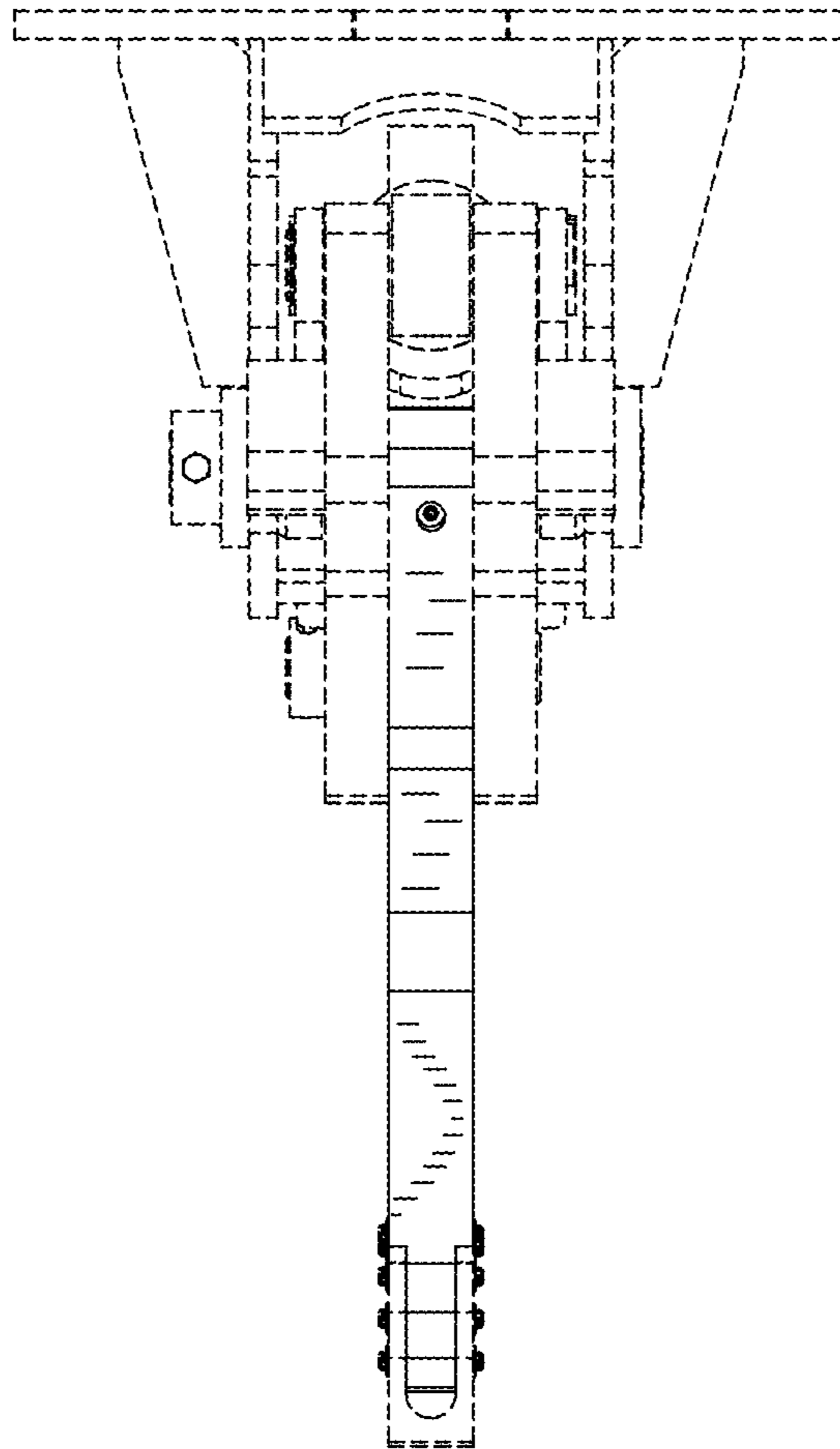


FIG. 5

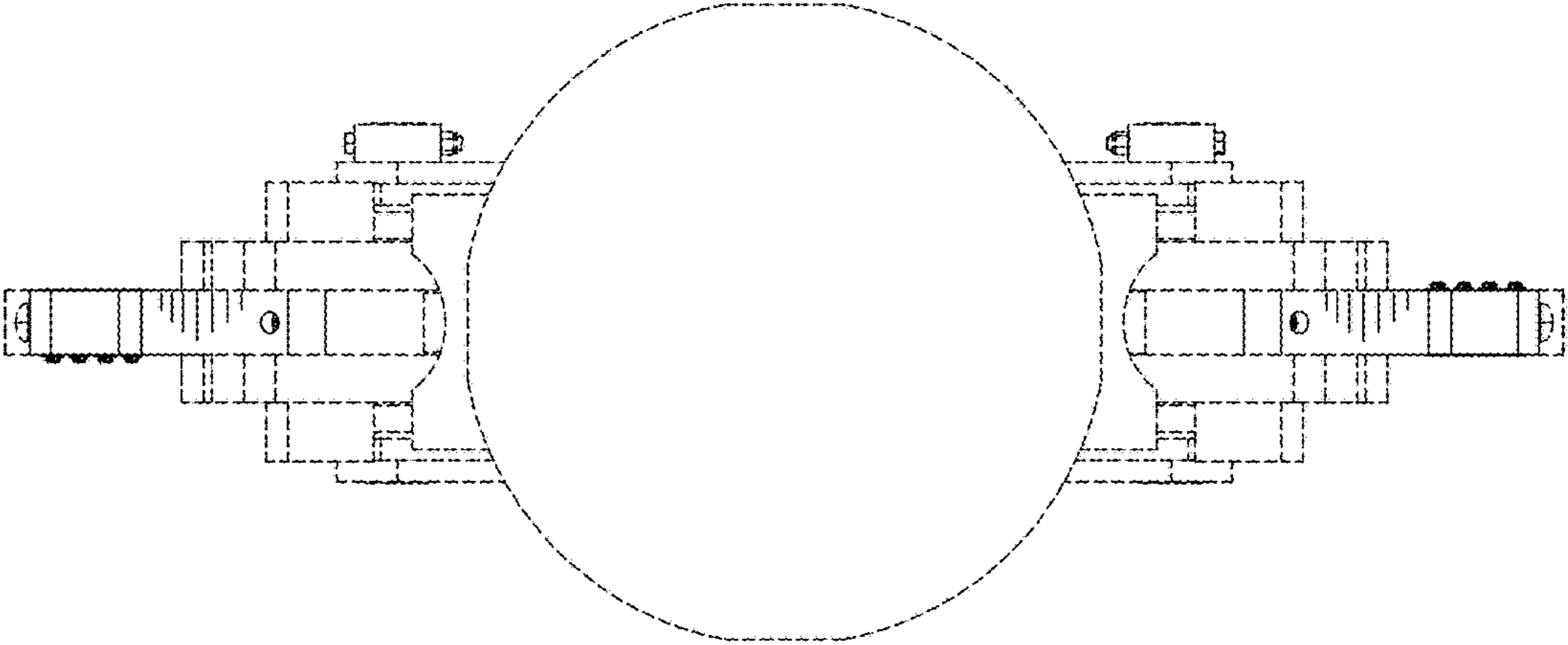


FIG. 6

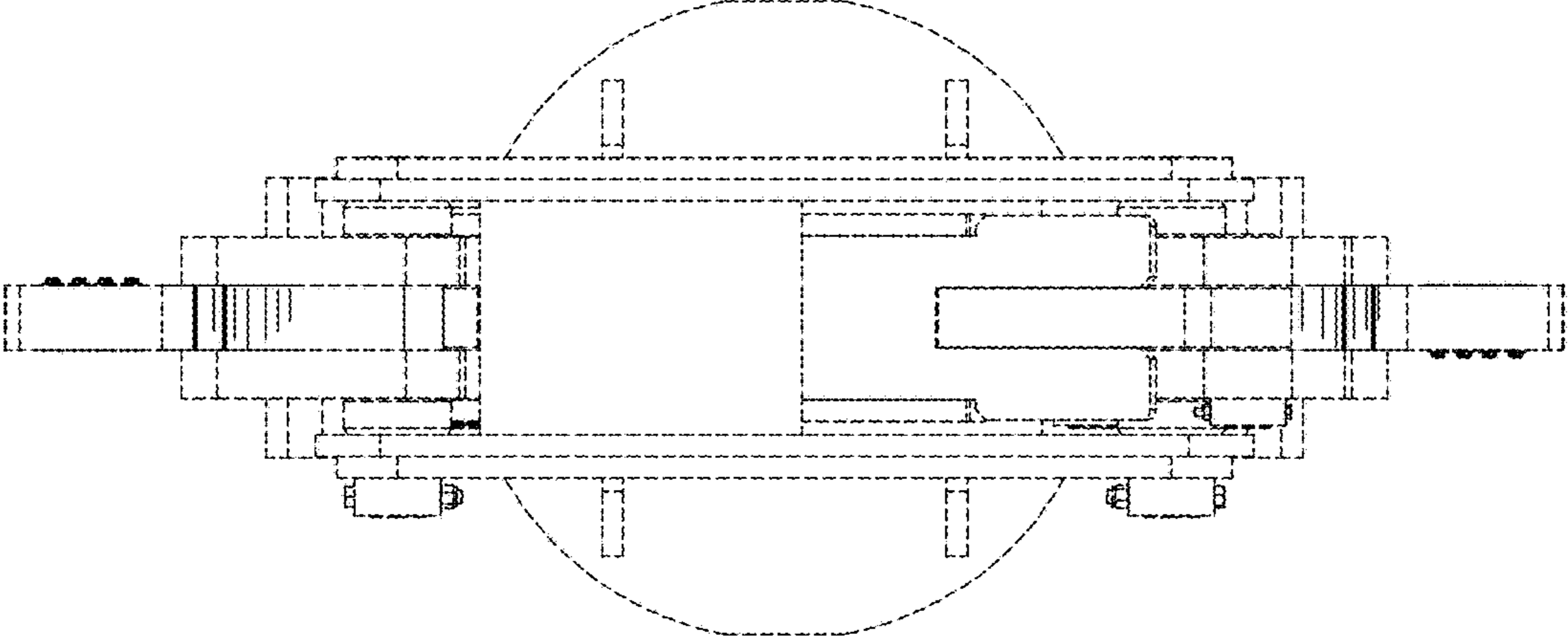


FIG. 7