



US00D779562S

(12) **United States Design Patent** (10) **Patent No.:** **US D779,562 S**
Laws (45) **Date of Patent:** **** Feb. 21, 2017**

(54) **CARBURETOR BOOSTER**

(71) Applicant: **TAJM LLC**, Howey In The Hills, FL (US)

(72) Inventor: **James M. Laws**, Howey In The Hills, FL (US)

(73) Assignee: **TAJM, LLC**, Howey-in-the-Hills, FL (US)

(**) Term: **15 Years**

(21) Appl. No.: **29/533,738**

(22) Filed: **Jul. 21, 2015**

(51) **LOC (10) Cl.** **15-01**

(52) **U.S. Cl.**
USPC **D15/6**

(58) **Field of Classification Search**
USPC D15/1-6; 261/23.2, 37; 239/8
CPC F02M 19/03; F02M 19/08; F02M 7/10;
F02M 19/01; F02M 19/00
See application file for complete search history.

(56) **References Cited**

U.S. PATENT DOCUMENTS

2,229,819 A *	1/1941 Reid	F02M 19/03 261/76
4,190,032 A *	2/1980 Wright	F02M 7/22 123/590
4,437,447 A *	3/1984 Johnson	F02B 75/22 123/568.12
5,386,145 A *	1/1995 Boswell	F02M 9/02 261/41.1

(Continued)

Primary Examiner — T. Chase Nelson
Assistant Examiner — Ania Aman

(74) *Attorney, Agent, or Firm* — Mark Malek; Widerman Malek, PL

(57) **CLAIM**

The ornamental design for a carburetor booster, as shown and described.

DESCRIPTION

FIG. 1 is a perspective view of a carburetor booster according to the present invention.

FIG. 2 is a front elevation view of the carburetor booster illustrated in FIG. 1.

FIG. 3 is a rear elevation view of the carburetor booster illustrated in FIG. 1.

FIG. 4 is a side elevation view of the carburetor booster illustrated in FIG. 1 and in a disassembled position.

FIG. 5 is another side elevation view of the carburetor booster illustrated in FIG. 1 and in a disassembled position.

FIG. 6 is a top plan view of the carburetor booster illustrated in FIG. 1 and shown in a disassembled position.

FIG. 7 is a bottom plan view of the carburetor booster illustrated in FIG. 1 and shown in a disassembled position.

FIG. 8 is an elevation view of the carburetor booster illustrated in FIG. 1.

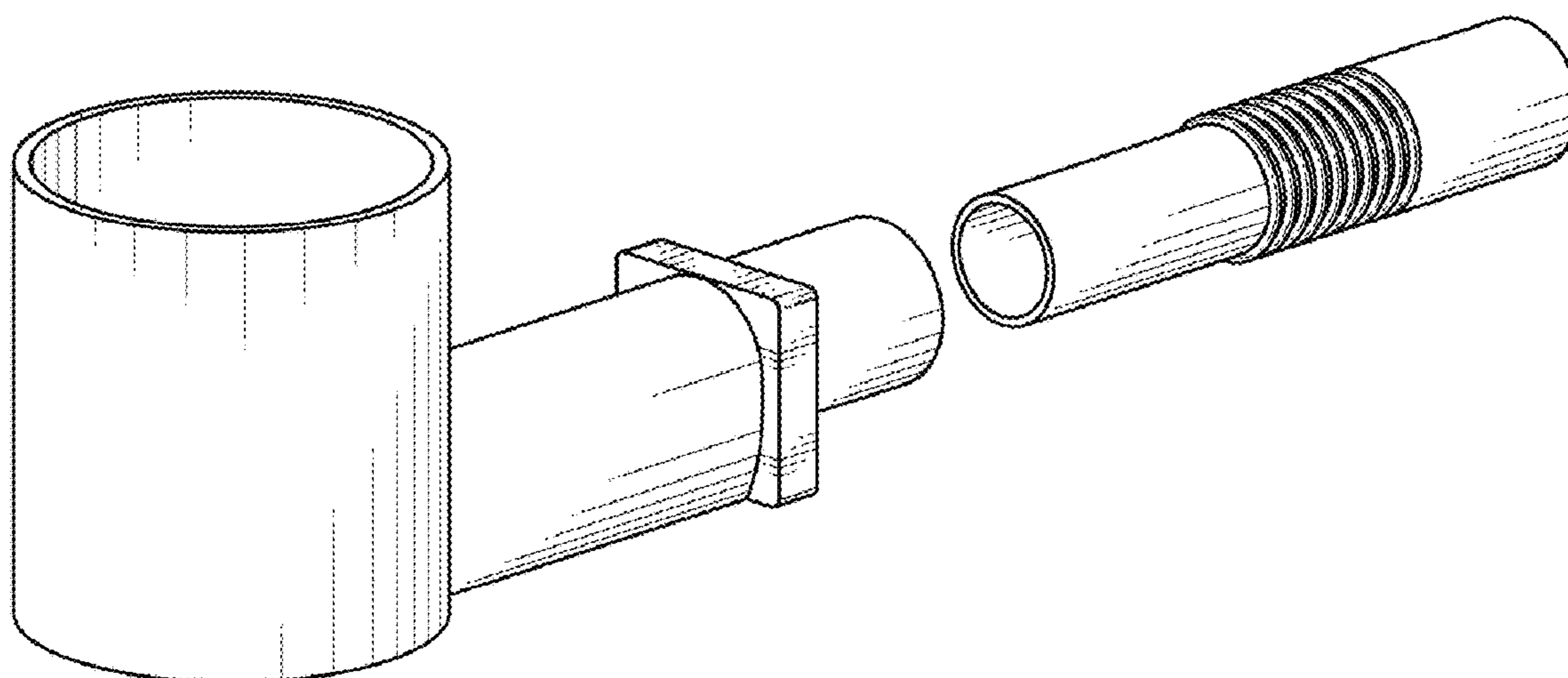
FIG. 9 is a top plan view of the carburetor booster illustrated in FIG. 1 and shown in an assembled position.

FIG. 10 is a bottom plan view of the carburetor booster illustrated in FIG. 1 and shown in a partially assembled position.

FIG. 11 is a side elevation view of a carburetor booster illustrated in FIG. 1 and shown in a partially assembled position; and,

FIG. 12 is another side elevation view of a carburetor booster illustrated in FIG. 1 and shown in an assembled position.

1 Claim, 4 Drawing Sheets



(56)

References Cited

U.S. PATENT DOCUMENTS

5,807,512 A * 9/1998 Grant F02M 9/14
261/23.2
5,863,470 A * 1/1999 Grant F02M 9/14
261/23.2
6,047,956 A * 4/2000 Brazina F02M 19/03
261/78.1
6,149,140 A * 11/2000 Boswell F02M 7/10
261/40
D659,164 S * 5/2012 Tomlinson D15/5
8,167,277 B2 * 5/2012 Satterfield F02M 19/03
261/23.2
8,919,745 B1 * 12/2014 Rowe A62C 5/022
169/5
2010/0090354 A1 * 4/2010 Satterfield F02M 19/08
261/23.2
2012/0091601 A1 * 4/2012 James F02M 19/03
261/116
2015/0102511 A1 * 4/2015 Yamazaki F02B 25/22
261/44.8

* cited by examiner

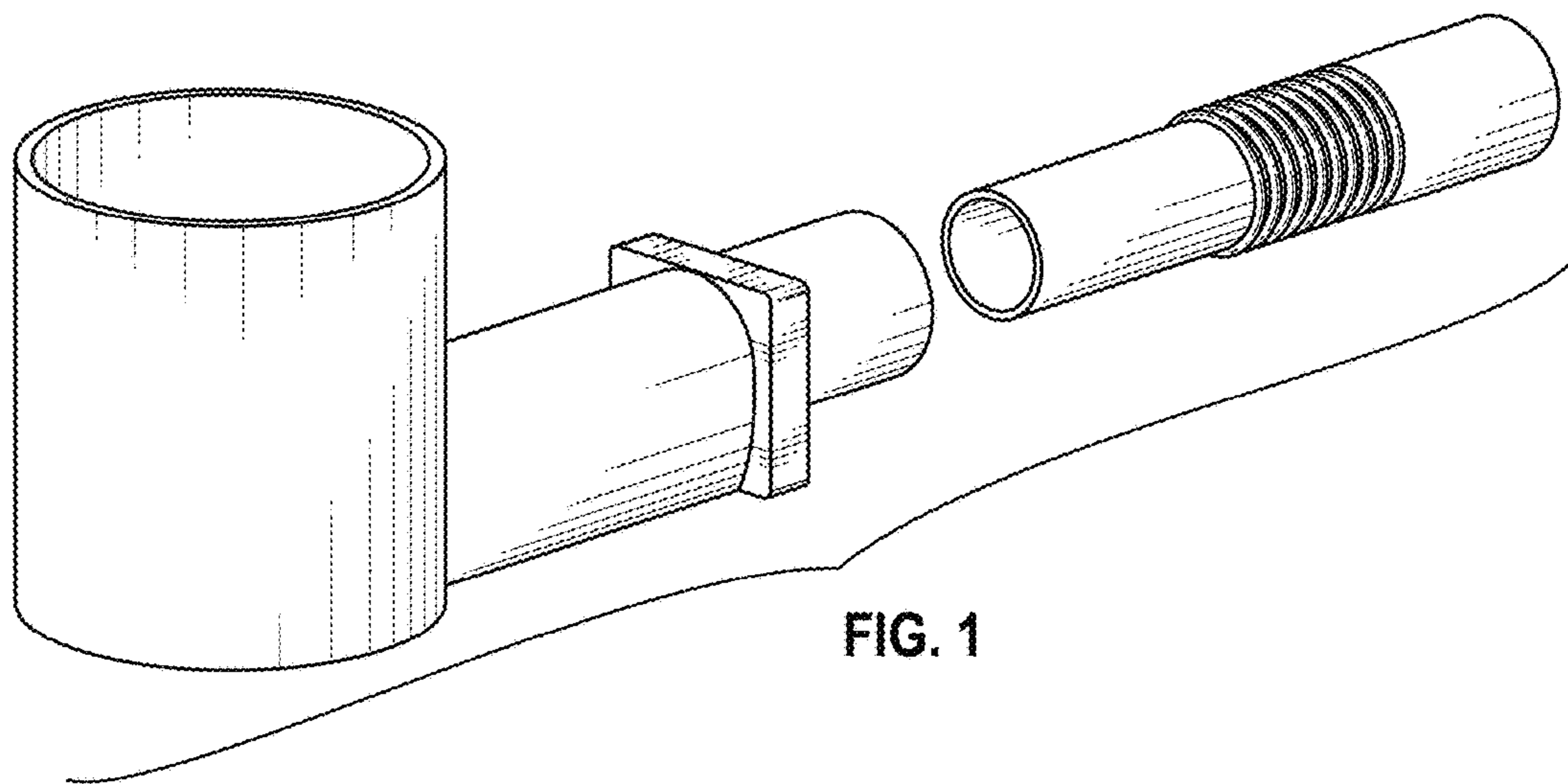


FIG. 1

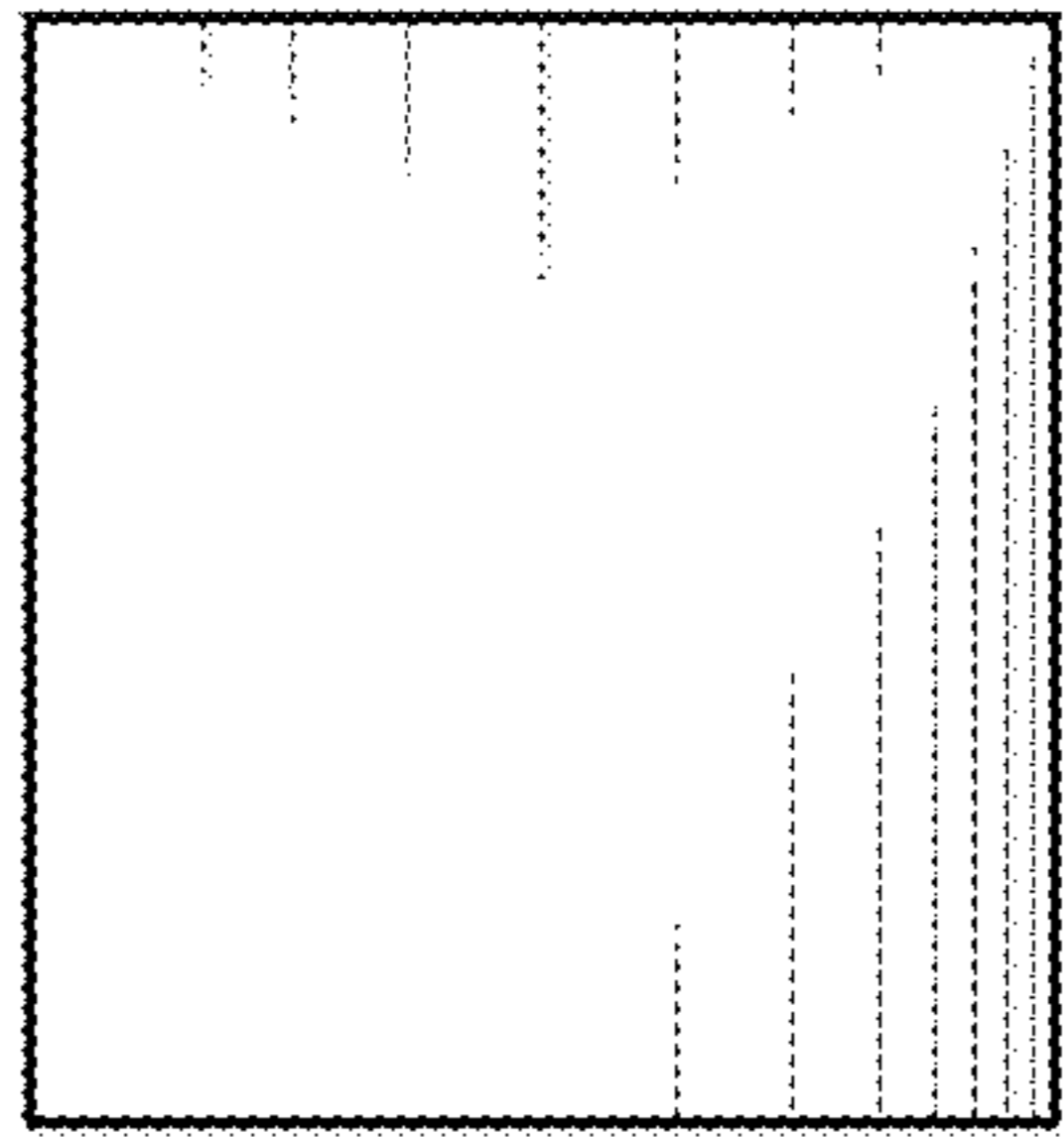


FIG. 2

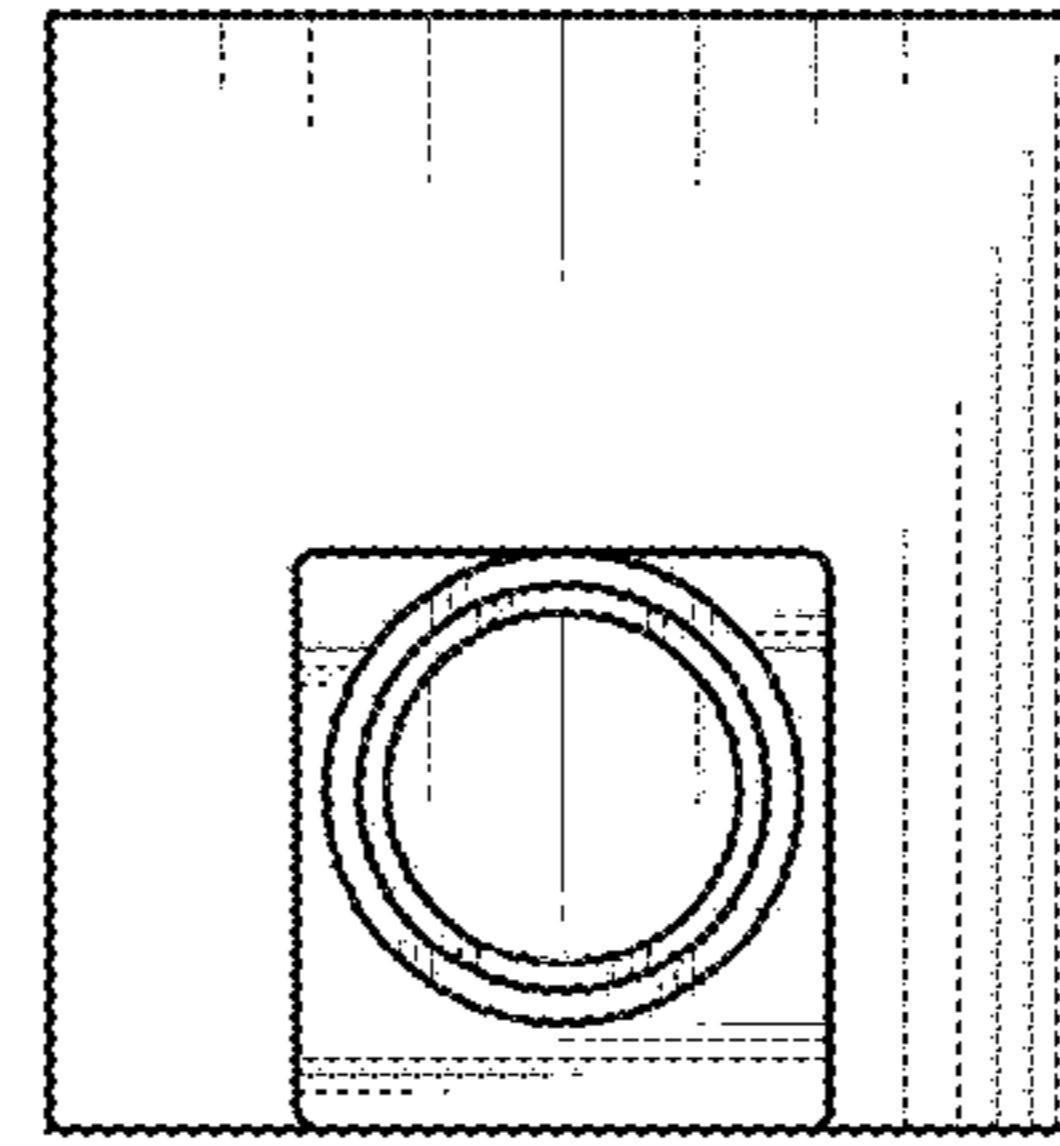


FIG. 3

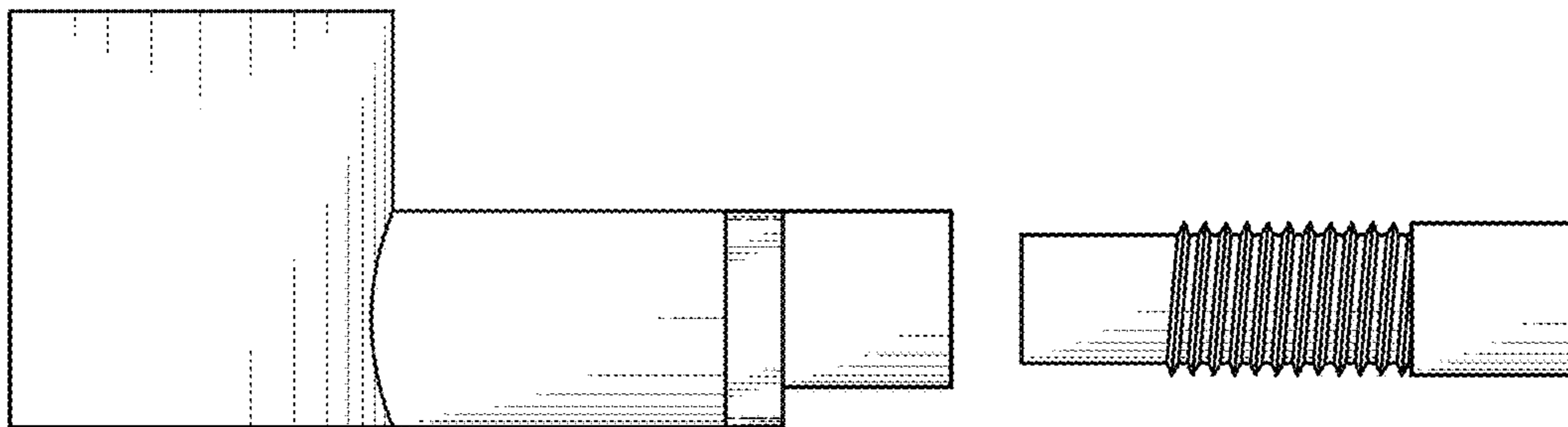


FIG. 4

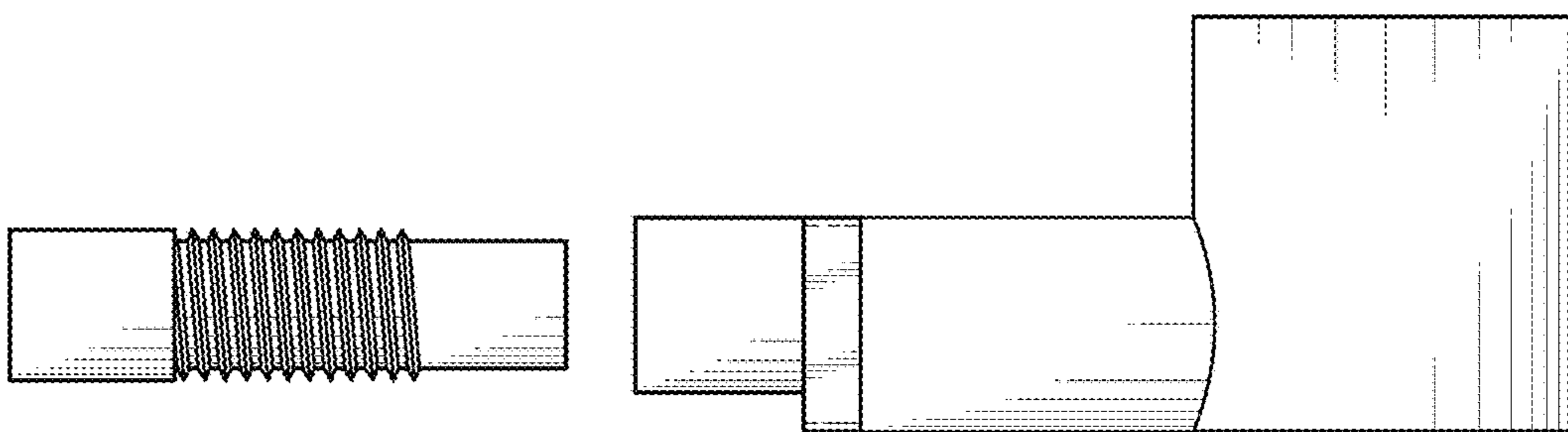


FIG. 5

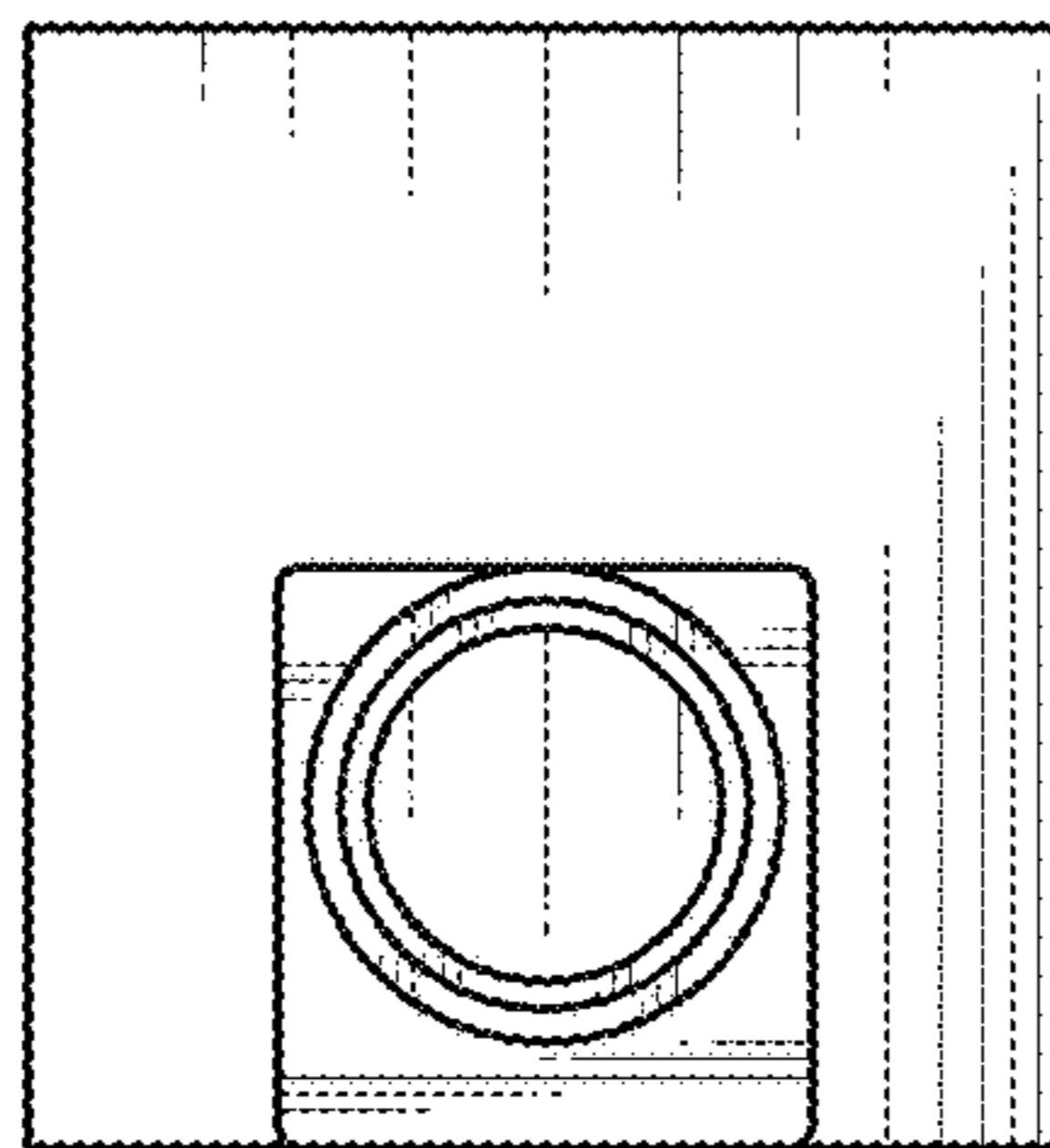
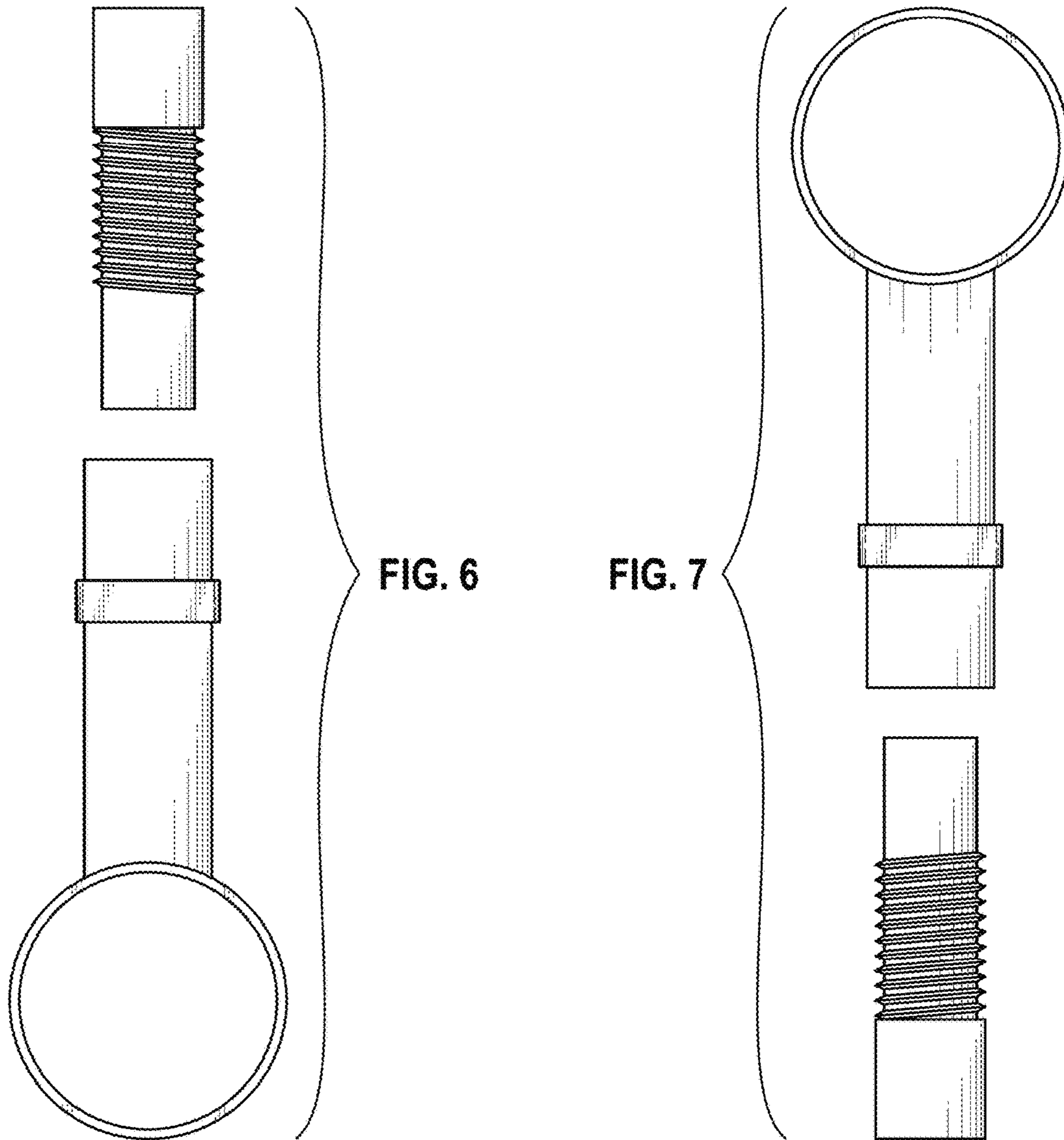


FIG. 8

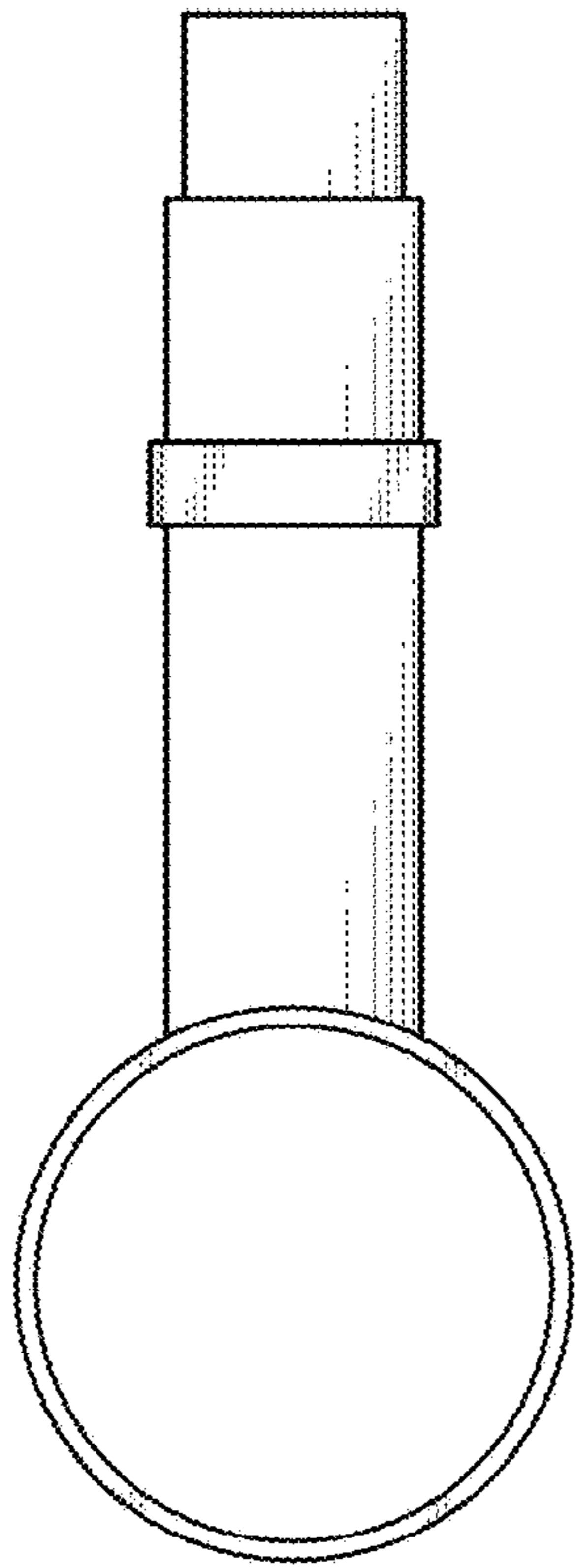


FIG. 9

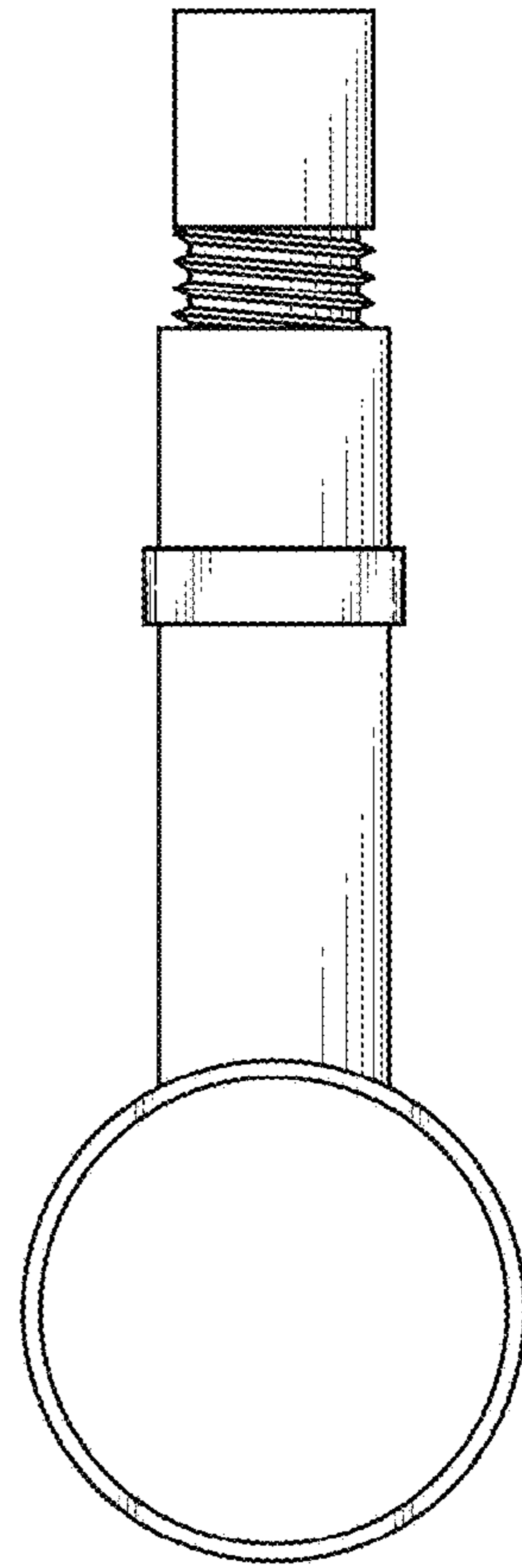


FIG. 10

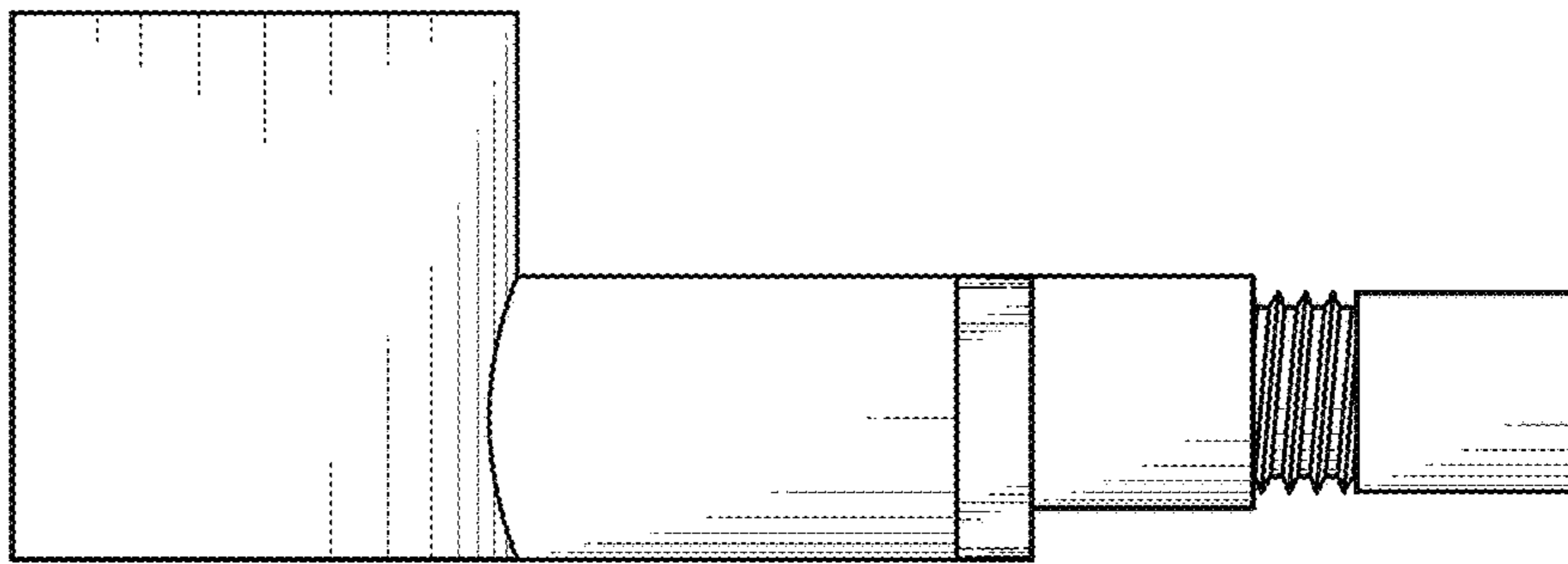


FIG. 11

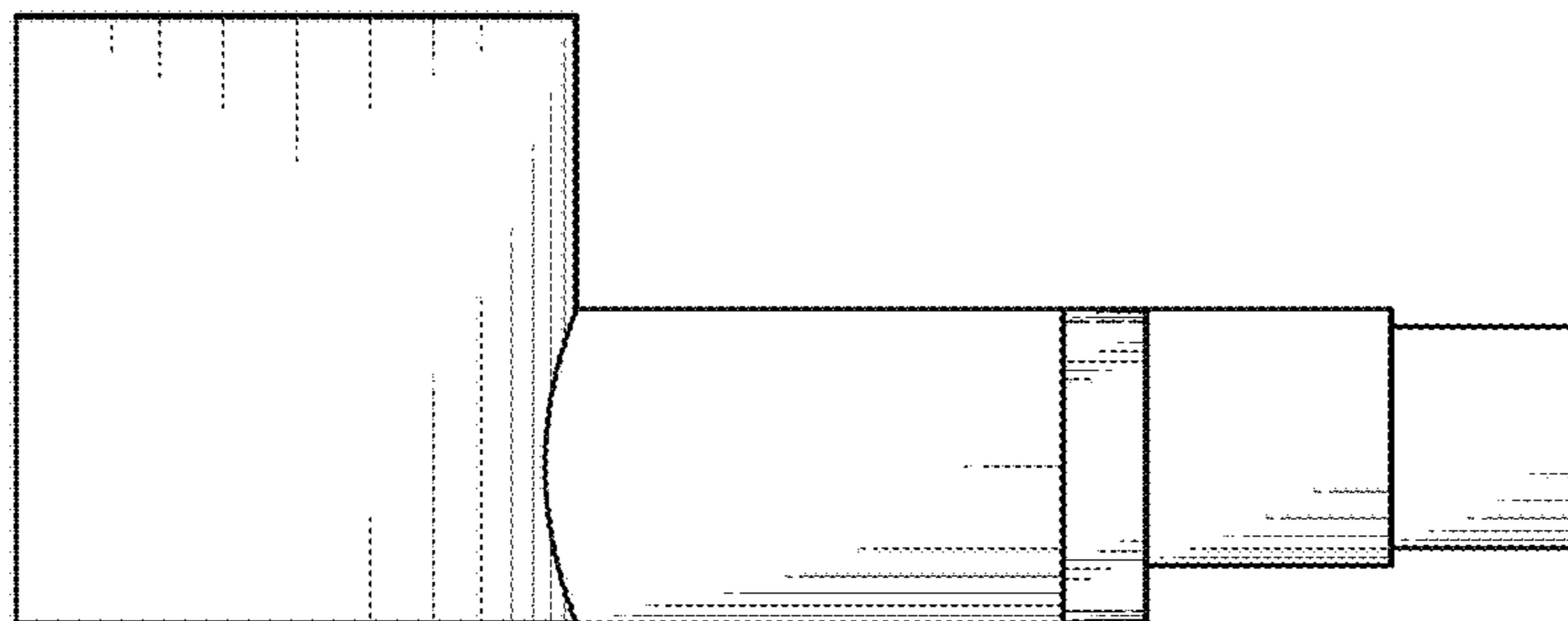


FIG. 12