



US00D779560S

(12) **United States Design Patent** (10) **Patent No.:** **US D779,560 S**  
**Fox** (45) **Date of Patent:** **\*\* Feb. 21, 2017**

(54) **HYDRAULIC CONTROL UNIT**  
(71) Applicant: **Eaton Corporation**, Cleveland, OH (US)  
(72) Inventor: **Matthew G. Fox**, Ceresco, MI (US)  
(73) Assignee: **Eaton Corporation**, Cleveland, OH (US)  
(\*\*) Term: **15 Years**  
(21) Appl. No.: **29/533,526**  
(22) Filed: **Jul. 17, 2015**  
(51) **LOC (10) Cl.** ..... **15-01**  
(52) **U.S. Cl.**  
USPC ..... **D15/5**  
(58) **Field of Classification Search**  
USPC ..... D15/5, 7, 8, 9, 148, 149, 199; D23/231, D23/232; D12/160, 159  
CPC ..... F15B 11/162; F15B 11/26; F15B 13/044; F15B 13/026; F15B 2211/781; F16H 39/40  
See application file for complete search history.

(56) **References Cited**  
U.S. PATENT DOCUMENTS  
4,679,463 A 7/1987 Ozaki et al.  
D308,209 S \* 5/1990 Laqua ..... D15/7  
6,685,437 B2 2/2004 Koenig et al.  
7,857,723 B2 \* 12/2010 Krisher ..... B60K 17/20 475/150  
7,891,730 B2 \* 2/2011 Rikkert ..... B60J 7/0573 296/220.01  
7,895,837 B2 3/2011 Bass  
8,226,382 B2 7/2012 Vogt  
8,485,802 B2 7/2013 Bachmann et al.  
2001/0035323 A1 11/2001 Porter

2011/0147111 A1\* 6/2011 Sun ..... B62D 5/0406 180/444  
2012/0329592 A1\* 12/2012 Sun ..... B62D 5/0406 475/4  
2014/0179484 A1\* 6/2014 Fox ..... F16H 48/32 475/231

(Continued)

**FOREIGN PATENT DOCUMENTS**

DE 748353 11/1944  
DE 3524615 A1 1/1987

(Continued)

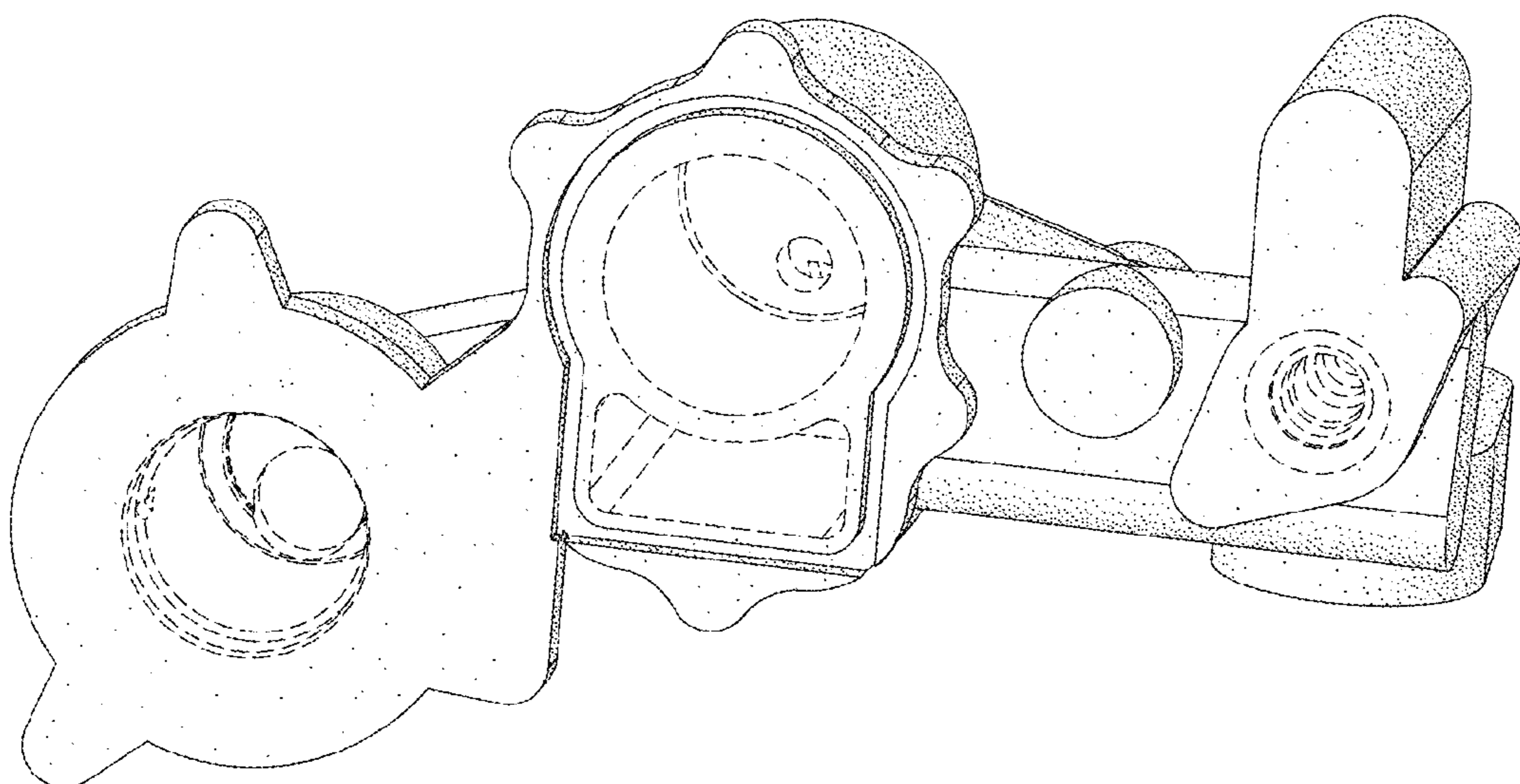
*Primary Examiner* — T. Chase Nelson  
*Assistant Examiner* — Ania Aman  
(74) *Attorney, Agent, or Firm* — Remarck Law Group PLC

(57) **CLAIM**  
The ornamental design for a hydraulic control unit, as shown and described.

**DESCRIPTION**

FIG. 1 is a front perspective view of a hydraulic control unit showing the new design.  
FIG. 2 is a rear perspective view of the hydraulic control unit of FIG. 1.  
FIG. 3 is a first end view of the hydraulic control unit of FIG. 1.  
FIG. 4 is a second end view of the hydraulic control unit of FIG. 1.  
FIG. 5 is a top view of the hydraulic control unit of FIG. 1.  
FIG. 6 is a bottom view of the hydraulic control unit of FIG. 1.  
FIG. 7 is a first side view of the hydraulic control unit of FIG. 1; and,  
FIG. 8 is a second side view of the hydraulic control unit of FIG. 1.  
Any portion of the hydraulic control unit shown in broken lines is for the purpose of illustrating environmental structure and forms no part of the claimed design.

**1 Claim, 4 Drawing Sheets**



(56)

**References Cited**

U.S. PATENT DOCUMENTS

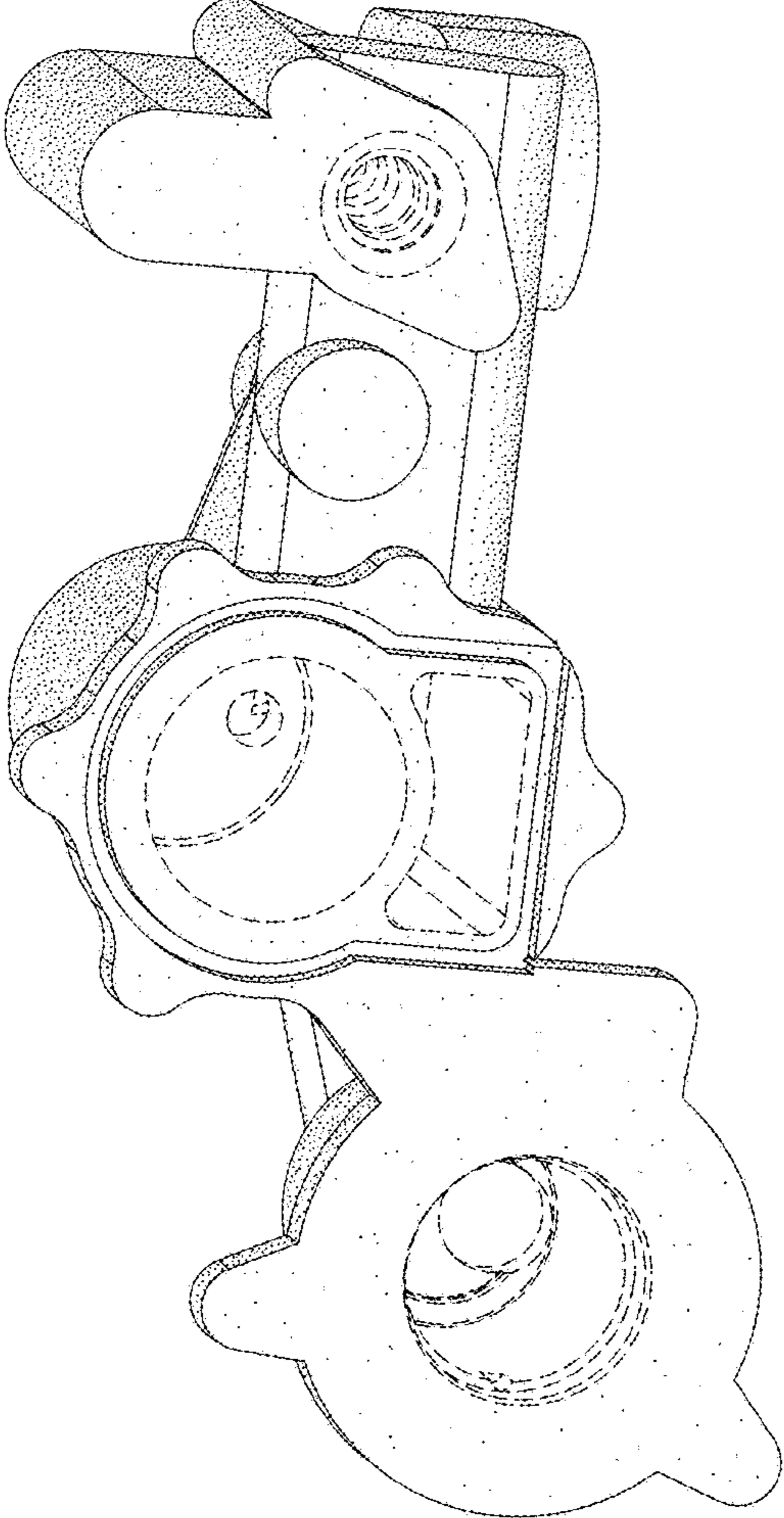
2016/0076634 A1\* 3/2016 Mitsubori ..... F16H 57/0006  
74/325

FOREIGN PATENT DOCUMENTS

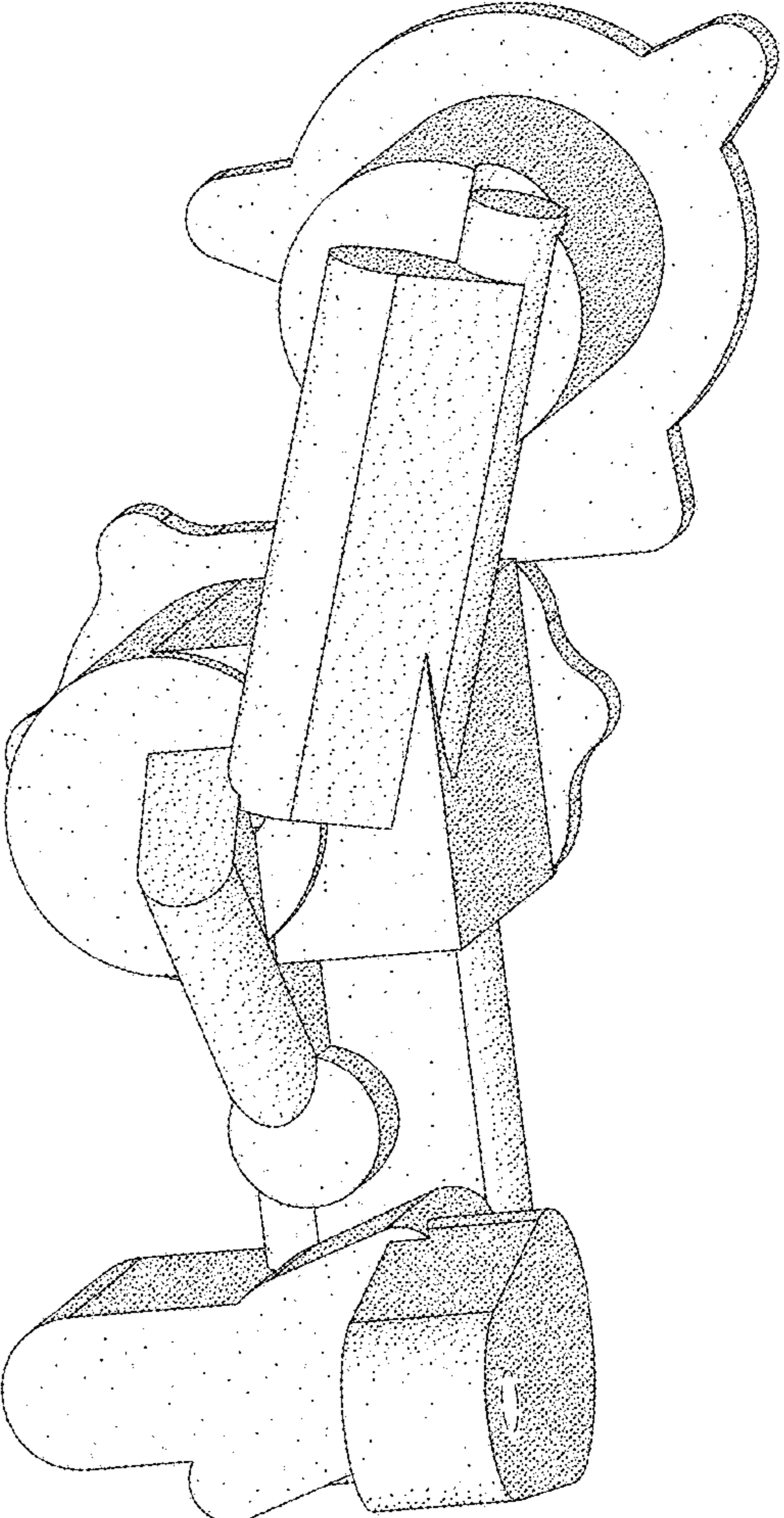
DE	102009038377	A1	3/2010
EP	1118800	A2	7/2001
WO	2008008705	A2	1/2008
WO	2015026411	A2	2/2015

\* cited by examiner

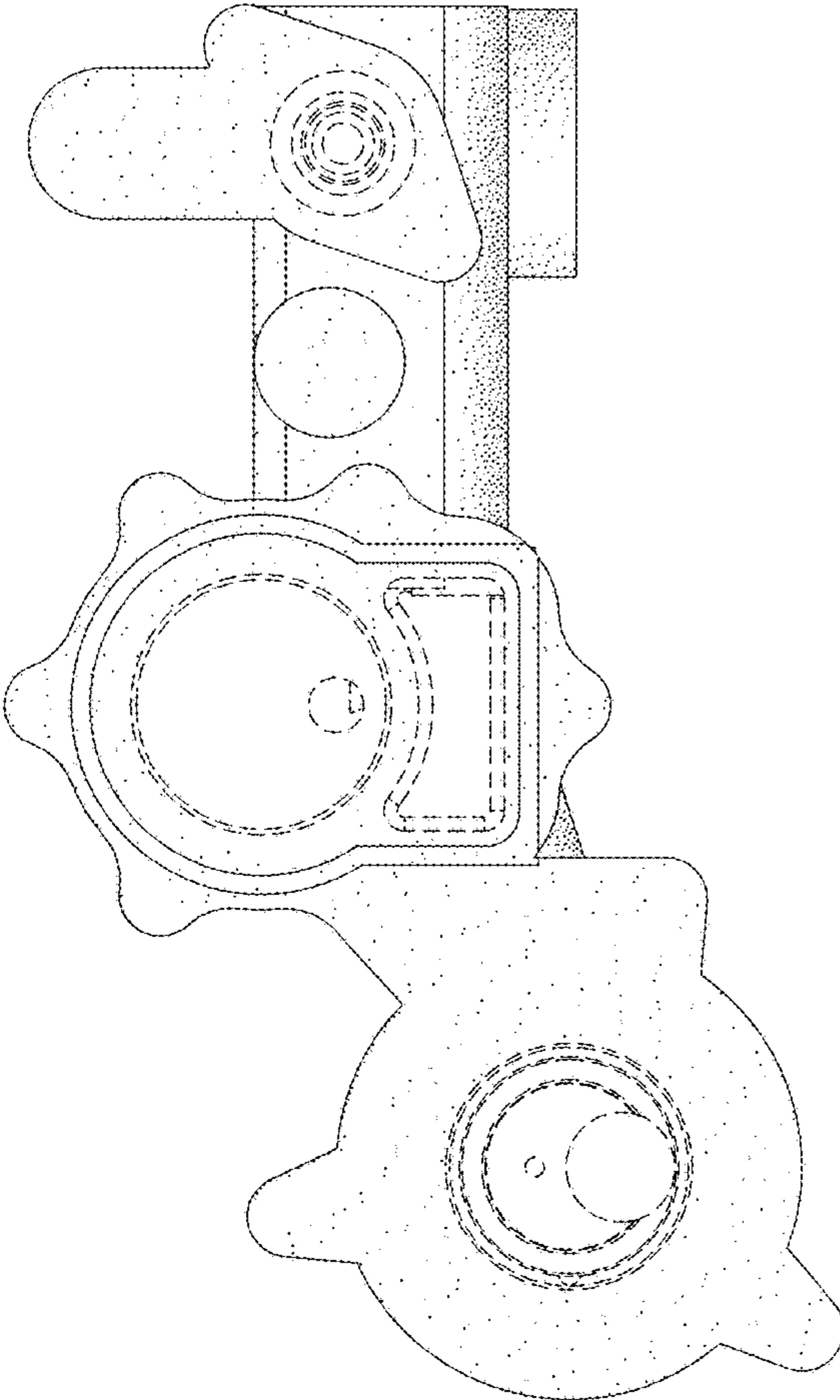
**FIG. 1**



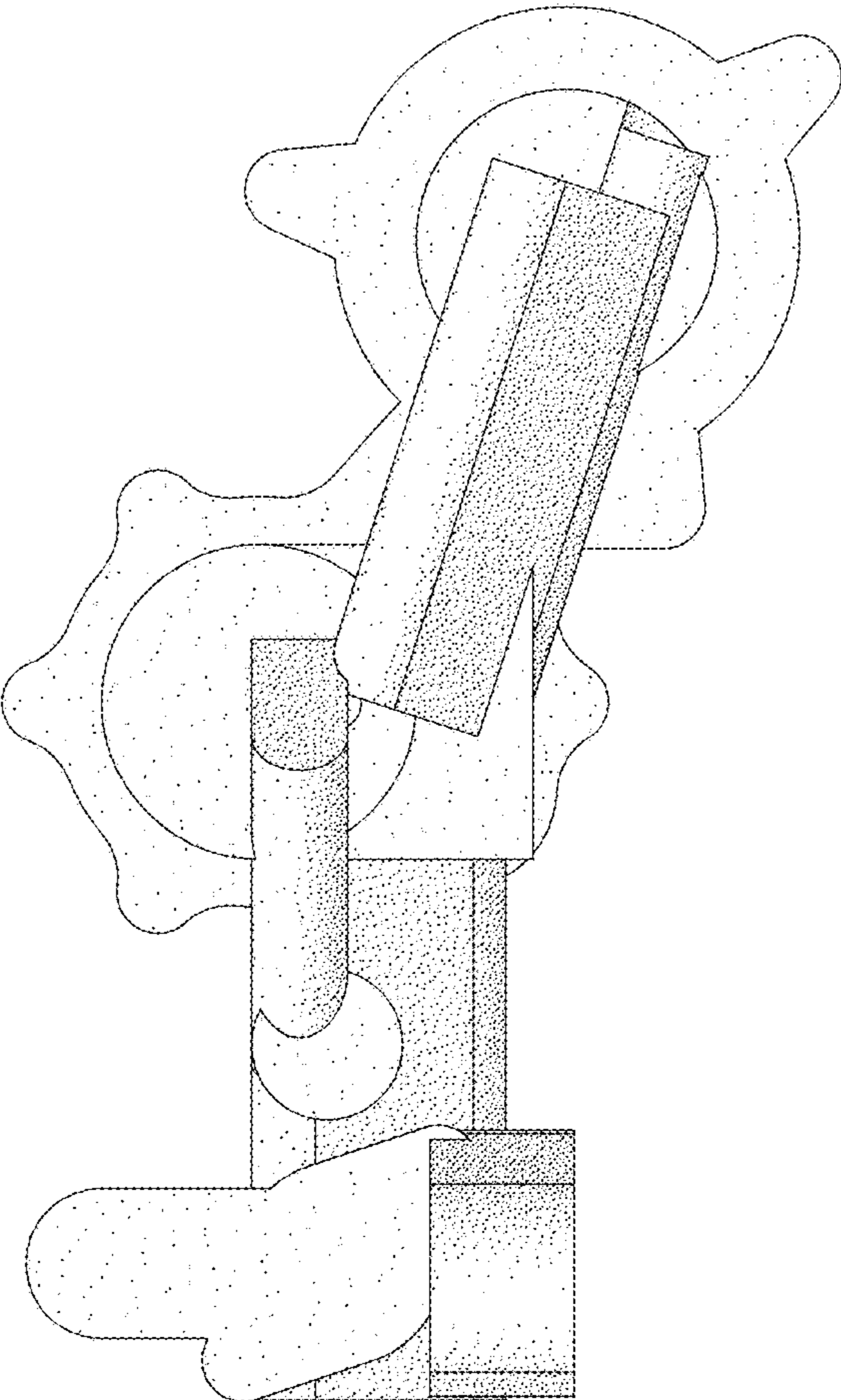
**FIG. 2**



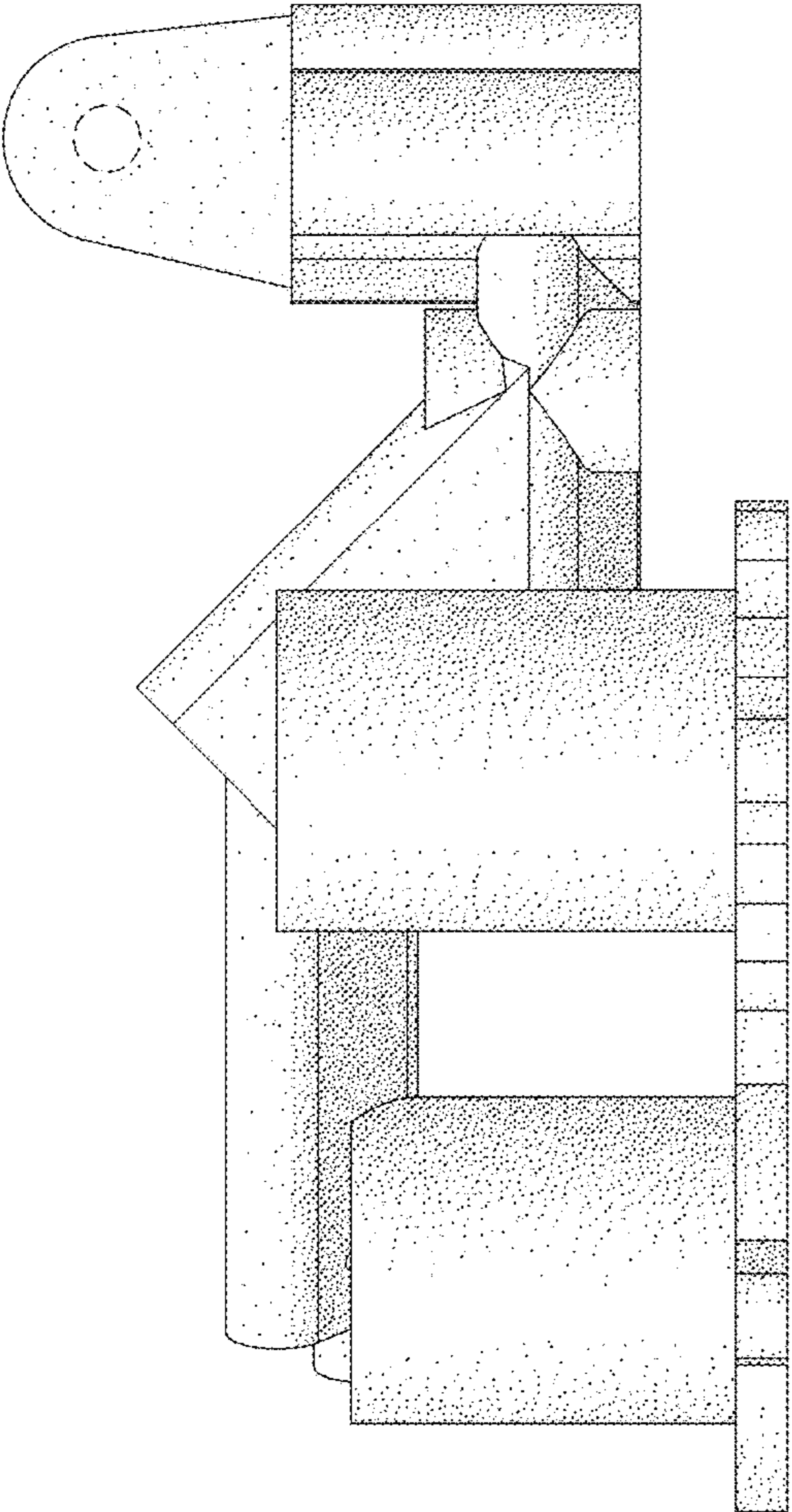
**FIG.3**



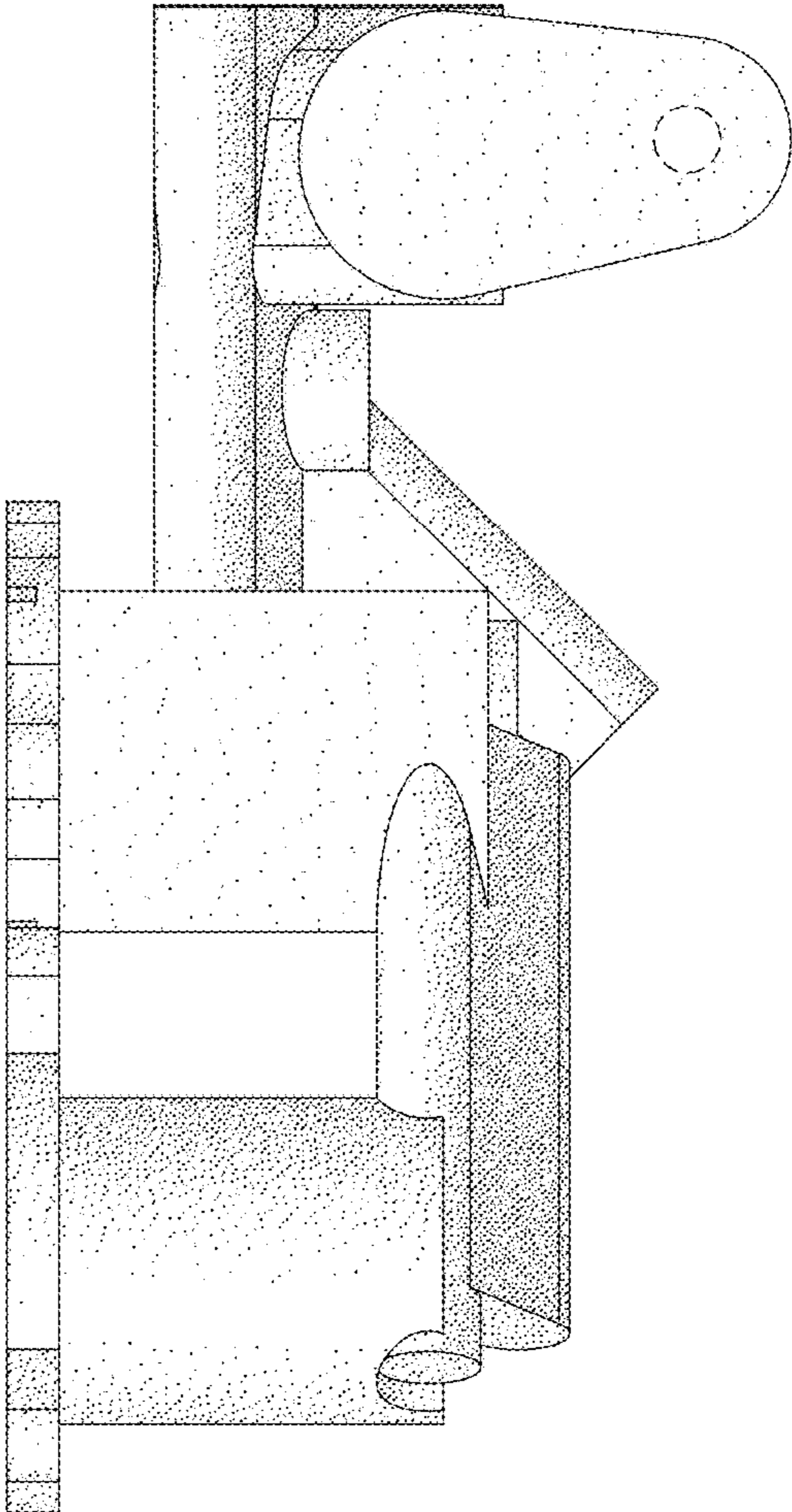
**FIG.4**

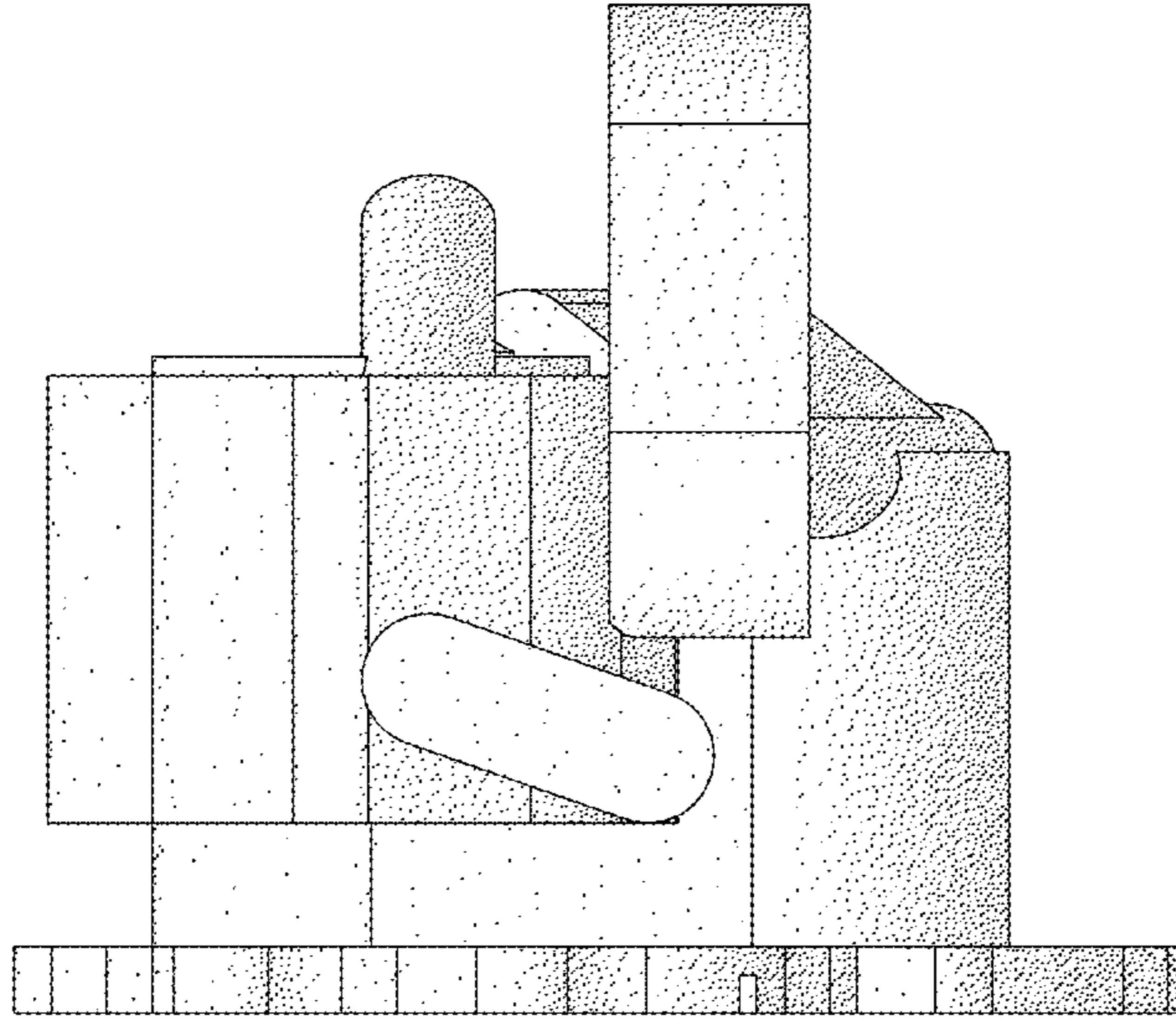


**FIG.5**

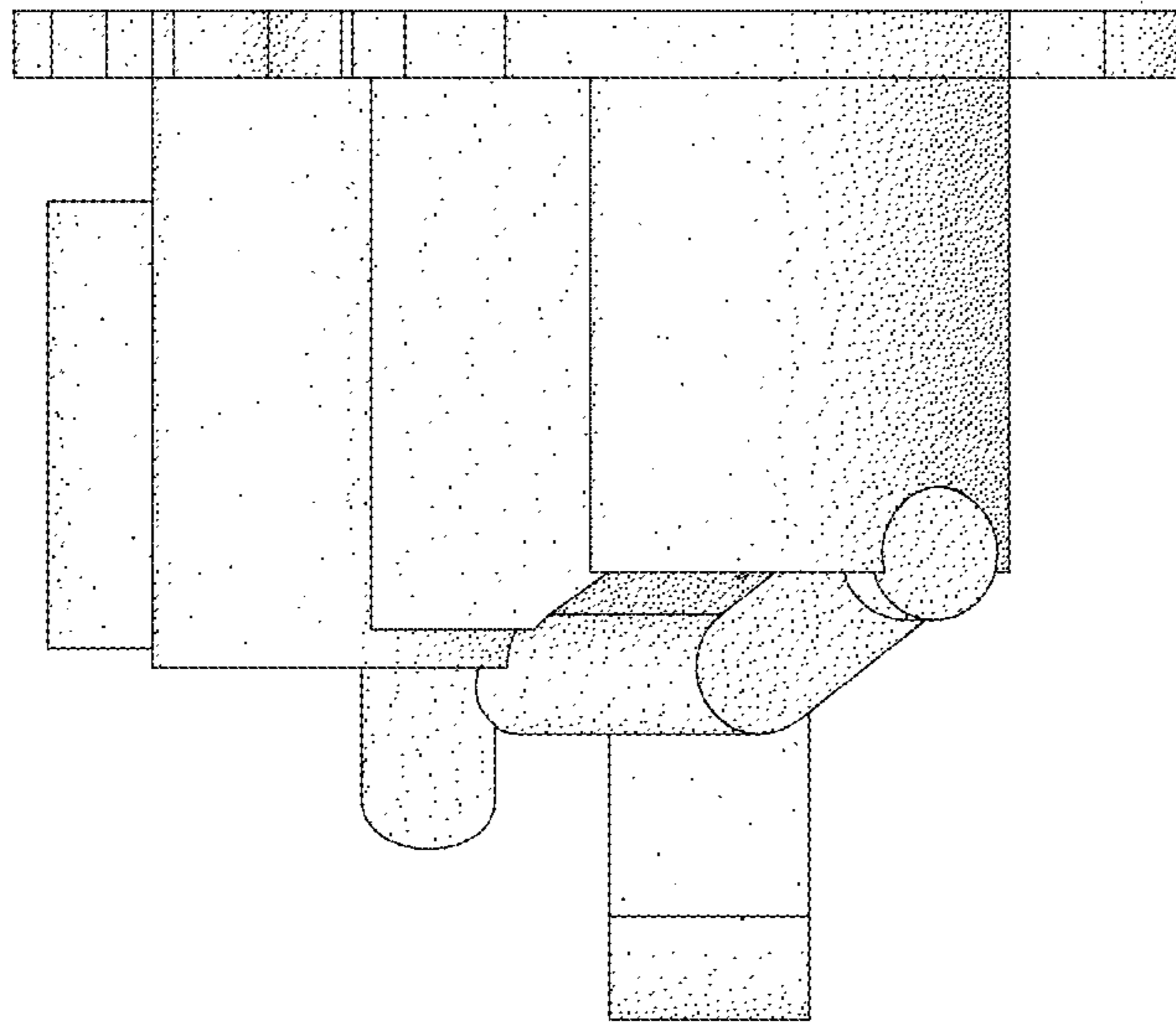


**FIG.6**





**FIG. 8**



**FIG. 7**