



US00D779559S

(12) **United States Design Patent**
Micken et al.

(10) **Patent No.:** **US D779,559 S**
(45) **Date of Patent:** **** Feb. 21, 2017**

(54) **INTAKE MANIFOLD**

5,636,515 A * 6/1997 Matsumoto F01N 13/10
277/591

(71) Applicant: **Dixon Valve & Coupling Company**
Inc., Chestertown, MD (US)

(Continued)

(72) Inventors: **Matthew Micken**, Millington, MD
(US); **James Shifrin**, Chestertown, MD
(US); **Edward Sander**, Wilmington, DE
(US)

Primary Examiner — T. Chase Nelson

Assistant Examiner — Ania Aman

(74) *Attorney, Agent, or Firm* — Howson & Howson,
LLP

(73) Assignee: **Dixon Valve & Coupling Company,**
Inc., Chestertown, MD (US)

(57) **CLAIM**

(**) Term: **14 Years**

The ornamental design for an intake manifold, as shown.

(21) Appl. No.: **29/516,958**

(22) Filed: **Feb. 9, 2015**

DESCRIPTION

(51) **LOC (10) Cl.** **15-01**

(52) **U.S. Cl.**

USPC **D15/5**

(58) **Field of Classification Search**

USPC D15/5; 123/184.39, 184.41, 184.42,
123/184.44, 184.47, 184.53, 184.61,
123/184.34, 184.33, 184.21, 41.27, 41.73,
123/184.35, 184.36, 184.55, 572; 60/299,
60/302, 313, 323, 325, 324; D12/194,
D12/110; 29/890.08; 285/150; 180/89.2,
180/296, 309; 181/227, 228,
181/239–241, 264, 282, 247–249

CPC F02M 35/10144; F02M 35/112; F02M
35/116; F02M 35/162; F02M 35/10039;
F02M 35/10052; F02M 35/10078; F02M
35/10347; F02M 35/10334; F02M
35/10321; F02M 35/10098; F02M
35/10072; F02M 35/104; F02M 35/10085

See application file for complete search history.

FIG. 1 is a perspective view of an intake manifold according
to our new design;

FIG. 2 is a top plan view of the intake manifold of FIG. 1;

FIG. 3 is a bottom plan view of the intake manifold of FIG.
1

FIG. 4 is a front elevational view of the intake manifold of
FIG. 1;

FIG. 5 is a rear elevational view of the intake manifold of
FIG. 1;

FIG. 6 is a left side elevational view of the intake manifold
of FIG. 1;

FIG. 7 is a right side elevational view of the intake manifold
of FIG. 1;

FIG. 8 is a perspective view of an alternate embodiment of
an intake manifold according to our new design;

FIG. 9 is a top plan view of the intake manifold of FIG. 8;

FIG. 10 is a bottom plan view of the intake manifold of FIG.
8;

FIG. 11 is a front elevational view of the intake manifold of
FIG. 8;

FIG. 12 is a rear elevational view of the intake manifold of
FIG. 8;

FIG. 13 is a left side elevational view of the intake manifold
of FIG. 8; and,

(Continued)

(56) **References Cited**

U.S. PATENT DOCUMENTS

1,321,952 A * 11/1919 Tice F02M 1/00
123/184.41

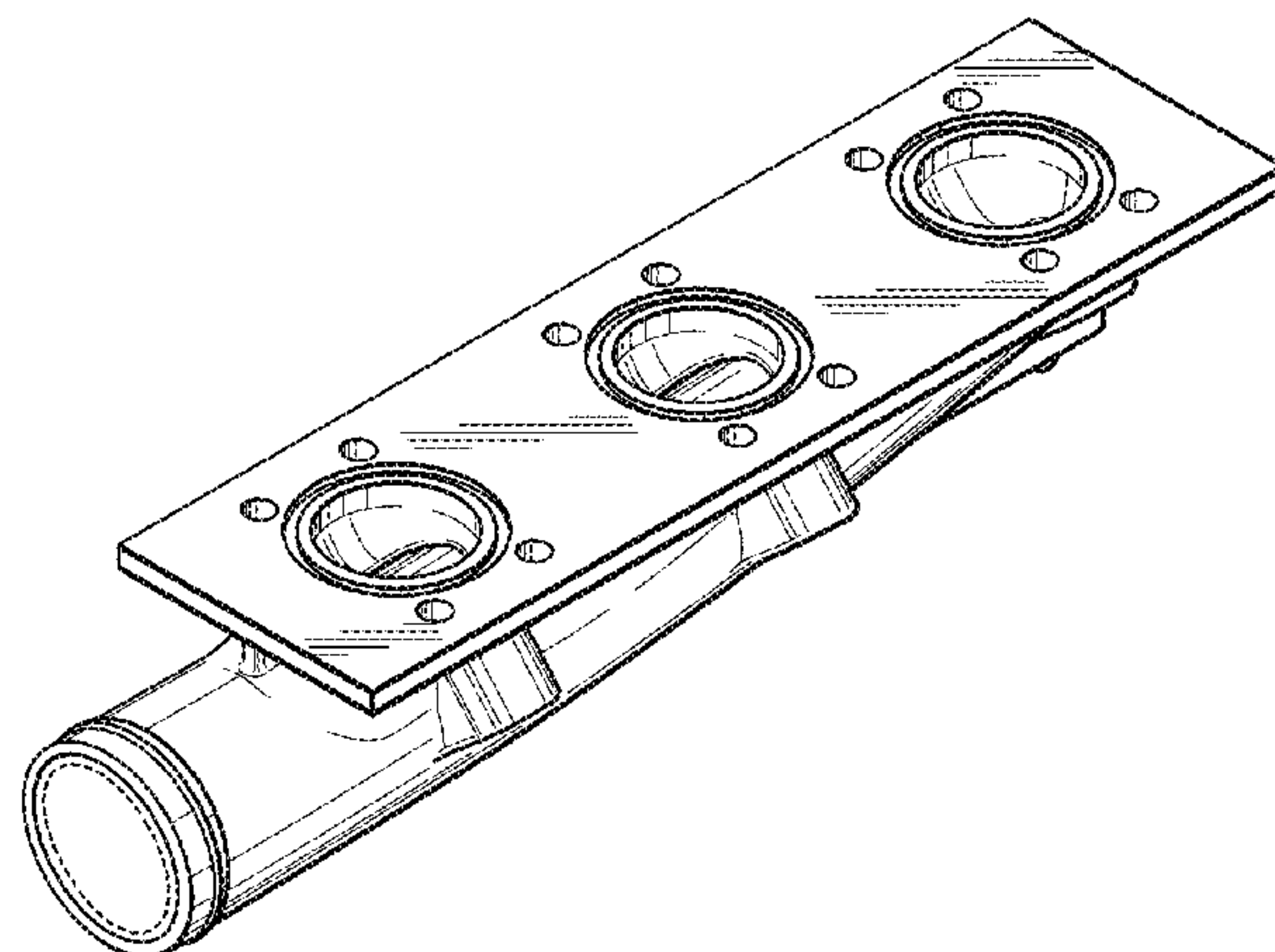


FIG. 14 is a right side elevational view of the intake manifold of FIG. 8.

The broken lines corresponding to the interior surface of the intake manifold depict a portion of the intake manifold forming no part of the claimed design.

1 Claim, 4 Drawing Sheets

(56)

References Cited

U.S. PATENT DOCUMENTS

5,692,373 A * 12/1997 Atmur C04B 35/80
60/274
6,082,104 A * 7/2000 Hyakutake F01N 13/10
29/890.08
6,343,417 B1 * 2/2002 Bonny F01N 13/102
29/455.1
D700,555 S * 3/2014 Glaeser D12/194
D700,556 S * 3/2014 Glaeser D12/194
D700,558 S * 3/2014 Glaeser D12/194

D700,559 S * 3/2014 Glaeser D12/194
D700,560 S * 3/2014 Glaeser D12/194
D700,561 S * 3/2014 Glaeser D12/194
8,985,087 B2 * 3/2015 Matsuzaki F02B 31/06
123/184.56
2005/0072143 A1 * 4/2005 Diez F01N 13/102
60/321
2005/0279313 A1 * 12/2005 Boyes F02B 27/02
123/184.55
2006/0236687 A1 * 10/2006 Ruehle F01N 13/10
60/323
2009/0217915 A1 * 9/2009 Heald 123/568.17
2009/0293831 A1 * 12/2009 Harada F02M 35/10085
123/184.53
2010/0018192 A1 * 1/2010 Suschik F01N 13/10
60/323
2011/0039461 A1 * 2/2011 White F01N 3/2803
440/89 H
2014/0041372 A1 * 2/2014 Cha F01N 13/10
60/323
2014/0165544 A1 * 6/2014 Geminn F01N 13/10
60/323

* cited by examiner

FIG.1

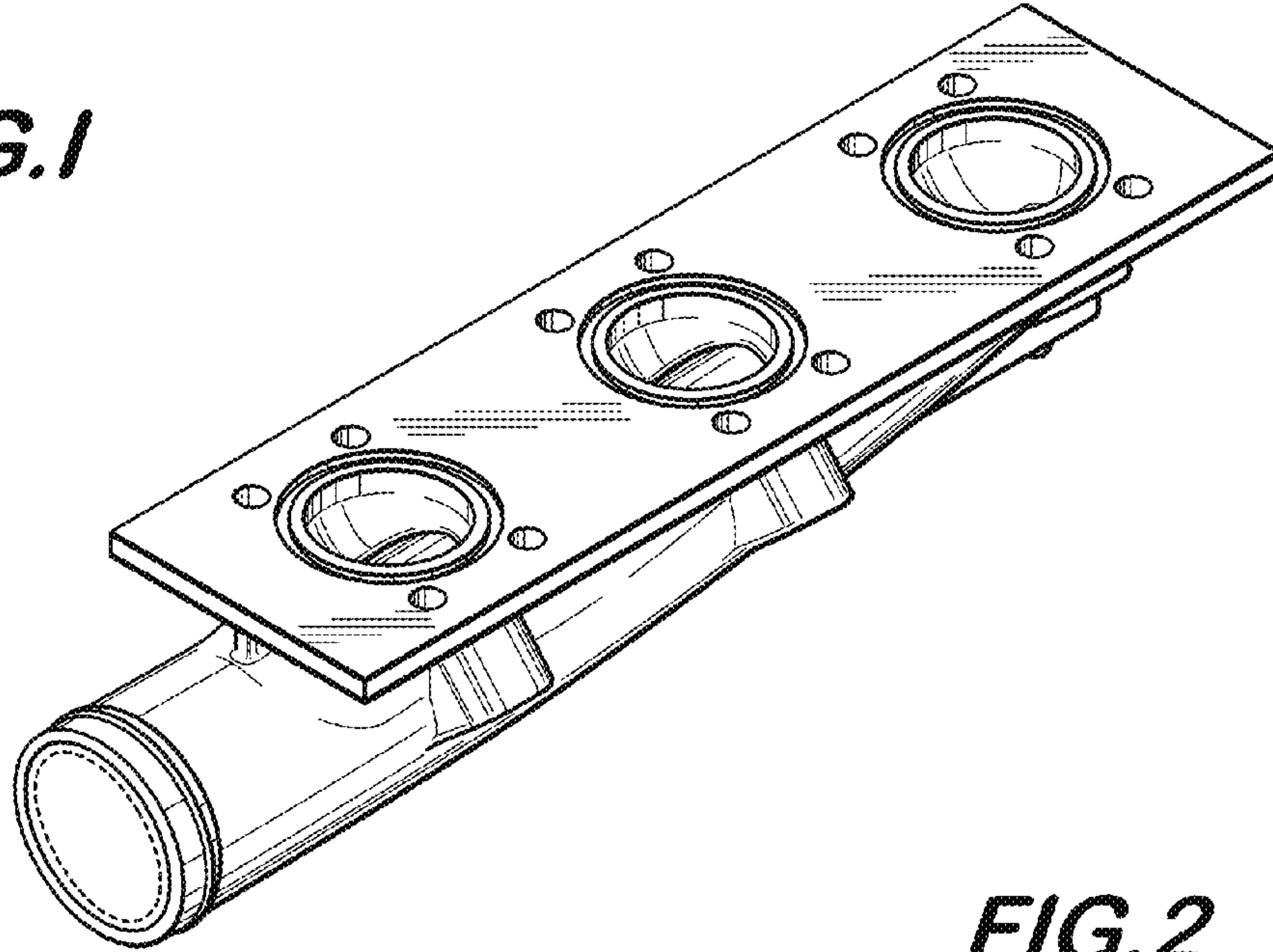


FIG.2

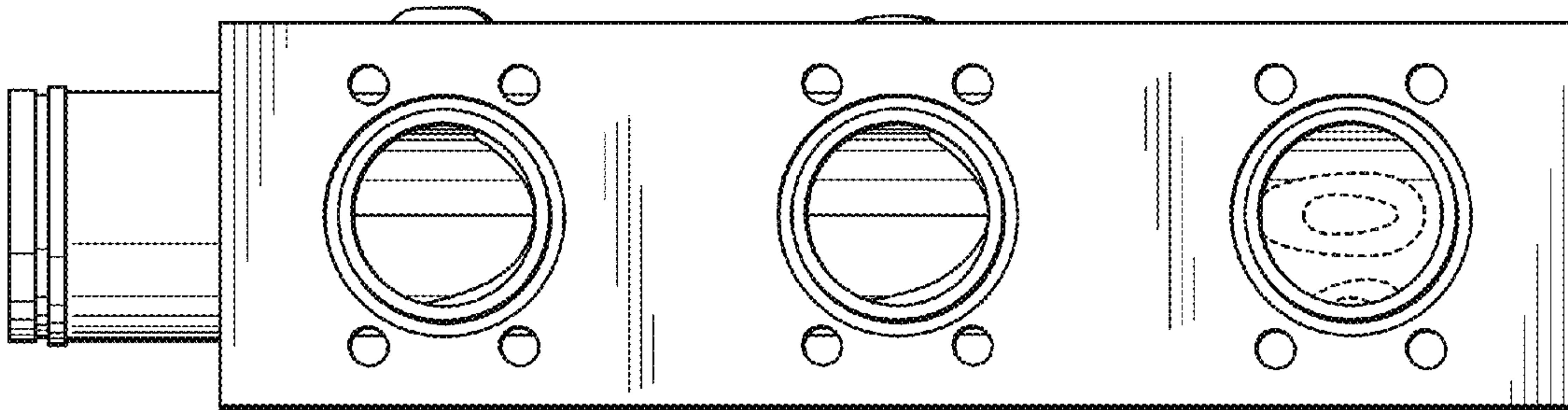


FIG.3

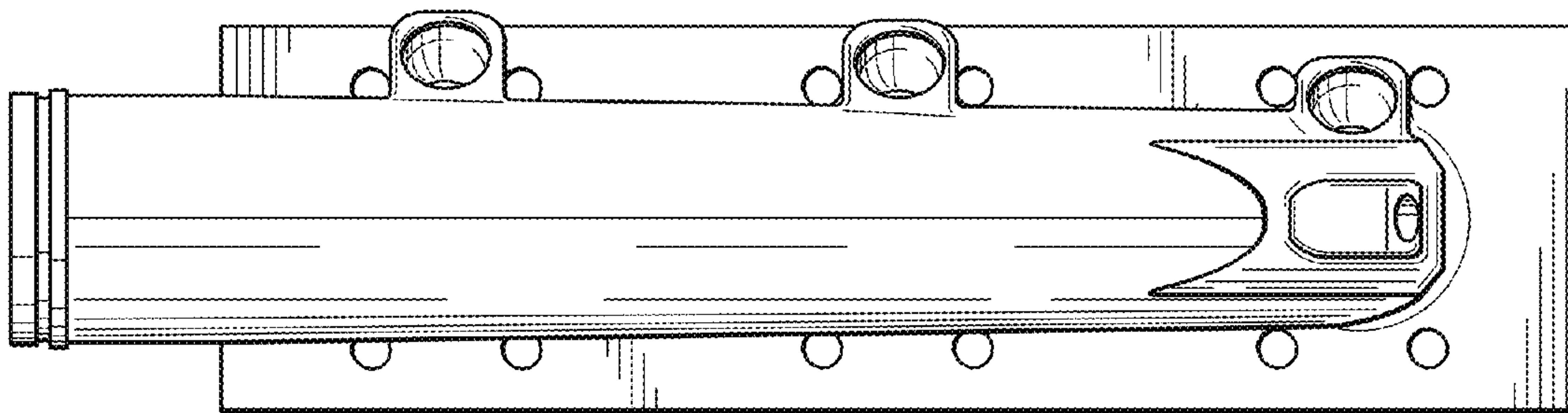


FIG. 4

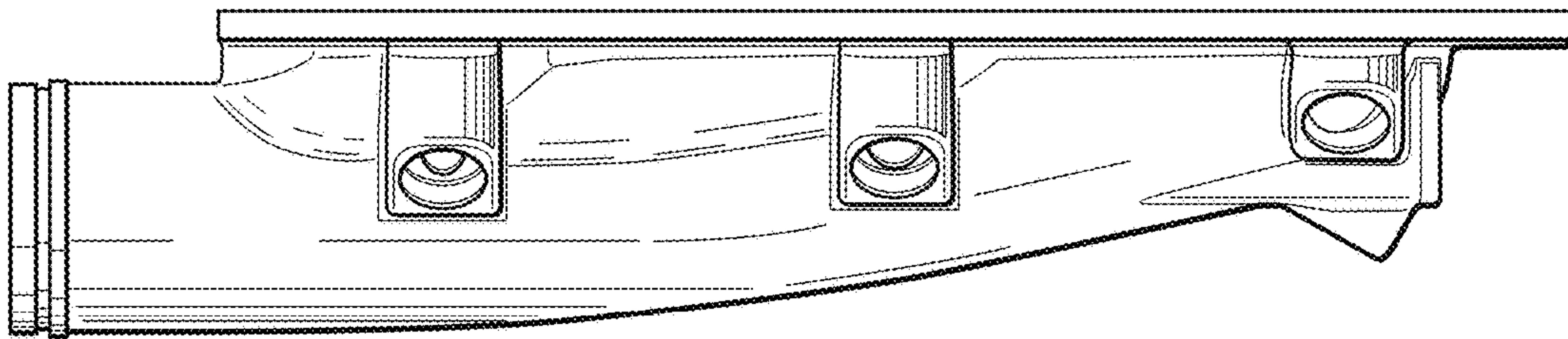


FIG. 5

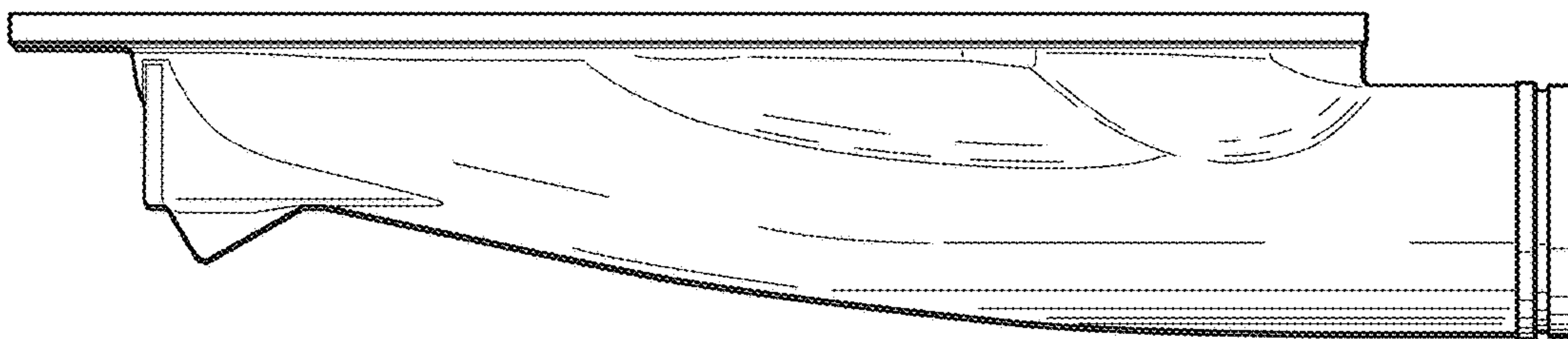


FIG. 6

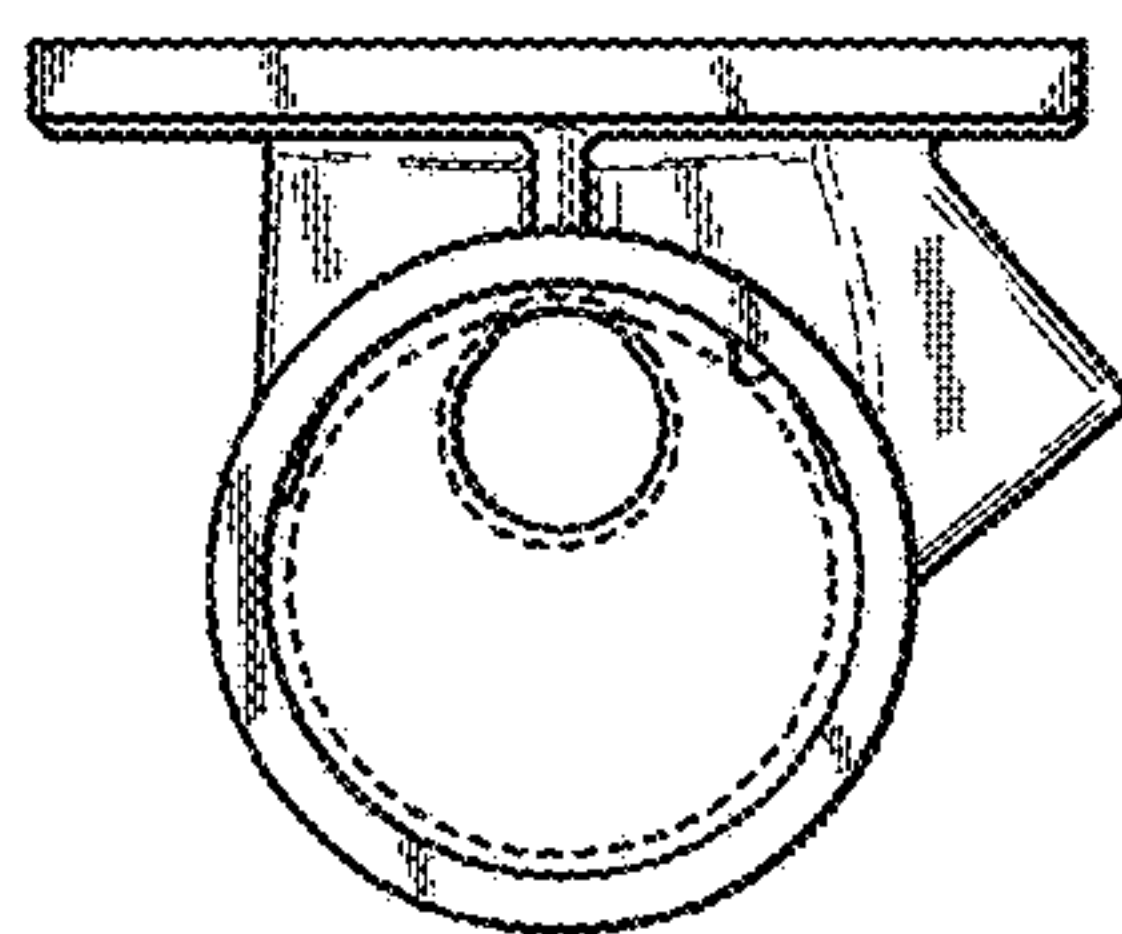


FIG. 7

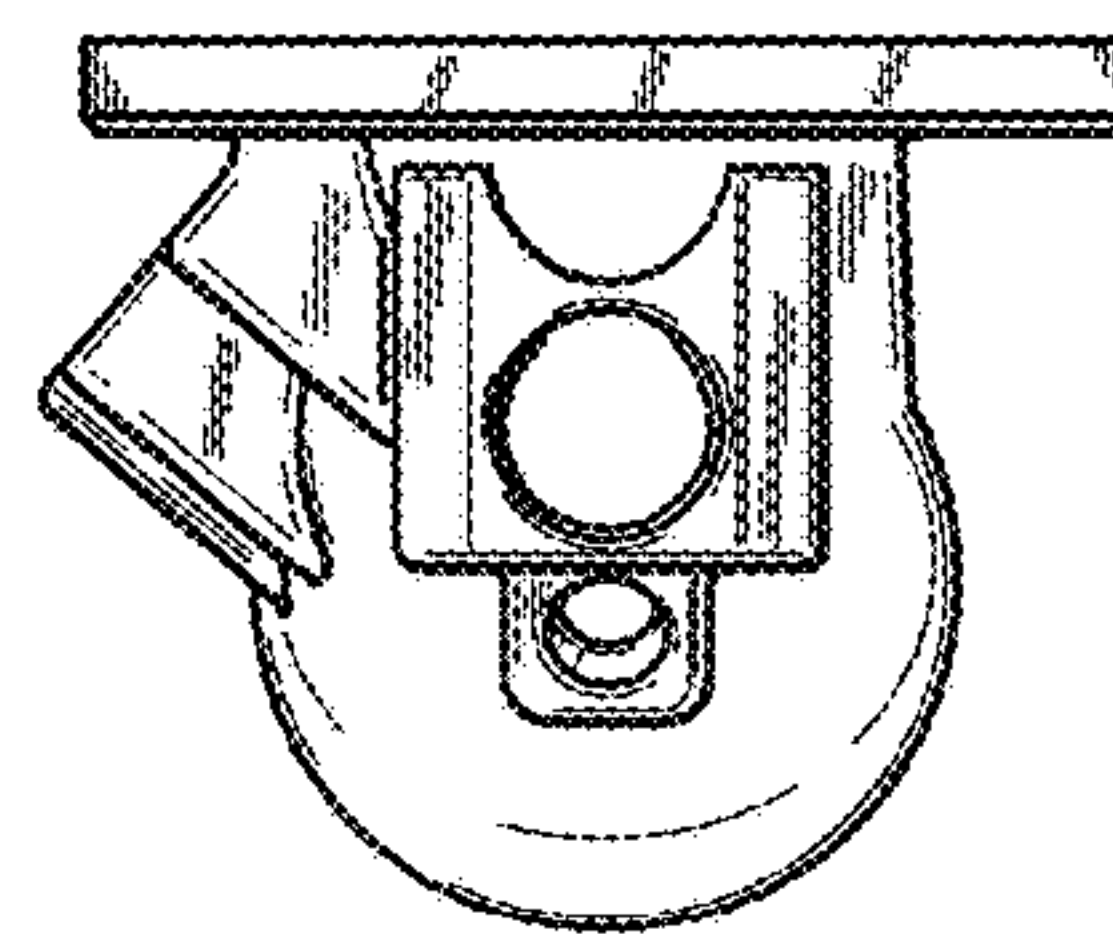


FIG. 8

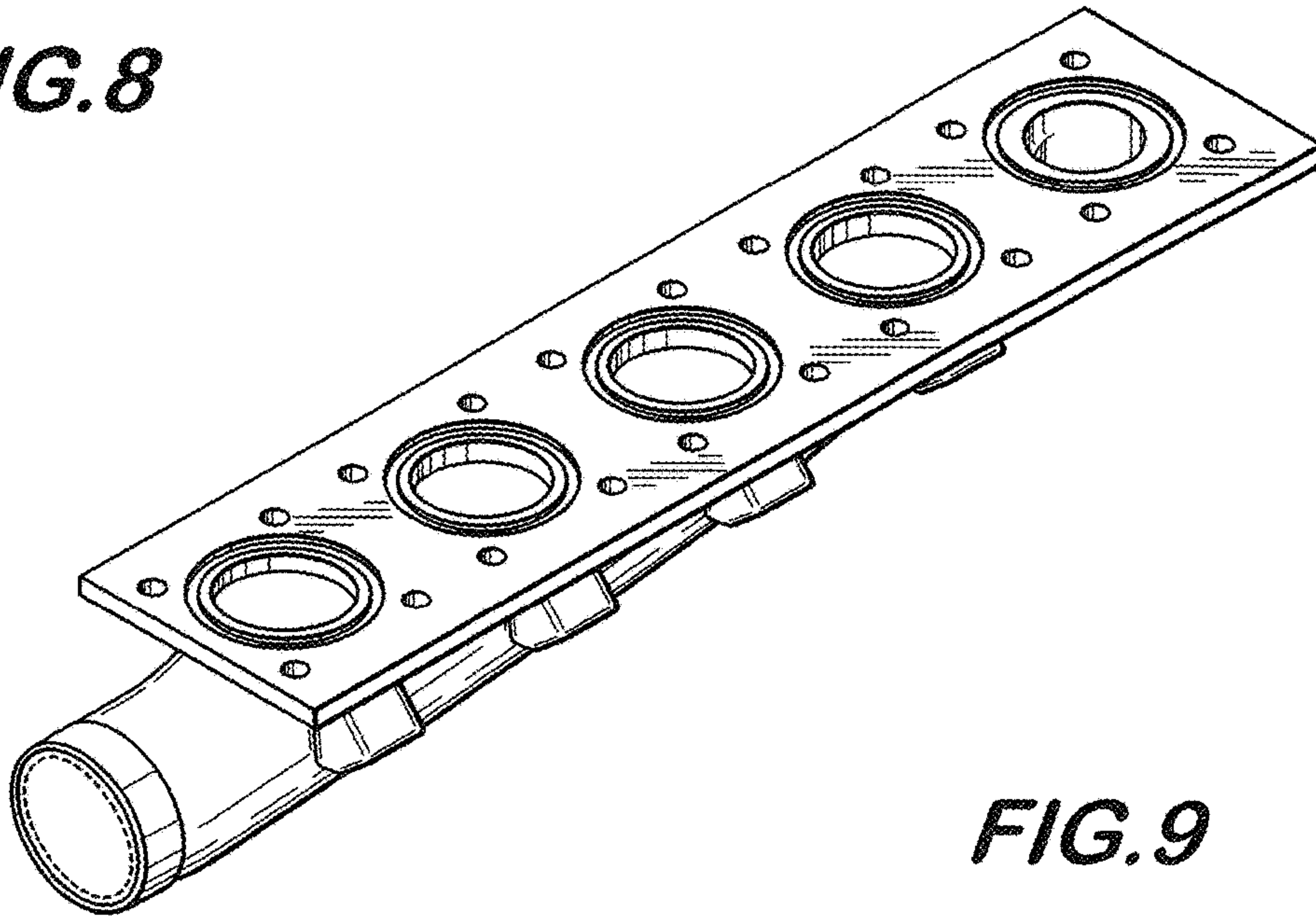


FIG. 9

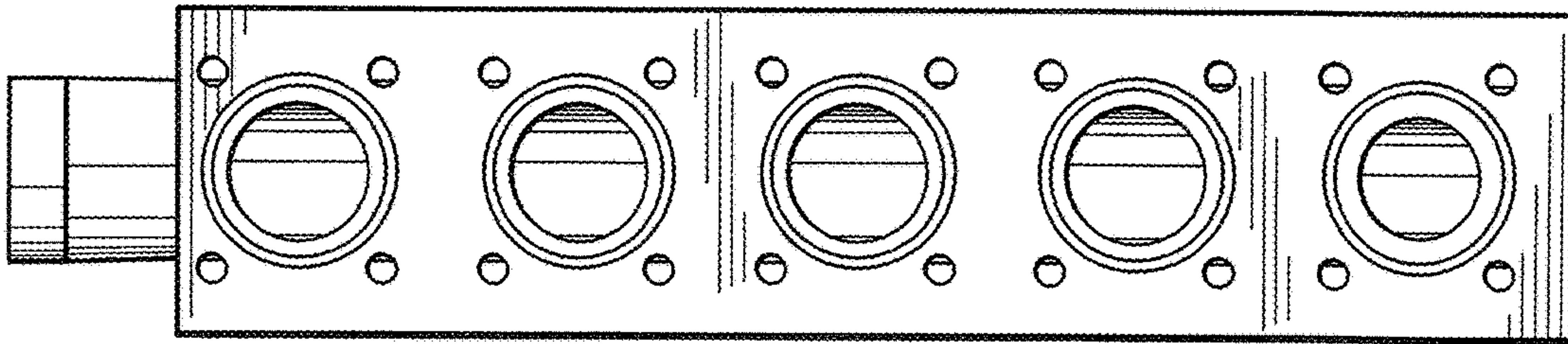


FIG. 10

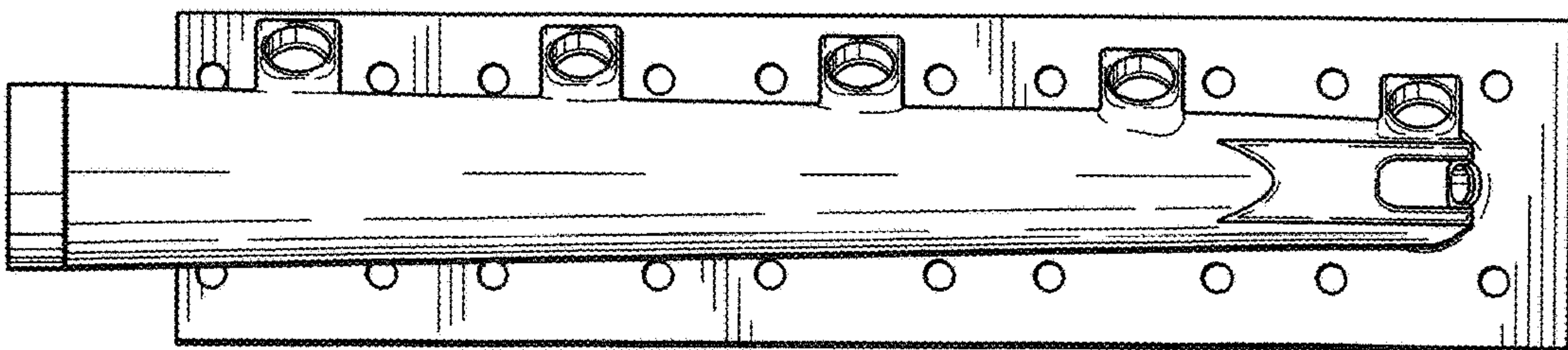


FIG. 11

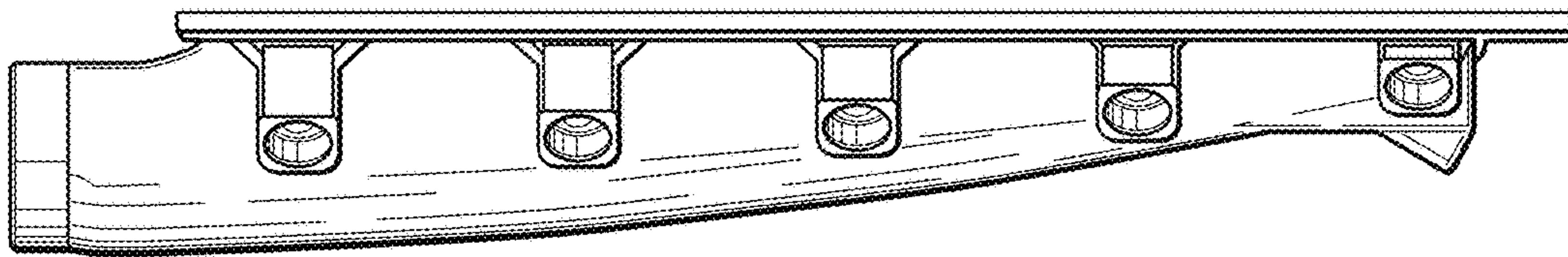


FIG. 12

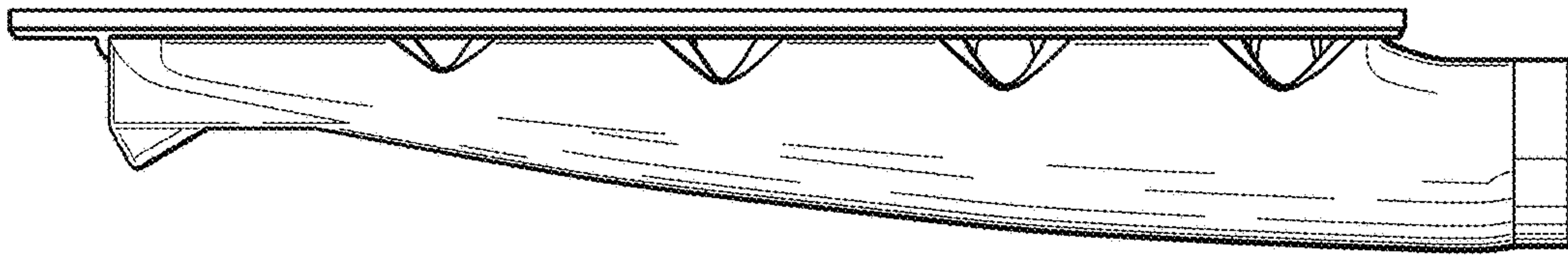


FIG. 13

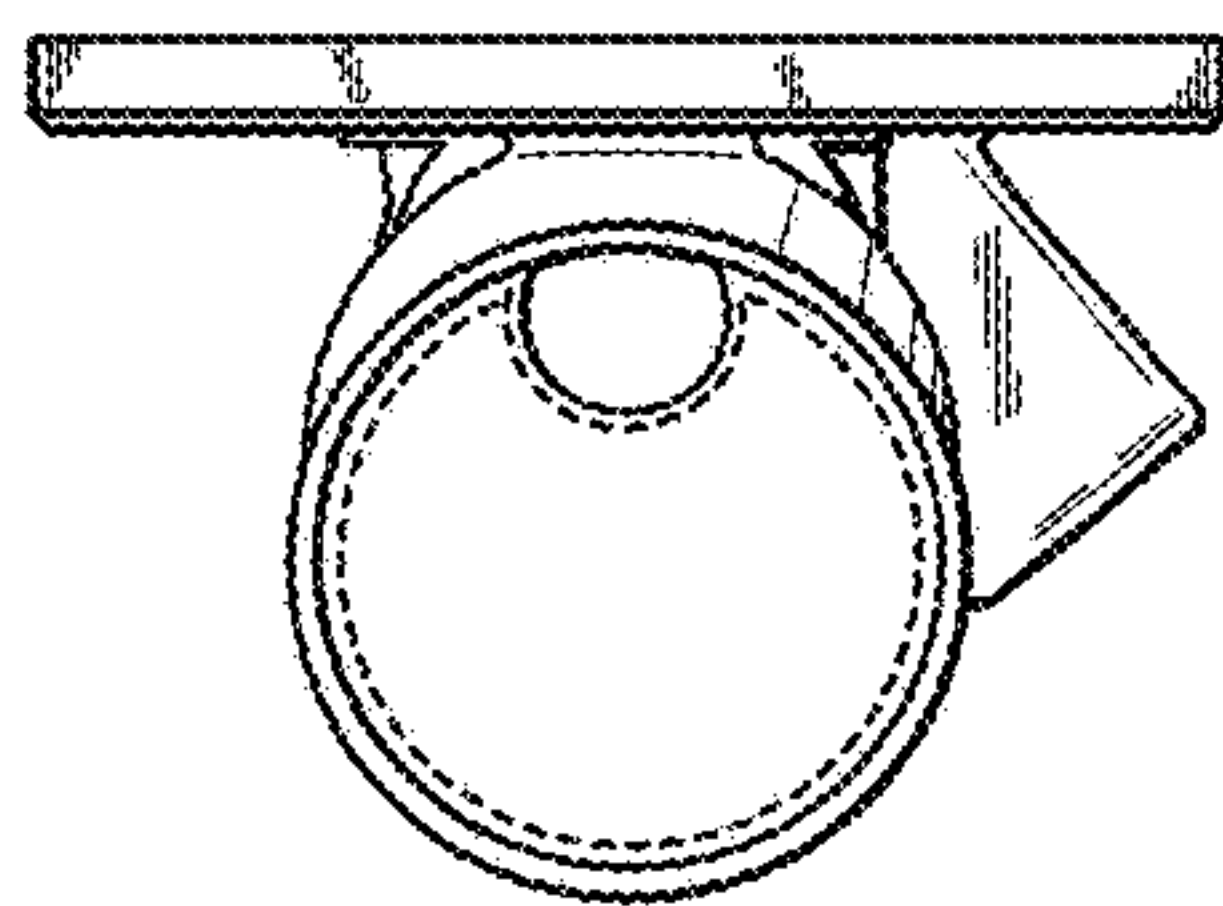


FIG. 14

