



US00D779554S

(12) **United States Design Patent** (10) **Patent No.:** **US D779,554 S**
Kim et al. (45) **Date of Patent:** **** Feb. 21, 2017**

(54) **DISPLAY SCREEN OR PORTION THEREOF WITH ICON**

(71) Applicant: **Samsung Electronics Co., Ltd.**, Suwon-si (KR)

(72) Inventors: **Changhwan Kim**, Seoul (KR); **Ho Kim**, Seoul (KR)

(73) Assignee: **SAMSUNG ELECTRONICS CO., LTD.**, Suwon-si (KR)

(**) Term: **15 Years**

(21) Appl. No.: **29/531,547**

(22) Filed: **Jun. 26, 2015**

(30) **Foreign Application Priority Data**

Feb. 27, 2015 (KR) 30-2015-0010387

(51) **LOC (10) Cl.** **14-04**

(52) **U.S. Cl.**
USPC **D14/491**

(58) **Field of Classification Search**
USPC D14/485-495
CPC G06F 3/0481; G06F 3/04817
See application file for complete search history.

(56) **References Cited**

U.S. PATENT DOCUMENTS

- D408,389 S * 4/1999 Newton D14/488
- D525,981 S * 8/2006 Hally D14/485
- D547,324 S * 7/2007 Ivanov D14/491
- D547,769 S * 7/2007 Griffith D14/491
- D549,726 S * 8/2007 Van Dongen D14/491
- D560,680 S * 1/2008 Armendariz D14/491
- D574,846 S * 8/2008 O'Donnell D14/491
- D582,939 S * 12/2008 Neuhaus D14/491
- D606,090 S * 12/2009 Danton D14/488
- D619,617 S * 7/2010 Dunn D14/491

- D625,735 S * 10/2010 Ryono D14/491
- D667,434 S * 9/2012 Phelan D14/491
- D676,865 S * 2/2013 Phelan D14/487
- D683,756 S * 6/2013 Phelan D14/489
- D684,182 S * 6/2013 Phelan D14/489
- D706,792 S * 6/2014 Kavett D14/486
- D708,194 S * 7/2014 Kavett D14/486
- D738,919 S * 9/2015 Torres D14/493
- D741,902 S * 10/2015 Sakamoto D14/489

(Continued)

FOREIGN PATENT DOCUMENTS

- EM 000910807-0050 5/2008
- EM 000910807-0092 5/2008

OTHER PUBLICATIONS

Upload Icon, author unknown, last modified Jun. 24, 2009, diweltistgarnichtso.net [online], [retrieved Oct. 14, 2016]. Available from Internet <URL:Image address: http://daten.diweltistgarnichtso.net/pics/icons/document-upload/document-upload128x128.png>.*

(Continued)

Primary Examiner — Cathron Brooks
Assistant Examiner — Andrew Nemeth
(74) *Attorney, Agent, or Firm* — McAndrews Held & Malloy, Ltd.

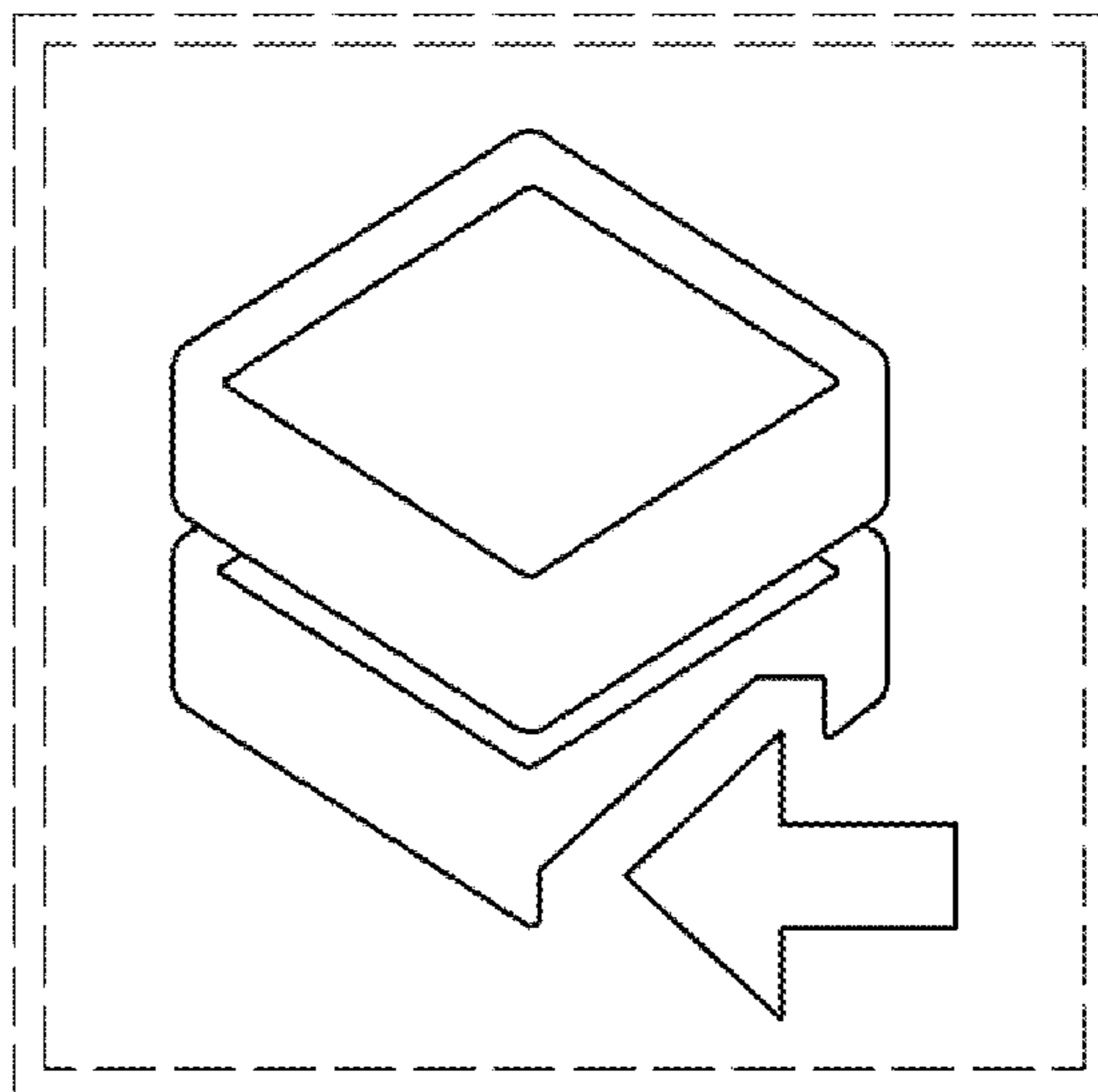
(57) **CLAIM**

The ornamental design for a display screen or portion thereof with icon, as shown and described.

DESCRIPTION

The FIGURE is a front view of a display screen or portion thereof with icon showing our new design. The broken lines in the FIGURE show a display screen or portion thereof and form no part of the claimed design.

1 Claim, 1 Drawing Sheet



(56)

References Cited

U.S. PATENT DOCUMENTS

D748,108	S *	1/2016	Yun	D14/485
D750,108	S *	2/2016	Lee	D14/485
D753,147	S *	4/2016	Kim	D14/485
D754,147	S *	4/2016	Chen	D14/485
D756,406	S *	5/2016	Chen	D14/489
D757,737	S *	5/2016	Chaudhri	D14/485
D757,802	S *	5/2016	Kim	D14/489
D768,193	S *	10/2016	Choi	D14/491
2014/0115467	A1 *	4/2014	Bachman	G06Q 30/0643 715/716
2016/0021179	A1 *	1/2016	James	H04L 67/1046 709/204

OTHER PUBLICATIONS

Office elements, by Inmotus Design, posted Jan. 25, 2015, iconfinder.com [online], [retrieved Oct. 12, 2016]. Available from internet: <URL:https://www.iconfinder.com/iconsets/office-elements>.*
<http://sensibleworld.com/news/unified-inbox-icon-218>, "Sensible World," "Unified Inbox Icon," published Aug. 6, 2013, last accessed Jun. 25, 2015.

* cited by examiner

