



US00D779550S

(12) **United States Design Patent** (10) **Patent No.:** **US D779,550 S**
Yang et al. (45) **Date of Patent:** **** Feb. 21, 2017**

(54) **DISPLAY SCREEN PORTION WITH ANIMATED GRAPHICAL USER INTERFACE**

(71) Applicant: **Tencent Technology (Shenzhen) Company Limited**, Shenzhen, Guangdong (CN)

(72) Inventors: **Kai Yang**, Guangdong (CN); **Yanhui Shen**, Guangdong (CN); **Juncong Li**, Guangdong (CN)

(73) Assignee: **Tencent Technology (Shenzhen) Company Limited** (CN)

(**) Term: **14 Years**

(21) Appl. No.: **29/482,759**

(22) Filed: **Feb. 21, 2014**

(51) **LOC (10) Cl.** **14-04**

(52) **U.S. Cl.**
USPC **D14/489**

(58) **Field of Classification Search**
USPC D14/485–495

(Continued)

(56) **References Cited**

U.S. PATENT DOCUMENTS

D624,926 S * 10/2010 Allen D14/485

D625,319 S * 10/2010 Allen D14/485

(Continued)

Primary Examiner — Melanie H Tung

Assistant Examiner — Bao-Yen Nguyen

(74) *Attorney, Agent, or Firm* — Design IP

(57) **CLAIM**

The ornamental design for a display screen portion with animated graphical user interface, as shown and described.

DESCRIPTION

FIG. 1 is a front view of a first image of a first embodiment of a display screen portion with animated graphical user interface showing our new design;

FIG. 2 is a front view of a second image thereof;

FIG. 3 is a front view of a first image of a second embodiment of a display screen portion with animated graphical user interface showing our new design;

FIG. 4 is a front view of a second image thereof;

FIG. 5 is a front view of a first image of a third embodiment of a display screen portion with animated graphical user interface showing our new design;

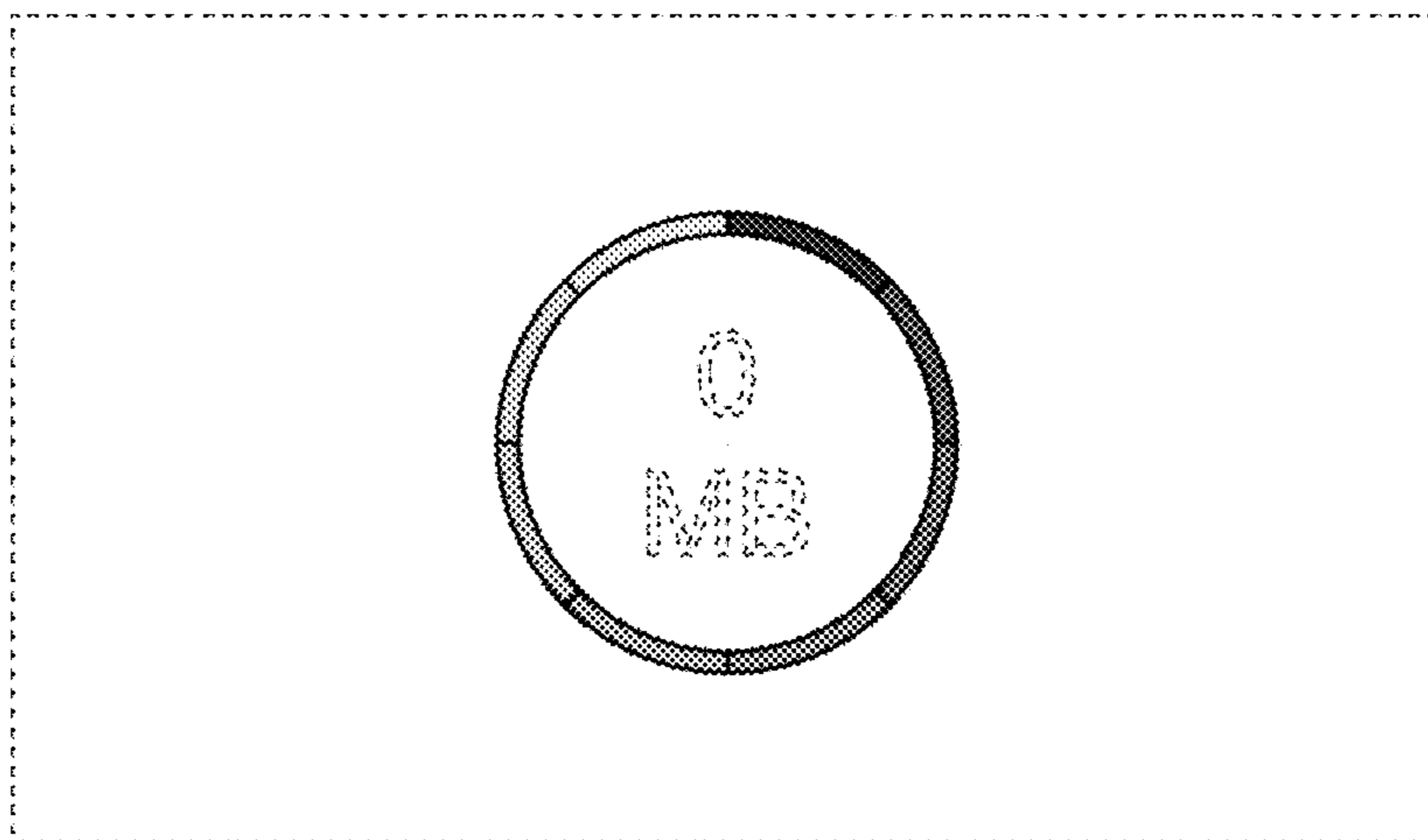
FIG. 6 is a front view of a second image thereof;

FIG. 7 is a front view of a first image of a fourth embodiment of a display screen portion with animated graphical user interface showing our new design; and,

FIG. 8 is a front view of a second image thereof.

In the first embodiment, the appearance of the transitional image sequentially transitions between the images shown in FIGS. 1 and 2. In the second embodiment, the appearance of the transitional image sequentially transitions between the images shown in FIGS. 3 and 4. In the third embodiment, the appearance of the transitional image sequentially transitions between the images shown in FIGS. 5 and 6. In the fourth embodiment, the appearance of the transitional image sequentially transitions between the images shown in FIGS. 7 and 8. The process or period in which one image transitions to another image forms no part of the claimed design. The broken line showing of a portion of a display screen in FIGS. 1 through 8 forms no part of the claimed design. The broken line showing text and portions of the graphical user interface forms no part of the claimed design.

1 Claim, 8 Drawing Sheets



(58) **Field of Classification Search**

CPC .. G06F 3/0484; G06F 3/0481; G06F 3/04812;
 G06F 3/04815; G06F 3/04817; G06F
 3/0482; G06F 3/0483; G06F 3/04842;
 G06F 3/04845; G06F 3/04847; G06F
 3/0485; G06F 3/04855; G06F
 3/0486; G06F 3/0487; G06F
 3/0488; G06F 3/04883; G06F 3/04886

See application file for complete search history.

(56) **References Cited**

U.S. PATENT DOCUMENTS

D630,643	S	*	1/2011	Wilson	D14/486
D644,661	S	*	9/2011	Gardner	D14/495
D645,470	S	*	9/2011	Matas	D14/489
D676,060	S	*	2/2013	Frost	D14/490
D677,271	S	*	3/2013	Phelan	D14/489
D690,718	S	*	10/2013	Thomsen	D14/485
D716,320	S	*	10/2014	Fan	D14/485
D716,321	S	*	10/2014	Fan	D14/485
D722,072	S	*	2/2015	Sloo	D14/486
D726,219	S	*	4/2015	Chaudhri	D14/489
D737,288	S	*	8/2015	Oda	D14/485
D738,389	S	*	9/2015	Drozd	D14/485
D738,909	S	*	9/2015	Herold	D14/488
D740,300	S	*	10/2015	Lee	D14/485
D740,301	S	*	10/2015	Soegiono	D14/485
D741,898	S	*	10/2015	Soegiono	D14/488
D742,910	S	*	11/2015	Drozd	D14/485
D744,535	S	*	12/2015	Shin	D14/489
D750,650	S	*	3/2016	Lee	D14/486
2014/0380219	A1	*	12/2014	Cartan	G06F 3/04842 715/771

* cited by examiner

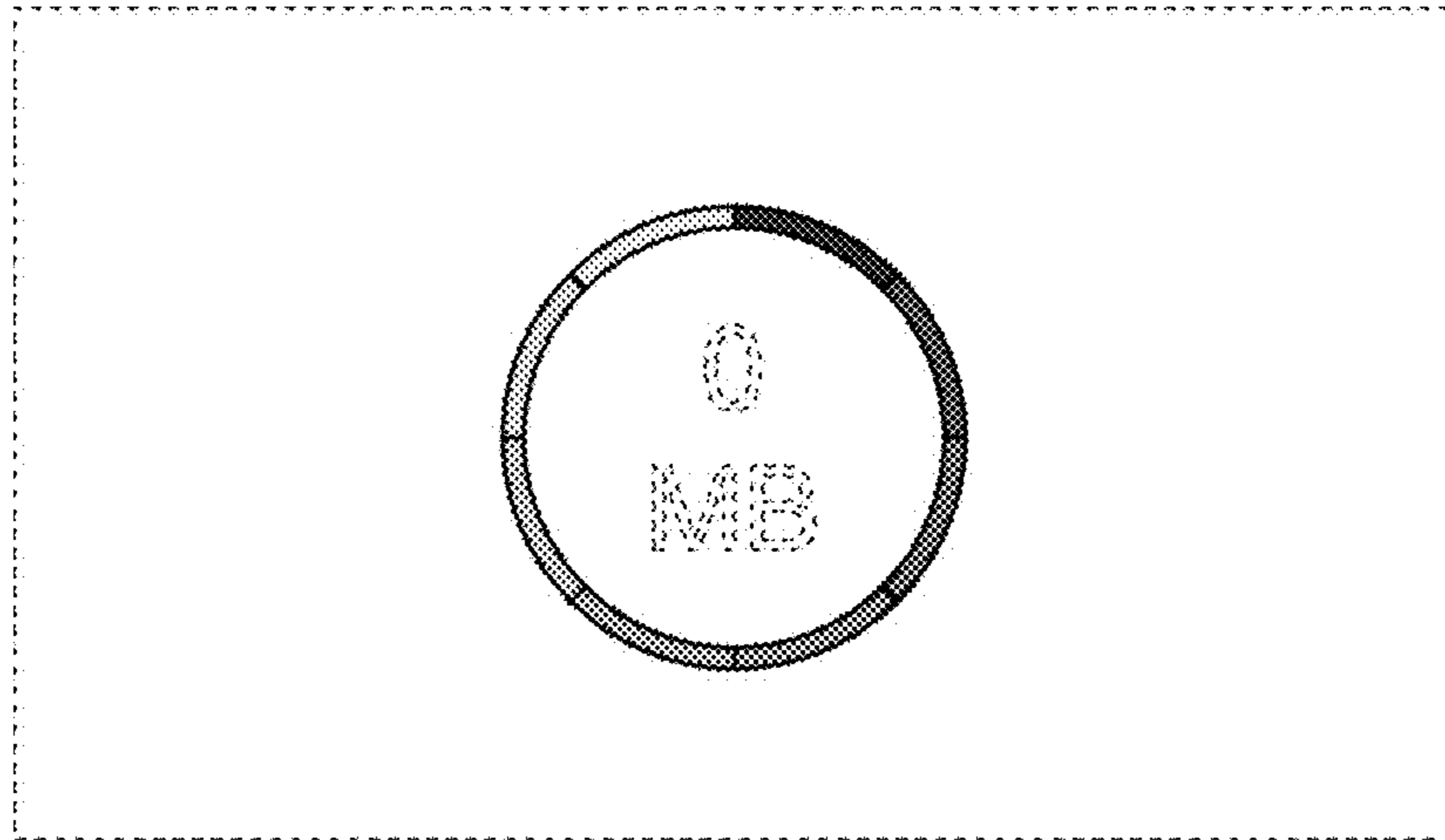


FIG. 1

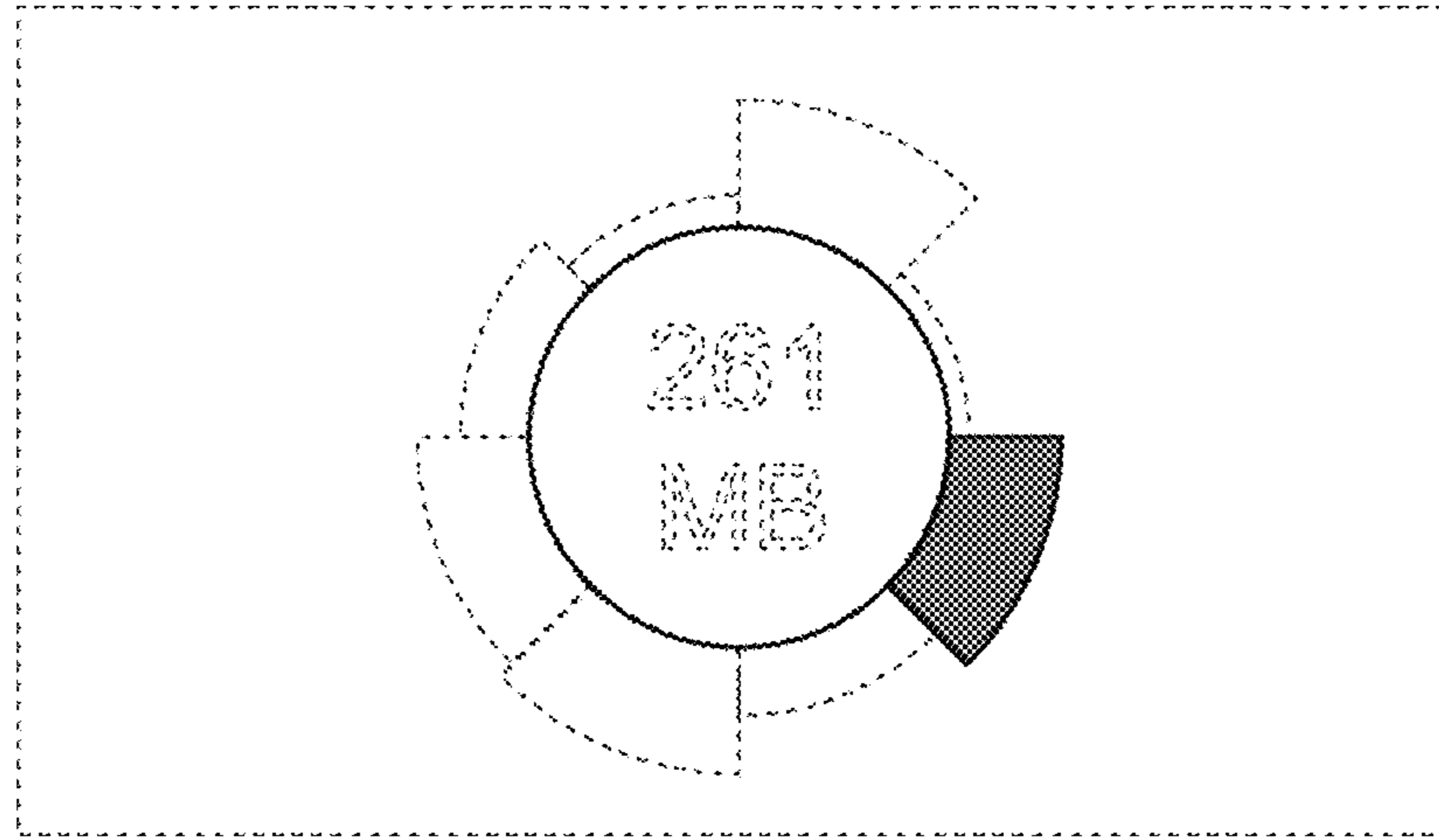


FIG. 2

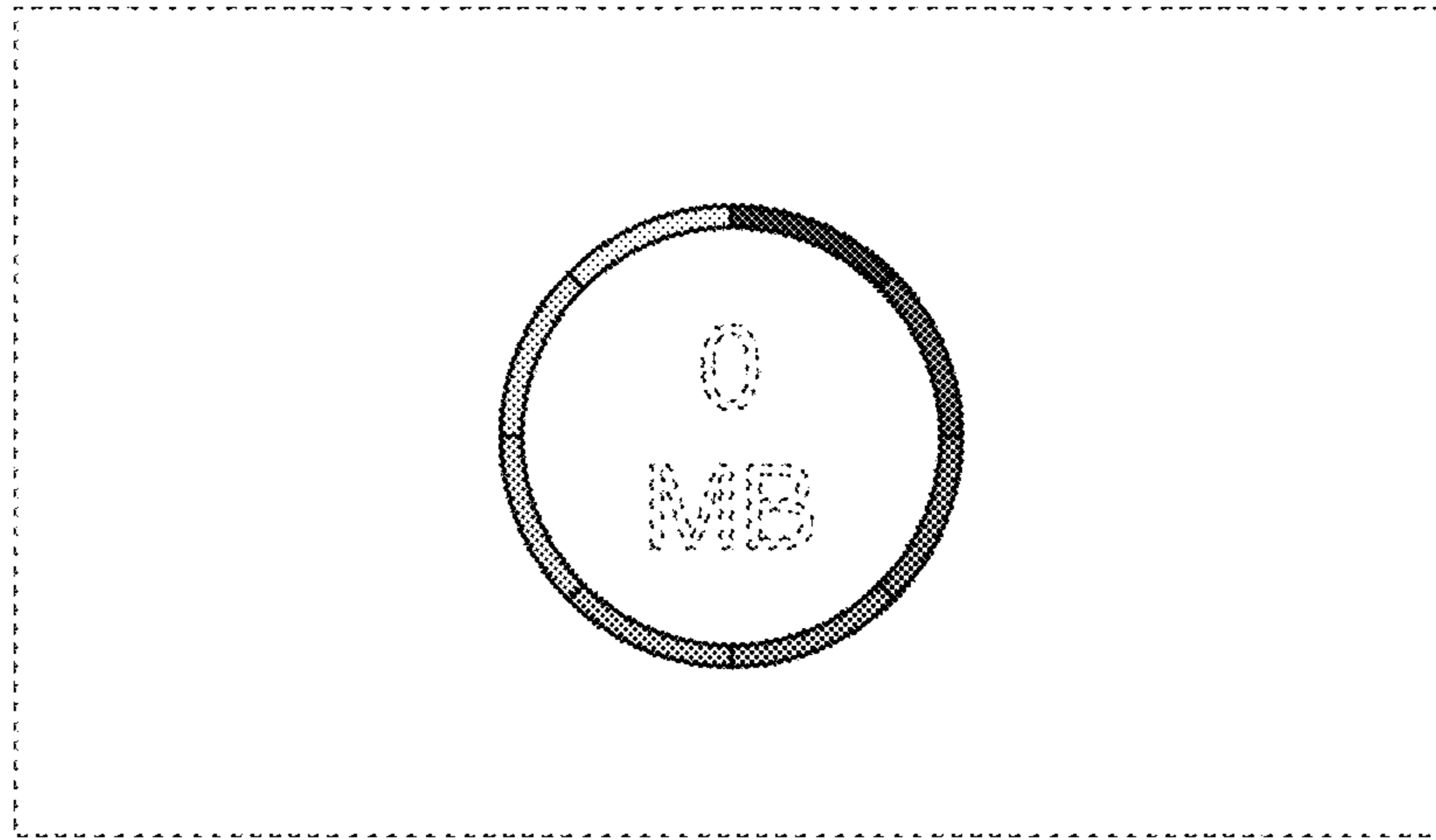


FIG. 3

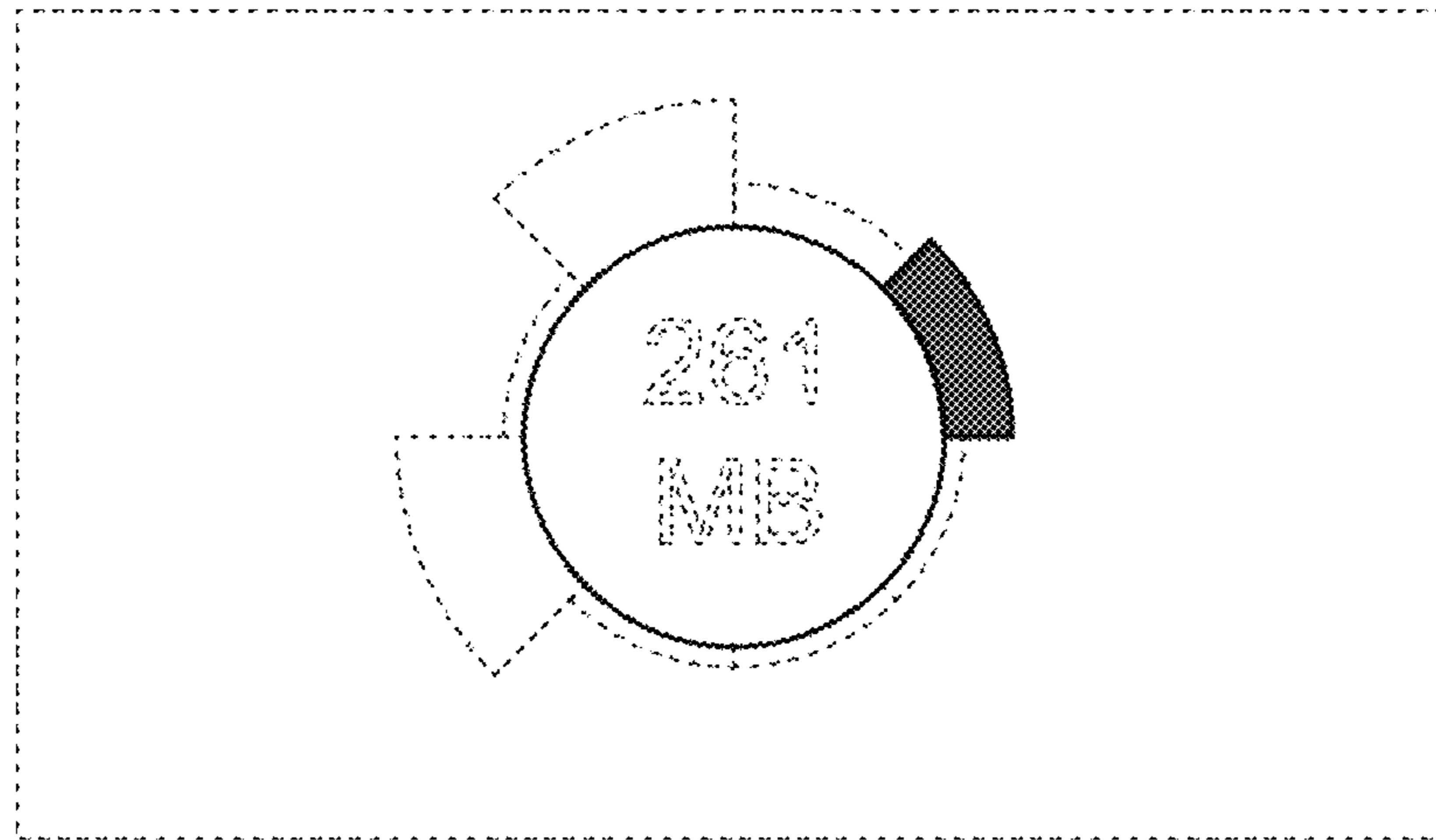


FIG. 4

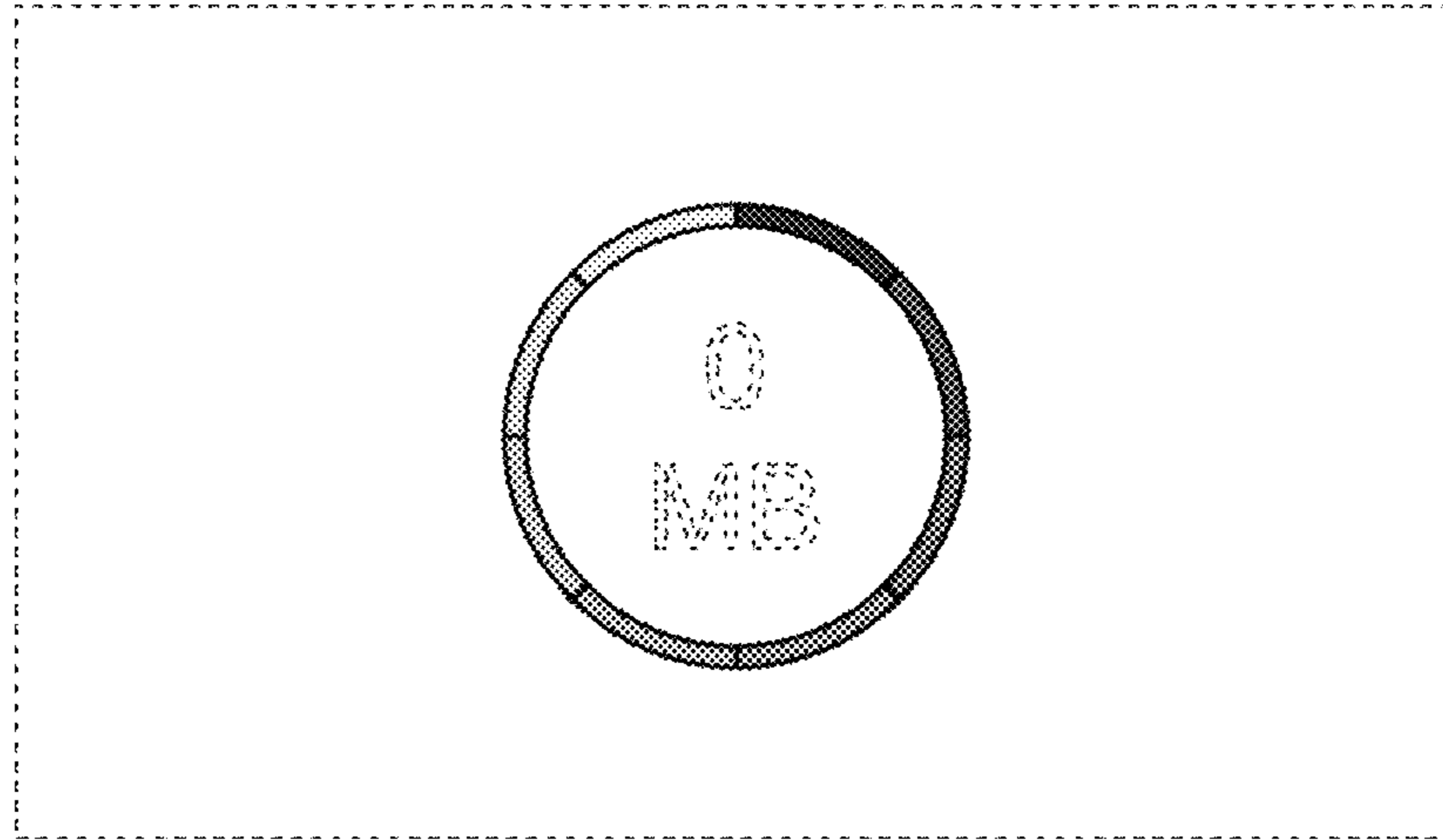


FIG. 5

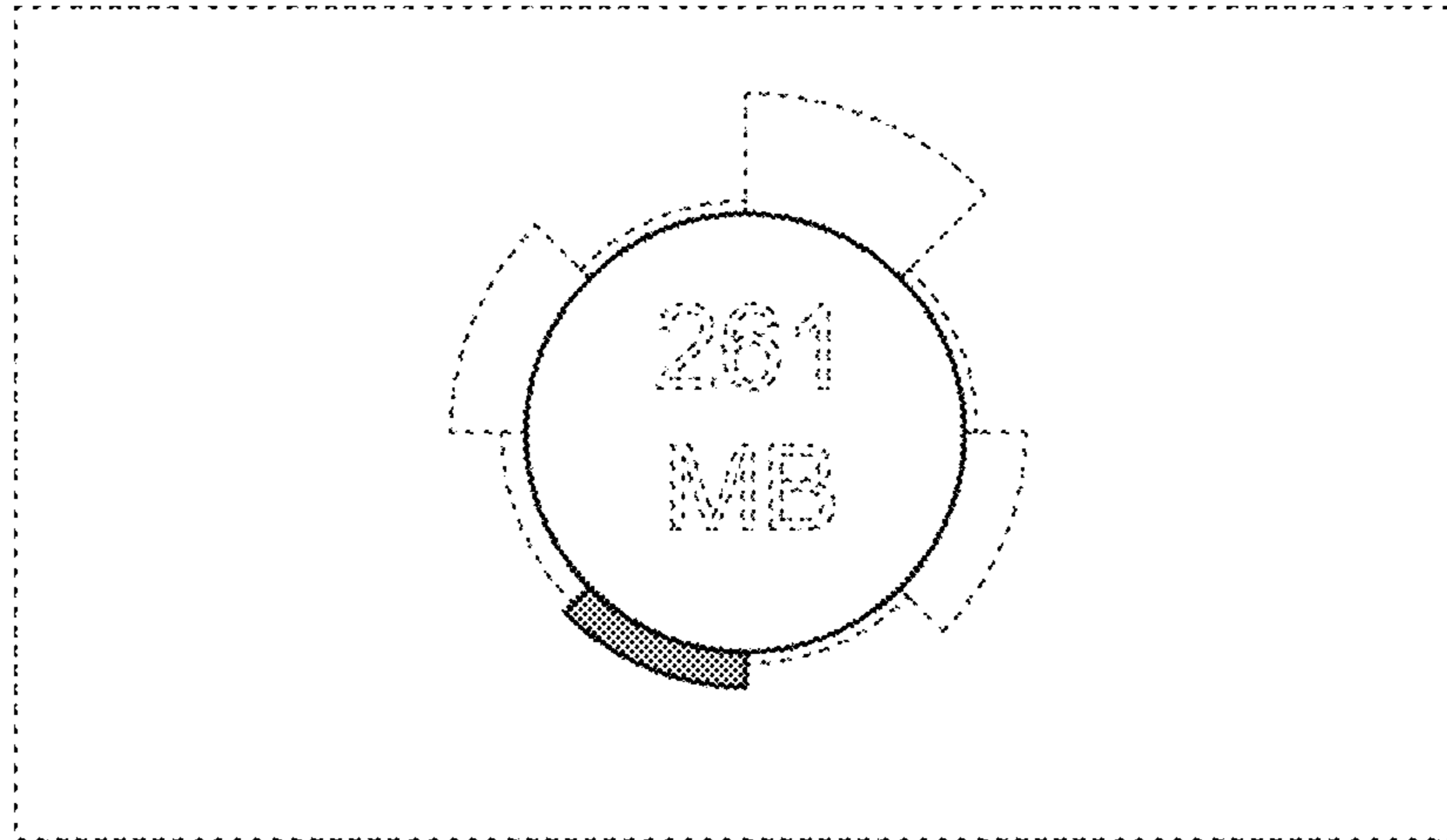


FIG. 6

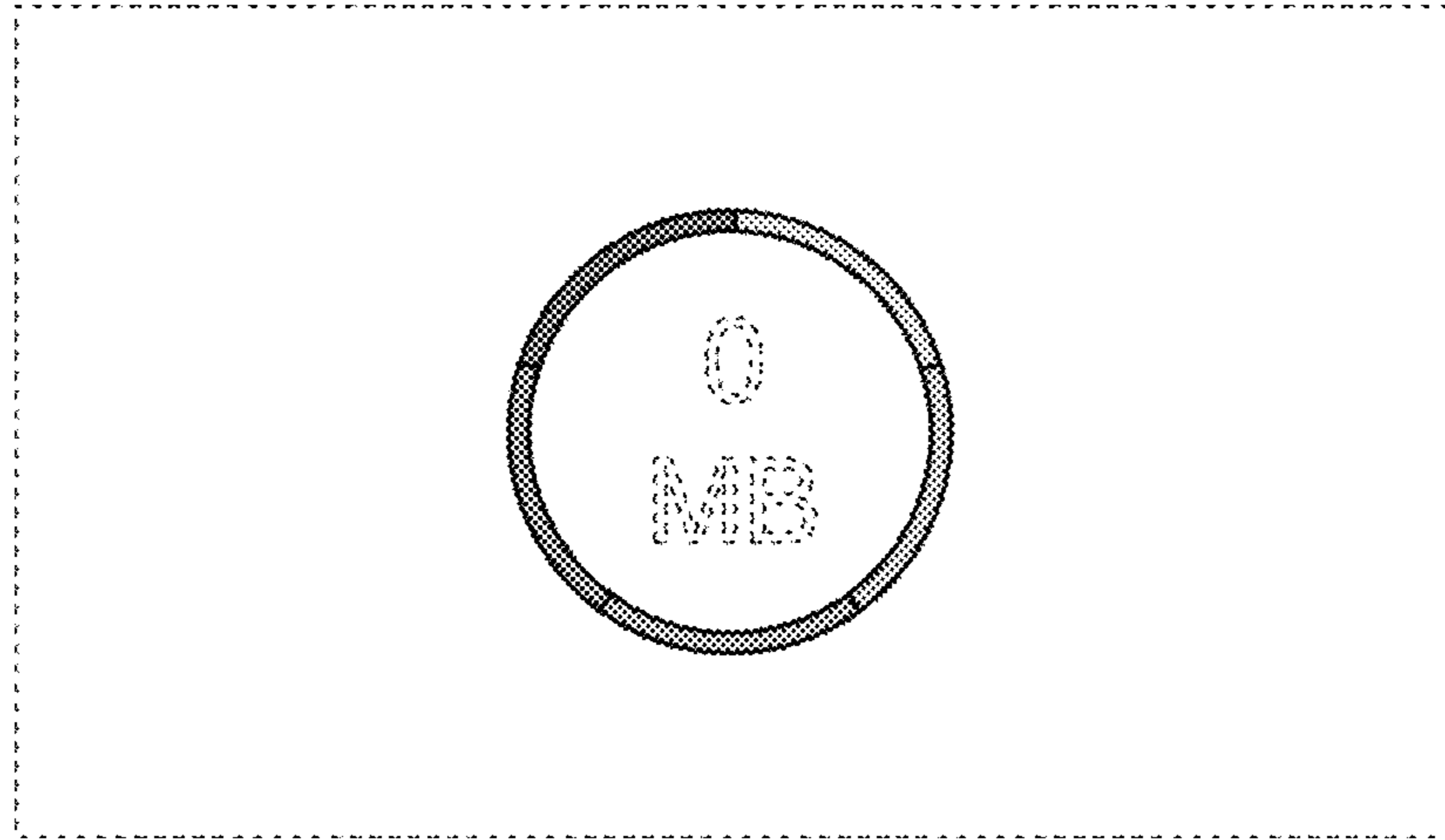


FIG. 7

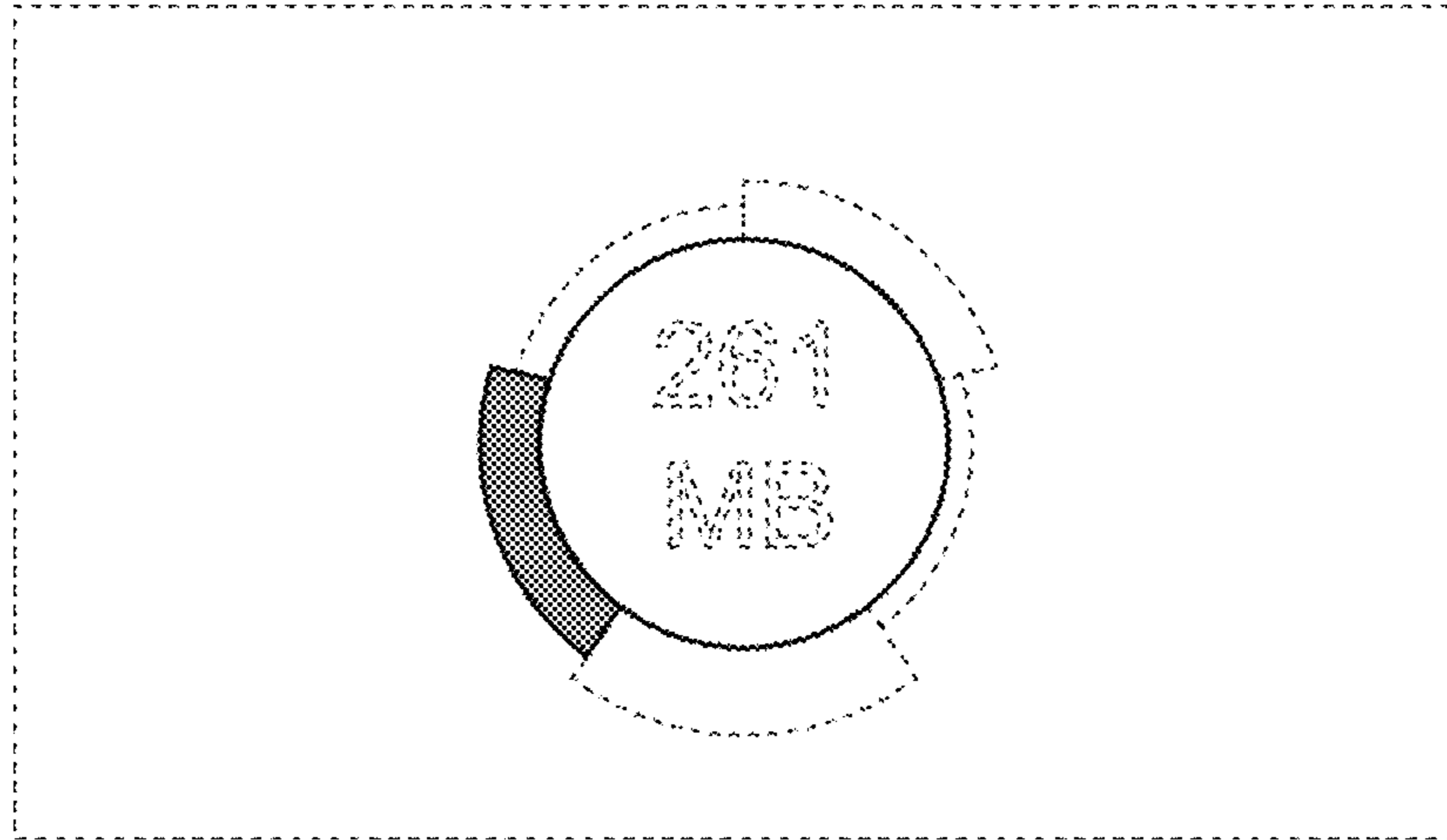


FIG. 8