

US00D779510S

(12) **United States Design Patent** (10) **Patent No.:** **US D779,510 S**
Li et al. (45) **Date of Patent:** **** Feb. 21, 2017**

(54) **DISPLAY SCREEN OR PORTION THEREOF WITH GRAPHICAL USER INTERFACE**

(71) Applicant: **ROYOLE CORPORATION**, Fremont, CA (US)

(72) Inventors: **Jinxin Li**, Fremont, CA (US); **Fan Yang**, Fremont, CA (US)

(73) Assignee: **ROYOLE CORPORATION**, Fremont, CA (US)

(**) Term: **15 Years**

(21) Appl. No.: **29/539,185**

(22) Filed: **Sep. 11, 2015**

(51) **LOC (10) Cl.** **14-04**

(52) **U.S. Cl.**
USPC **D14/485; D14/492**

(58) **Field of Classification Search**
USPC D14/485-495
CPC G06F 3/0481; G06F 3/04817; G06T 13/80; G06T 15/02; H04N 1/00424
See application file for complete search history.

(56) **References Cited**

U.S. PATENT DOCUMENTS

5,745,717	A *	4/1998	Vayda	G06F 3/0482
					715/834
D487,469	S *	3/2004	Glaser	D14/489
D684,185	S *	6/2013	van Dongen	D14/489
D697,076	S *	1/2014	Oda	D14/486
D698,363	S *	1/2014	Asai	D14/488
D701,226	S *	3/2014	Jung	D14/486
D701,520	S *	3/2014	Jung	D14/486
D701,869	S *	4/2014	Matas	D14/486
D702,718	S *	4/2014	Abratowski	D14/489
D706,791	S *	6/2014	Sassoon	D14/486
D706,806	S *	6/2014	Nishizawa	D14/488

D707,705	S *	6/2014	Folken	D14/490
D708,221	S *	7/2014	Danton	D14/492
D715,811	S *	10/2014	Tsukamoto	D14/485
D729,260	S *	5/2015	Ahn	D14/485
D735,754	S *	8/2015	Chaudhri	D14/488
D739,413	S *	9/2015	Shin	D14/485
D746,328	S *	12/2015	Kim	D14/489
D749,107	S *	2/2016	Amiya	D14/486
D753,678	S *	4/2016	Clarke	D14/485
D754,182	S *	4/2016	Kouthoofd	D14/487
D754,682	S *	4/2016	Lee	D14/485
D755,201	S *	5/2016	Kim	D14/485
D757,039	S *	5/2016	Yang	D14/485
D757,083	S *	5/2016	Avril	D14/486
D757,774	S *	5/2016	Iwamoto	D14/486
D758,406	S *	6/2016	Soldner	D14/486
D759,047	S *	6/2016	Comfort	D14/485
2008/0174570	A1 *	7/2008	Jobs	G06F 3/0488
					345/173

(Continued)

Primary Examiner — Mary Ann Calabrese

Assistant Examiner — Sloan Rozin

(74) *Attorney, Agent, or Firm* — Shimokaji IP

(57) **CLAIM**

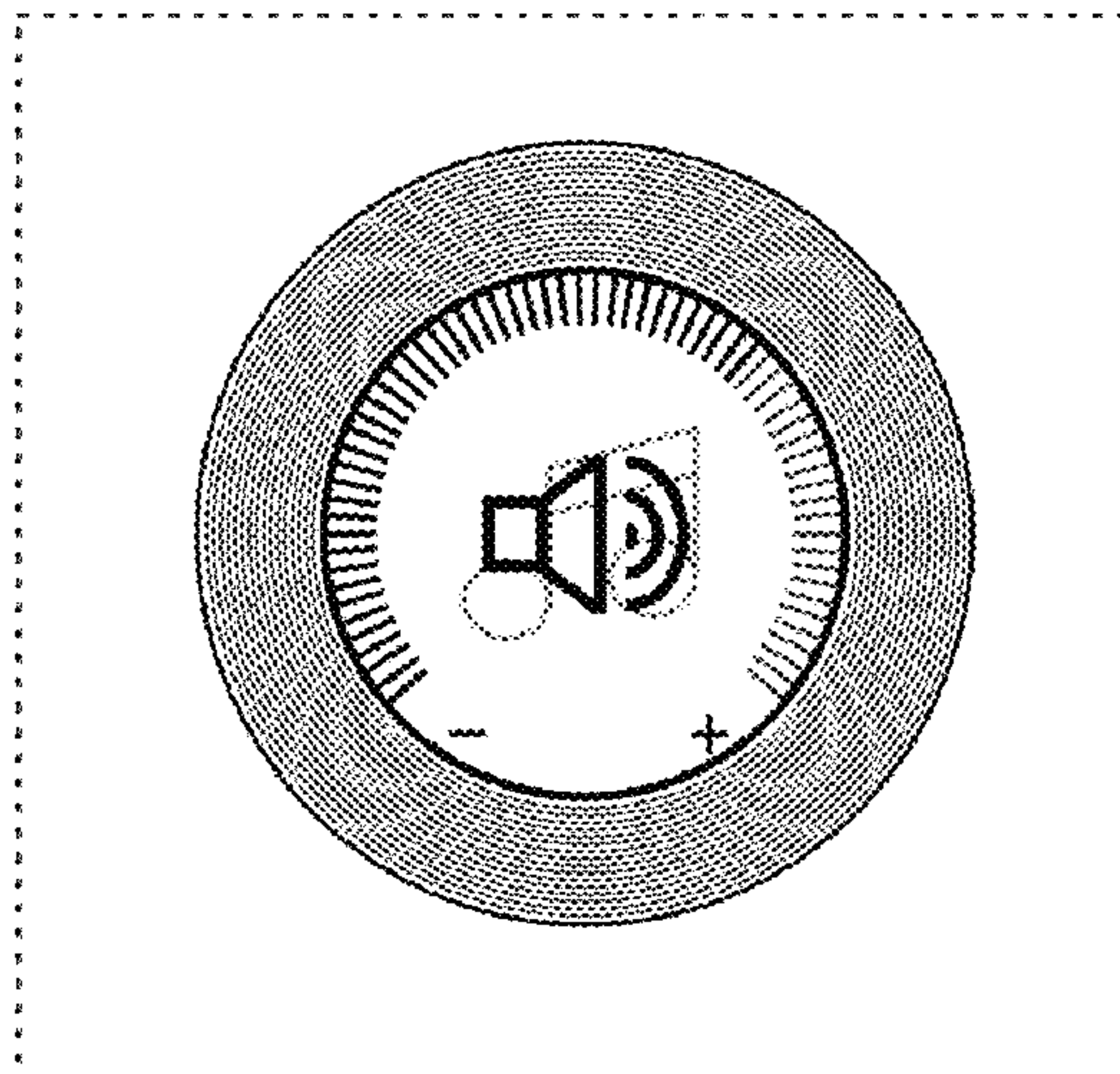
The ornamental design for a display screen or portion thereof with graphical user interface, as shown and described.

DESCRIPTION

The sole FIGURE is a front view of a display screen or portion thereof with graphical user interface showing my new design.

The broken line showing of the display screen is for the purpose of illustrating environment and forms no part of the claimed design. The broken line showing of elements on the display screen illustrate portions of the article and form no part of the claimed design.

1 Claim, 1 Drawing Sheet



(56)

References Cited

U.S. PATENT DOCUMENTS

2010/0287469 A1 * 11/2010 Wang G06F 1/1626
715/702

* cited by examiner

