



US00D779500S

(12) **United States Design Patent** (10) **Patent No.:** **US D779,500 S**
Miller et al. (45) **Date of Patent:** **** Feb. 21, 2017**

(54) **MONITOR RISER**
(71) Applicant: **Poppin, Inc.**, New York, NY (US)
(72) Inventors: **Jeffrey Frederick Miller**, New York, NY (US); **Matteo Bonacina**, New York, NY (US); **Adrian Gomez**, Edgewater, NJ (US); **Justin Daniel Dollinger**, New York, NY (US); **Francesca Pezze**, Brooklyn, NY (US)

D448,585 S * 10/2001 Petri D6/652
D485,094 S * 1/2004 Chang D6/690
D539,569 S * 4/2007 Lewis D6/406.6
D573,364 S * 7/2008 Johnson D12/133
D591,090 S * 4/2009 Judkins D6/691.8
D651,651 S * 1/2012 Beukema D13/139.1
D668,893 S * 10/2012 Lehman-Smith D6/708
D694,557 S * 12/2013 Rodgers D6/675
D731,217 S * 6/2015 Versace D6/691
D761,369 S * 7/2016 Elsea D21/782
D765,450 S * 9/2016 Biddle D6/691

(73) Assignee: **POPPIN, INC.**, New York, NY (US)

* cited by examiner

(**) Term: **15 Years**

Primary Examiner — Kelley Donnelly

(74) *Attorney, Agent, or Firm* — K&L Gates LLP

(21) Appl. No.: **29/534,786**

(57) **CLAIM**

(22) Filed: **Jul. 31, 2015**

The ornamental design for a monitor riser, as shown and described.

(51) **LOC (10) Cl.** **08-07**

(52) **U.S. Cl.**
USPC **D14/451**

DESCRIPTION

(58) **Field of Classification Search**
USPC D6/630, 675, 675.1, 652, 690, 691,
D6/691.8, 708; D14/448, 451
CPC A47B 96/02; A47B 96/021; A47F 5/0807;
A47F 5/0876; A47F 5/10
See application file for complete search history.

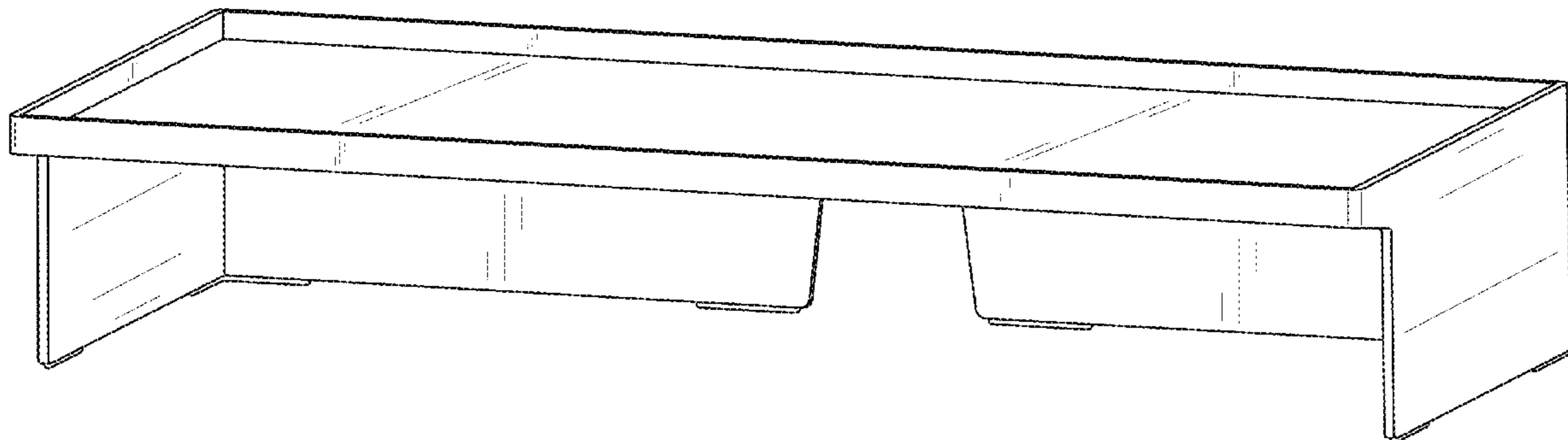
FIG. 1 illustrates a front perspective view of a monitor riser;
FIG. 2 illustrates a front elevation view thereof;
FIG. 3 illustrates a back elevation view thereof;
FIG. 4 illustrates a side elevation view thereof;
FIG. 5 illustrates a side elevation view thereof;
FIG. 6 illustrates a top plan view thereof;
FIG. 7 illustrates a bottom plan view thereof;
FIG. 8 illustrates a bottom perspective view; and,
FIG. 9 illustrates a cross-section view along line 9-9
depicted in FIG. 6.

(56) **References Cited**

U.S. PATENT DOCUMENTS

D303,190 S * 9/1989 Suttles D6/699.5
D394,365 S * 5/1998 St.-Pierre D6/571

1 Claim, 8 Drawing Sheets



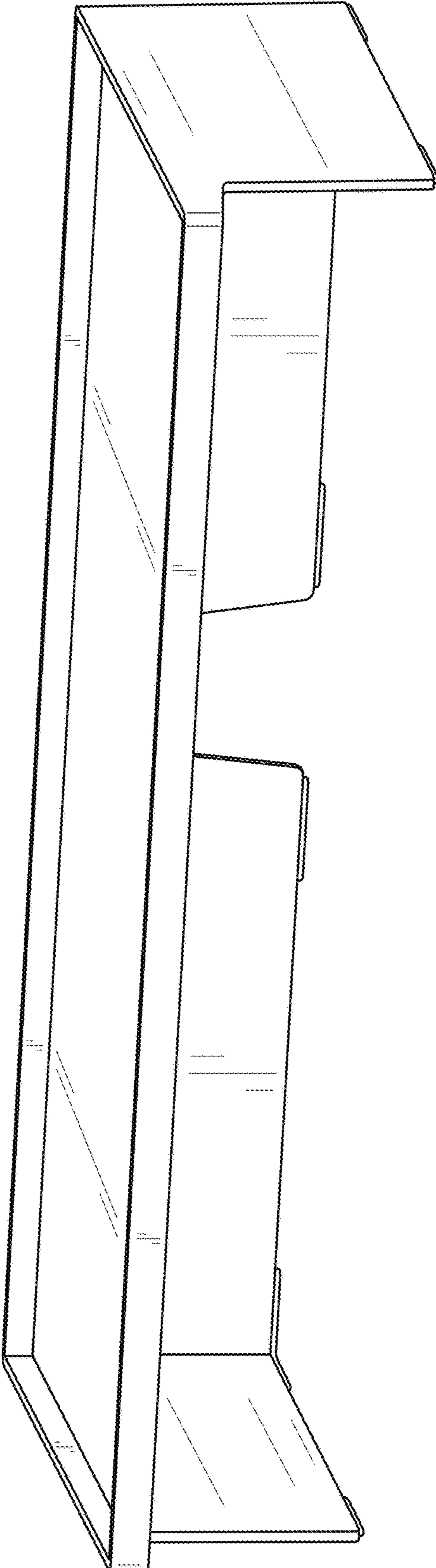


FIG. 1

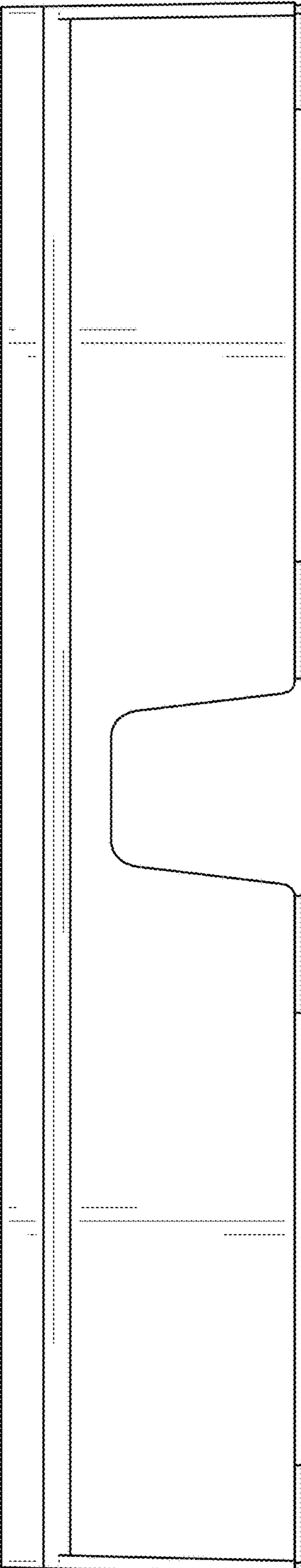


FIG. 2

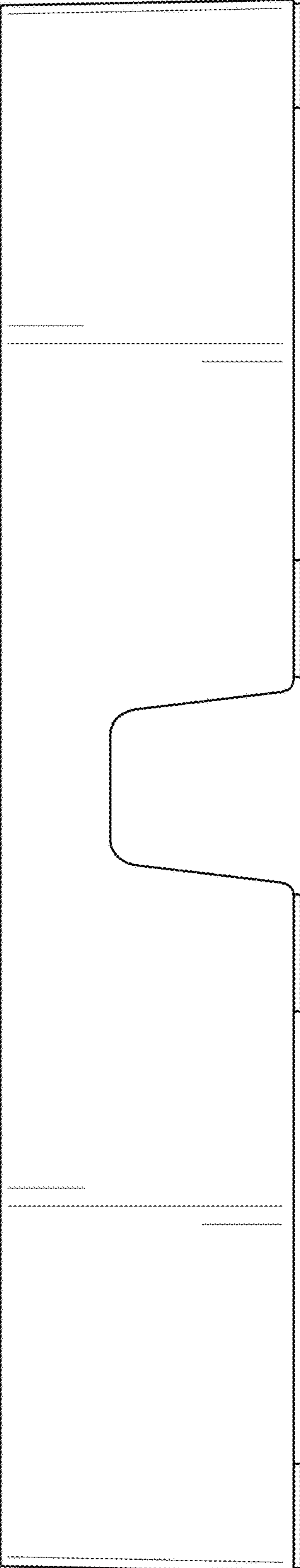


FIG. 3

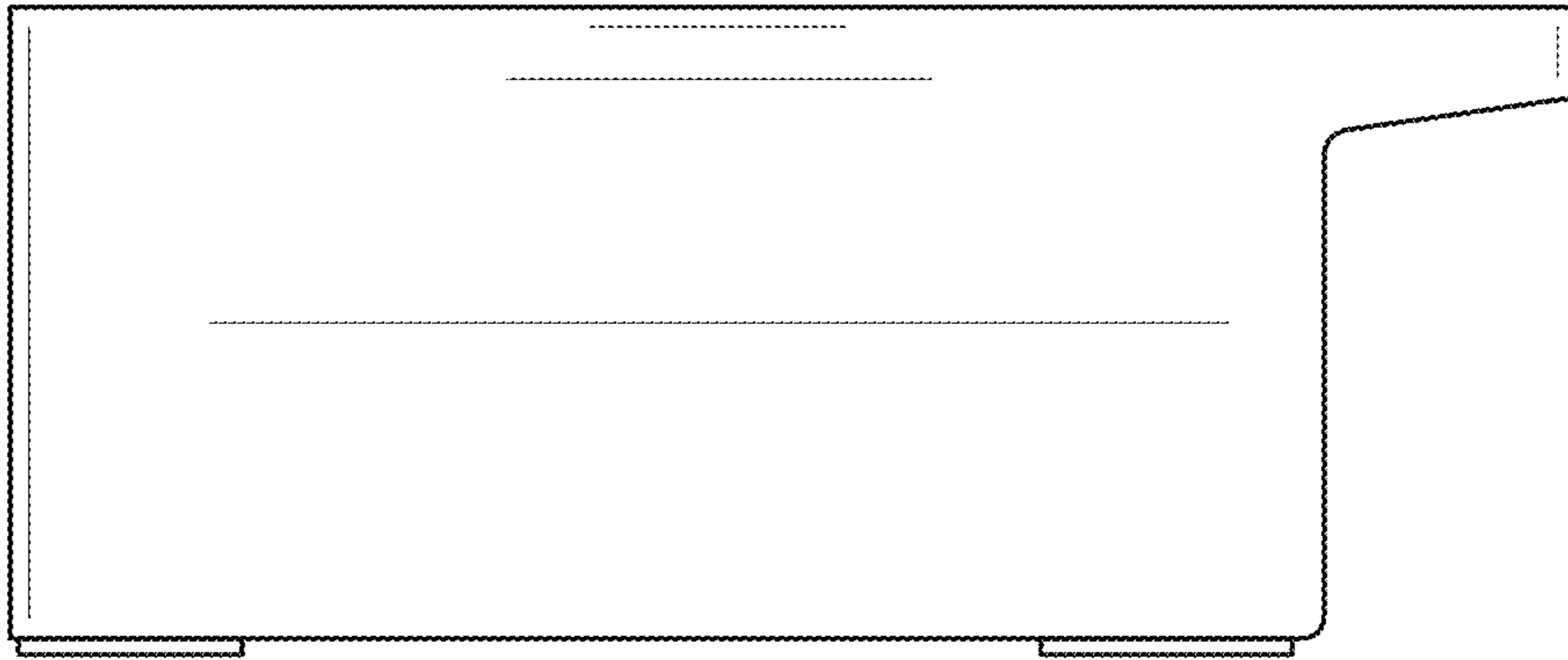


FIG. 4

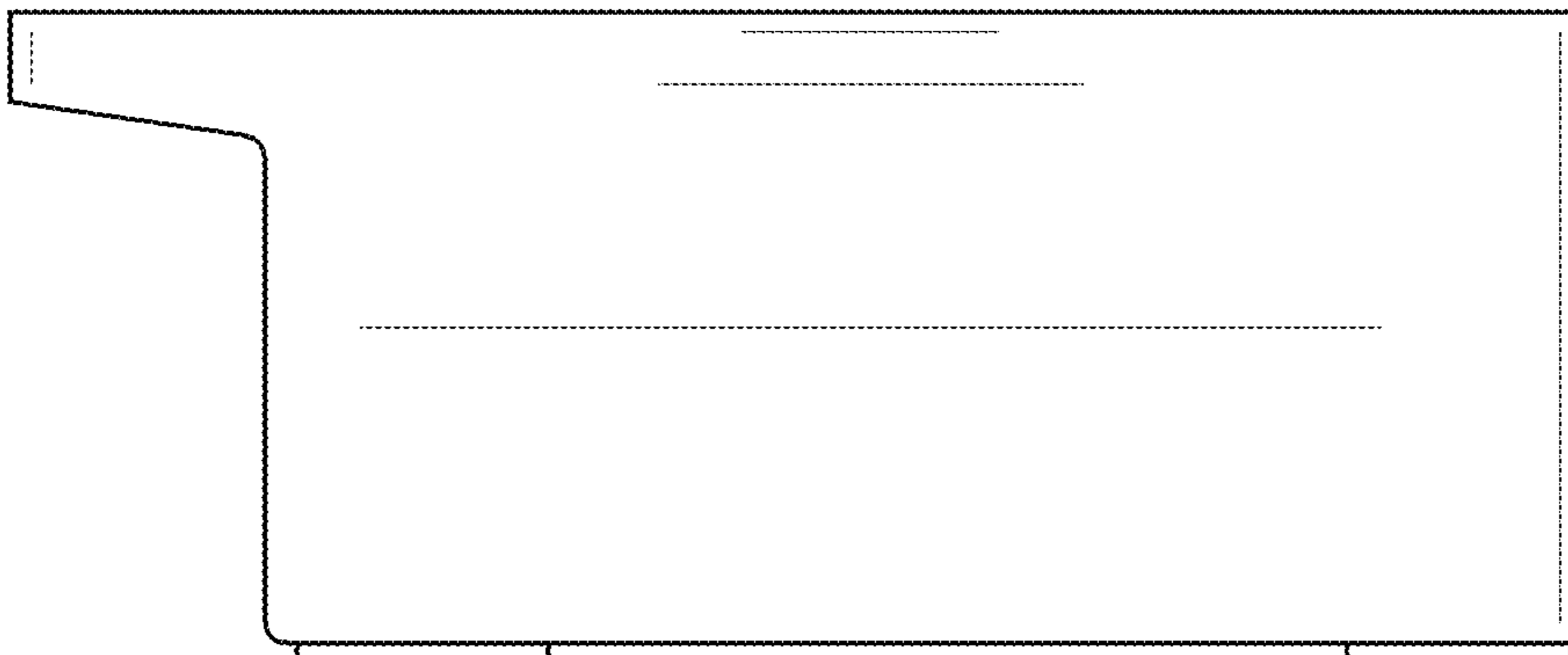


FIG. 5

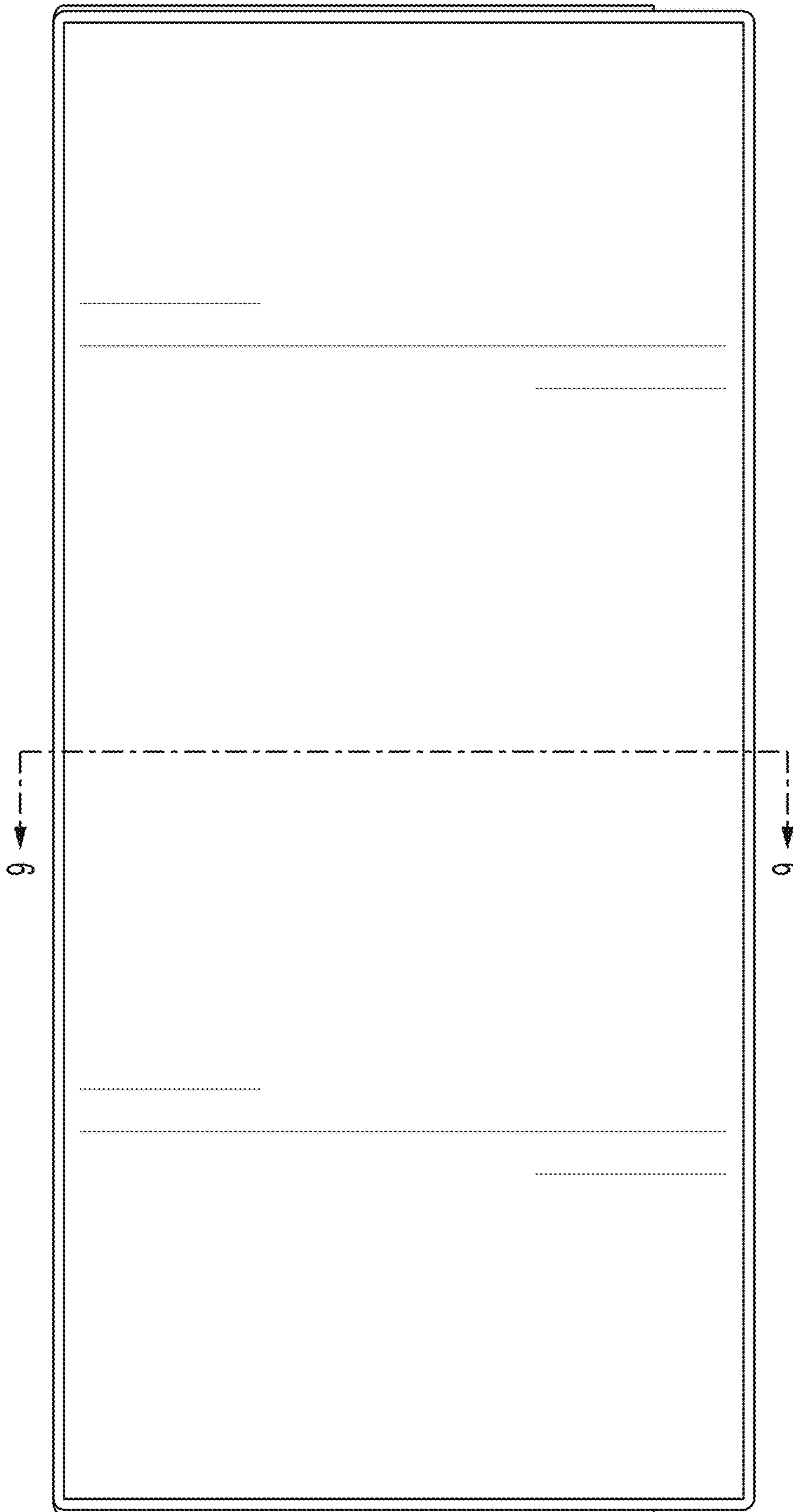


FIG. 6

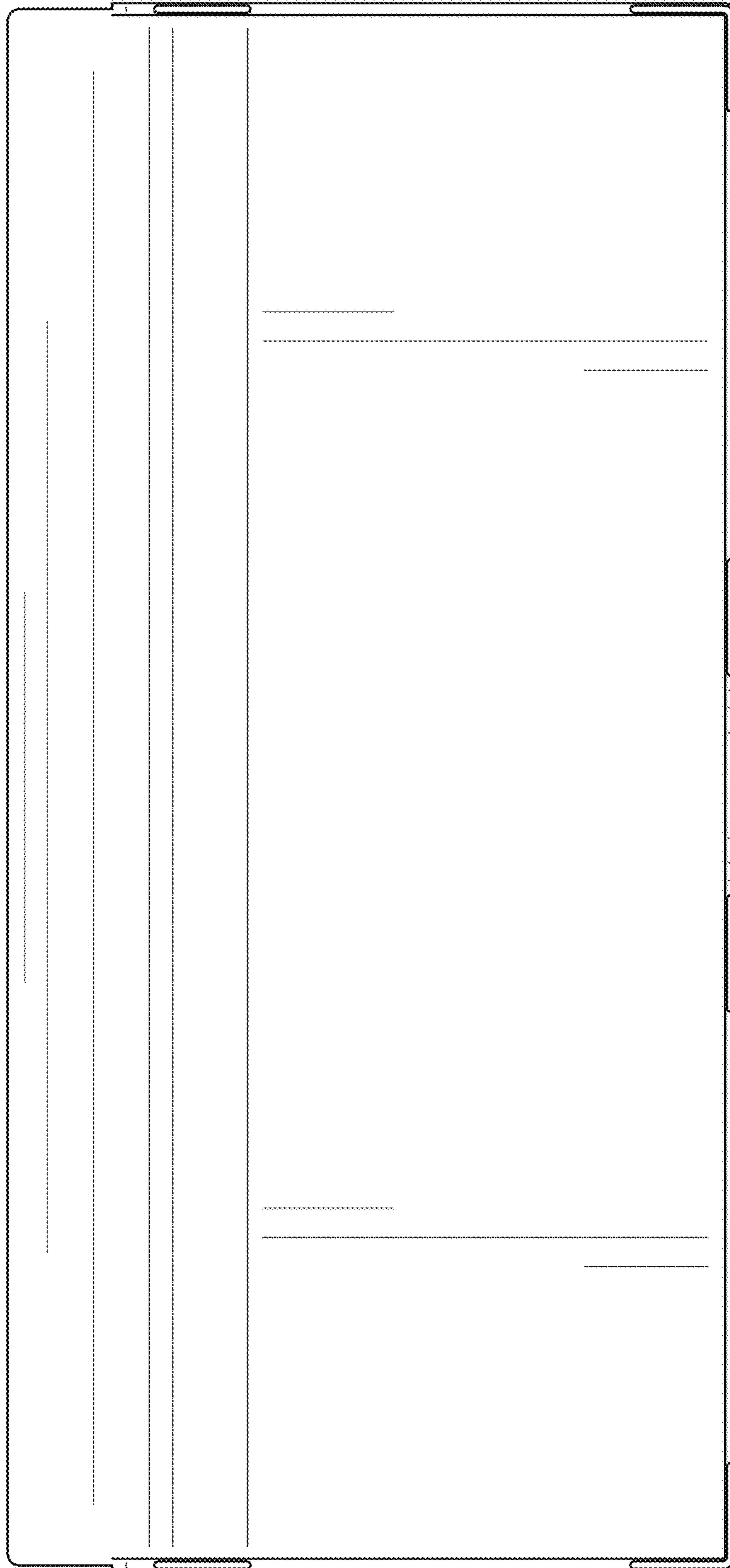


FIG. 7

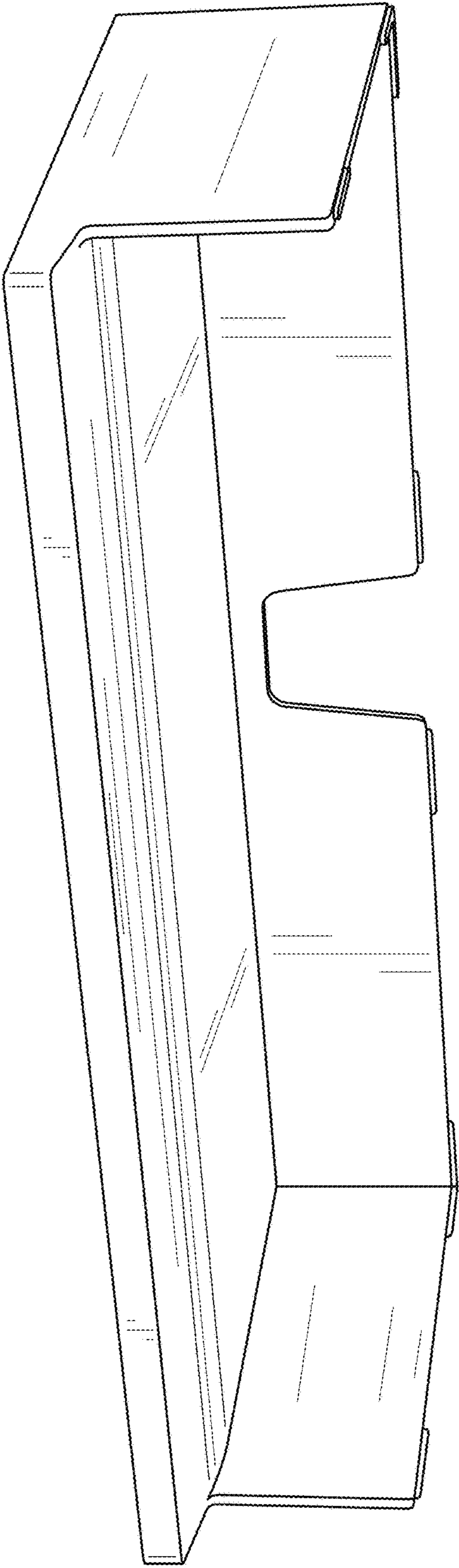


FIG. 8

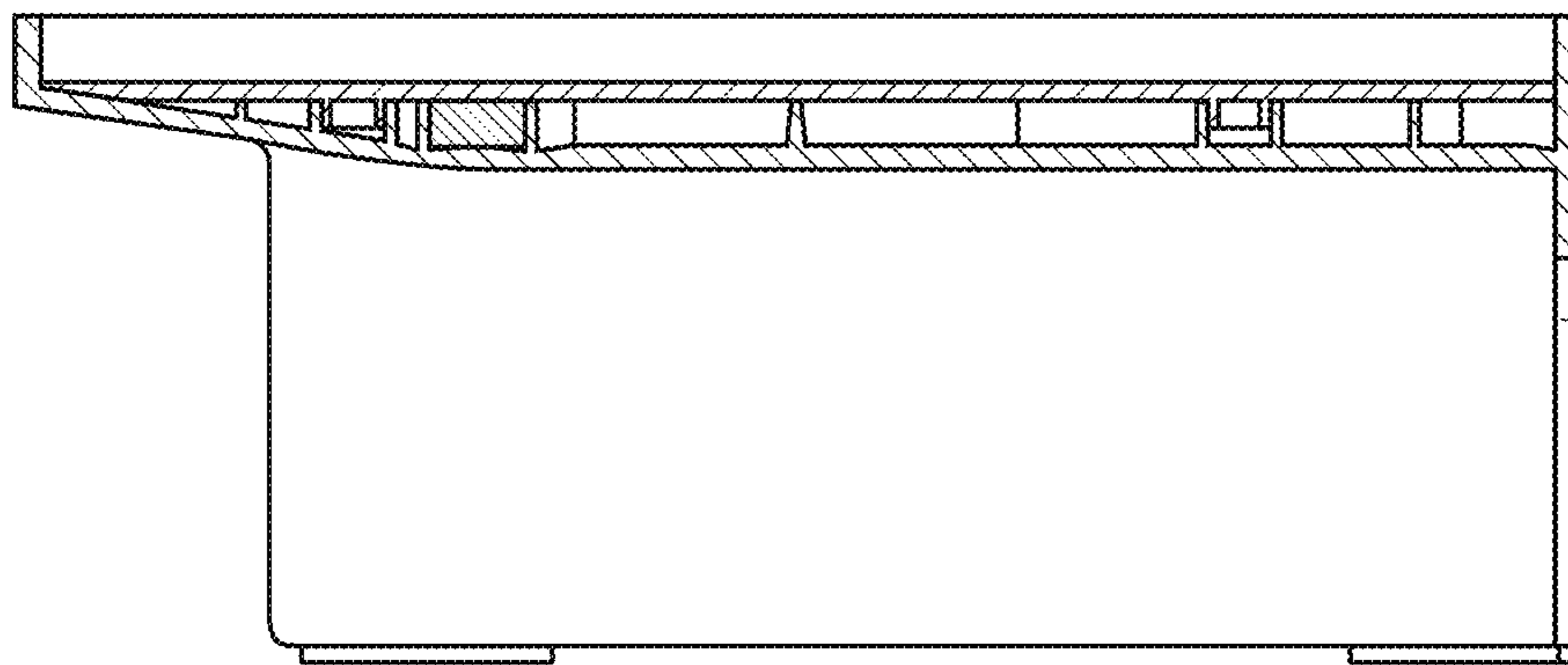


FIG. 9