



US00D779499S

(12) **United States Design Patent**
Qian et al.

(10) **Patent No.:** **US D779,499 S**

(45) **Date of Patent:** **** Feb. 21, 2017**

(54) **MONITOR RACK**

2200/08; F16M 11/2021; A47B 21/0314;
A47B 88/044; A47B 2021/0335; H02G
3/126; F16B 47/00; F16B 47/006; A47G
1/17; A47K 2201/00

(71) Applicant: **MAQUET(Suzhou)Co., Ltd**, Suzhou
(CN)

See application file for complete search history.

(72) Inventors: **Xiaoming Qian**, Suzhou (CN); **Yun
Zhang**, Suzhou (CN); **Qingxue Li**,
Suzhou (CN); **Qunhua Li**, Suzhou
(CN); **Ming Ji**, Suzhou (CN)

(56) **References Cited**

U.S. PATENT DOCUMENTS

(73) Assignee: **Maquet (Suzhou) Co., Ltd.**, Suzhou
(CN)

D469,438 S * 1/2003 Corrales D14/432
6,944,897 B2 * 9/2005 Koch A61G 13/101
248/316.1
D575,294 S * 8/2008 Stenhouse D14/451
D576,632 S * 9/2008 Stenhouse D14/451
D593,080 S * 5/2009 Russell D14/239

(**) Term: **14 Years**

(Continued)

(21) Appl. No.: **29/476,798**

Primary Examiner — Garth Rademaker

(22) Filed: **Dec. 17, 2013**

Assistant Examiner — Katie Stofko Mroczka

(51) **LOC (10) Cl.** **08-07**

(52) **U.S. Cl.**
USPC **D14/451**

(57) **CLAIM**

(58) **Field of Classification Search**

The ornamental design for a monitor rack, as shown and described.

USPC D14/371–382, 125–129, 336, 337,
D14/447–452, 492, 335, 239, 457,
D14/439–441, 432, 251–253; D8/349,
D8/354, 363, 373, 376, 380; D21/333;
D12/415; D3/218; 348/180, 184, 325,
348/739, 825

DESCRIPTION

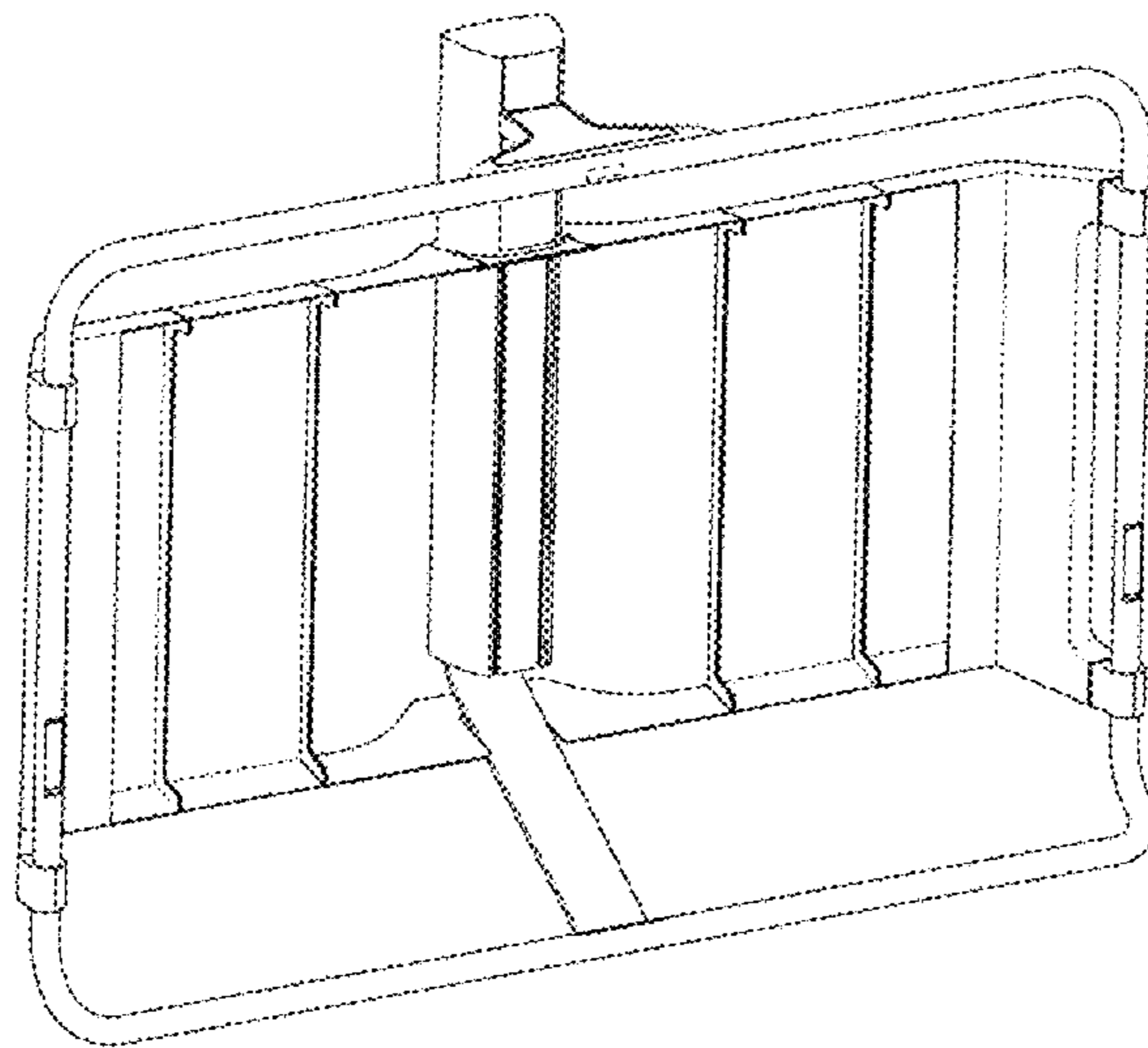
CPC G06F 3/0412; G06F 3/016; G06F 3/0488;
G06F 3/011; G06F 3/038; G06F 3/03543;
G06F 3/0338; G06F 3/0202; G06F
3/0219; G06F 3/0213; G06F 1/1616;
G06F 3/023; G06F 3/04883; G02F
1/13338; G02F 1/1313; G02F 1/1333;
G02F 1/135; G02F 1/132; G02F
1/133308; G02F 1/134309; G02F
1/13718; G09G 3/3648; G06K 15/1252;
B41J 2/465; G03F 7/70291; G02B
27/0172; G02B 5/30; G02B 2027/0118;
G02B 27/0101; F16M 13/02; F16M
13/00; F16M 11/10; F16M 11/04; F16M

FIG. 1 is a perspective view of a monitor rack in accordance with the present invention;
FIG. 2 is another perspective view of the monitor rack in accordance with the present invention;
FIG. 3 is a front view of the monitor rack;
FIG. 4 is a rear view of the monitor rack;
FIG. 5 is a left view of the monitor rack;
FIG. 6 is a right view of the monitor rack;
FIG. 7 is a top view of the monitor rack; and,
FIG. 8 is a bottom view of the monitor rack.

The monitor rack can be used for mounting and holding one medical monitor.

The broken lines in FIGS. 1 and 3 illustrate portions of the monitor rack that form no part of the claimed design.

1 Claim, 4 Drawing Sheets



(56)

References Cited

U.S. PATENT DOCUMENTS

D634,309 S *	3/2011	Bendien	D14/239
D651,214 S *	12/2011	Yoo	D14/448
D676,855 S *	2/2013	Yoo	D14/448
D677,263 S *	3/2013	Luijben	D14/451
D703,213 S *	4/2014	Gifford	D14/447
D703,641 S *	4/2014	Xiang	D14/239
9,091,386 B2 *	7/2015	Bentz	G06F 1/1632
2003/0173242 A1 *	9/2003	Fisher, Jr.	G06F 1/1626 206/320

* cited by examiner

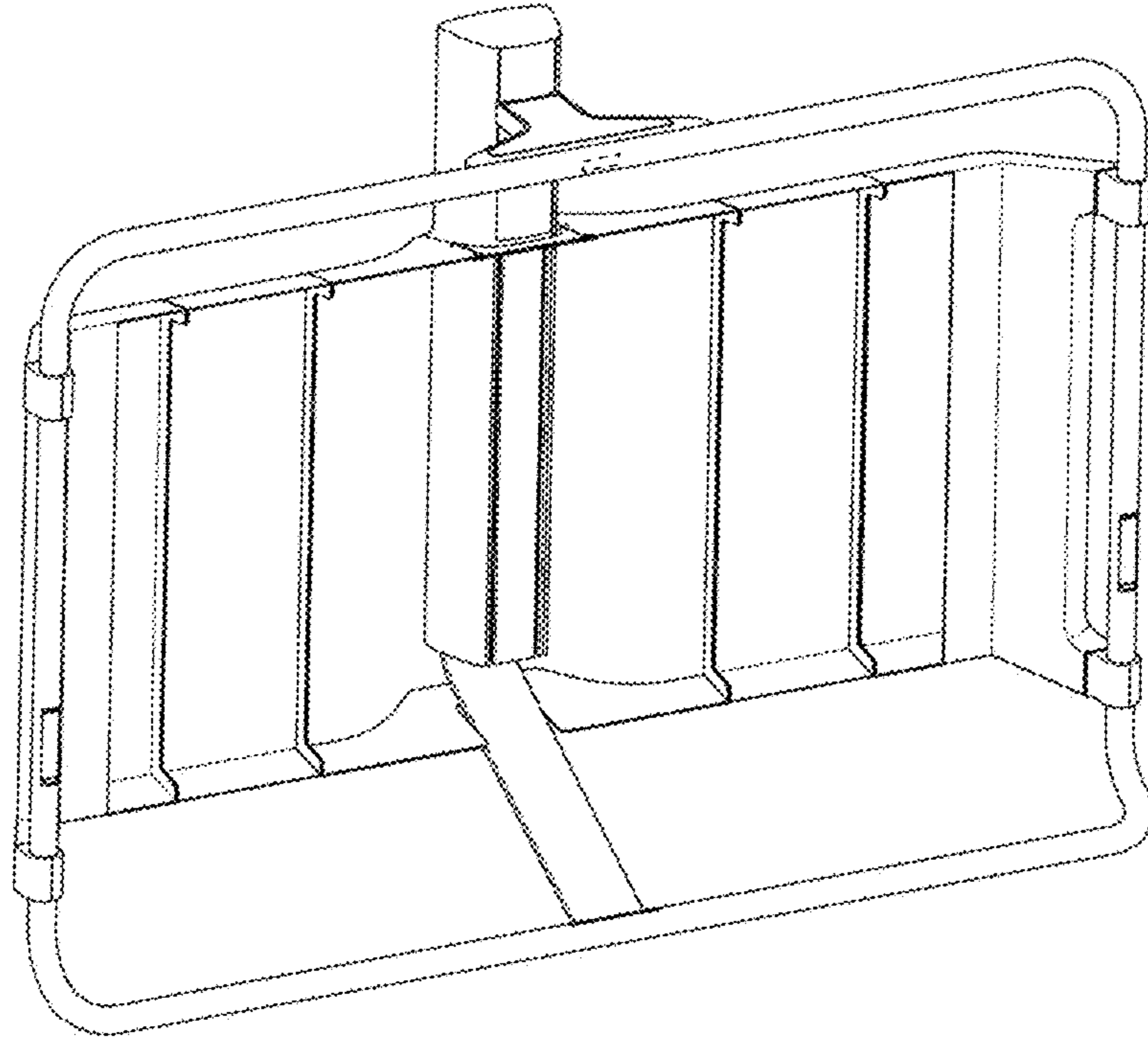


FIG. 1

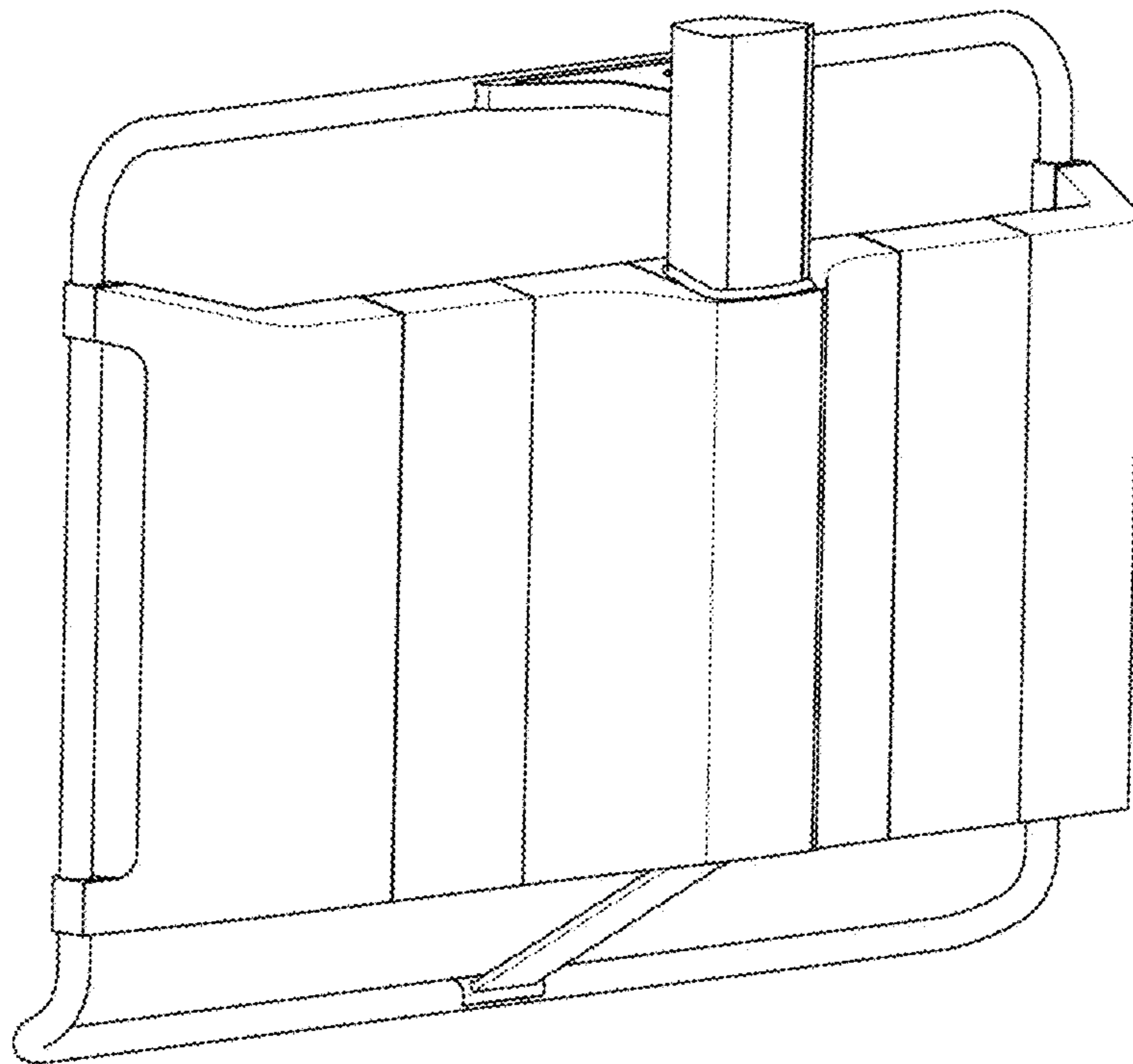


FIG. 2

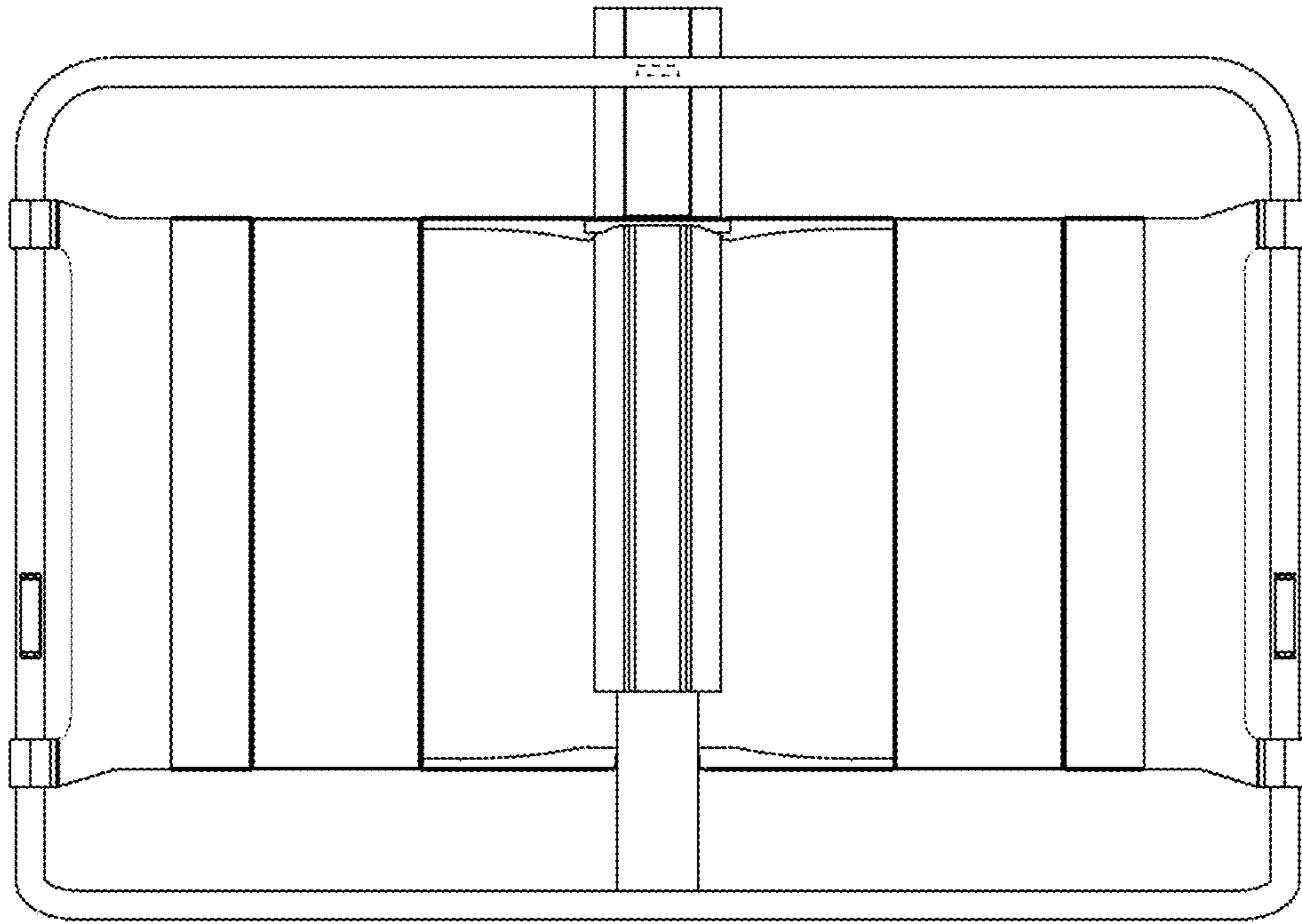


FIG. 3

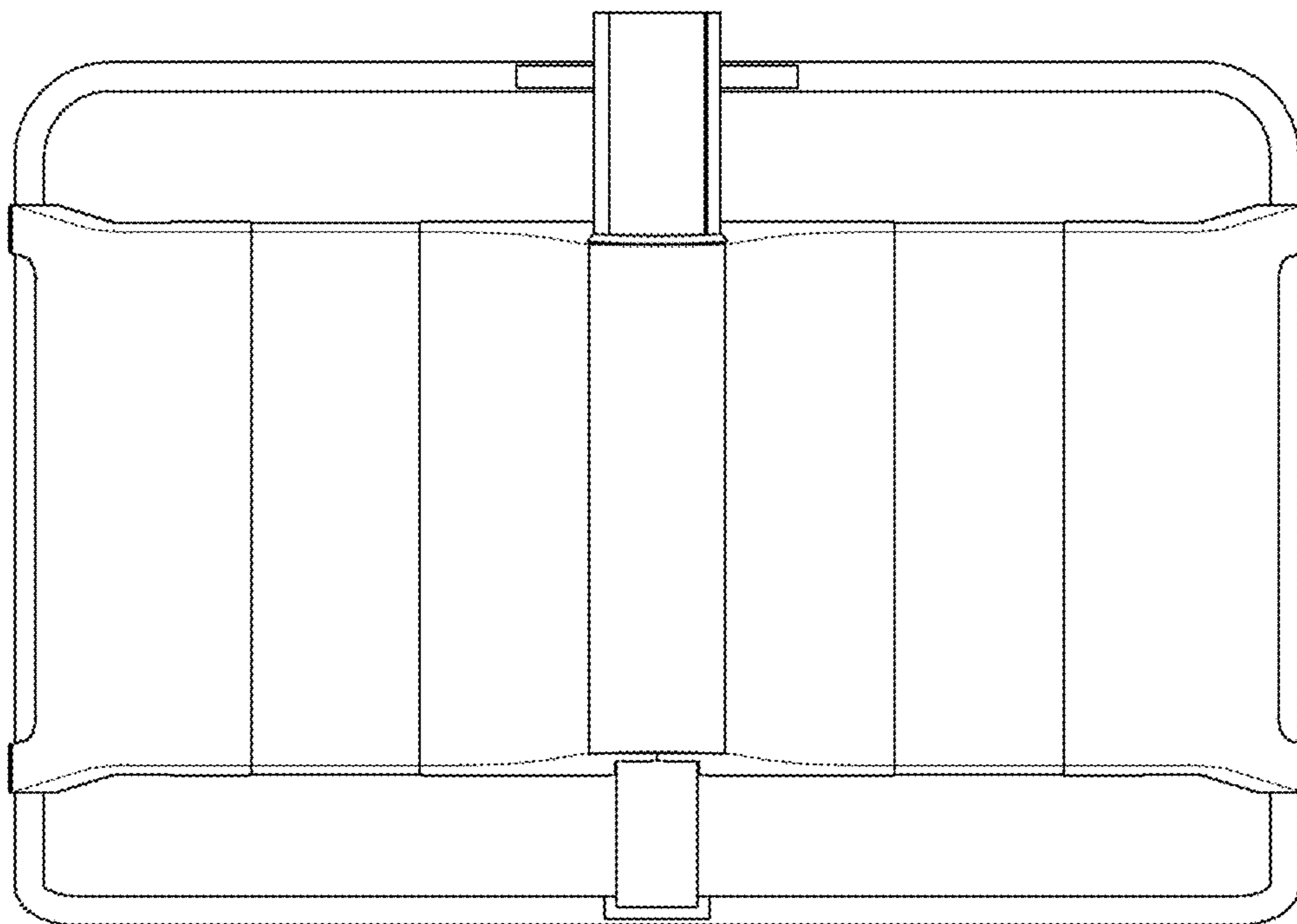


FIG. 4

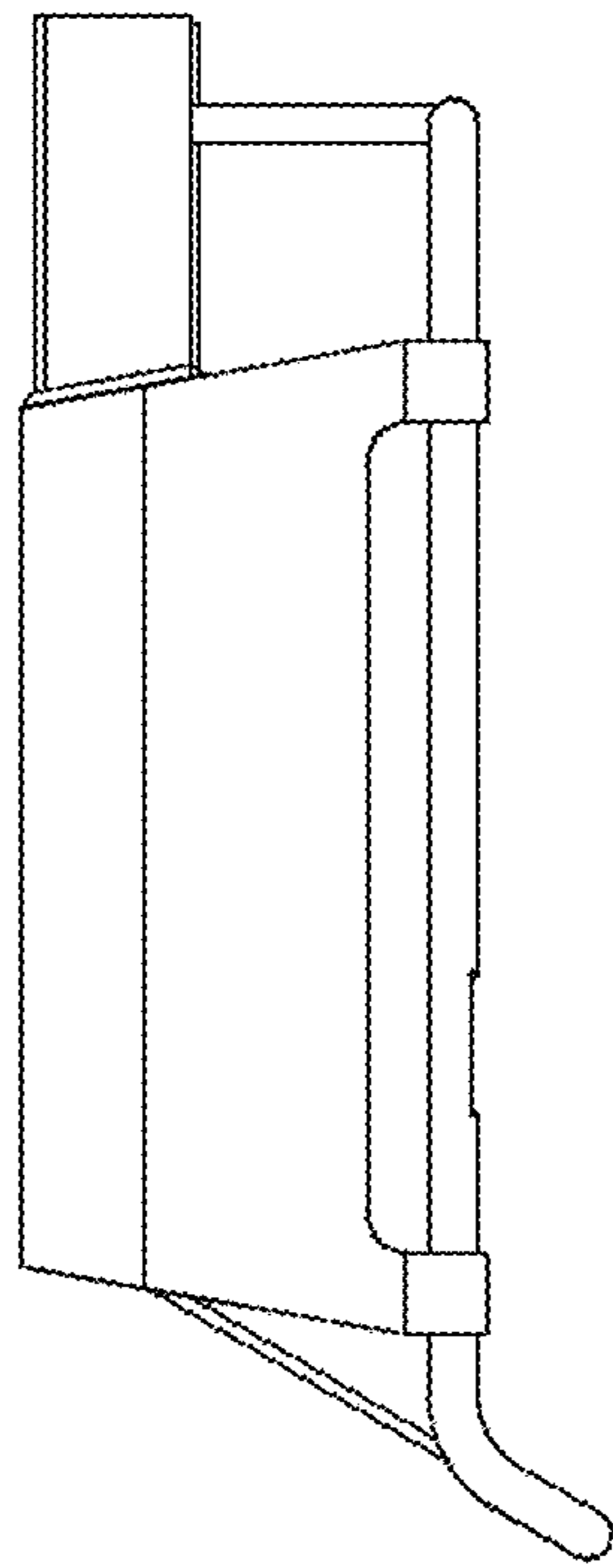


FIG. 5

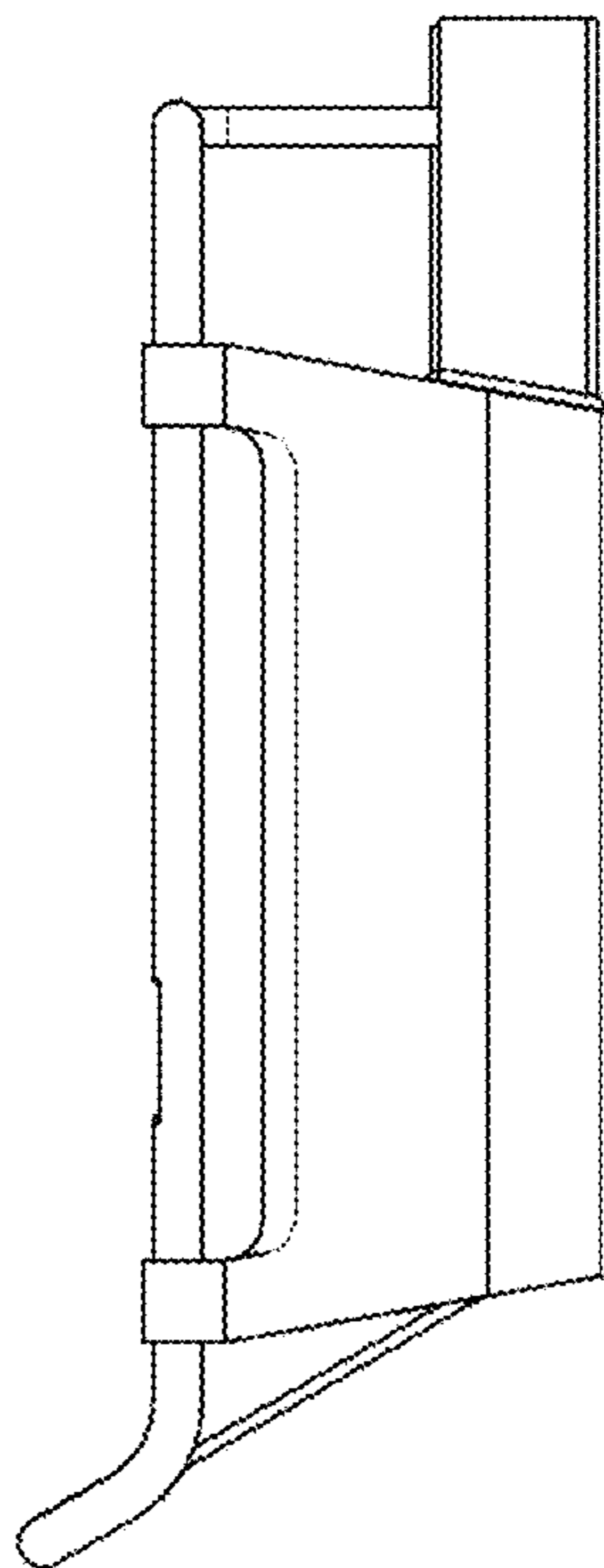


FIG. 6

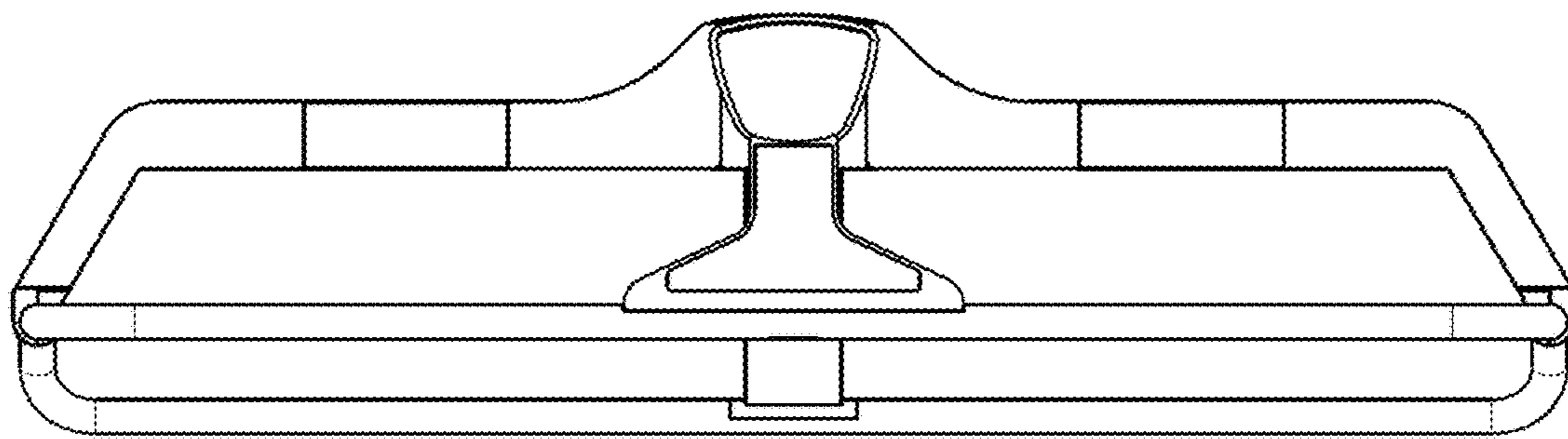


FIG. 7

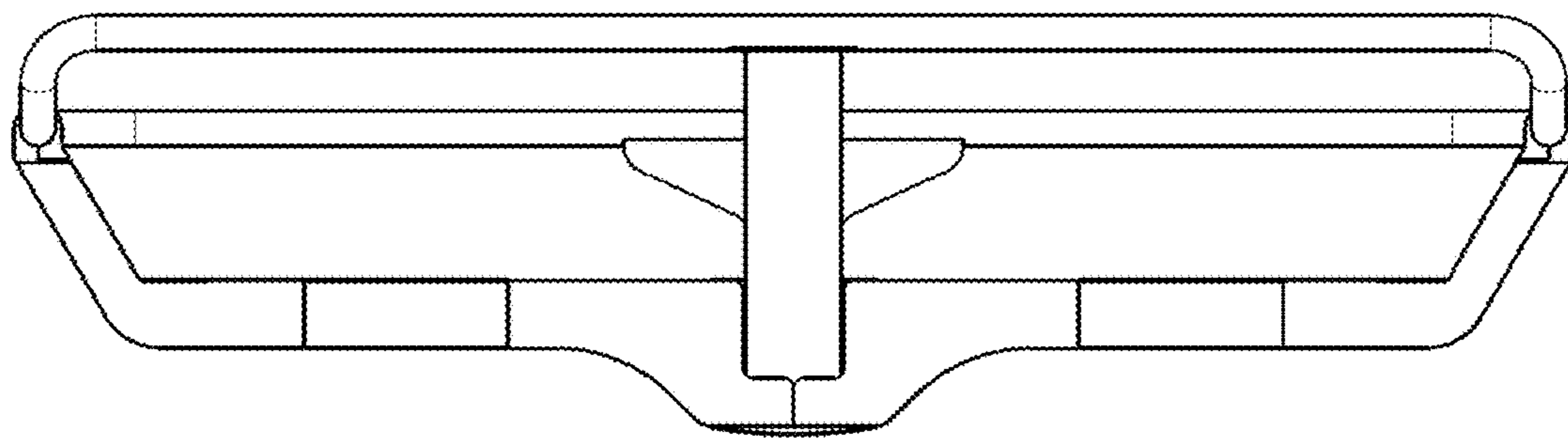


FIG. 8