

US00D779498S

(12) **United States Design Patent** (10) **Patent No.:** **US D779,498 S**  
**Moon et al.** (45) **Date of Patent:** **\*\* Feb. 21, 2017**

(54) **DISPLAY DEVICE FRAME**

(71) Applicant: **Samsung Electronics Co., Ltd.**,  
Suwon-si (KR)

(72) Inventors: **Sin-Wi Moon**, Seogwipo-Si (KR);  
**Kyoung-Hoon Kim**, Sungnam-Si (KR)

(73) Assignee: **Samsung Electronics Co., Ltd.**,  
Suwon-si (KR)

(\*\*) Term: **14 Years**

(21) Appl. No.: **29/459,837**

(22) Filed: **Jul. 3, 2013**

(30) **Foreign Application Priority Data**

Jan. 4, 2013 (KR) ..... 30-2013-0000635

(51) **LOC (10) Cl.** ..... **14-02**

(52) **U.S. Cl.**  
USPC ..... **D14/448**

(58) **Field of Classification Search**  
USPC ..... D14/371-375, 125-129, 336, 337,  
D14/448, 451, 452, 492, 376-382, 450,  
D14/239; 341/12; D6/300, 311-313, 308,  
D6/708, 310; 348/180, 184, 325, 739;  
D19/2; 361/679.05-679.07, 679.21  
CPC ..... G06F 3/0412; G06F 3/016; G06F 3/0488;  
G06F 3/011; G06F 3/038; G06F 3/03543;  
G06F 3/0338; G06F 3/0202; G06F  
3/0219; G06F 3/0213; G06F  
1/1616; G06F 3/023; G06F  
3/04883; G02F 1/13338; G02F 1/1313;  
G02F 1/1333; G02F 1/135; G02F 1/132;  
G02F 1/133308; G02F 1/134309; G02F  
1/13718; G09G 3/3648; G06K 15/1252;  
B41J 2/465; G03F 7/70291; G02B  
27/0172; G02B 5/30; F16M 13/02; F16M  
13/00; F16M 11/10; F16M 11/04; F16M  
2200/08; F16M 11/2021; A47B 21/0314;  
A47B 88/044; A47B 2021/0335; H02G  
3/126;

(Continued)

(56) **References Cited**

U.S. PATENT DOCUMENTS

D31,165 S \* 7/1899 Stiles ..... D6/300  
899,329 A \* 9/1908 Sborigi ..... 40/765  
3,030,057 A \* 4/1962 Wright ..... 248/470

(Continued)

*Primary Examiner* — Garth Rademaker  
*Assistant Examiner* — Katie Stofko Mroczka  
(74) *Attorney, Agent, or Firm* — NSIP Law

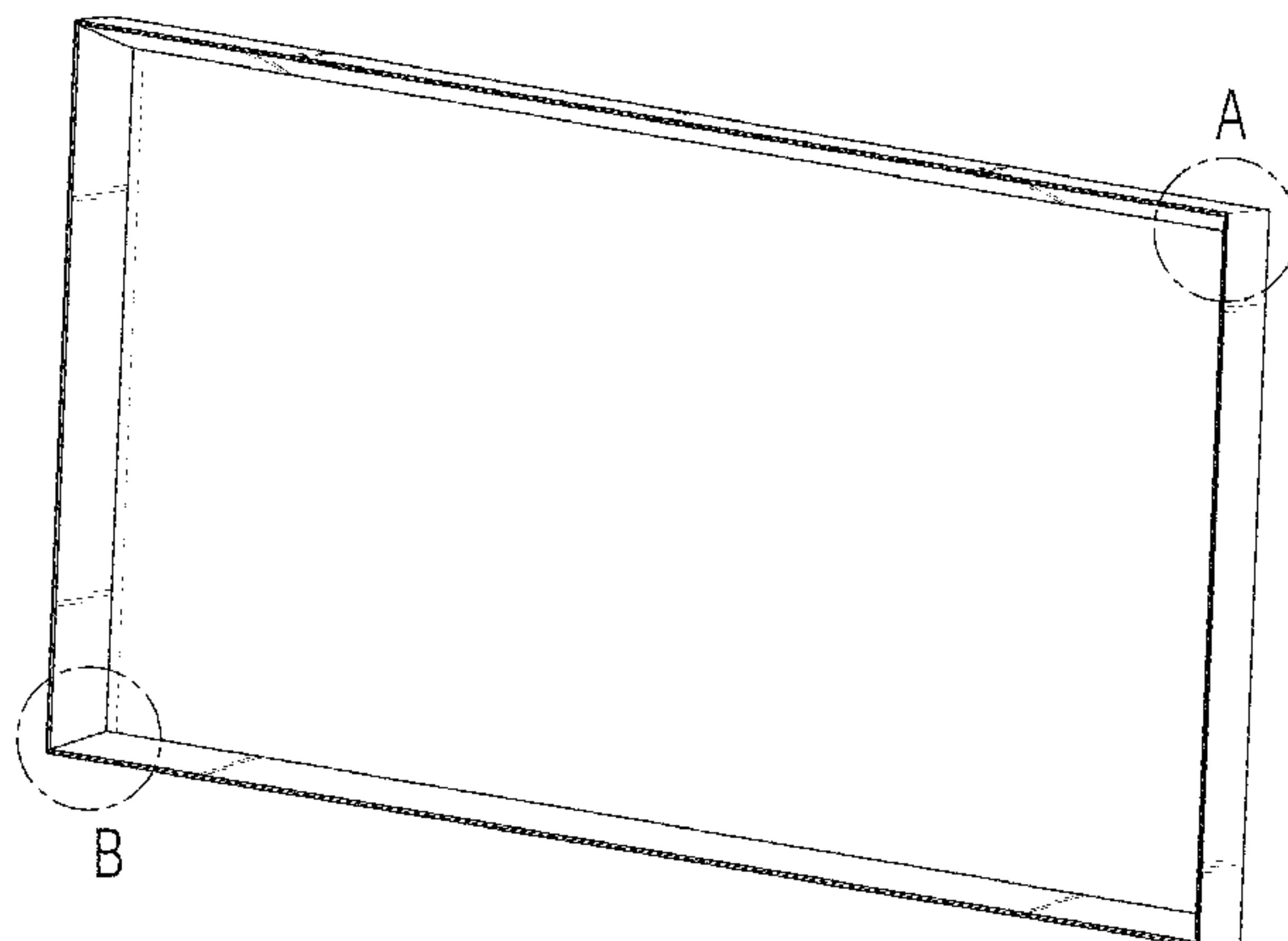
(57) **CLAIM**

The ornamental design for a display device frame, as shown and described.

**DESCRIPTION**

FIG. 1 is a perspective view of a display device frame, showing our new design;  
FIG. 2 is a front view thereof;  
FIG. 3 is a rear view thereof;  
FIG. 4 is a left-side view thereof;  
FIG. 5 is a right-side view thereof;  
FIG. 6 is a top plan view thereof;  
FIG. 7 is a bottom plan view thereof;  
FIG. 8 is another perspective view thereof showing with unclaimed display panel;  
FIG. 9 is a partial enlarged view of the portion A encircled in FIG. 1;  
FIG. 10 is a partial enlarged view of the portion B encircled in FIG. 1;  
FIG. 11 is a partial enlarged view of the portion C encircled in FIG. 2; and,  
FIG. 12 is a partial enlarged view of the portion D encircled in FIG. 3.  
The broken lines are for environmental purpose only and form no part of the claimed design. The dot-dash broken lines encircling portions of the claimed design that are illustrated in enlargements form no part of the claimed design. The shade lines in the figures show contour and not surface ornamentation.

**1 Claim, 10 Drawing Sheets**



(58) **Field of Classification Search**

CPC ..... F16B 47/00; F16B 47/006; A47G 1/17;  
A47K 2201/00

See application file for complete search history.

(56) **References Cited**

U.S. PATENT DOCUMENTS

3,208,876	A *	9/1965	Dodge	428/142
4,223,739	A *	9/1980	Waters	169/52
D452,995	S *	1/2002	Barry	D6/300
D519,117	S *	4/2006	Lewis	D14/374
D524,555	S *	7/2006	Mohundro	D6/300
D532,823	S *	11/2006	Pena Angarita	D19/52
D572,676	S *	7/2008	Niitsu	D14/126
D572,677	S *	7/2008	Niitsu	D14/126
D598,662	S *	8/2009	Stein	D6/300
D600,695	S *	9/2009	Niitsu et al.	D14/371
D601,854	S *	10/2009	Rubin	D7/554.3
D625,838	S *	10/2010	Walsh et al.	D25/60
D657,792	S *	4/2012	Lee et al.	D14/374
D659,697	S *	5/2012	Munjas	D14/450
D666,619	S *	9/2012	May	D14/447
D699,231	S *	2/2014	Kim et al.	D14/239
D699,697	S *	2/2014	Moon et al.	D14/126
D710,702	S *	8/2014	Damatov	D9/456
D718,731	S *	12/2014	Lee et al.	D14/126
2012/0260548	A1 *	10/2012	Andrulewich	40/743

\* cited by examiner

FIG. 1

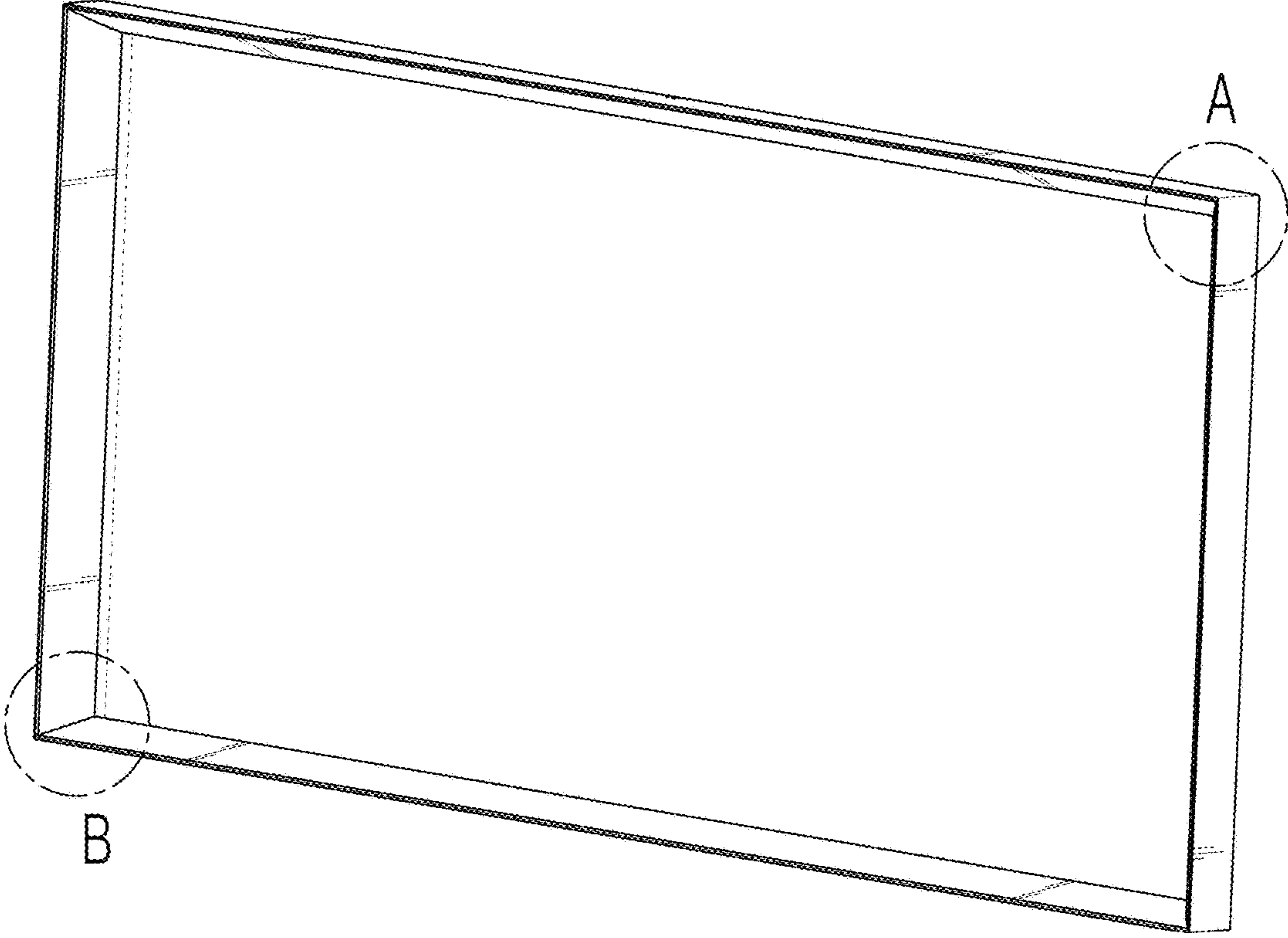


FIG. 2

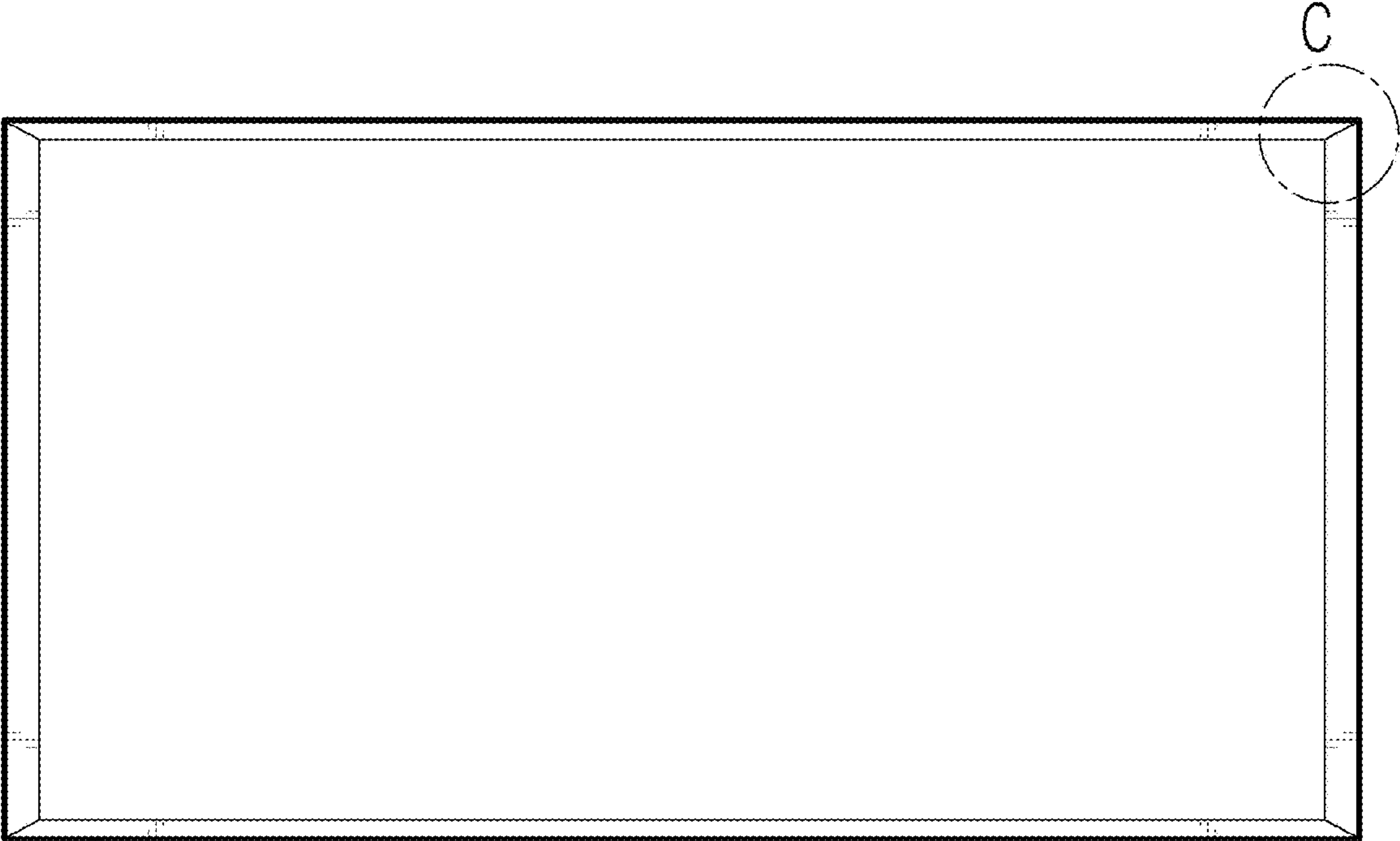


FIG. 3

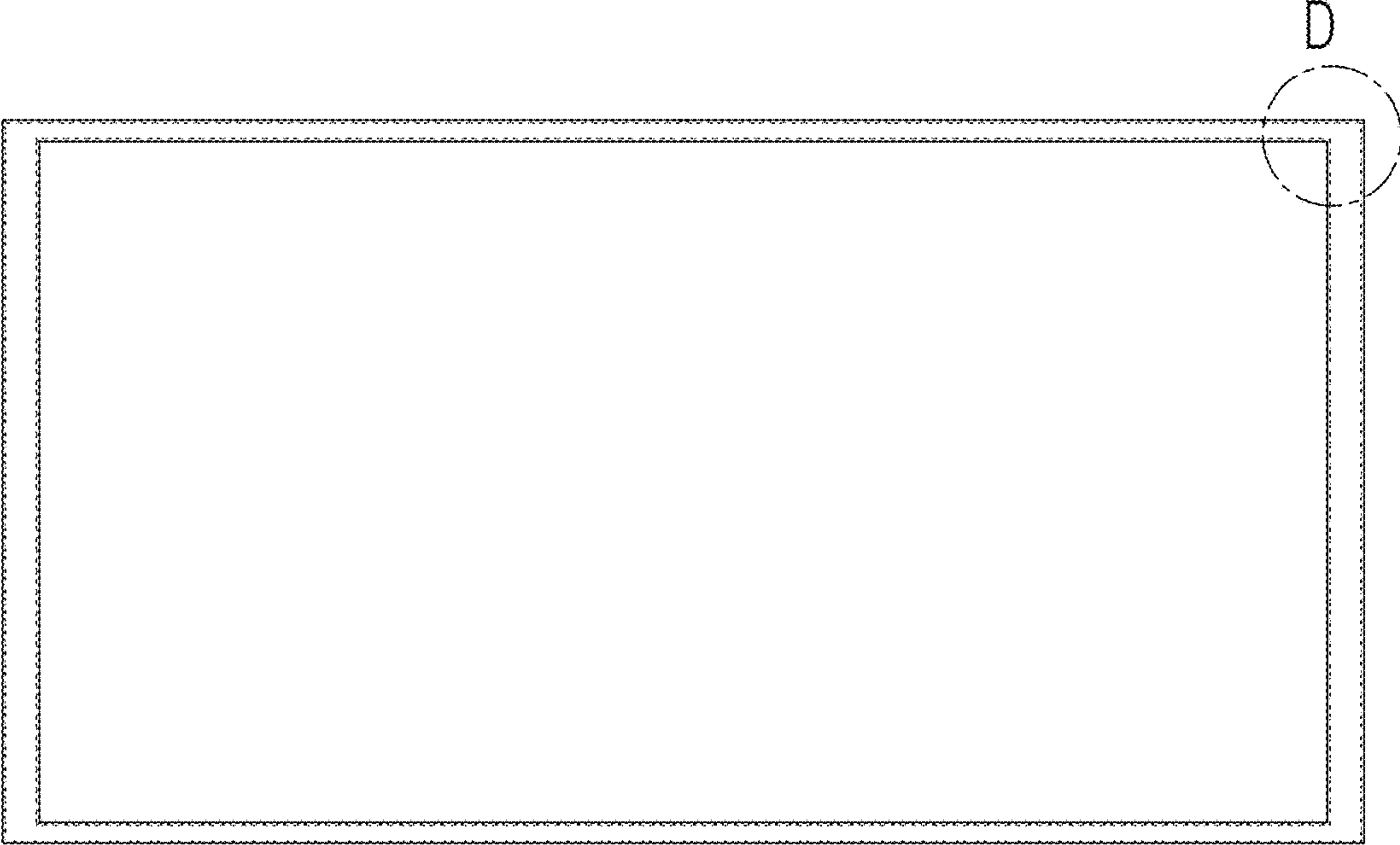


FIG. 4



FIG. 5



FIG. 6



FIG. 7



FIG. 8

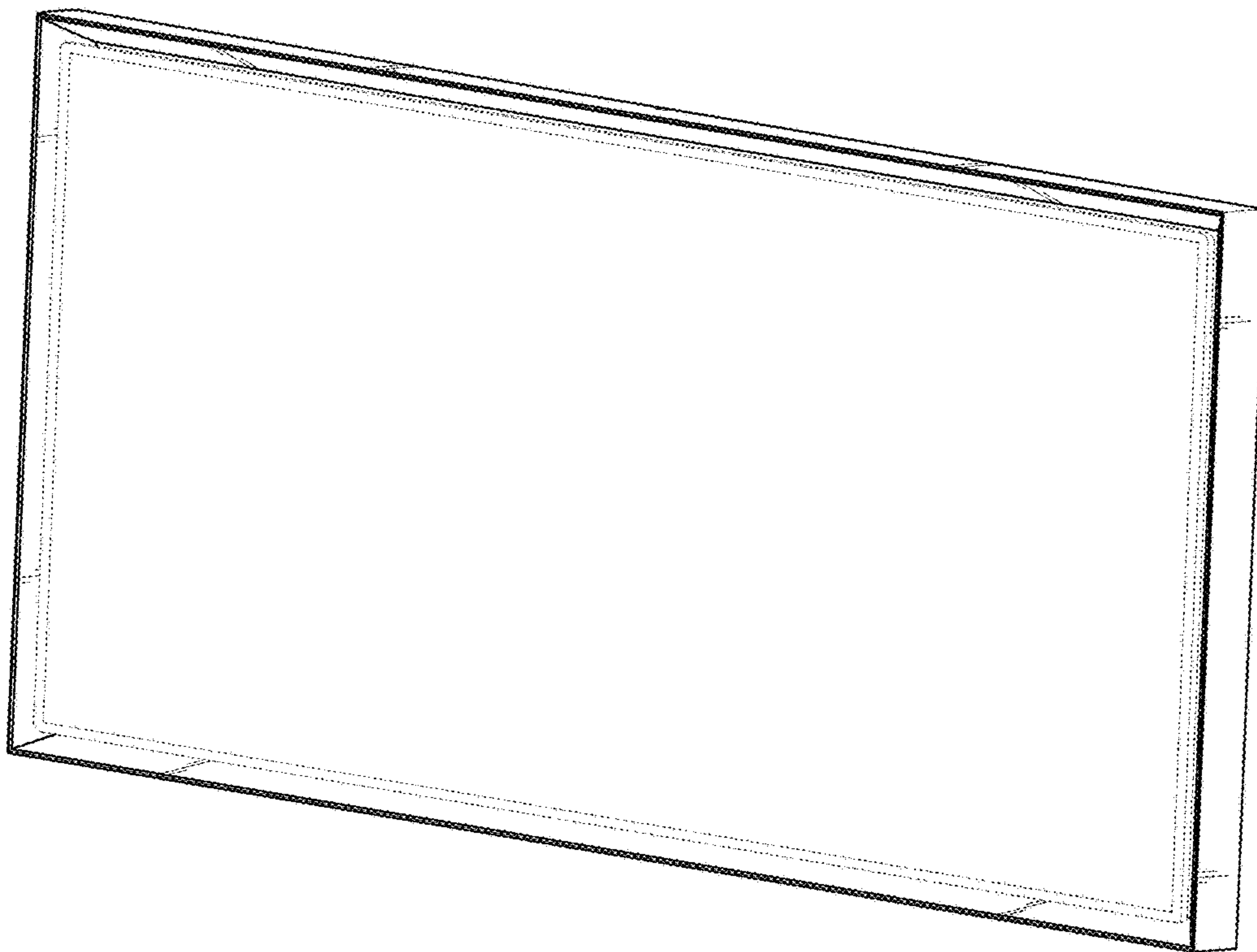




FIG. 9

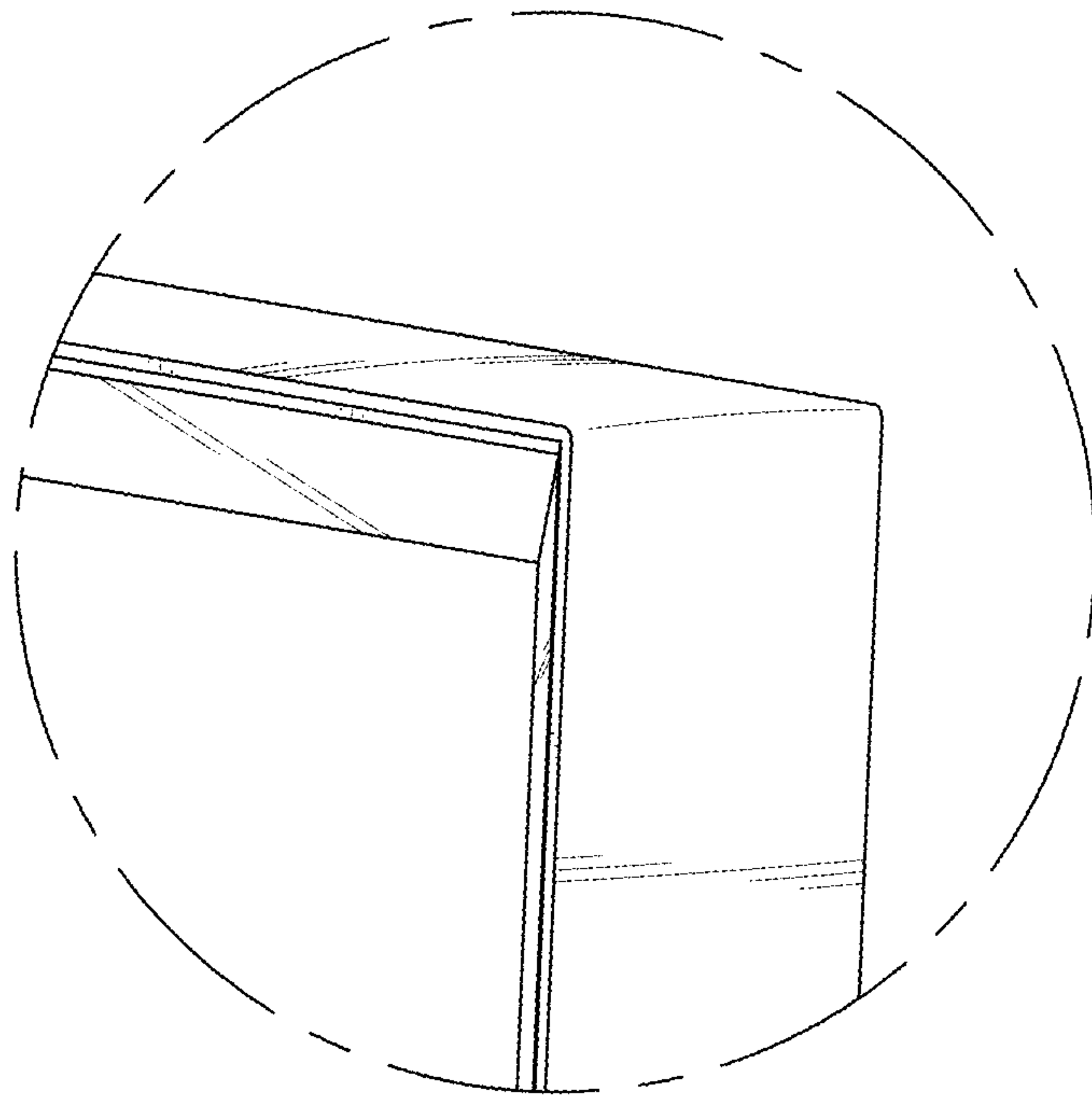


FIG. 10

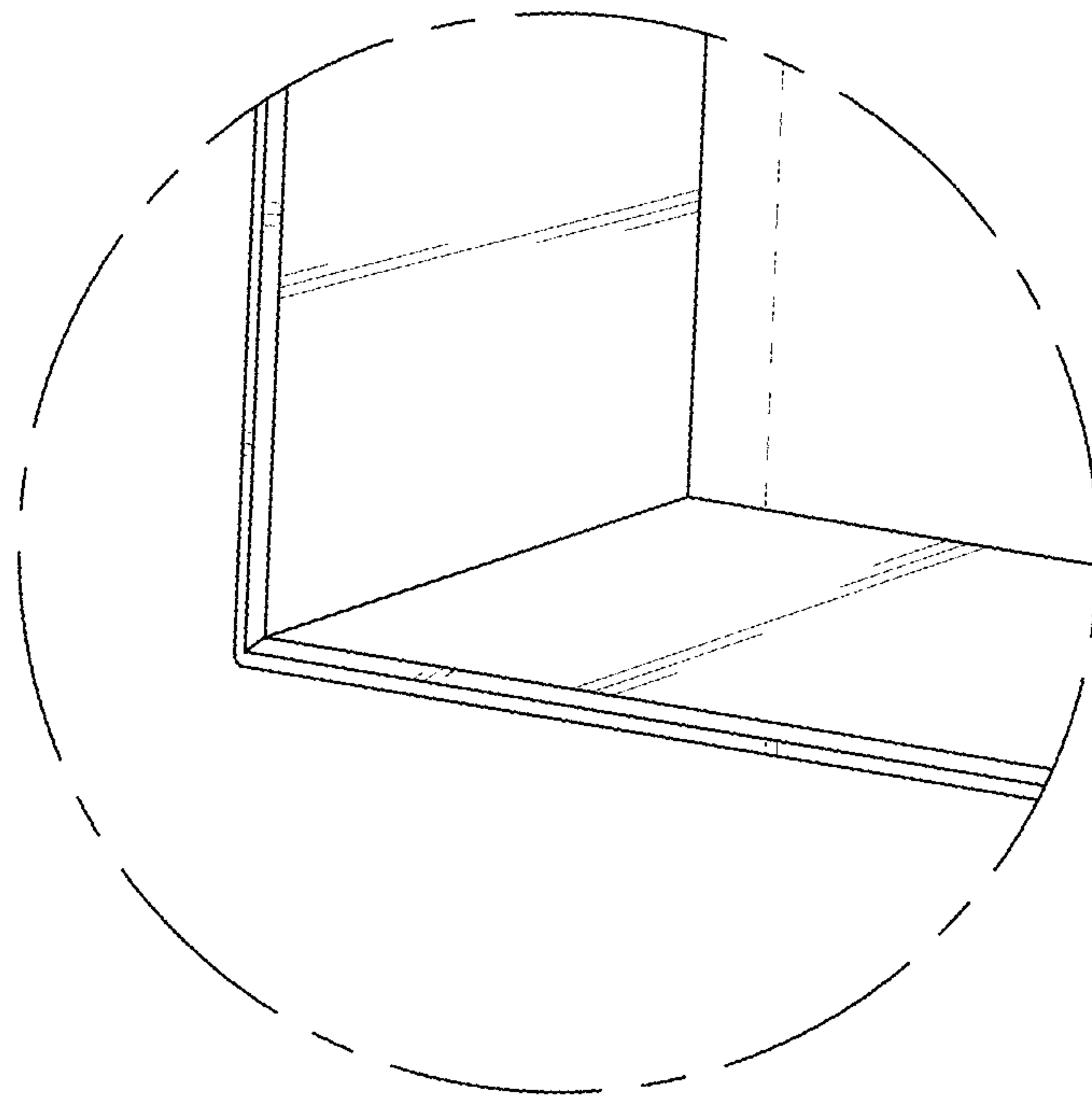


FIG. 11

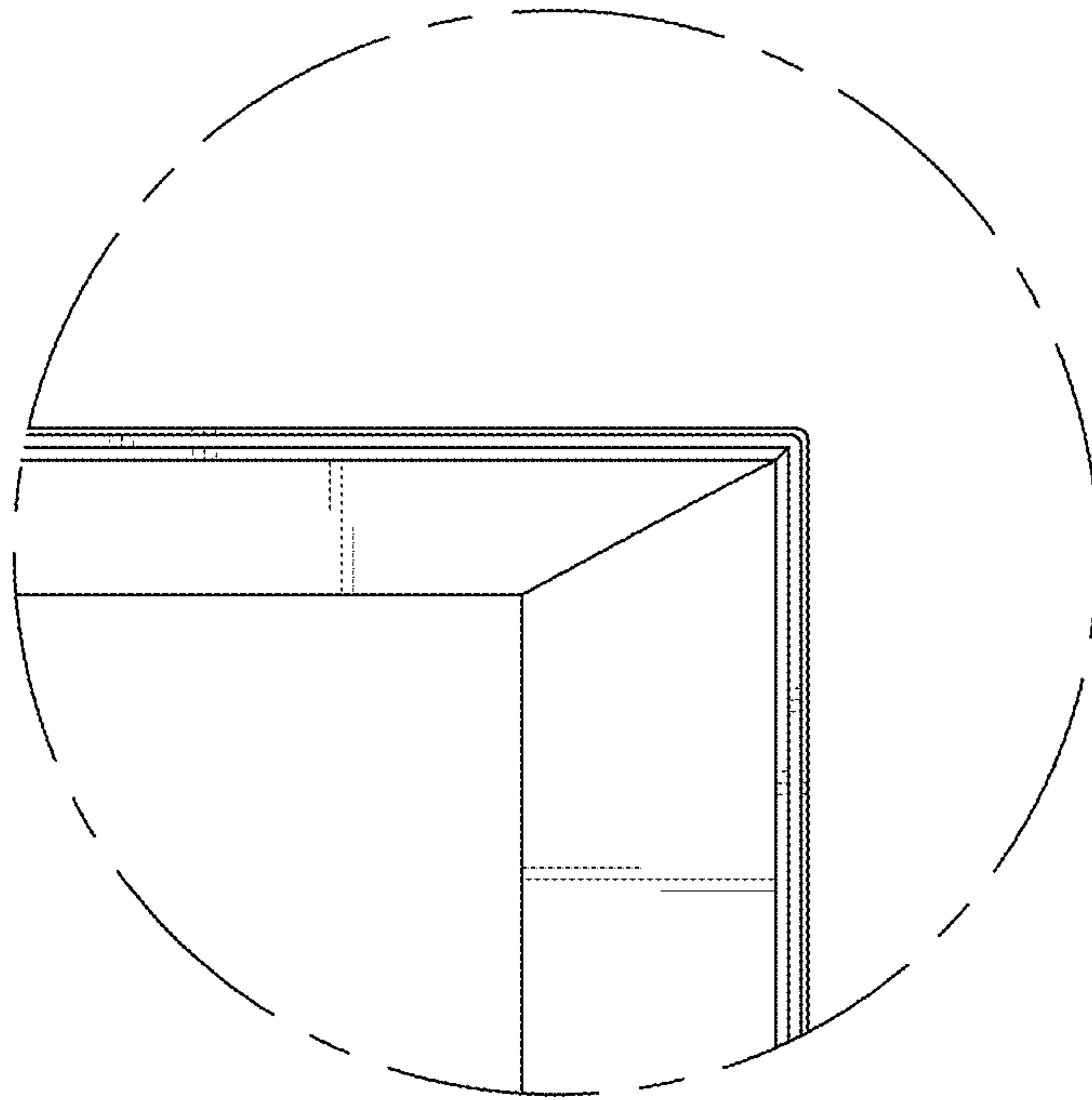


FIG. 12

