



US00D779496S

(12) **United States Design Patent** (10) **Patent No.:** **US D779,496 S**  
**Tur** (45) **Date of Patent:** **\*\* Feb. 21, 2017**

(54) **TEACH PENDANT BUMPER**  
(71) Applicant: **ROBOWORLD MOLDED PRODUCTS, LLC**, West Chester, OH (US)  
(72) Inventor: **Christian A. Tur**, West Chester, OH (US)  
(73) Assignee: **ROBOWORLD MOLDED PRODUCTS, LLC**, West Chester, OH (US)  
(\*\*) Term: **15 Years**

D681,483 S \* 5/2013 Biegert ..... D10/38  
D688,582 S \* 8/2013 Wilson ..... D10/128  
D688,967 S \* 9/2013 Wilson ..... D10/128  
8,523,124 B2 \* 9/2013 Yuan ..... F16M 11/10  
248/188.8  
D693,709 S \* 11/2013 Lee ..... D10/65  
D703,649 S \* 4/2014 Wikel ..... D14/250  
D714,295 S \* 9/2014 Fujioka ..... D14/440  
D716,312 S \* 10/2014 Fujioka ..... D14/440  
D723,016 S \* 2/2015 Lee ..... D14/250  
D728,549 S \* 5/2015 Su ..... D14/250  
D730,225 S \* 5/2015 Behar ..... D10/103  
D735,198 S \* 7/2015 Song ..... D14/432  
D735,199 S \* 7/2015 Song ..... D14/432  
D735,200 S \* 7/2015 Song ..... D14/432  
D735,586 S \* 8/2015 Stegmann ..... D10/30

(Continued)

(21) Appl. No.: **29/545,118**  
(22) Filed: **Nov. 10, 2015**  
(51) **LOC (10) Cl.** ..... **14-02**  
(52) **U.S. Cl.**  
USPC ..... **D14/440**  
(58) **Field of Classification Search**  
USPC ... D14/250, 440, 447; 206/45.23, 320, 45.2,  
206/316.2; 361/679.55; 294/25; 224/218  
CPC .... G06F 1/1628; G06F 1/1613; G06F 1/1626;  
A47B 23/044  
See application file for complete search history.

Primary Examiner — Cynthia Underwood  
(74) Attorney, Agent, or Firm — Thomas E. Lees, LLC

(57) **CLAIM**

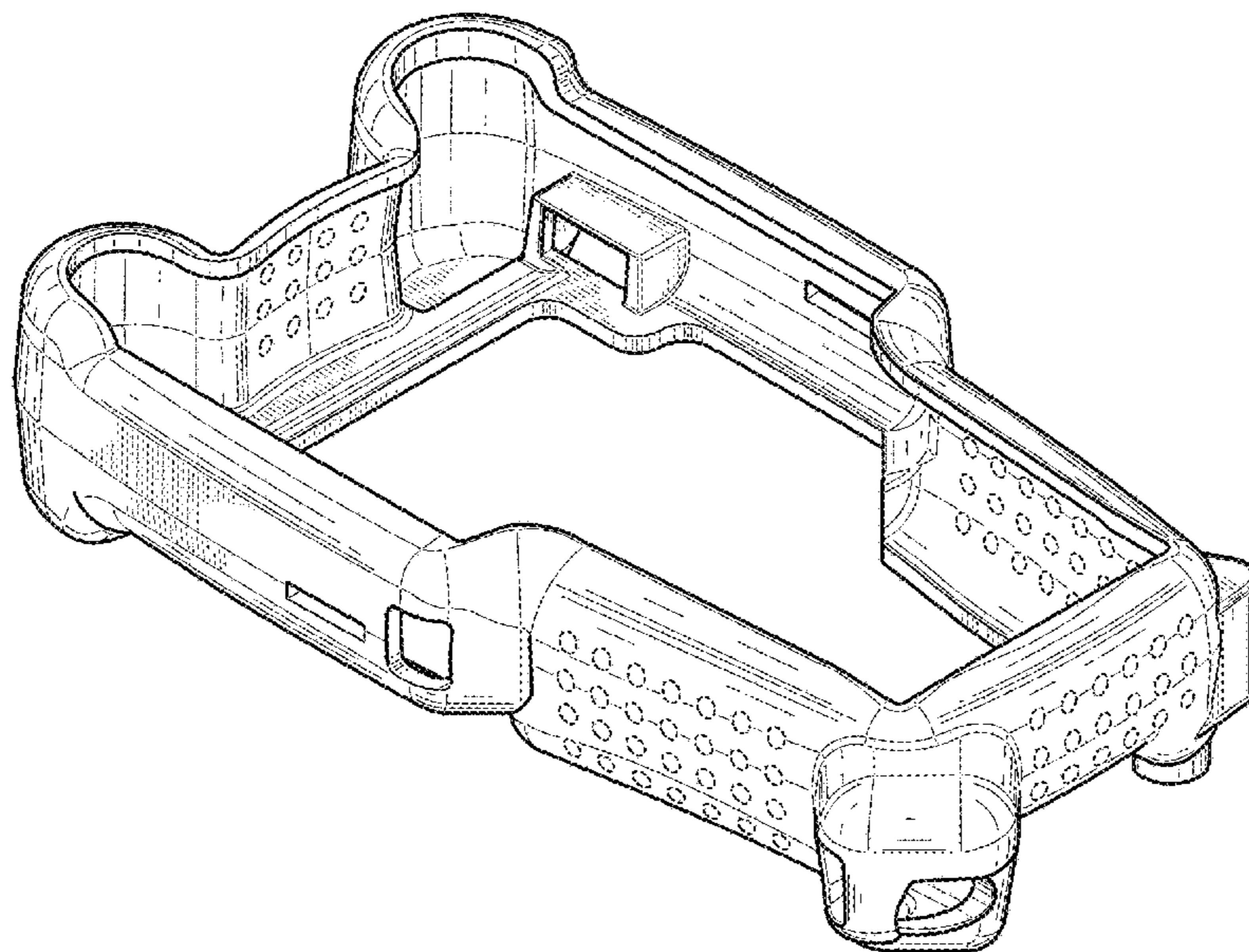
The ornamental design for a teach pendant bumper, as shown and described.

**DESCRIPTION**

FIG. 1 is a perspective view of a teach pendant bumper; FIG. 2 is a left side elevational view of the teach pendant bumper; FIG. 3 is a right side elevational view of the teach pendant bumper; FIG. 4 is a rear side elevational view of the teach pendant bumper; FIG. 5 is a front side elevational view of the teach pendant bumper; FIG. 6 is a top plan view of the teach pendant bumper; and, FIG. 7 is a bottom plan view of the teach pendant bumper. The broken lines represent portions of the structure that forms no part of the claim.

(56) **References Cited**  
U.S. PATENT DOCUMENTS  
D531,524 S \* 11/2006 Behling ..... D10/38  
D638,324 S \* 5/2011 Tang ..... D10/128  
D647,107 S \* 10/2011 Akana ..... D14/203.3  
D656,135 S \* 3/2012 Swartz ..... D14/238.1  
8,256,612 B1 \* 9/2012 Wang ..... A45C 11/00  
206/320  
D671,930 S \* 12/2012 Akana ..... D14/250  
D674,789 S \* 1/2013 Wen ..... D14/250  
D678,262 S \* 3/2013 Prato ..... D14/250

**1 Claim, 5 Drawing Sheets**



(56)

**References Cited**

U.S. PATENT DOCUMENTS

D735,724 S \* 8/2015 Song ..... D14/432  
D736,103 S \* 8/2015 Behling ..... D10/30  
D751,558 S \* 3/2016 Lee ..... D10/103  
D752,044 S \* 3/2016 Akana ..... D14/344  
D754,133 S \* 4/2016 Chen ..... D14/440  
D761,263 S \* 7/2016 Brinkman ..... D14/440  
D769,879 S \* 10/2016 Kim ..... D14/440  
2010/0061191 A1 \* 3/2010 Chen ..... A44C 5/0069  
368/109  
2011/0297578 A1 \* 12/2011 Stiehl ..... B29C 45/1676  
206/701  
2012/0043236 A1 \* 2/2012 Szucs ..... A45C 11/00  
206/320  
2012/0182678 A1 \* 7/2012 Wu ..... A45F 5/10  
361/679.01  
2012/0257340 A1 \* 10/2012 Kim ..... H04B 1/3888  
361/679.01  
2013/0222139 A1 \* 8/2013 Gouge ..... A61B 5/01  
340/573.1

\* cited by examiner



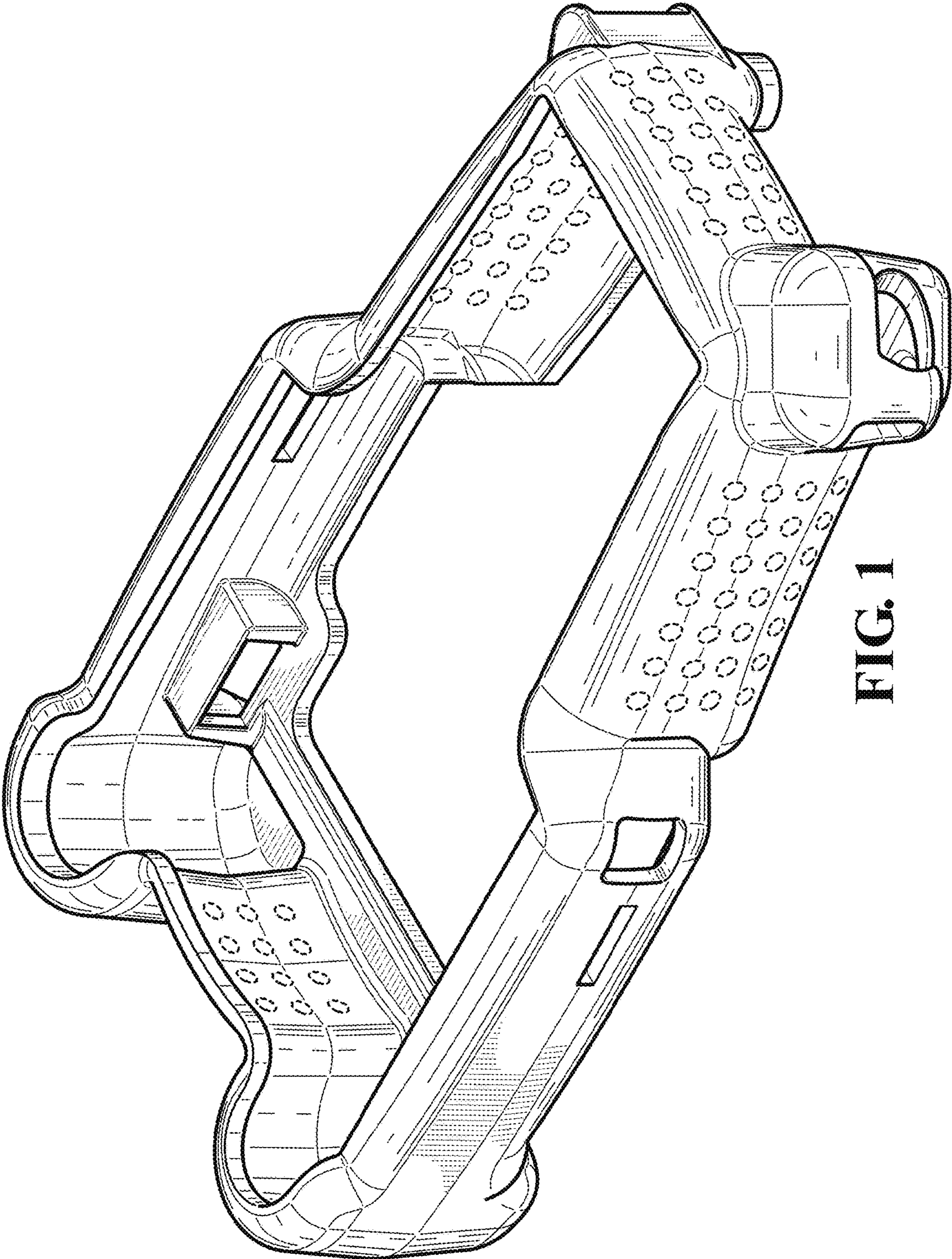
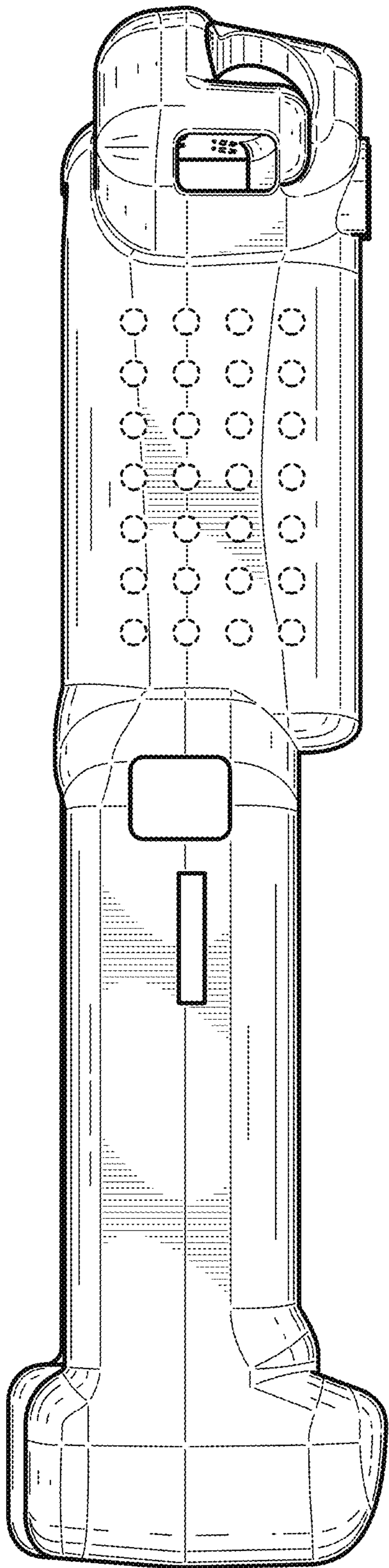
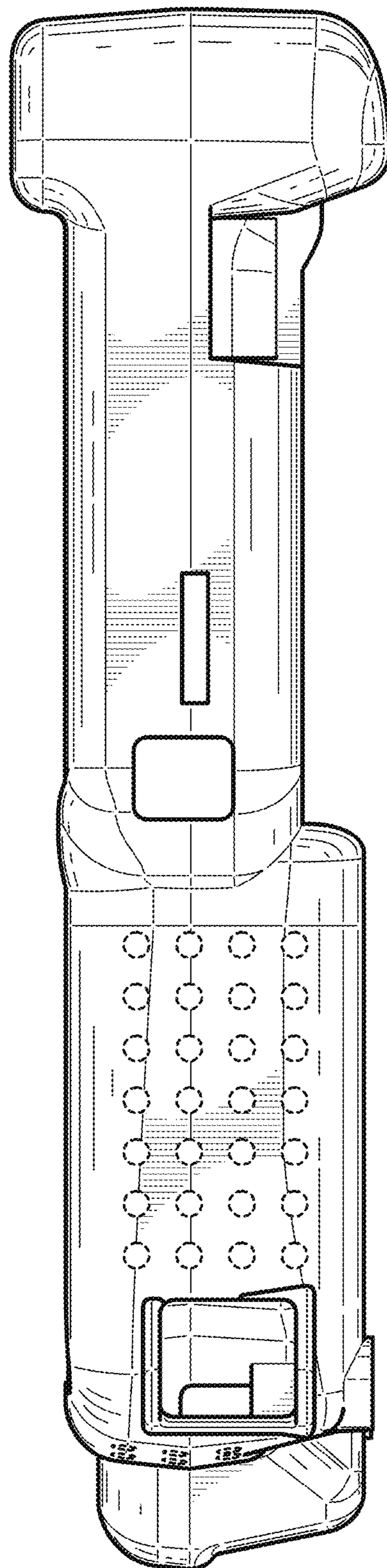


FIG. 1



**FIG. 2**



**FIG. 3**



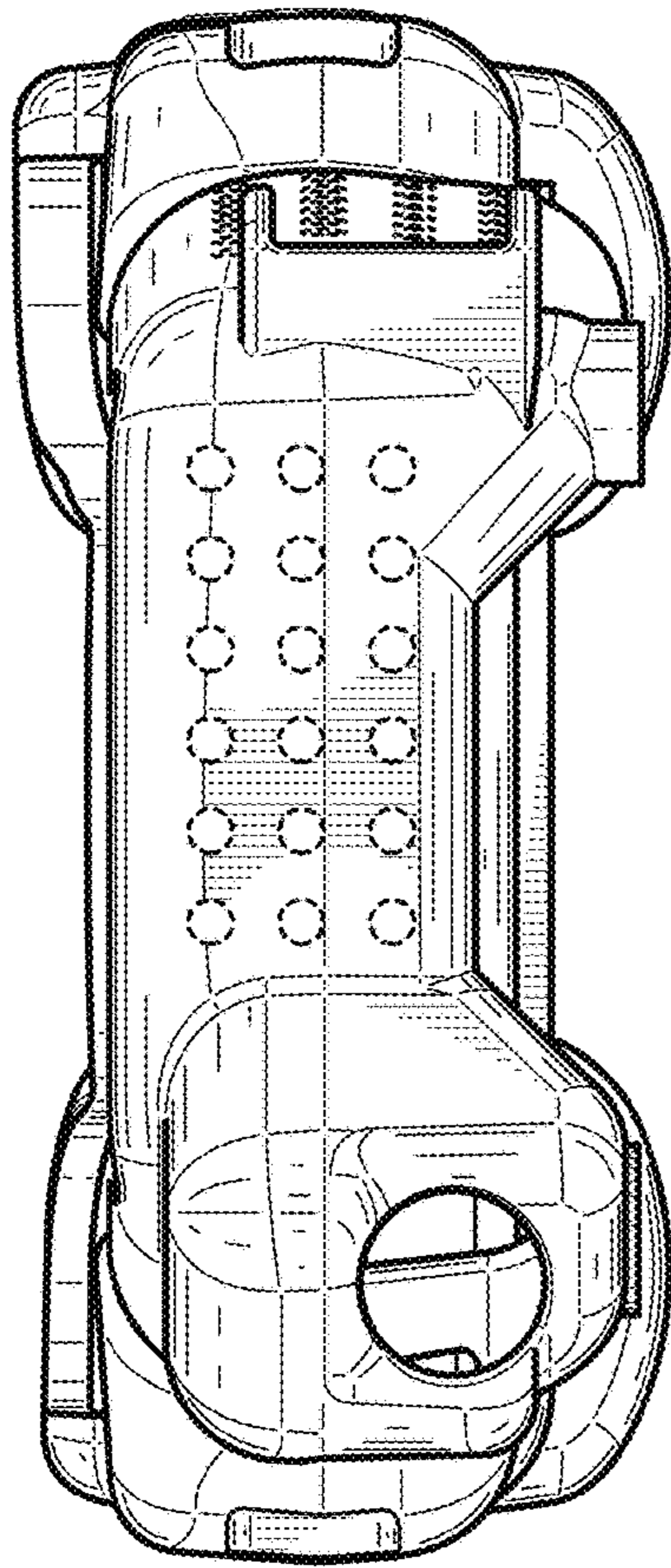


FIG. 4

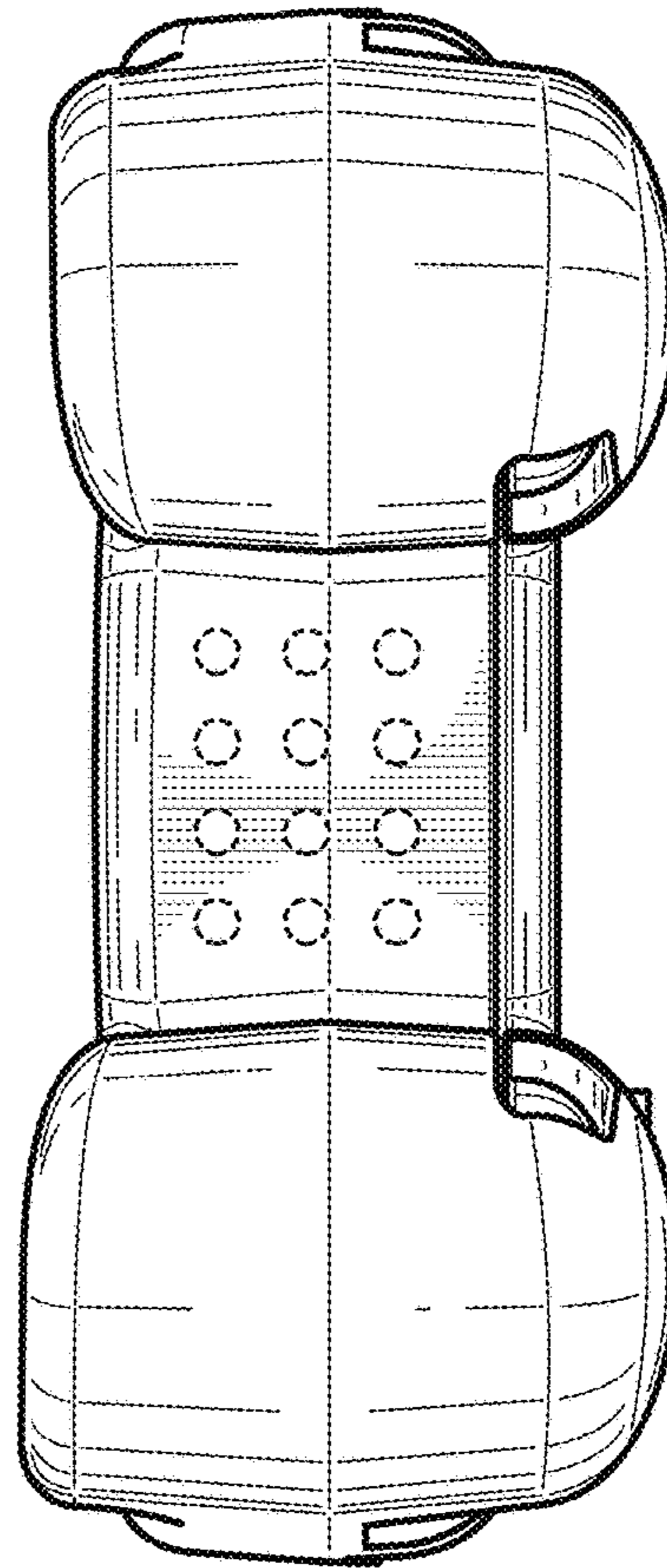


FIG. 5

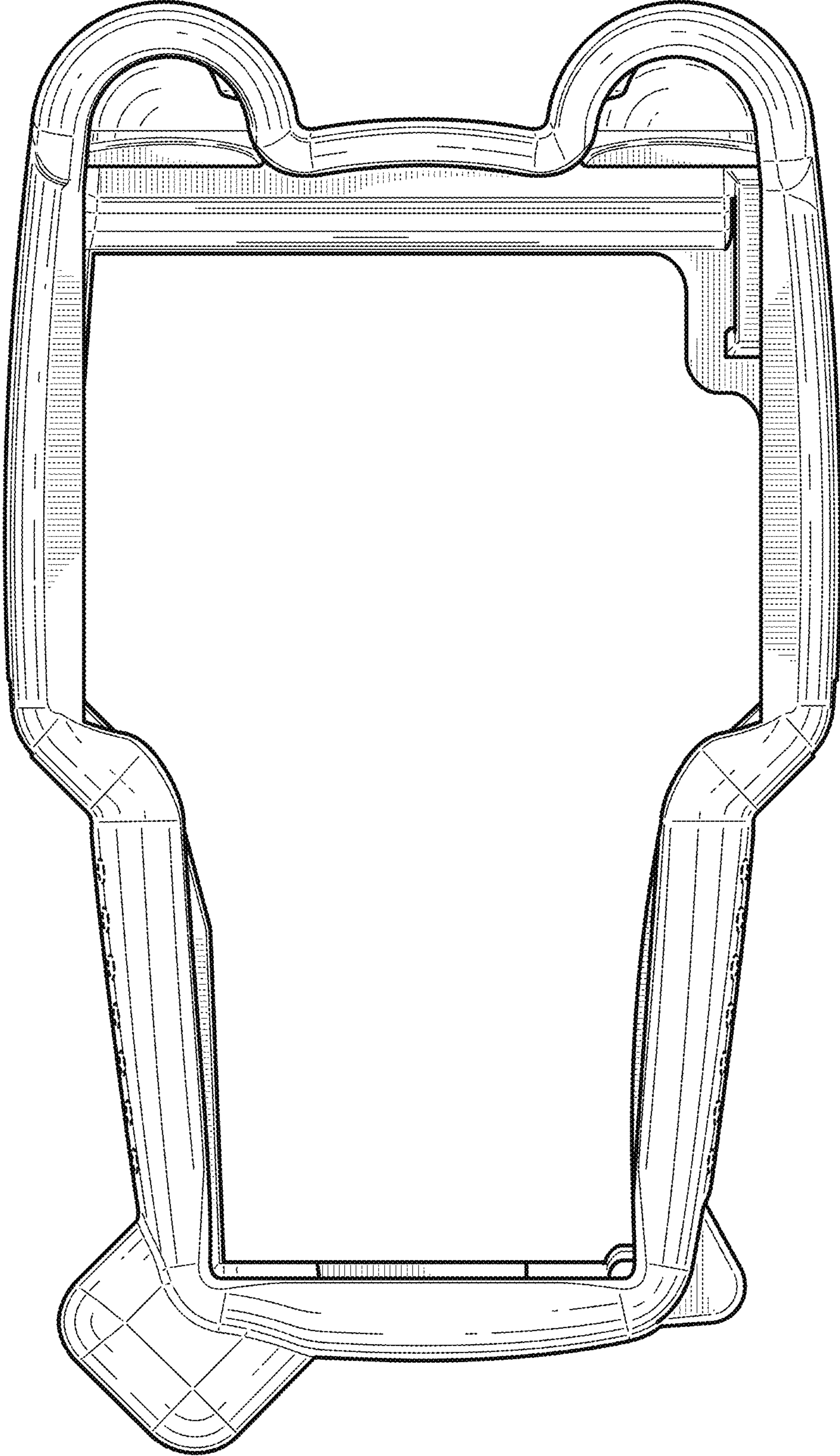


FIG. 6

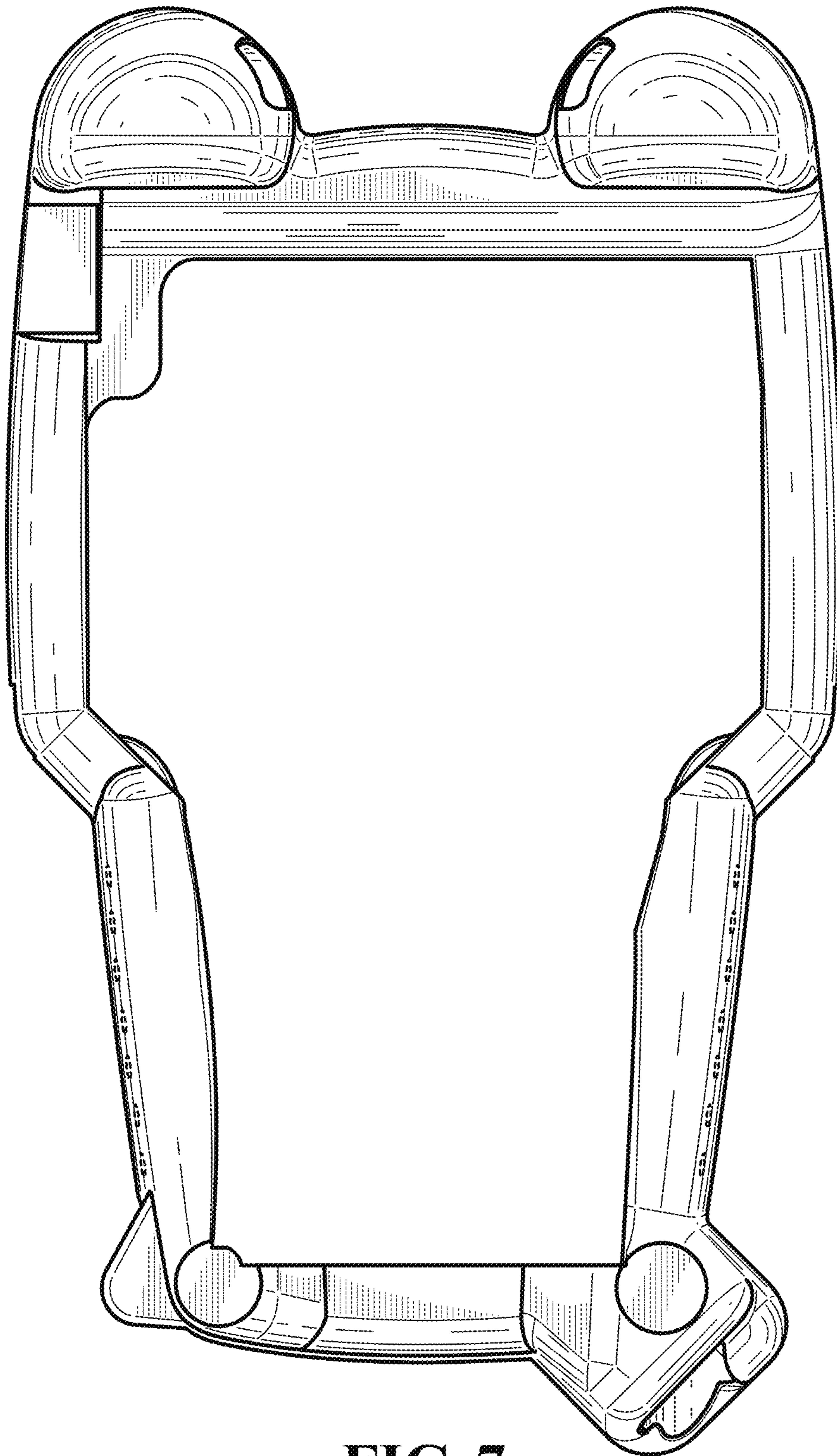


FIG. 7