



US00D779495S

(12) **United States Design Patent** (10) **Patent No.:** **US D779,495 S**
Tur (45) **Date of Patent:** **** Feb. 21, 2017**

(54) **TEACH PENDANT BUMPER**
(71) Applicant: **ROBOWORLD MOLDED PRODUCTS, LLC**, West Chester, OH (US)
(72) Inventor: **Christian A. Tur**, West Chester, OH (US)
(73) Assignee: **ROBOWORLD MOLDED PRODUCTS, LLC**, West Chester, OH (US)
(**) Term: **15 Years**

D681,483 S * 5/2013 Biegert D10/38
D688,582 S * 8/2013 Wilson D10/128
D688,967 S * 9/2013 Wilson D10/128
8,523,124 B2 * 9/2013 Yuan F16M 11/10
248/188.8
D693,709 S * 11/2013 Lee D10/65
D703,649 S * 4/2014 Wikel D14/250
D714,295 S * 9/2014 Fujioka D14/440
D716,312 S * 10/2014 Fujioka D14/440
D723,016 S * 2/2015 Lee D14/250
D728,549 S * 5/2015 Su D14/250
D730,225 S * 5/2015 Behar D10/103
D735,198 S * 7/2015 Song D14/432
D735,199 S * 7/2015 Song D14/432
D735,200 S * 7/2015 Song D14/432
D735,586 S * 8/2015 Stegmann D10/30

(Continued)

(21) Appl. No.: **29/542,840**
(22) Filed: **Oct. 19, 2015**
(51) **LOC (10) Cl.** **14-02**
(52) **U.S. Cl.**
USPC **D14/440**
(58) **Field of Classification Search**
USPC ... D14/250, 440, 447; 206/45.23, 320, 45.2,
206/316.2; 361/679.55; 294/25; 224/218
CPC G06F 1/1628; G06F 1/1613; G06F 1/1626;
A47B 23/044
See application file for complete search history.

Primary Examiner — Cynthia Underwood
(74) *Attorney, Agent, or Firm* — Thomas E. Lee, LLC

(57) **CLAIM**

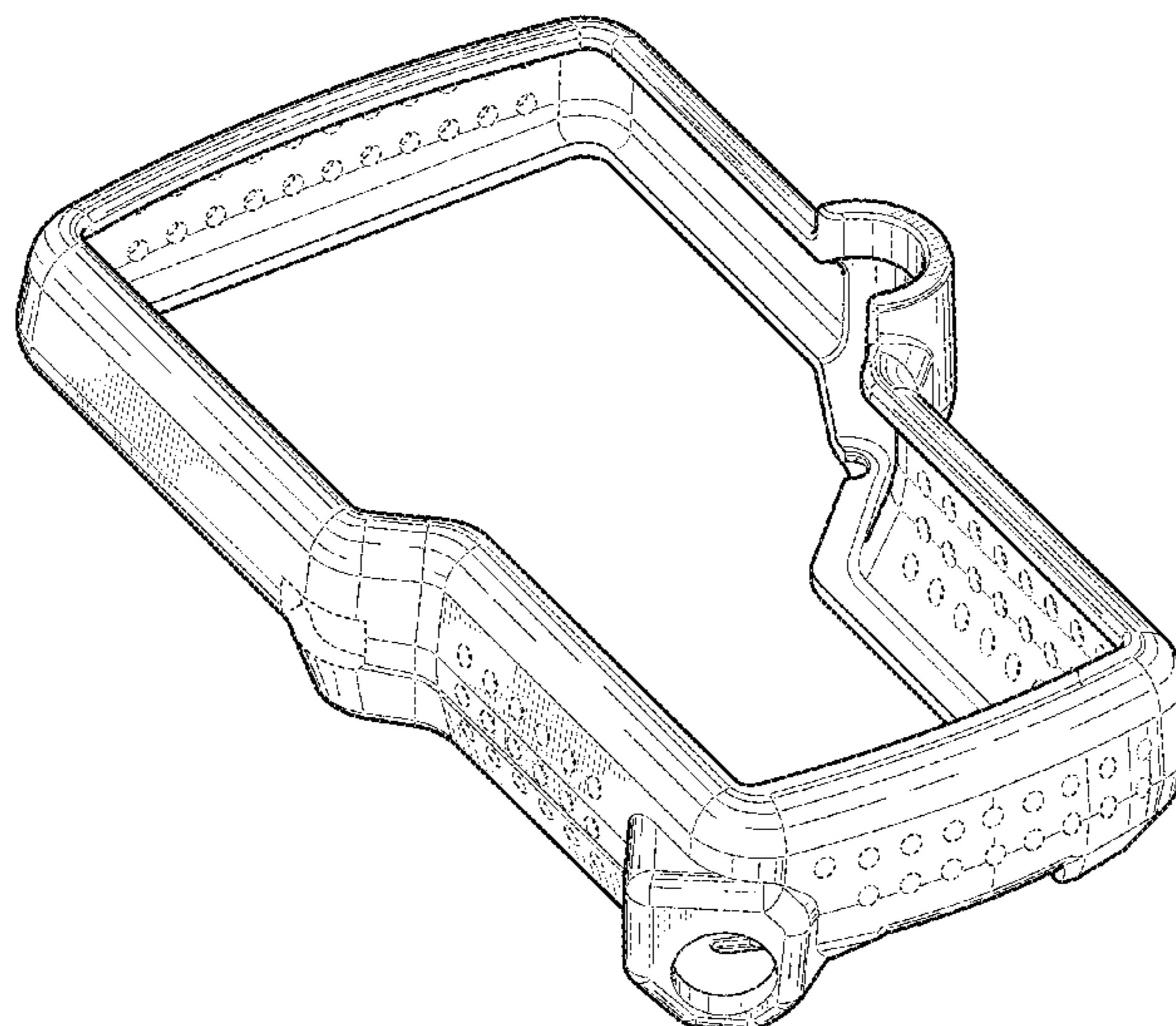
The ornamental design for a teach pendant bumper, as shown and described.

DESCRIPTION

FIG. 1 is a perspective view of a teach pendant bumper; FIG. 2 is a left side elevational view of the teach pendant bumper; FIG. 3 is a right side elevational view of the teach pendant bumper; FIG. 4 is a rear side elevational view of the teach pendant bumper; FIG. 5 is a front side elevational view of the teach pendant bumper; FIG. 6 is a top plan view of the teach pendant bumper; and, FIG. 7 is a bottom plan view of the teach pendant bumper. The broken lines represent portions of the structure that forms no part of the claim.

(56) **References Cited**
U.S. PATENT DOCUMENTS
D531,524 S * 11/2006 Behling D10/38
D638,324 S * 5/2011 Tang D10/128
D647,107 S * 10/2011 Akana D14/203.3
D656,135 S * 3/2012 Swartz D14/238.1
8,256,612 B1 * 9/2012 Wang A45C 11/00
206/320
D671,930 S * 12/2012 Akana D14/250
D674,789 S * 1/2013 Wen D14/250
D678,262 S * 3/2013 Prato D14/250

1 Claim, 5 Drawing Sheets



(56)

References Cited

U.S. PATENT DOCUMENTS

D735,724	S *	8/2015	Song	D14/432
D736,103	S *	8/2015	Behling	D10/30
D751,558	S *	3/2016	Lee	D10/103
D752,044	S *	3/2016	Akana	D14/344
D754,133	S *	4/2016	Chen	D14/440
D761,263	S *	7/2016	Brinkman	D14/440
D769,879	S *	10/2016	Kim	D14/440
2010/0061191	A1 *	3/2010	Chen	A44C 5/0069 368/109
2011/0297578	A1 *	12/2011	Stiehl	B29C 45/1676 206/701
2012/0043236	A1 *	2/2012	Szucs	A45C 11/00 206/320
2012/0182678	A1 *	7/2012	Wu	A45F 5/10 361/679.01
2012/0257340	A1 *	10/2012	Kim	H04B 1/3888 361/679.01
2013/0222139	A1 *	8/2013	Gouge	A61B 5/01 340/573.1

* cited by examiner

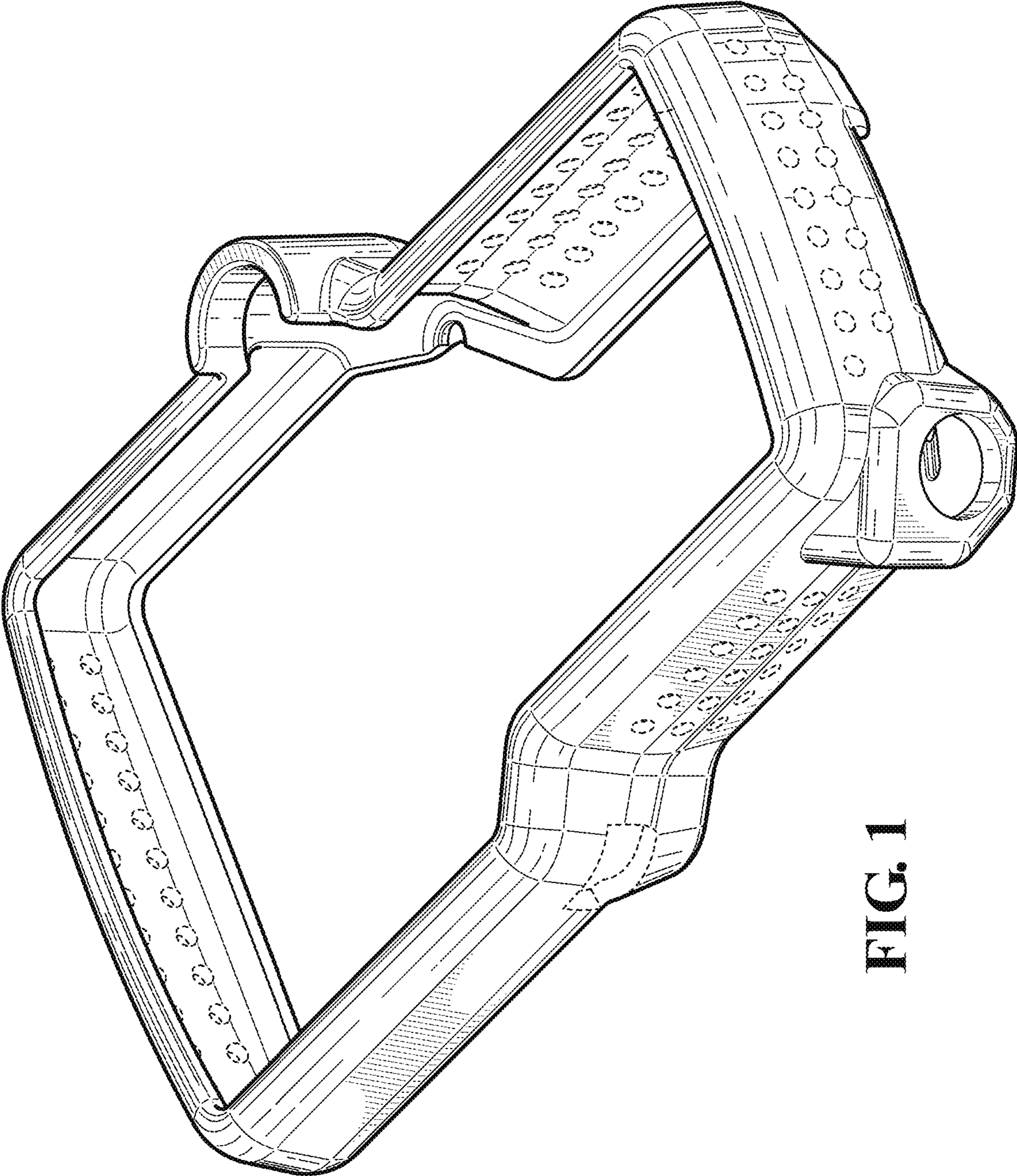


FIG. 1

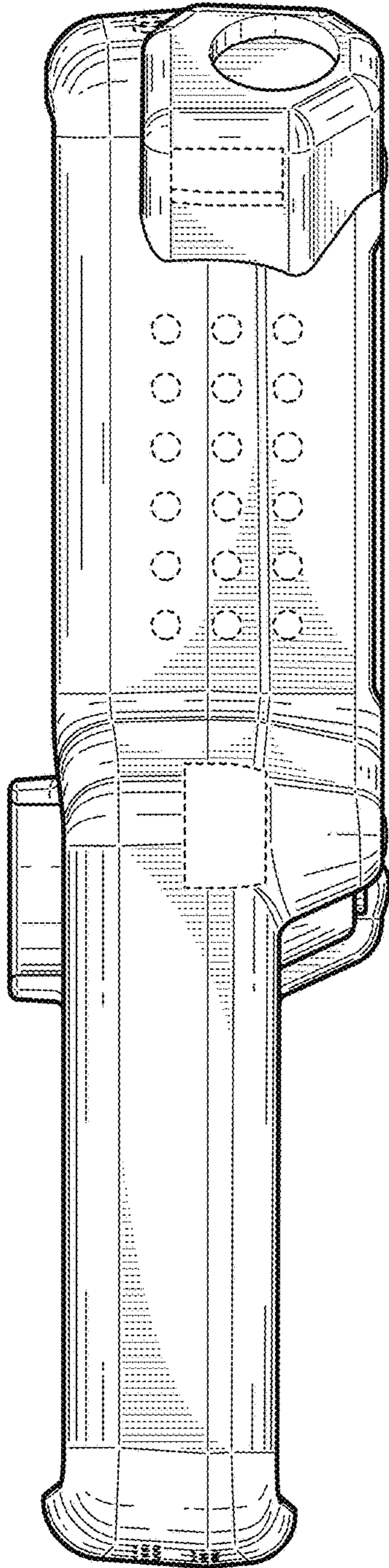


FIG. 2

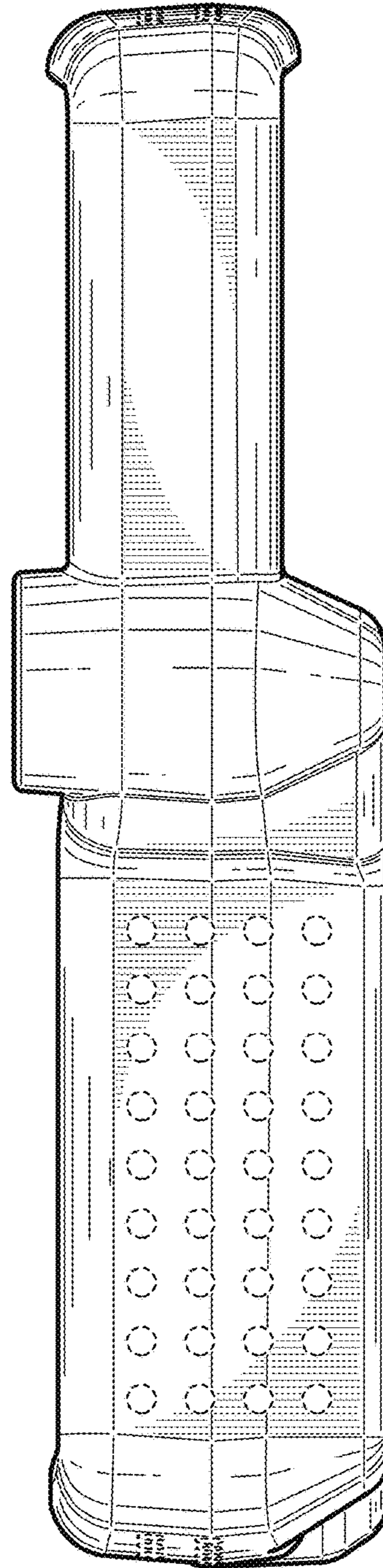


FIG. 3

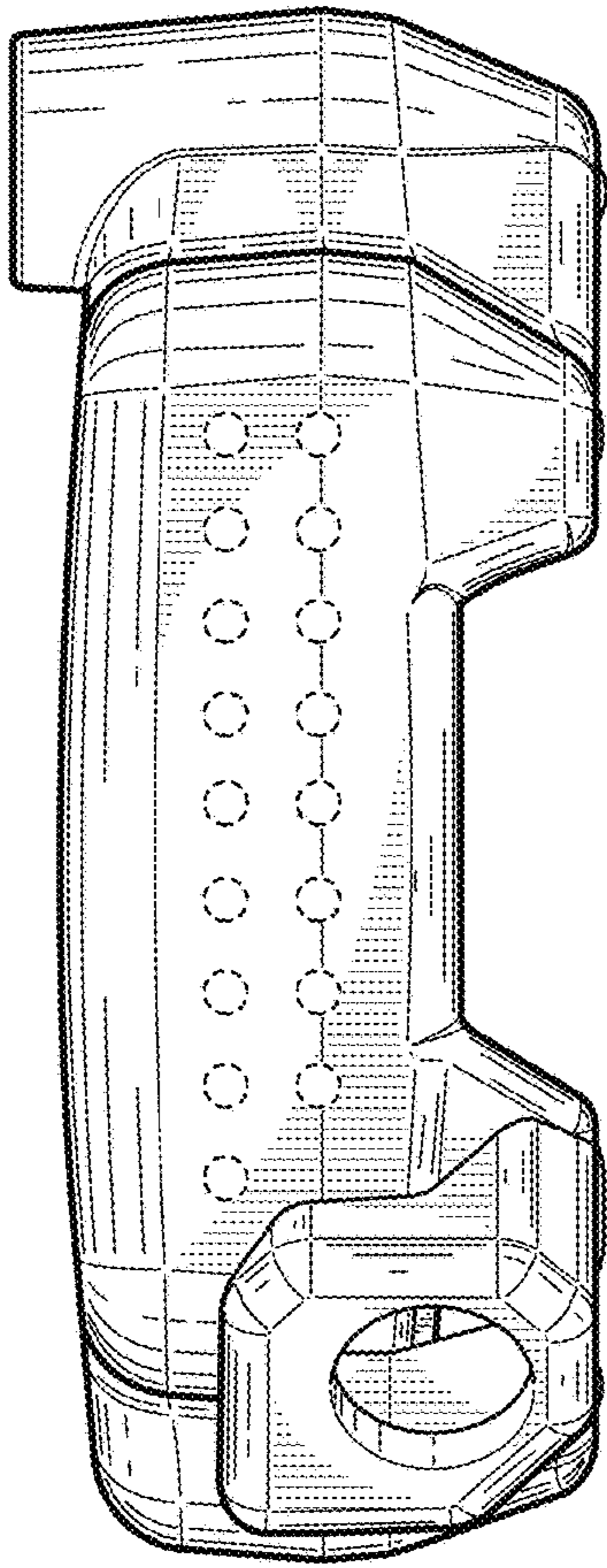


FIG. 4

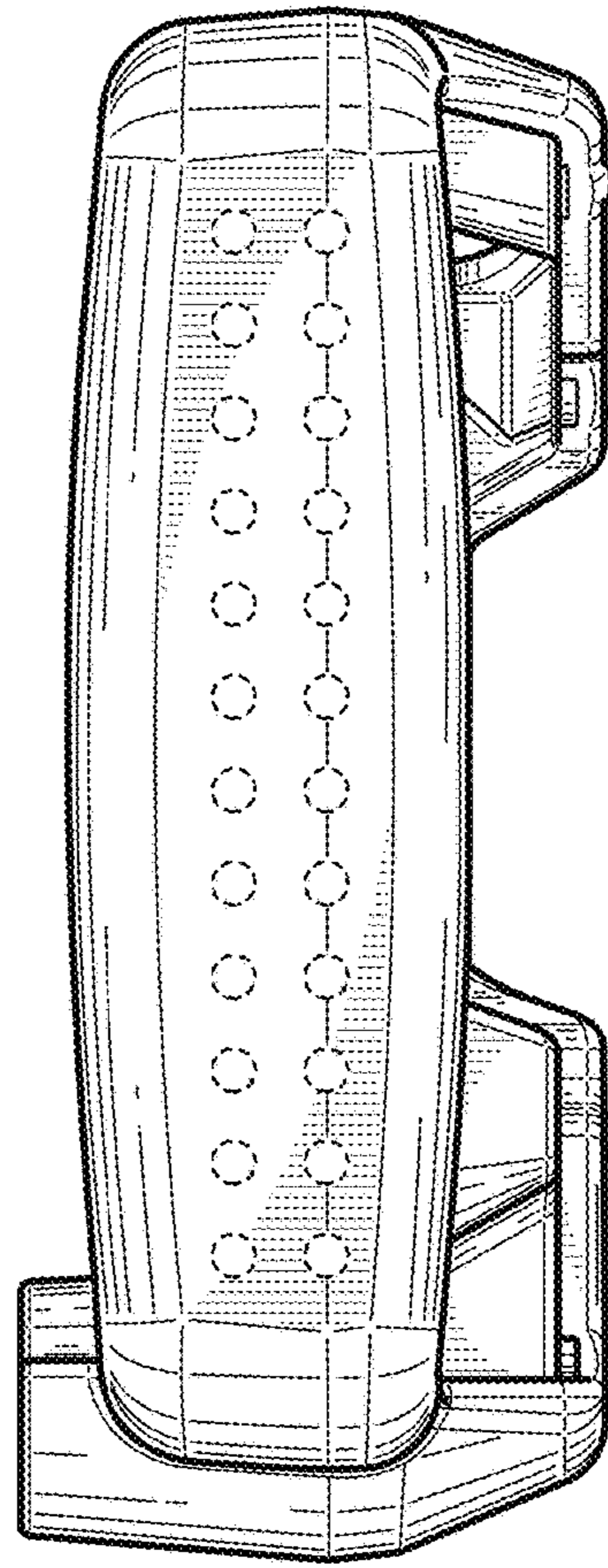


FIG. 5

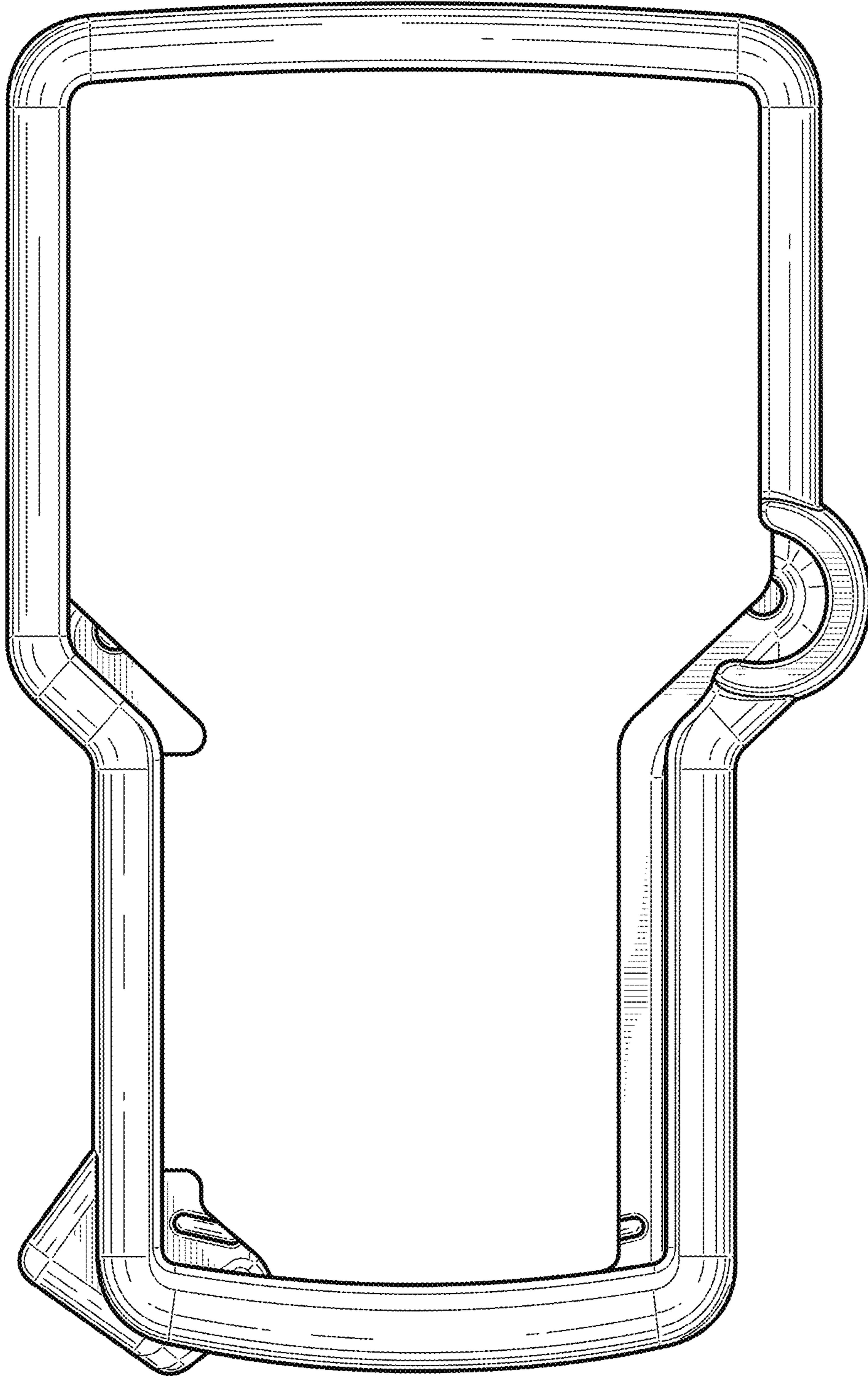


FIG. 6

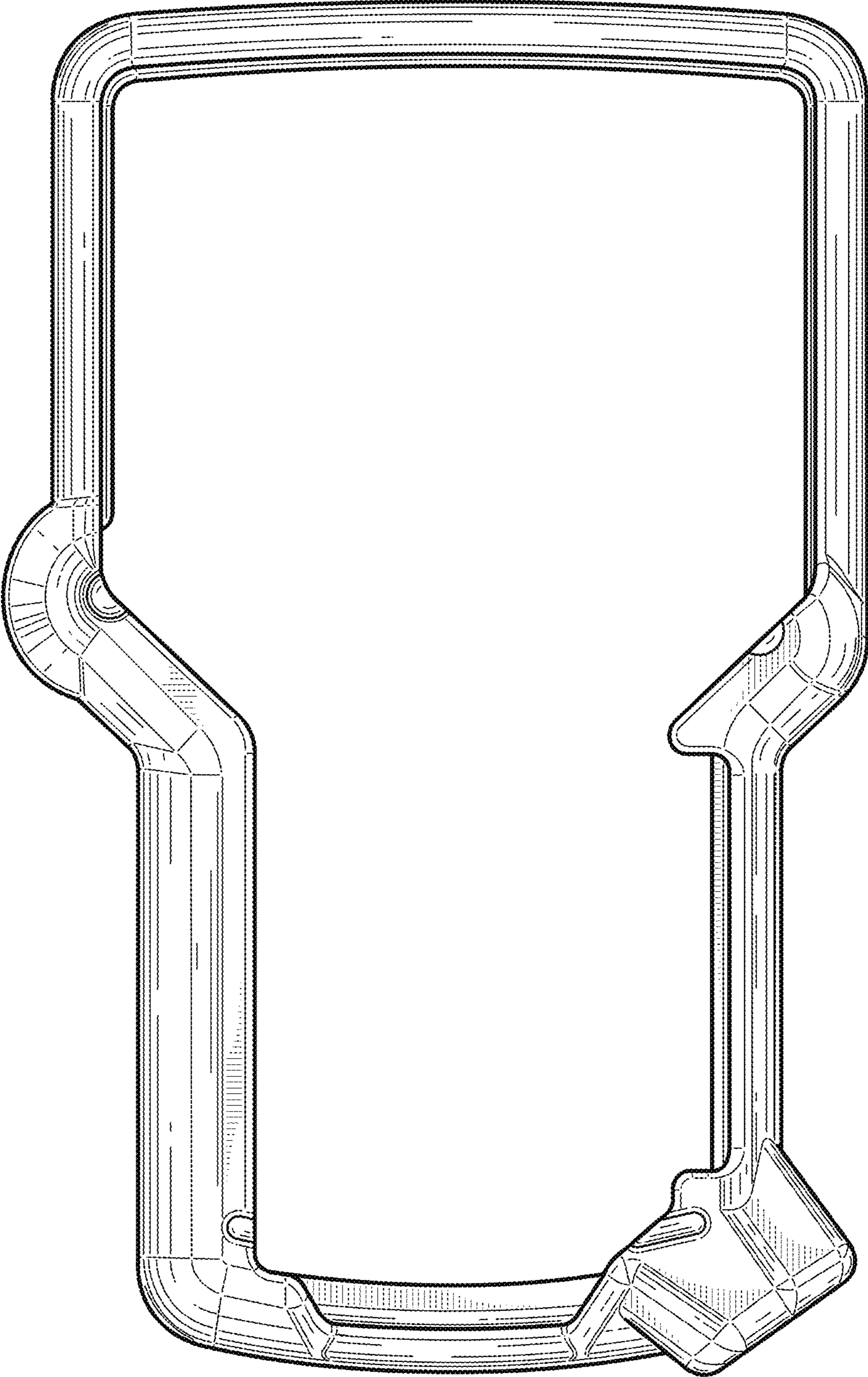


FIG. 7

UNITED STATES PATENT AND TRADEMARK OFFICE
CERTIFICATE OF CORRECTION

PATENT NO. : D779,495 S
APPLICATION NO. : 29/542840
DATED : February 21, 2017
INVENTOR(S) : Christian A. Tur

Page 1 of 1

It is certified that error appears in the above-identified patent and that said Letters Patent is hereby corrected as shown below:

On the Title Page

Item [74], Attorney, Agent, or Firm:

“Thomas E. Lee, LLC” should read --Thomas E. Lees, LLC--.

Signed and Sealed this
Eleventh Day of April, 2017



Michelle K. Lee
Director of the United States Patent and Trademark Office