



US00D779494S

(12) **United States Design Patent**
Hallier

(10) **Patent No.:** **US D779,494 S**

(45) **Date of Patent:** **** Feb. 21, 2017**

(54) **COMBINED WIRELESS KEYBOARD AND CASE FOR A PORTABLE ELECTRONIC DEVICE**

(71) Applicant: **Typo Innovations, LLC**, Las Vegas, NV (US)

(72) Inventor: **Laurence Hallier**, Las Vegas, NV (US)

(73) Assignee: **Typo Innovations, LLC**, Las Vegas, NV (US)

(**) Term: **14 Years**

(21) Appl. No.: **29/517,924**

(22) Filed: **Feb. 18, 2015**

(51) **LOC (10) Cl.** **14-02**

(52) **U.S. Cl.**
USPC **D14/440; D14/252**

(58) **Field of Classification Search**

USPC D14/434, 440, 447, 251–253, 432, 451, D14/452, 140, 142, 149, 217, 240, 299, D14/496; D3/215, 218, 219, 328; D13/107, 108; D10/23; D8/71, 72, 74, D8/349, 373; D6/302, 303, 306, 310, 312; 455/575.1; D19/88; D16/242, 245; D21/313; D12/400, 415–418, 420–422, D12/426, 223; 379/454
CPC G06F 1/162; G06F 1/1683; G06F 1/1624; G06F 1/1628; G06F 1/1632; G06F 1/1616; F16M 11/04; F16M 11/041; B60R 11/02; B60R 11/0241; B60R 11/0258; B60R 11/0252; A45F 5/021; A45F 2005/025; H04M 1/00; H04M 1/04; H04M 1/06; H04M 1/11; H04B 1/3877; H04B 1/3888
See application file for complete search history.

(56) **References Cited**

U.S. PATENT DOCUMENTS

D675,625 S * 2/2013 Hasbrook D14/440
D676,453 S * 2/2013 Hsu D14/447

D684,156 S * 6/2013 Chan D14/434
8,467,179 B2 * 6/2013 Probst G06F 1/1616
345/168
D690,703 S * 10/2013 Welch D14/440
D692,432 S * 10/2013 Liu D14/440
D701,511 S * 3/2014 He D14/447
D718,771 S * 12/2014 Huang D14/447
D719,576 S * 12/2014 Chen D14/447
D729,813 S * 5/2015 Byrne D14/447
9,141,136 B2 * 9/2015 Shulenberger G06F 1/162
9,218,024 B2 * 12/2015 Gengler G06F 1/1632

(Continued)

Primary Examiner — Susan Bennett Hattan

Assistant Examiner — Marie Fast Horse

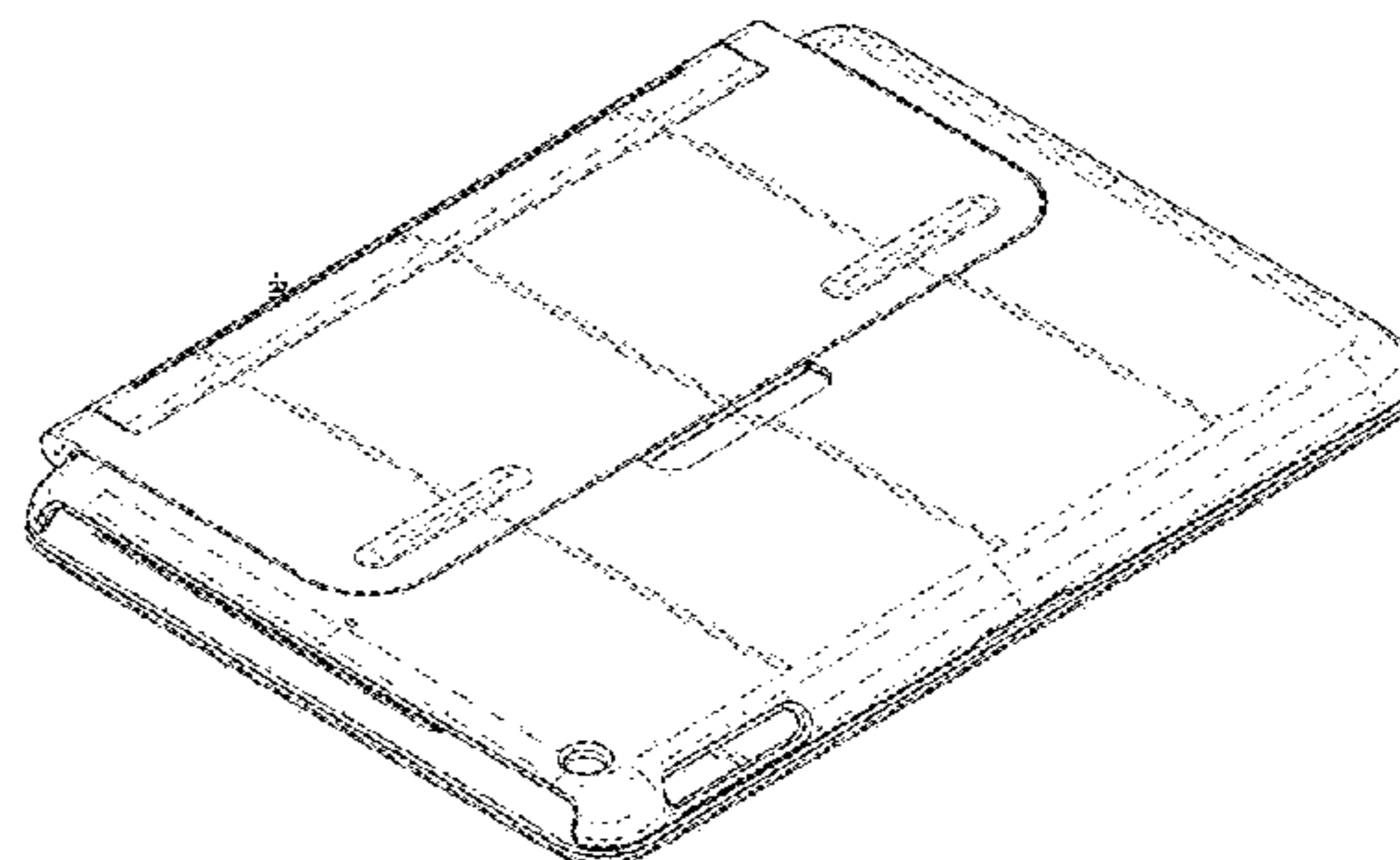
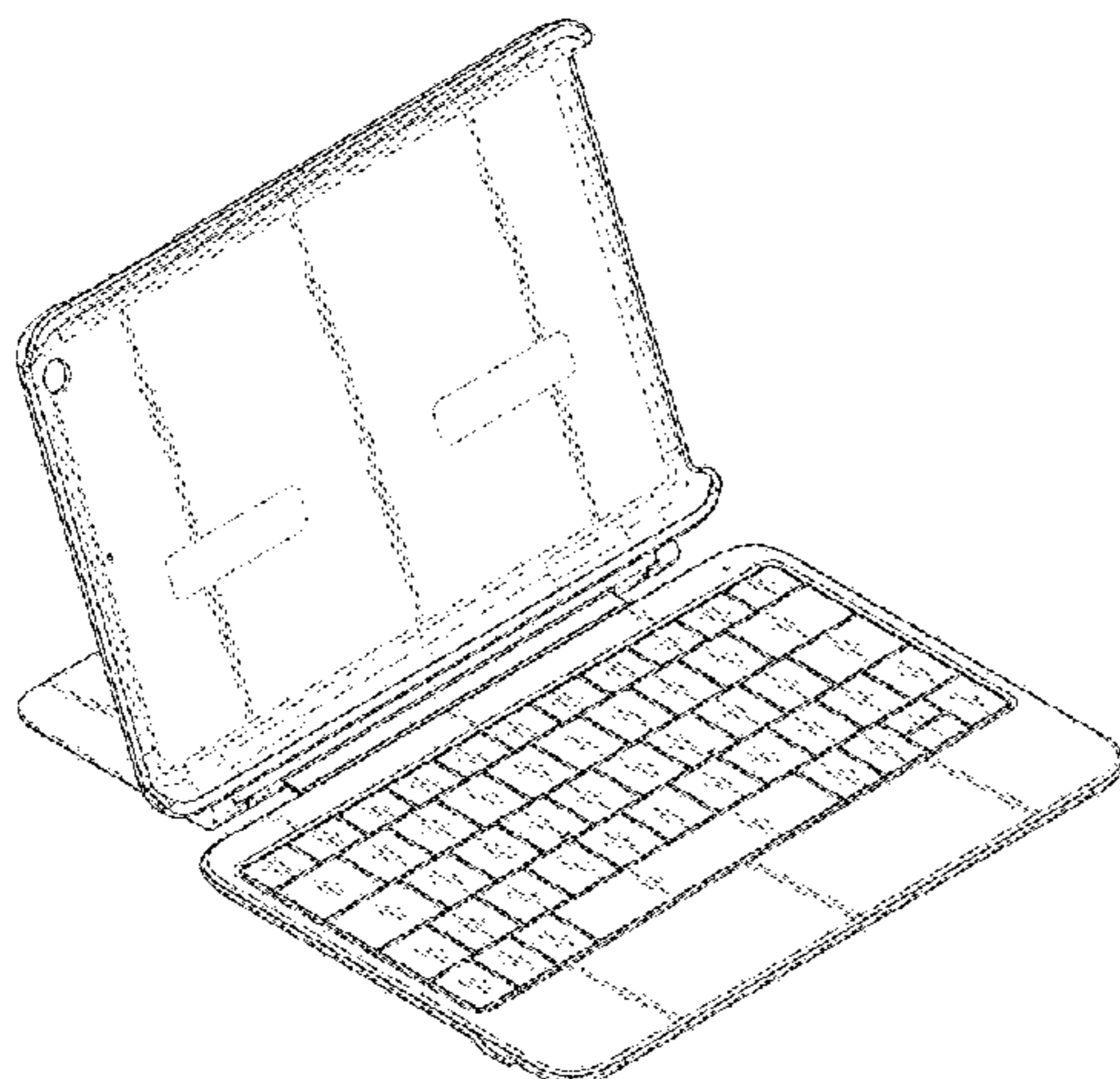
(57) **CLAIM**

The ornamental design for a combined wireless keyboard and case for a portable electronic device, as shown and described.

DESCRIPTION

FIG. 1 is a front perspective view of a wireless keyboard and case for a portable electronic device showing our new design, shown in an open position for use;
FIG. 2 is a back perspective view thereof;
FIG. 3 is a front view thereof;
FIG. 4 is a back view thereof;
FIG. 5 is a side view thereof;
FIG. 6 is another side view thereof;
FIG. 7 is a top view thereof;
FIG. 8 is a bottom view thereof;
FIG. 9 is a front perspective view of the article shown in FIG. 1, shown in a closed position for use;
FIG. 10 is a back perspective view thereof;
FIG. 11 is a front view thereof;
FIG. 12 is a back view thereof;
FIG. 13 is a side view thereof;
FIG. 14 is another side view thereof;
FIG. 15 is a top view thereof; and,
FIG. 16 is a bottom view thereof.

(Continued)



The broken lines in the drawings depict parts of the combined wireless keyboard and case for a portable electronic device that form no part of the claim.

1 Claim, 16 Drawing Sheets

(56) **References Cited**

U.S. PATENT DOCUMENTS

2011/0267757	A1*	11/2011	Probst	G06F 1/1616 361/679.09
2012/0224316	A1*	9/2012	Shulenberger	G06F 1/1628 361/679.09
2013/0201625	A1*	8/2013	Liang	G06F 1/1683 361/679.55
2013/0279096	A1*	10/2013	Gengler	H05K 7/00 361/679.01
2014/0071605	A1*	3/2014	Bates	G06F 1/1662 361/679.09
2014/0340843	A1*	11/2014	Huang	G06F 1/162 361/679.55
2015/0296060	A1*	10/2015	Gu	G06F 1/1633 455/575.4
2015/0296068	A1*	10/2015	Chin	G06F 1/1628 455/575.8

* cited by examiner

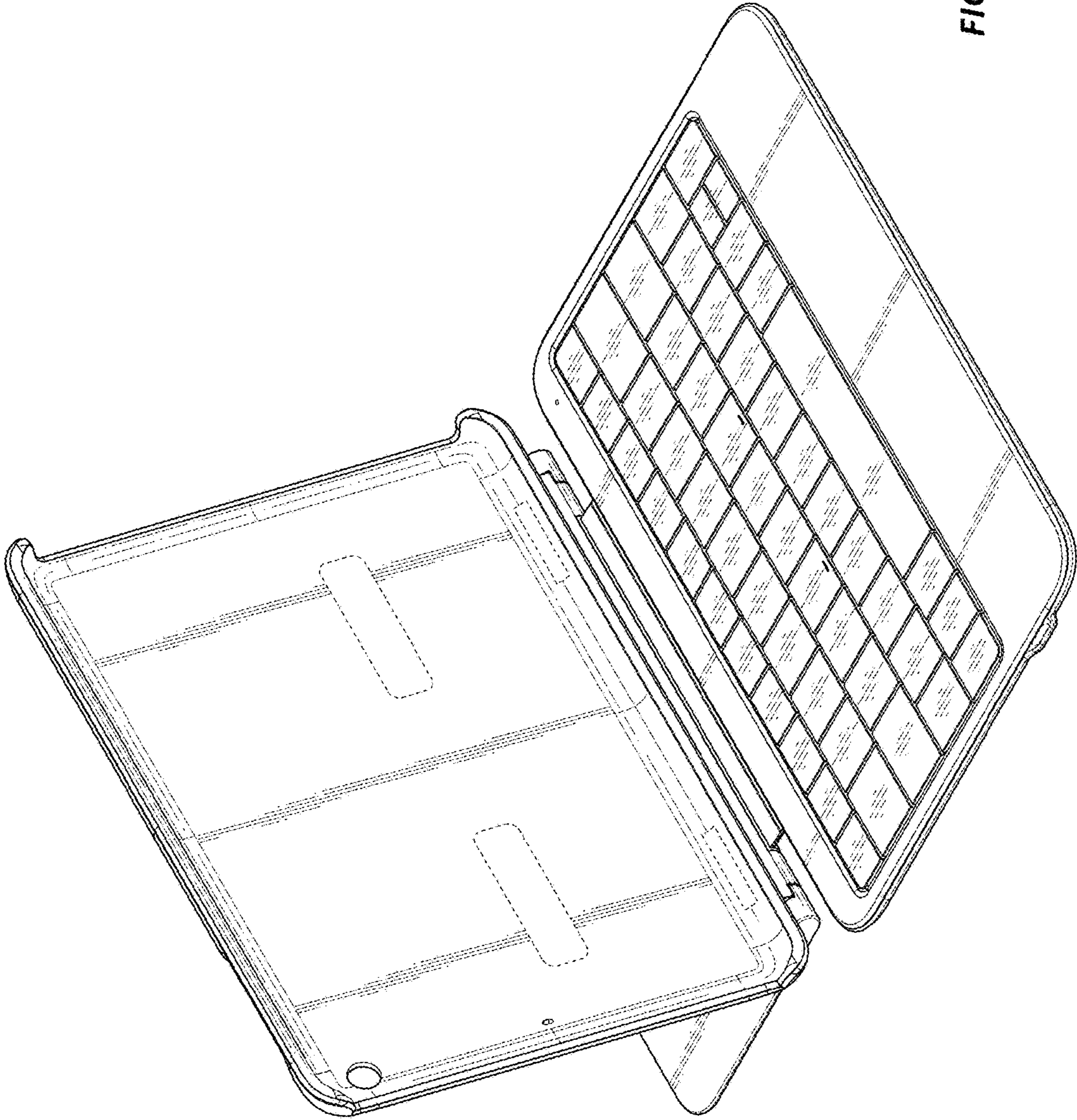


FIG. 1

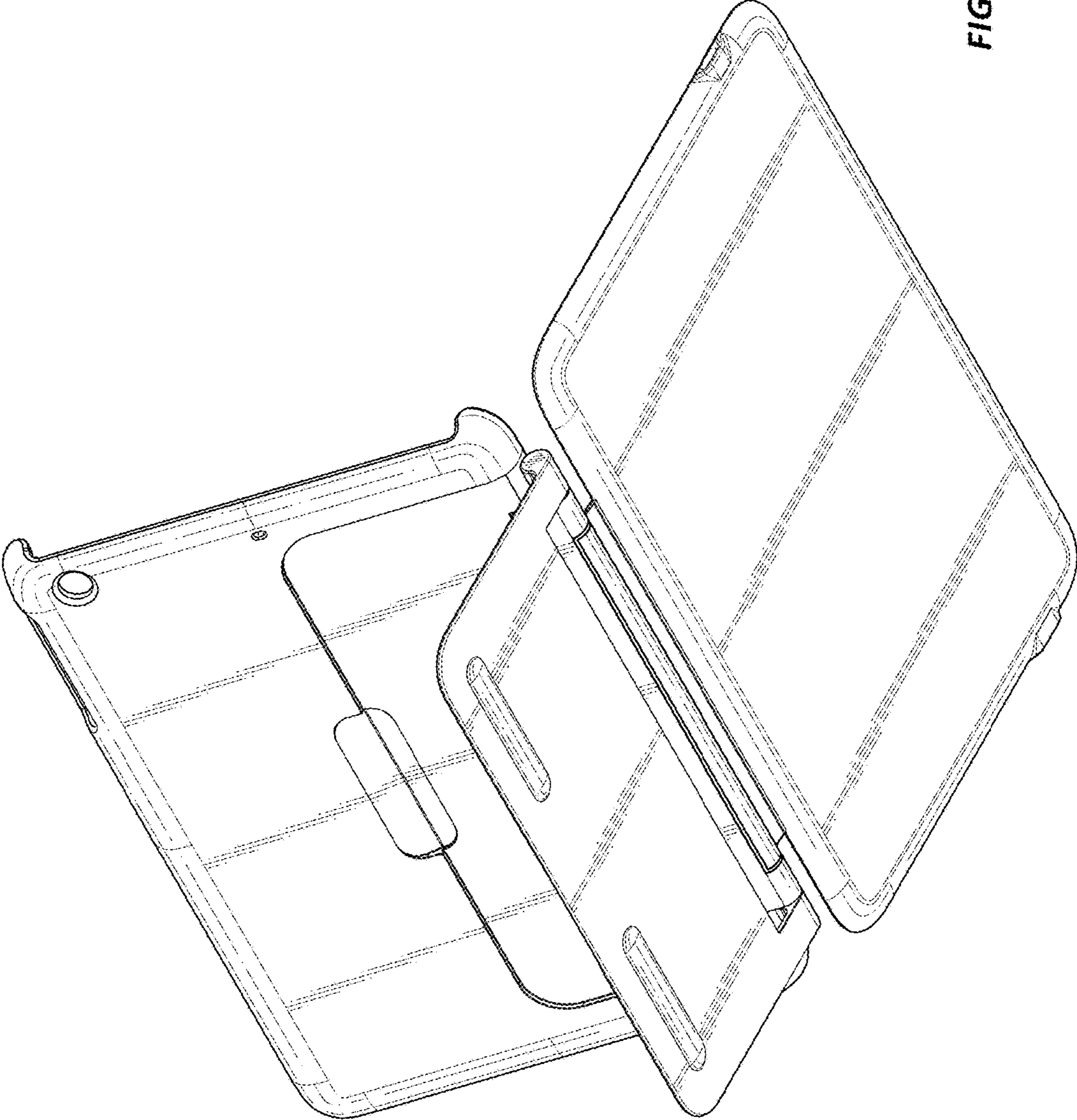


FIG. 2

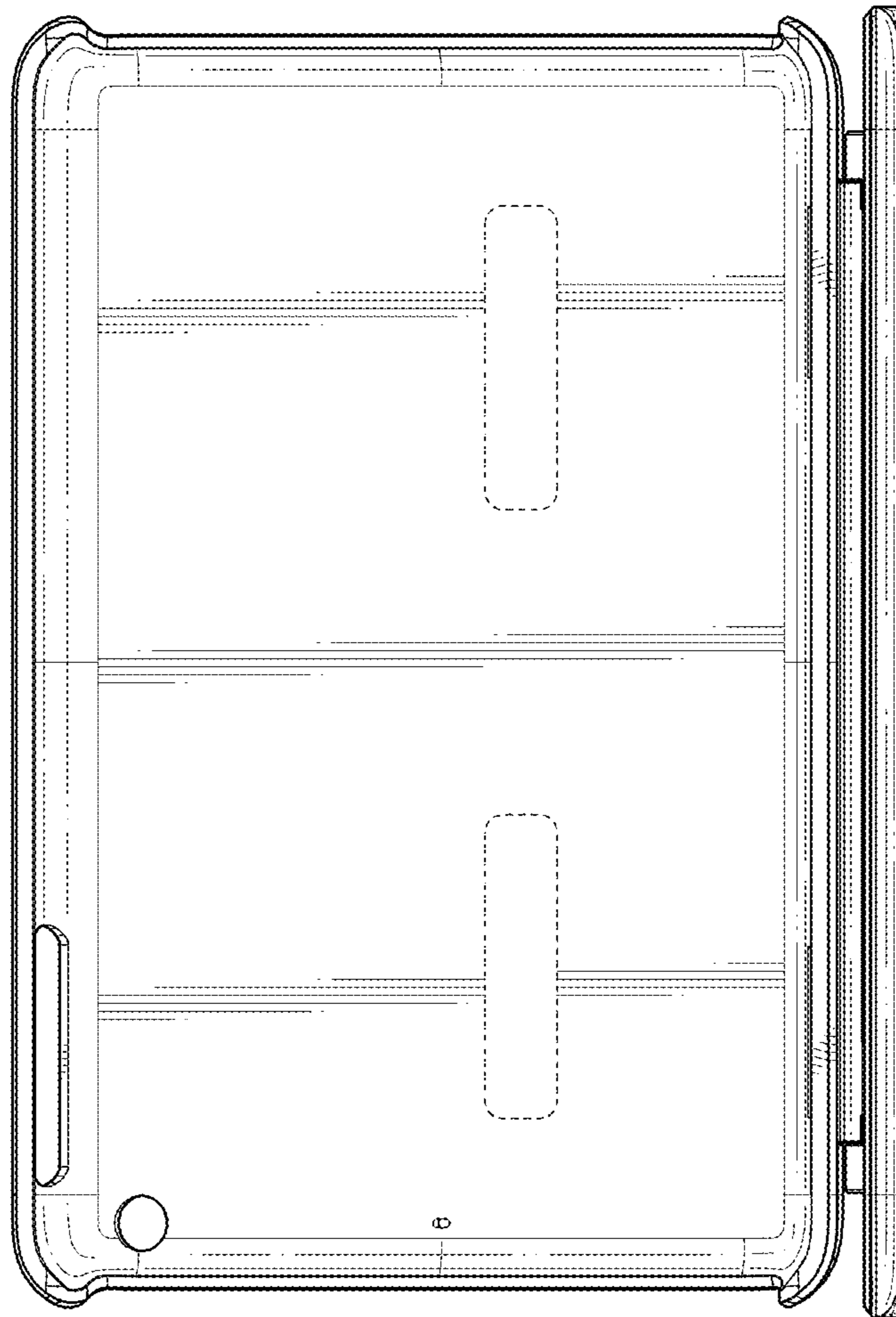


FIG. 3

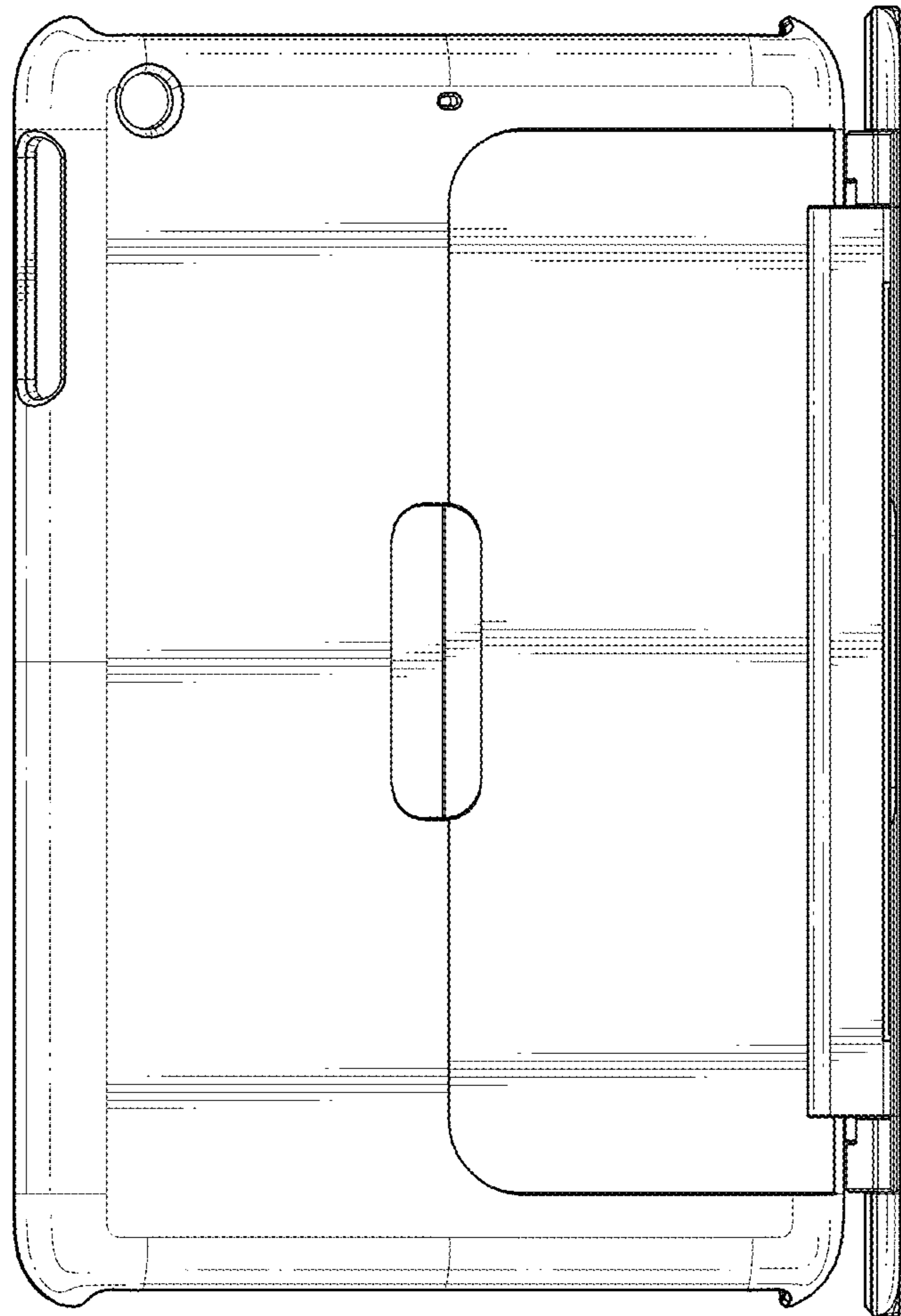


FIG. 4

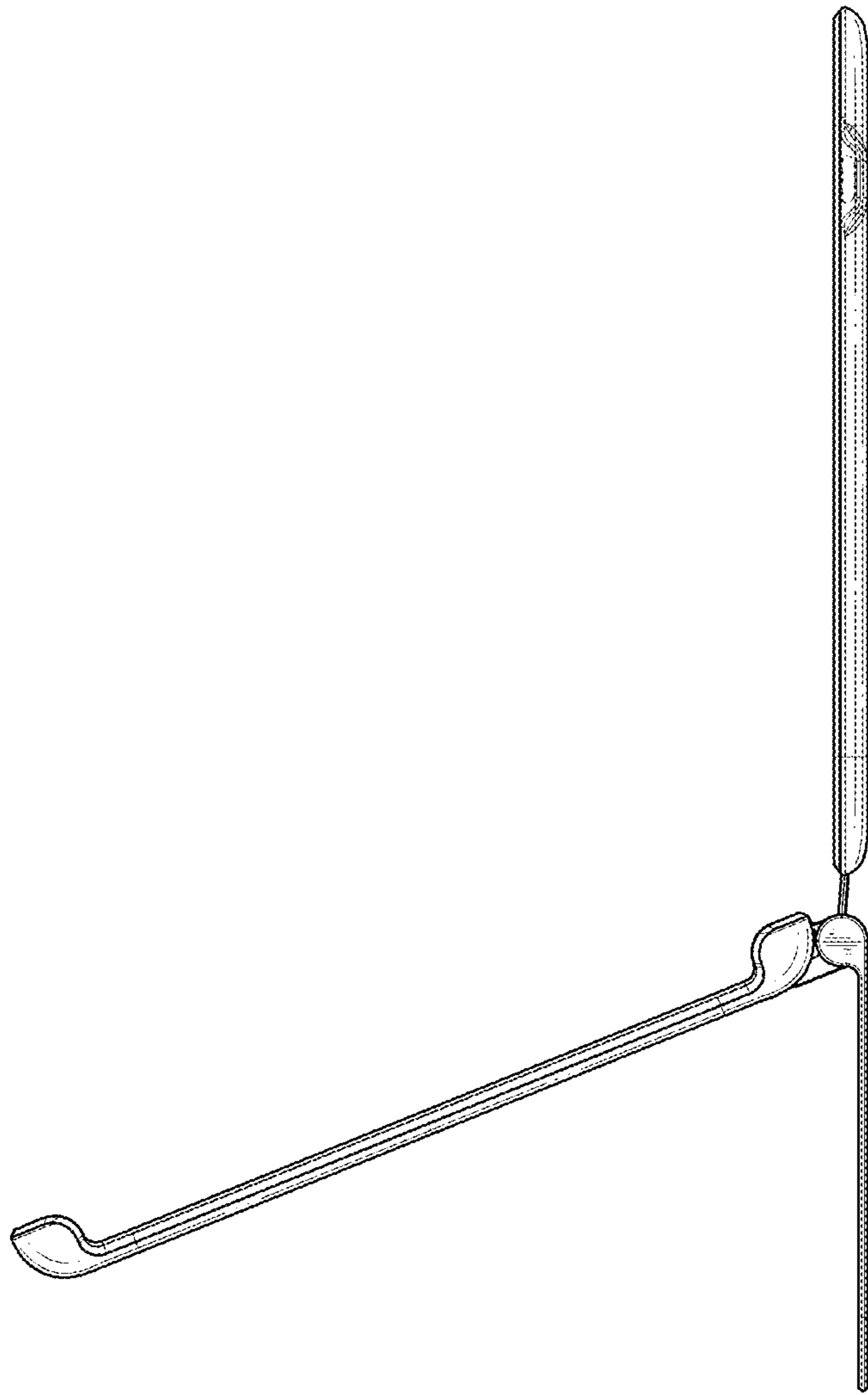


FIG. 5

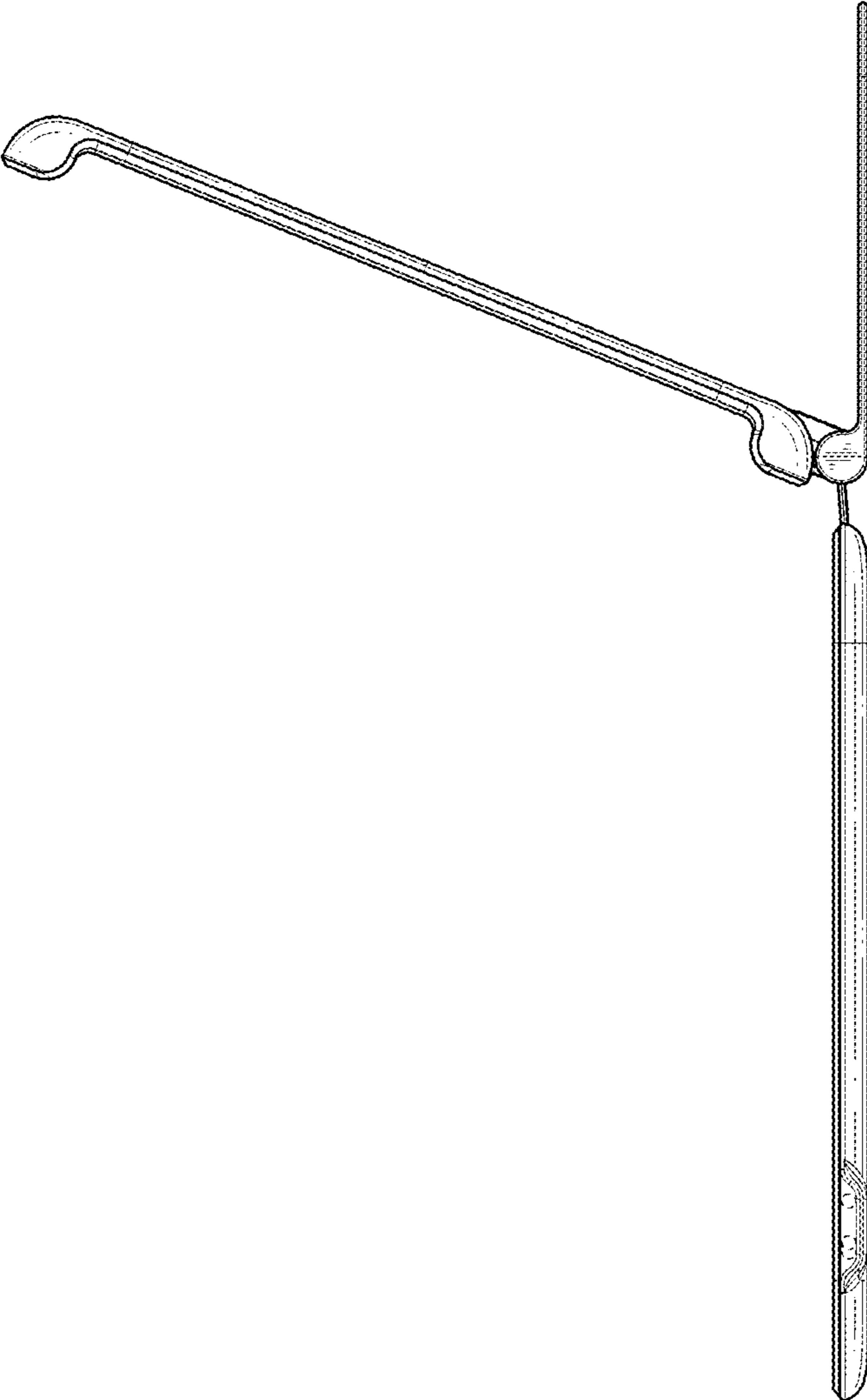


FIG. 6

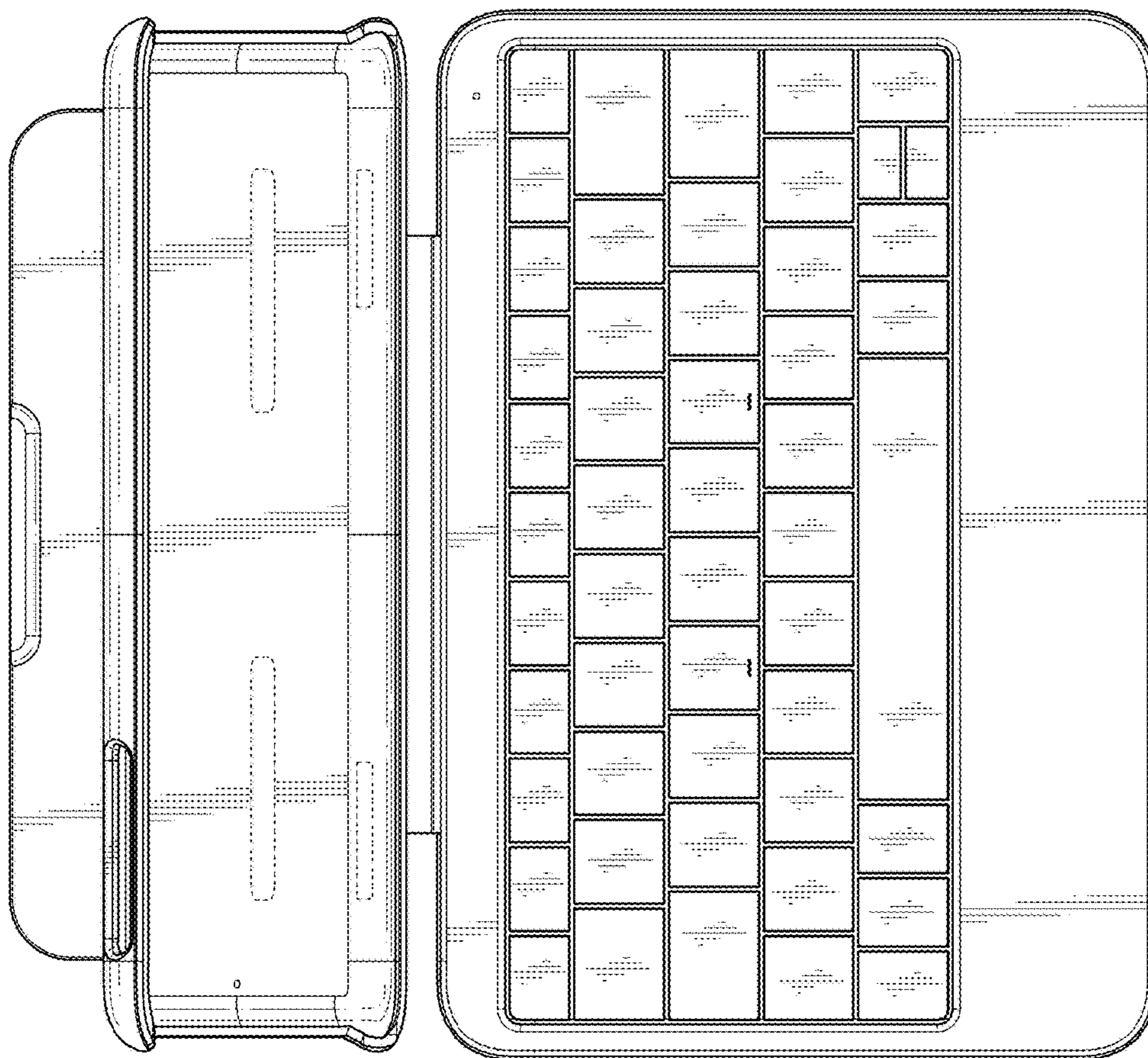


FIG. 7

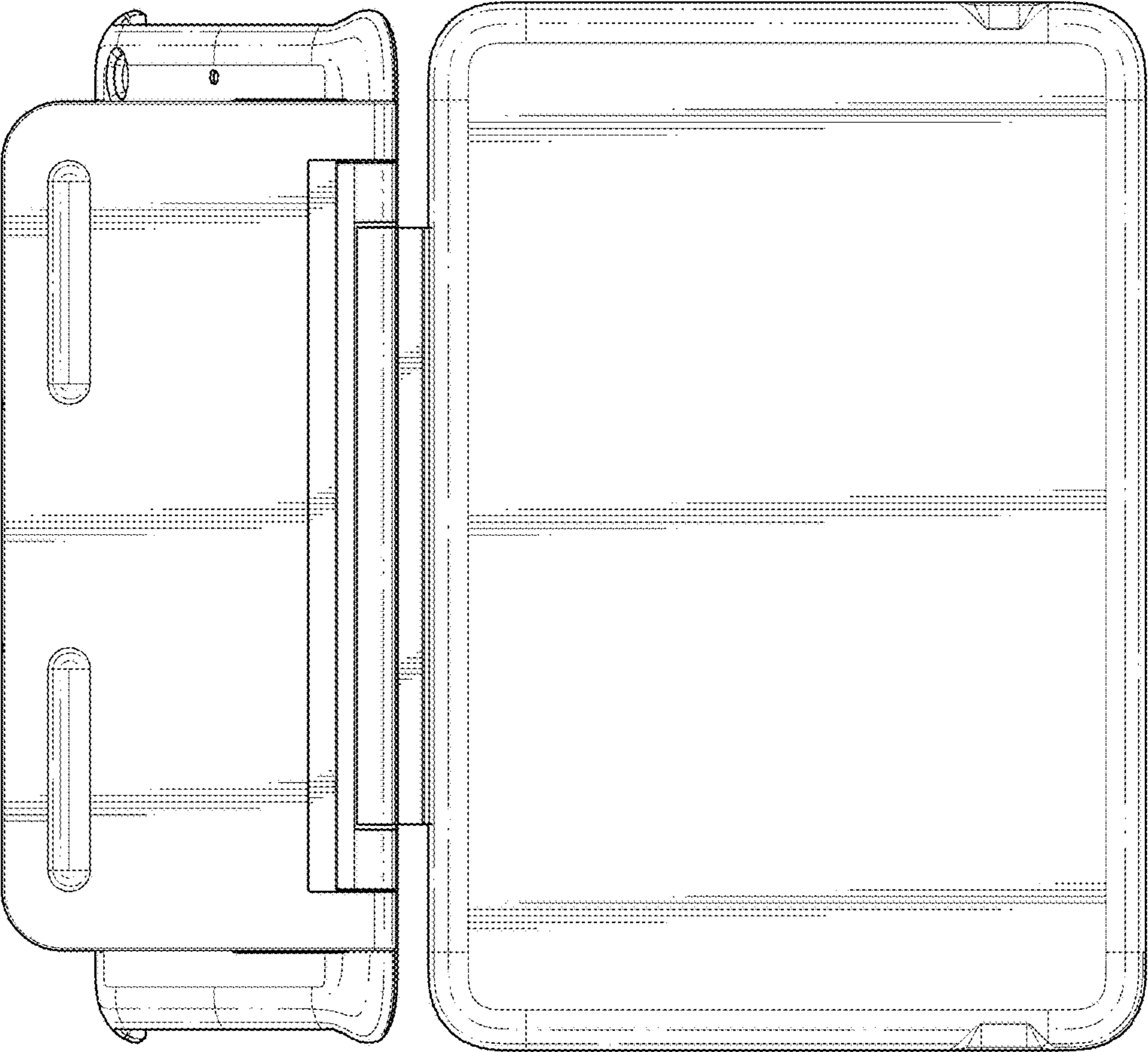


FIG. 8

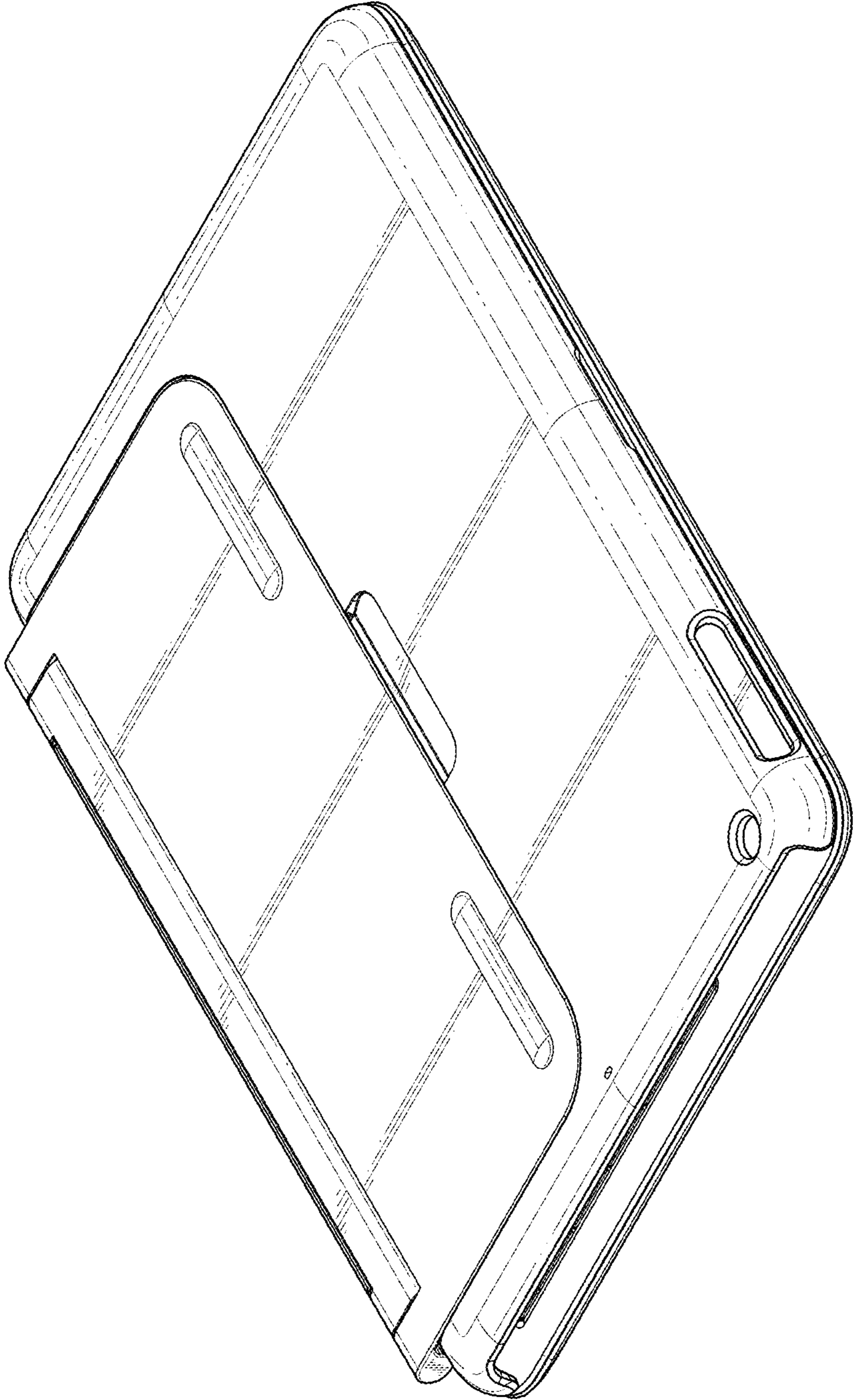


FIG. 9

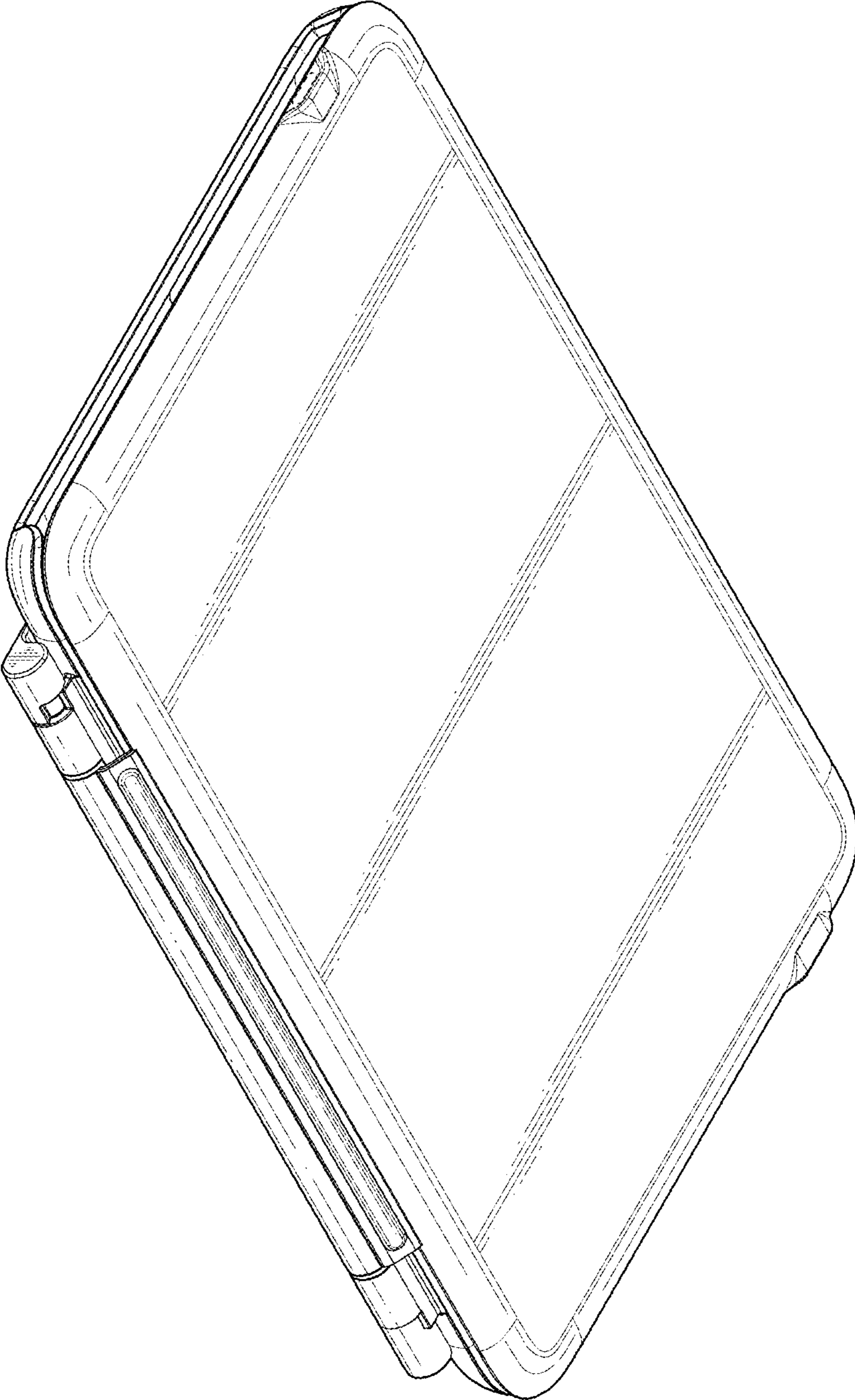


FIG. 10

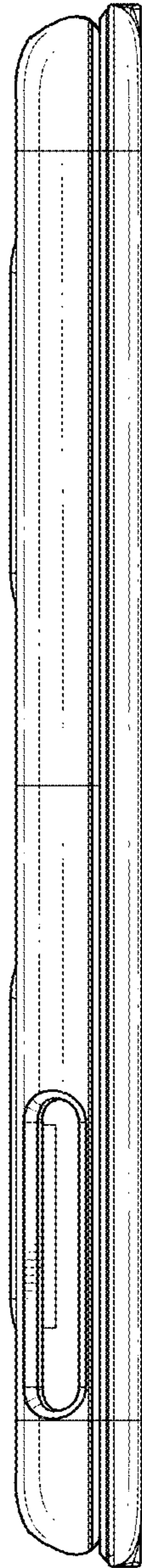


FIG. 11

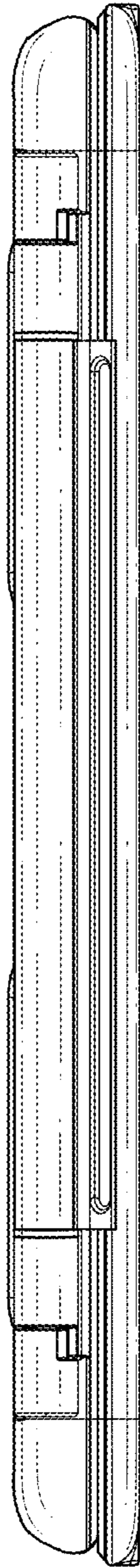


FIG. 12

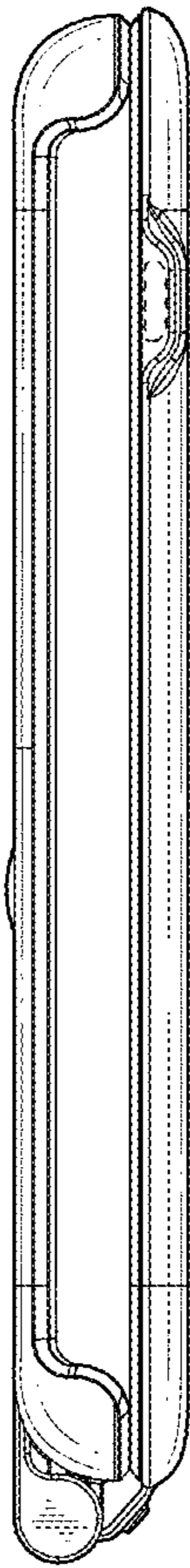


FIG. 13

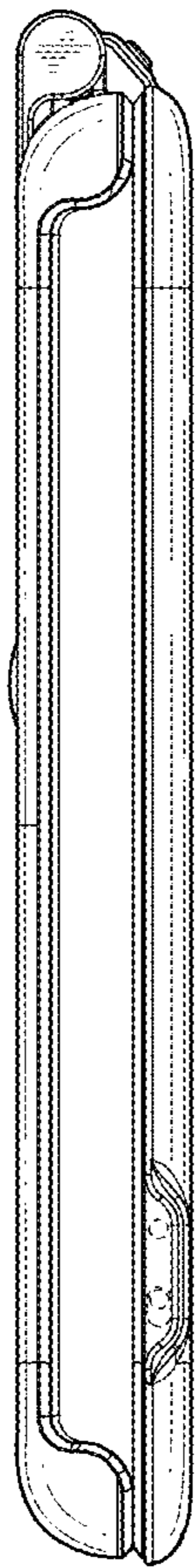


FIG. 14

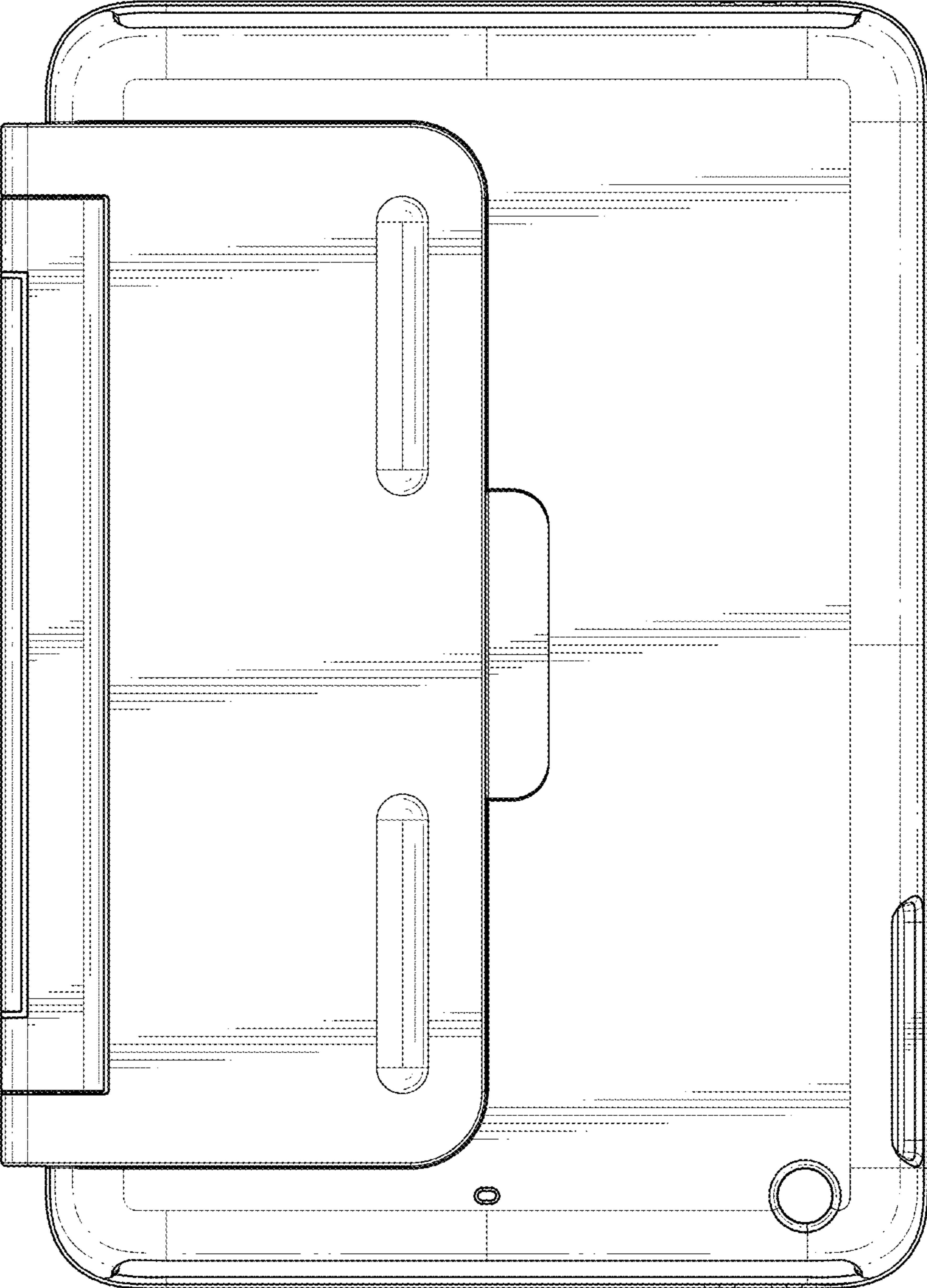


FIG. 15

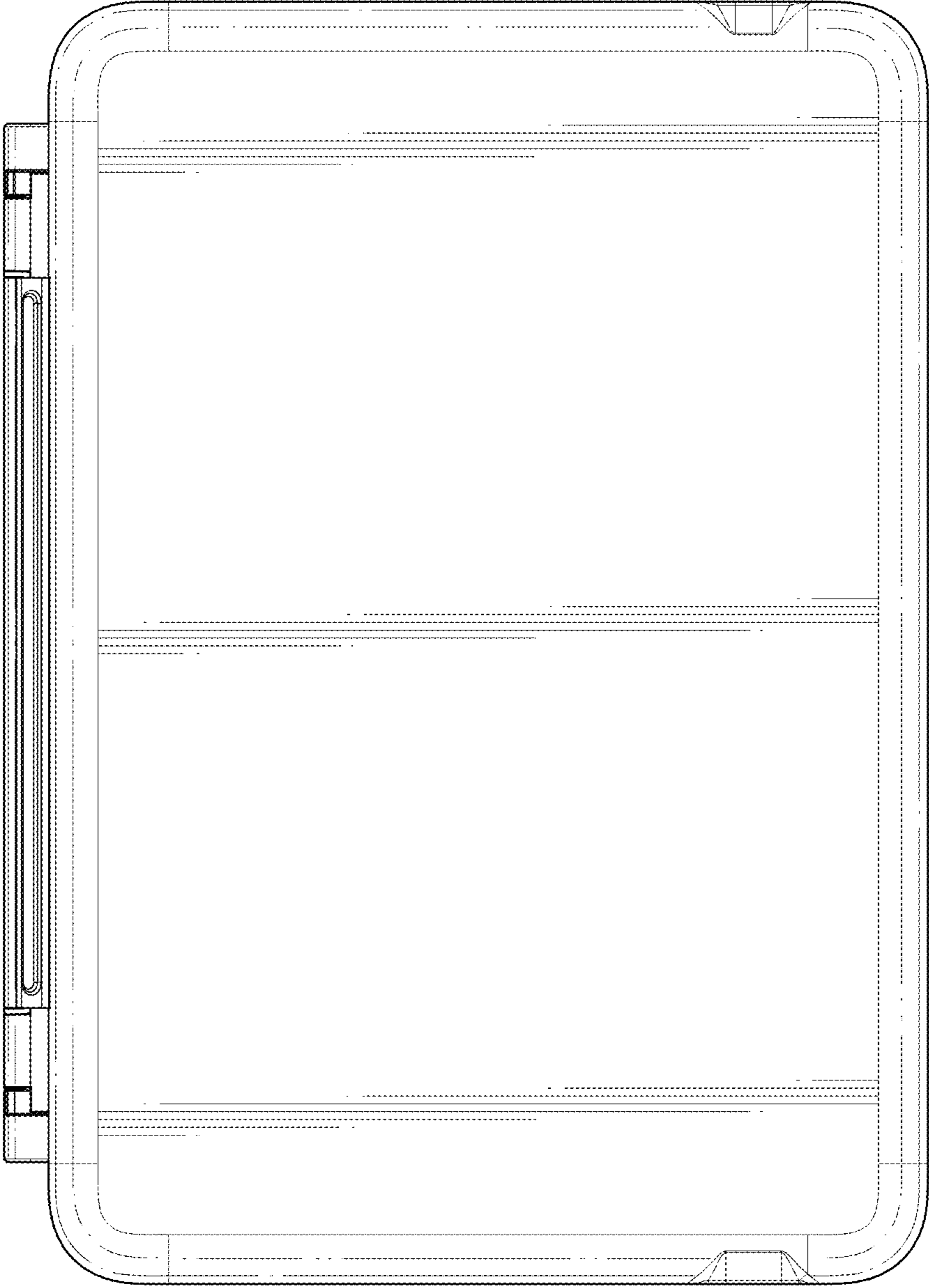


FIG. 16