



US00D779493S

(12) **United States Design Patent** (10) **Patent No.:** **US D779,493 S**
Eliyahu (45) **Date of Patent:** **** Feb. 21, 2017**

(54) **USB UNIVERSAL DOCKING STATION**
(71) Applicant: **Nexark, Inc.**, Los Angeles, CA (US)
(72) Inventor: **Menachem Eliyahu**, Los Angeles, CA (US)
(73) Assignee: **NEXARK, INC.**, Los Angeles, CA (US)
(**) Term: **15 Years**
(21) Appl. No.: **29/538,299**
(22) Filed: **Sep. 2, 2015**
(51) **LOC (10) Cl.** **14-02**
(52) **U.S. Cl.**
USPC **D14/434; D14/217**
(58) **Field of Classification Search**
USPC D14/432, 433, 434, 447, 451, 452, D14/473-484, 140, 142, 149, 217, D14/240, 251-253, 299; D21/313; D13/107, 108; D6/310, 312, 682, 682.1; D19/75, 86, 88, 90, 91, 95; D16/242, D16/245; D24/127, 164, 167, 169, 216, D24/227
CPC H04M 1/00; H04M 1/04; H04M 1/06; H04M 1/11; F16M 11/04; F16M 11/041; B60R 11/02; B60R 11/0241; B60R 11/0258; B60R 11/0252; H04B 1/3877; H01R 31/06; H02J 7/0044; G06F 1/1613; G06F 1/1632
See application file for complete search history.

(56) **References Cited**

U.S. PATENT DOCUMENTS

D502,913 S * 3/2005 Fukami D13/108
D556,682 S * 12/2007 Ahlgren D13/108
D557,209 S * 12/2007 Ahlgren D13/108
D623,132 S * 9/2010 Yano D13/108
D631,869 S * 2/2011 Yamamoto D14/217
D642,121 S * 7/2011 Lee D13/108
D647,525 S * 10/2011 Seto D14/434

D649,932 S * 12/2011 Symons D13/108
D657,741 S * 4/2012 Fahrendorff D13/108
D661,309 S * 6/2012 Murrer D14/447
D672,350 S * 12/2012 Gioscia D14/434
D692,009 S * 10/2013 Ashida D14/447
D699,368 S * 2/2014 Quilter D24/186
D700,614 S * 3/2014 Hamblet D14/447
D704,633 S * 5/2014 Ryu D13/108
D705,158 S * 5/2014 Gengler D13/107
D709,075 S * 7/2014 Miniard D14/447
D726,187 S * 4/2015 Young D14/434
D757,730 S * 5/2016 Fletcher D14/434
2007/0217145 A1 * 9/2007 Sung G06F 1/1632
361/679.41
2012/0001048 A1 * 1/2012 Takahashi H04M 1/04
248/346.03
2012/0188687 A1 * 7/2012 Yamamoto H01R 31/06
361/679.01
2014/0201414 A1 * 7/2014 Keegan G06F 13/4081
710/303
2015/0036283 A1 * 2/2015 Suckle G06F 1/1632
361/679.43

(Continued)

Primary Examiner — Susan Bennett Hattan
Assistant Examiner — Marie Fast Horse
(74) *Attorney, Agent, or Firm* — Leason Ellis LLP.

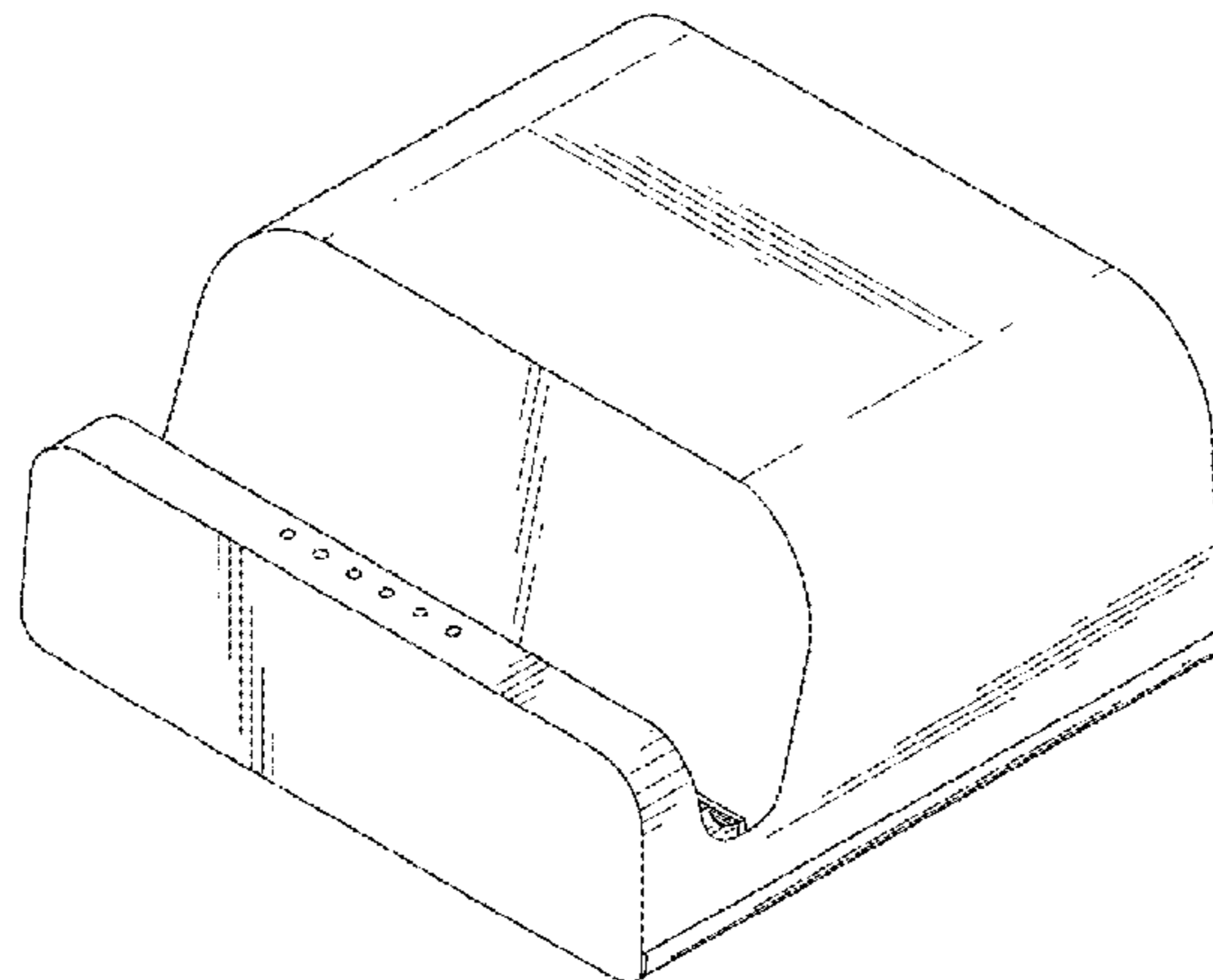
(57) **CLAIM**

I claim the novel design for a USB universal docking station, as shown and described.

DESCRIPTION

FIG. 1 a top, front right-side perspective of my new design for a USB universal docking station, FIG. 2 a left-side elevation thereof, FIG. 3 a right-side elevation thereof, FIG. 4 a front elevation thereof, FIG. 5 a rear elevation thereof, FIG. 6 a top plan view thereof; and, FIG. 7 a bottom plan view thereof. The broken lines in the drawings depict parts of the USB universal docking station that form no part of the claimed design.

1 Claim, 3 Drawing Sheets



(56)

References Cited

U.S. PATENT DOCUMENTS

2015/0373440 A1* 12/2015 Fontana H04R 1/025
381/388
2016/0204635 A1* 7/2016 Suzuki H02J 7/0044
361/679.3

* cited by examiner

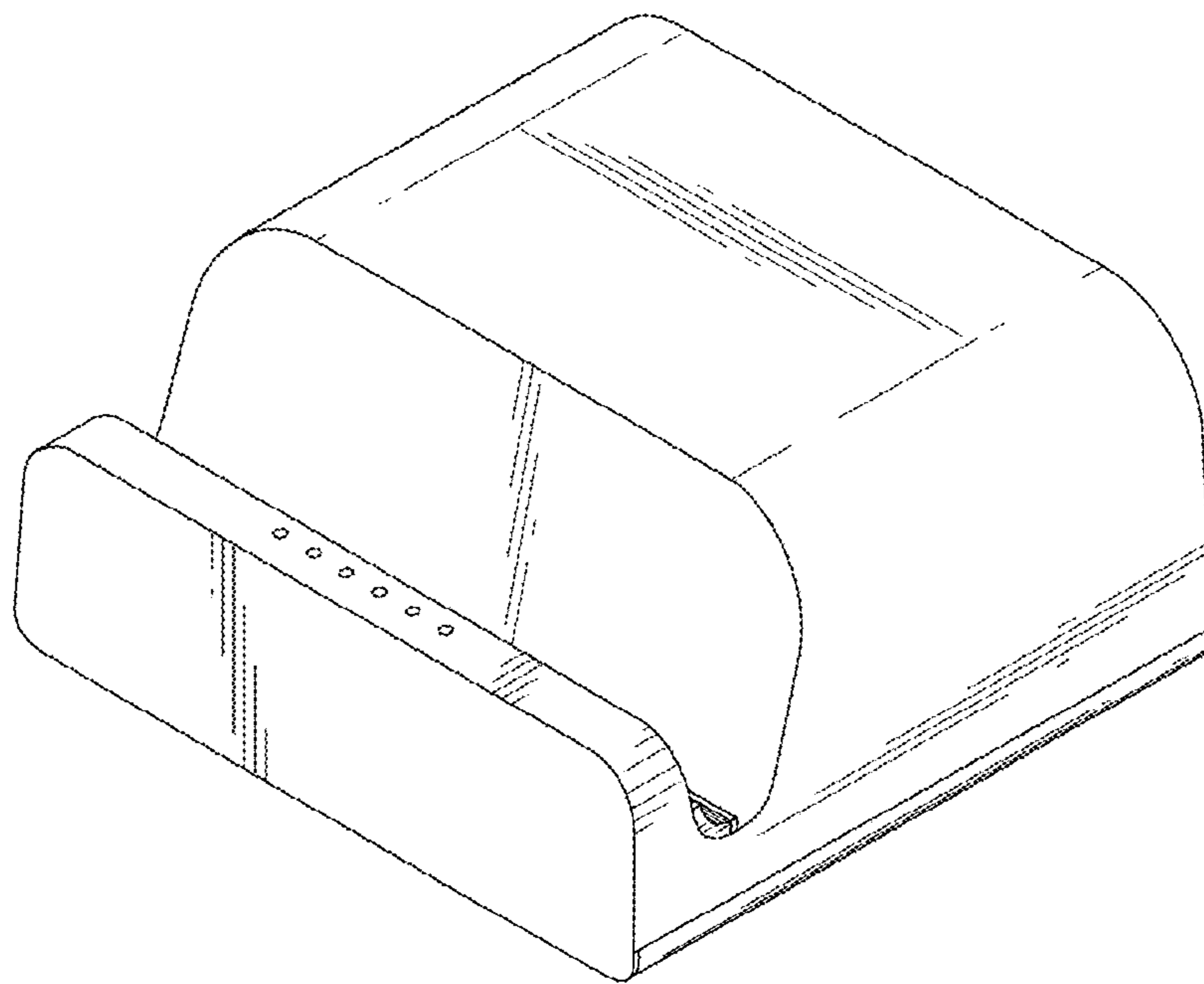


Fig. 1

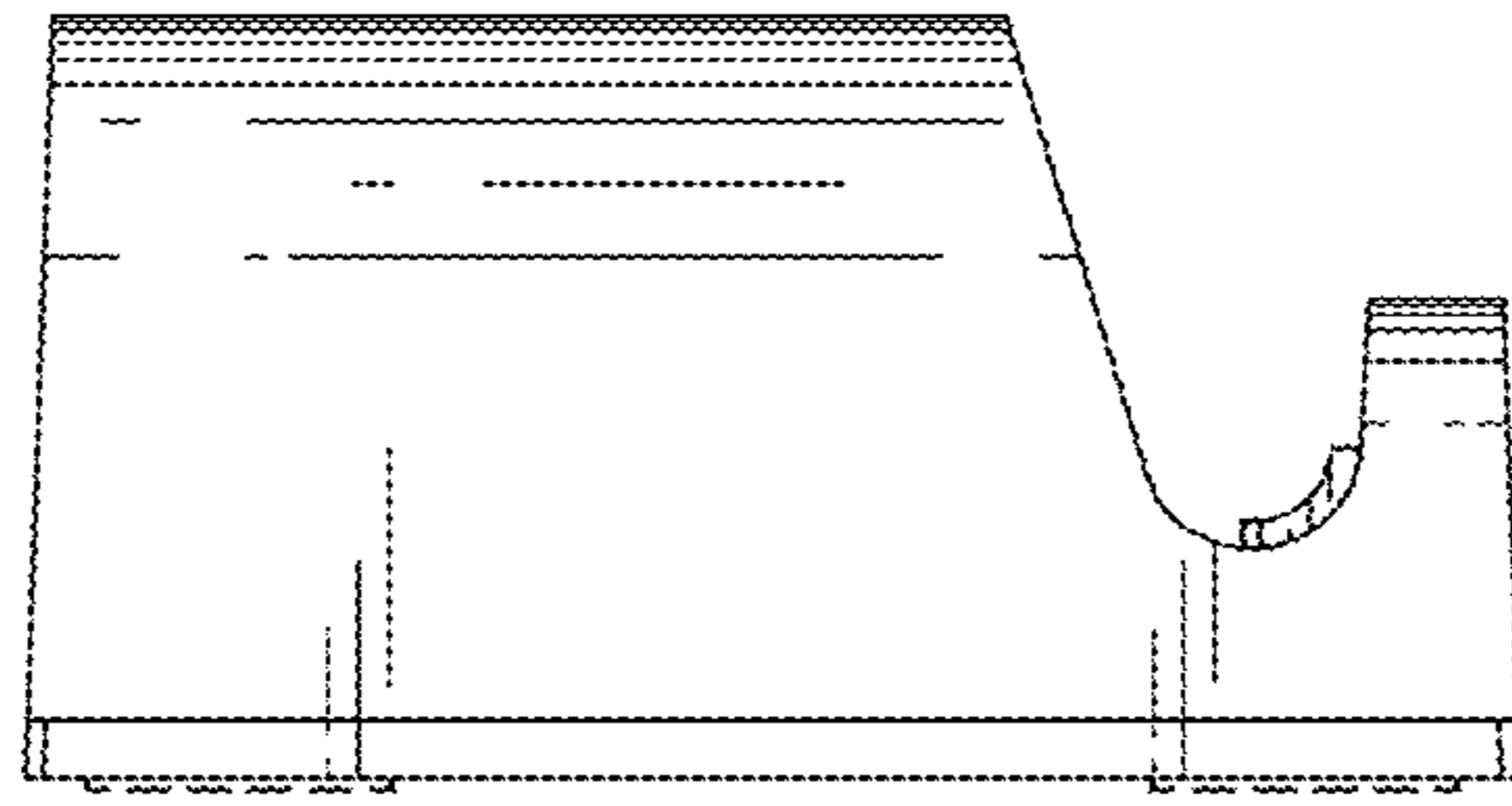


Fig. 2

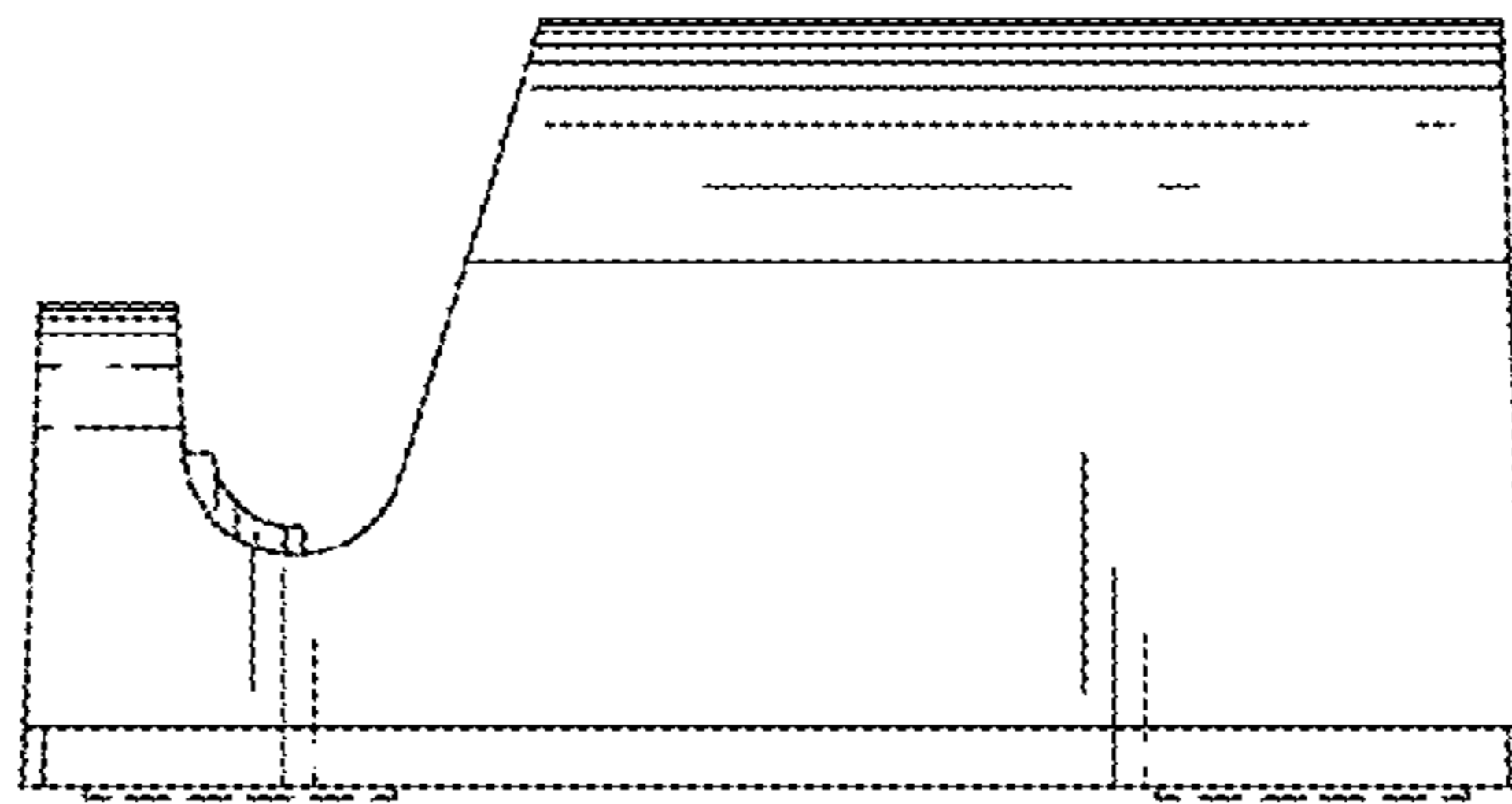


Fig. 3

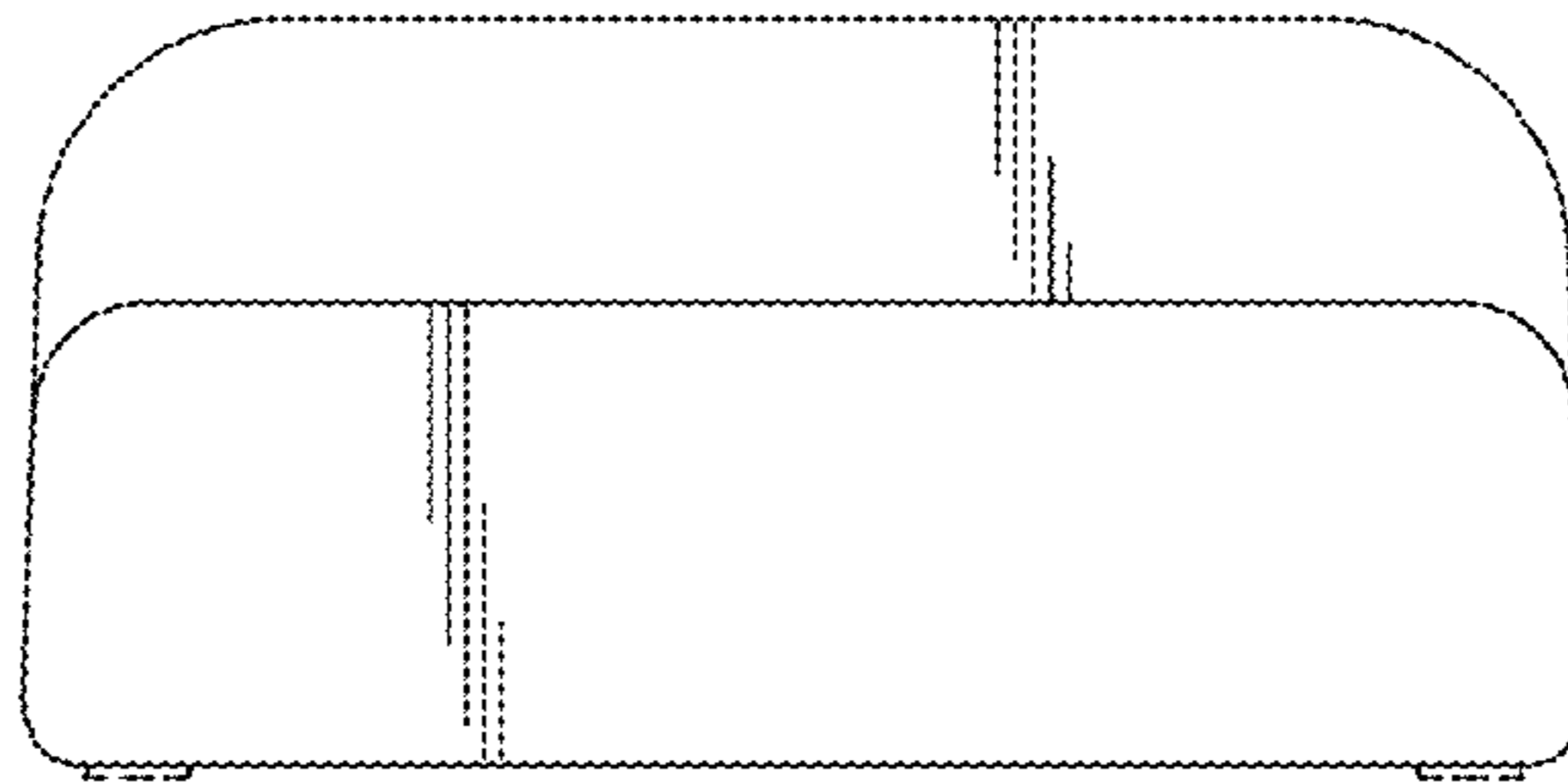


Fig. 4

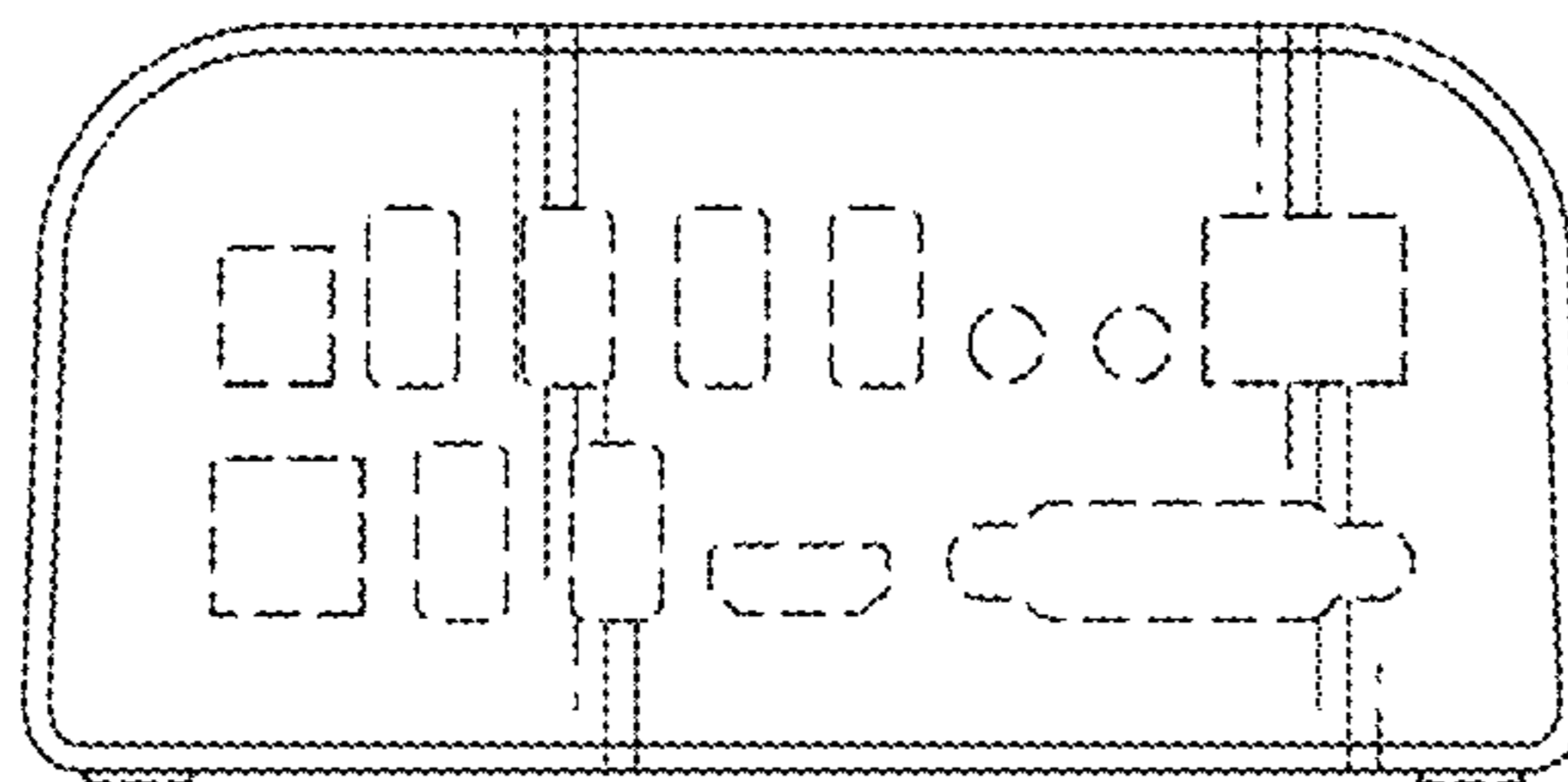


Fig. 5

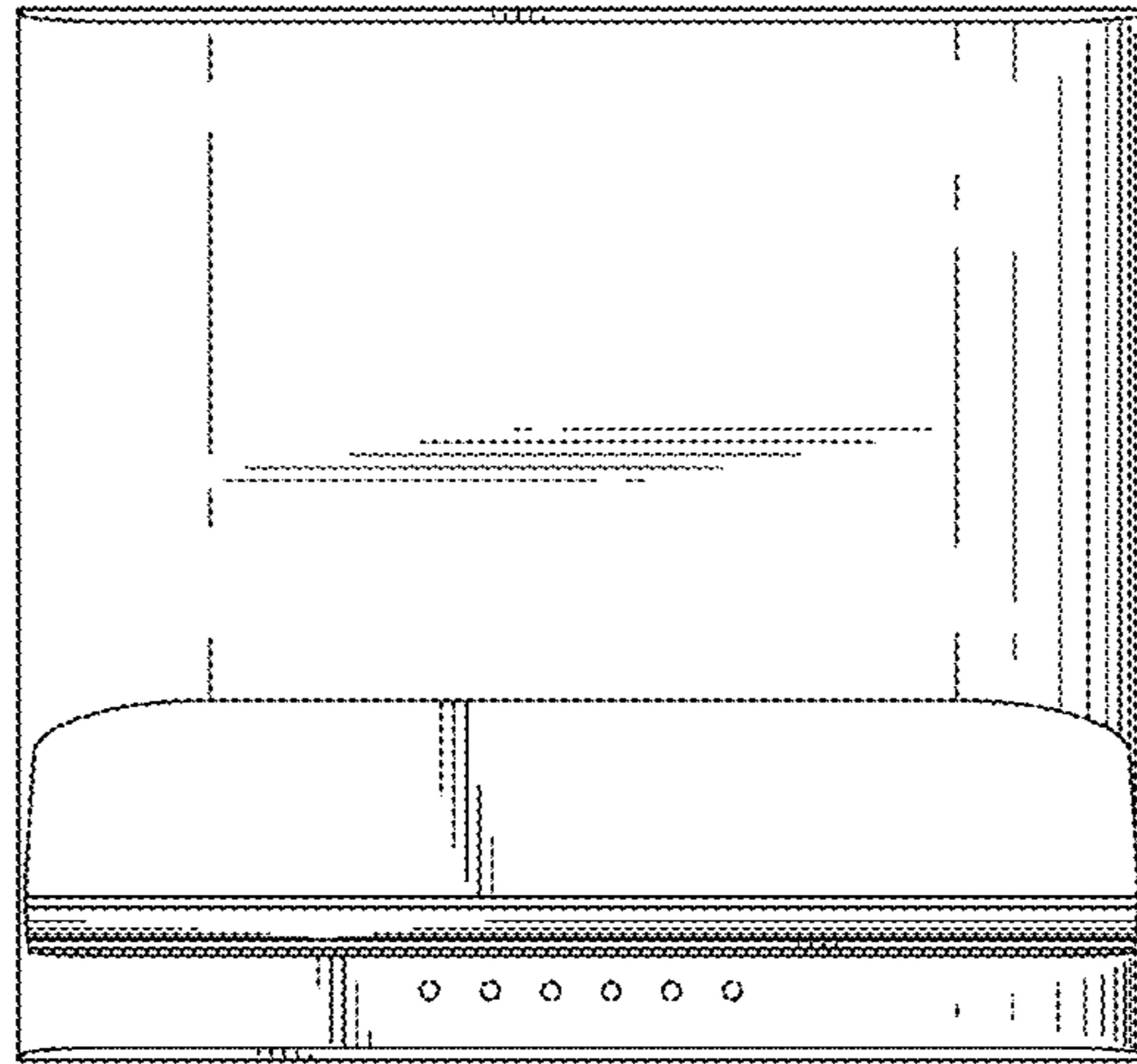


Fig. 6

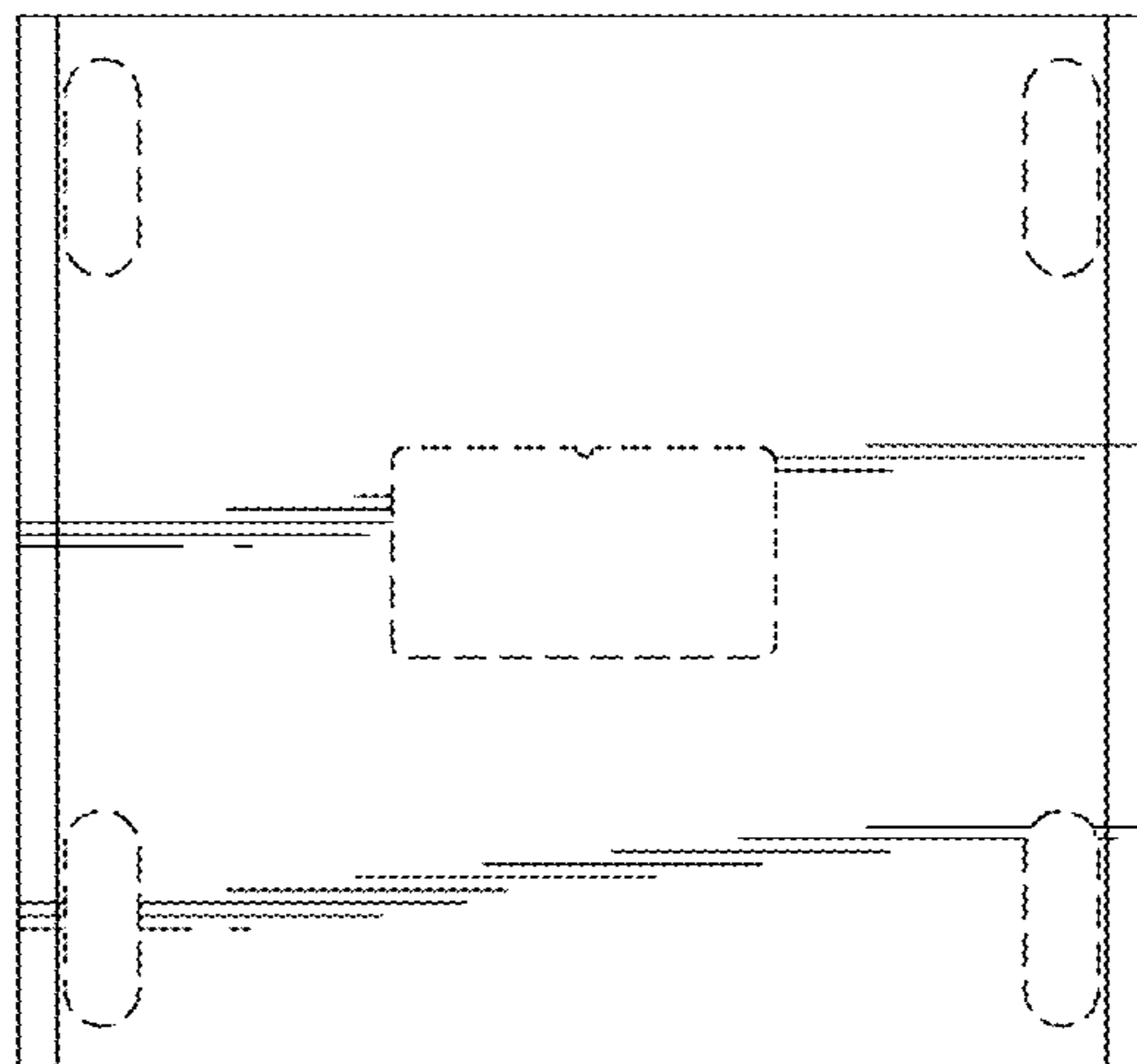


Fig. 7