



US00D779487S

(12) **United States Design Patent** (10) **Patent No.:** **US D779,487 S**  
**Rothfuß** (45) **Date of Patent:** **\*\* Feb. 21, 2017**

- (54) **INPUT DEVICE FOR A ROBOT**
- (71) Applicant: **RG Mechatronics GmbH**, Seefeld (DE)
- (72) Inventor: **Patrick Rothfuß**, Hallbergmoos (DE)
- (73) Assignee: **RG MECHATRONICS GMBH**, Seefeld (DE)
- (\*\*) Term: **14 Years**
- (21) Appl. No.: **29/485,862**
- (22) Filed: **Mar. 24, 2014**
- (51) **LOC (10) Cl.** ..... **14-02**
- (52) **U.S. Cl.**  
USPC ..... **D14/388**; D13/168
- (58) **Field of Classification Search**  
USPC ..... D14/356, 388, 398, 399, 400-402, 408, D14/426, 428, 432, 433, 436.439, 454, D14/458, 299, 218, 496, 511, 314, D14/320-322, 336, 337, 375; D13/162, D13/164, 168, 184, 123, 158; D10/49, D10/104.1, 106.1, 106.5, 106.95; 455/556.1, 566, 575.1, 575.3, 575.4; 348/706; D18/4.4, 4.5, 50; D24/107, 133, D24/158, 170, 185, 231; 340/4.3, 4.11, 340/4.34, 42, 12.22, 12.23, 12.24, 12.29, 340/12.3, 12.55, 13.2, 13.21, 13.24, 340/539.12, 995.16, 426.13, 815.6; 700/245, 257, 261, 900  
CPC ..... G06N 3/008; G06F 2203/0381; G06F 17/5095; G06F 3/04845; B62D 57/032; B25J 9/1661; B25J 9/664; B25J 3/08; G05D 1/0274; G05D 1/0255; G05D 1/0246; G05B 19/425; G05B 2219/45083  
See application file for complete search history.

- (56) **References Cited**  
U.S. PATENT DOCUMENTS  
D58,681 S \* 8/1921 Peiper et al. .... D13/168  
D184,498 S \* 2/1959 Tevebaugh ..... D13/168

- D252,567 S \* 8/1979 Harbage ..... D13/168
- D286,676 S \* 11/1986 McJunkin ..... D24/133
- D307,138 S \* 4/1990 Knowles ..... D14/428
- D308,865 S \* 6/1990 Weaver ..... D14/429
- D343,170 S \* 1/1994 Gilpin ..... D14/428
- D349,491 S \* 8/1994 Copper ..... D14/388
- D380,208 S \* 6/1997 Taylor ..... D14/388
- D385,537 S \* 10/1997 Walker ..... D14/388
- D385,539 S \* 10/1997 Taylor ..... D14/388
- D392,282 S \* 3/1998 Ahearn ..... D14/346
- D446,524 S \* 8/2001 Bontly ..... D14/426
- D473,526 S \* 4/2003 Israel ..... D13/168
- D529,610 S \* 10/2006 Ido ..... D24/143
- D558,206 S \* 12/2007 Watanabe ..... D14/428
- D609,339 S \* 2/2010 Myers ..... D24/133
- D662,478 S \* 6/2012 Rantala ..... D13/168
- D692,892 S \* 11/2013 Mistkawi ..... D14/426
- D713,528 S \* 9/2014 Li ..... D24/158
- D736,719 S \* 8/2015 Burt ..... D13/168

(Continued)

*Primary Examiner* — Susan Bennett Hattan  
*Assistant Examiner* — Marie Fast Horse  
(74) *Attorney, Agent, or Firm* — Carter, DeLuca, Farrell & Schmidt, LLP

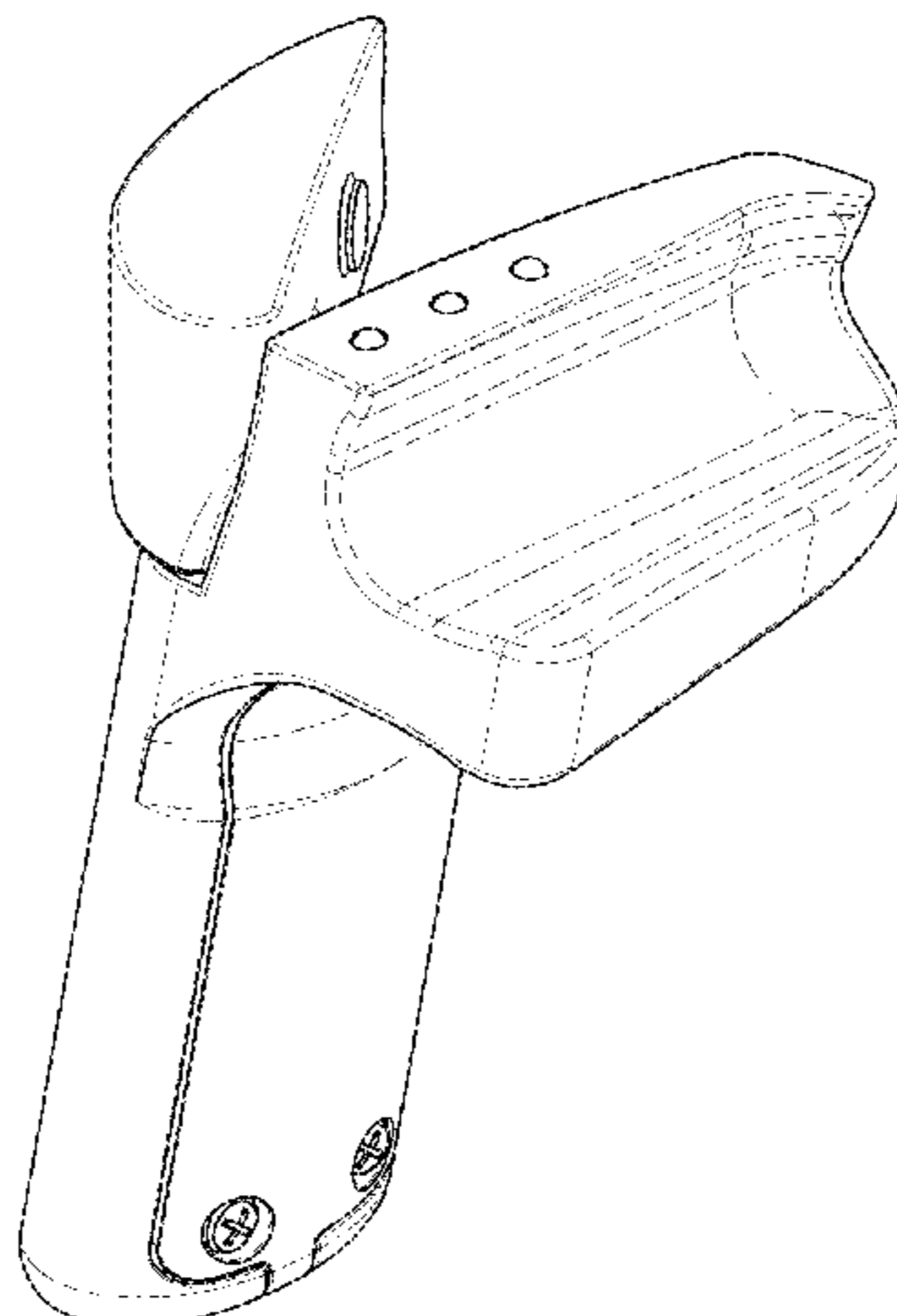
(57) **CLAIM**

The ornamental design for an input device for a robot, as shown and described.

**DESCRIPTION**

FIG. 1 is a rear, perspective view of an input device for a robot in accordance with an embodiment of the present design;  
FIG. 2 is a right side view of the input device for a robot of FIG. 1;  
FIG. 3 is a left side view of input device for a robot of FIG. 1;  
FIG. 4 is a top view of the input device for a robot of FIG. 1;  
FIG. 5 is a bottom view of the input device for a robot of FIG. 1;  
FIG. 6 is a front view of the input device for a robot of FIG. 1; and,  
FIG. 7 is a rear view of the input device for a robot of FIG. 1.

(Continued)



The broken lines in the drawings depict parts of the input device for a robot that form no part of the claim.

**1 Claim, 7 Drawing Sheets**

(56) **References Cited**

U.S. PATENT DOCUMENTS

2003/0018411	A1*	1/2003	Suita .....	G05B 19/409 700/245
2014/0107471	A1*	4/2014	Haider .....	A61B 17/14 600/424
2015/0359597	A1*	12/2015	Gombert .....	A61B 19/2203 606/130

\* cited by examiner

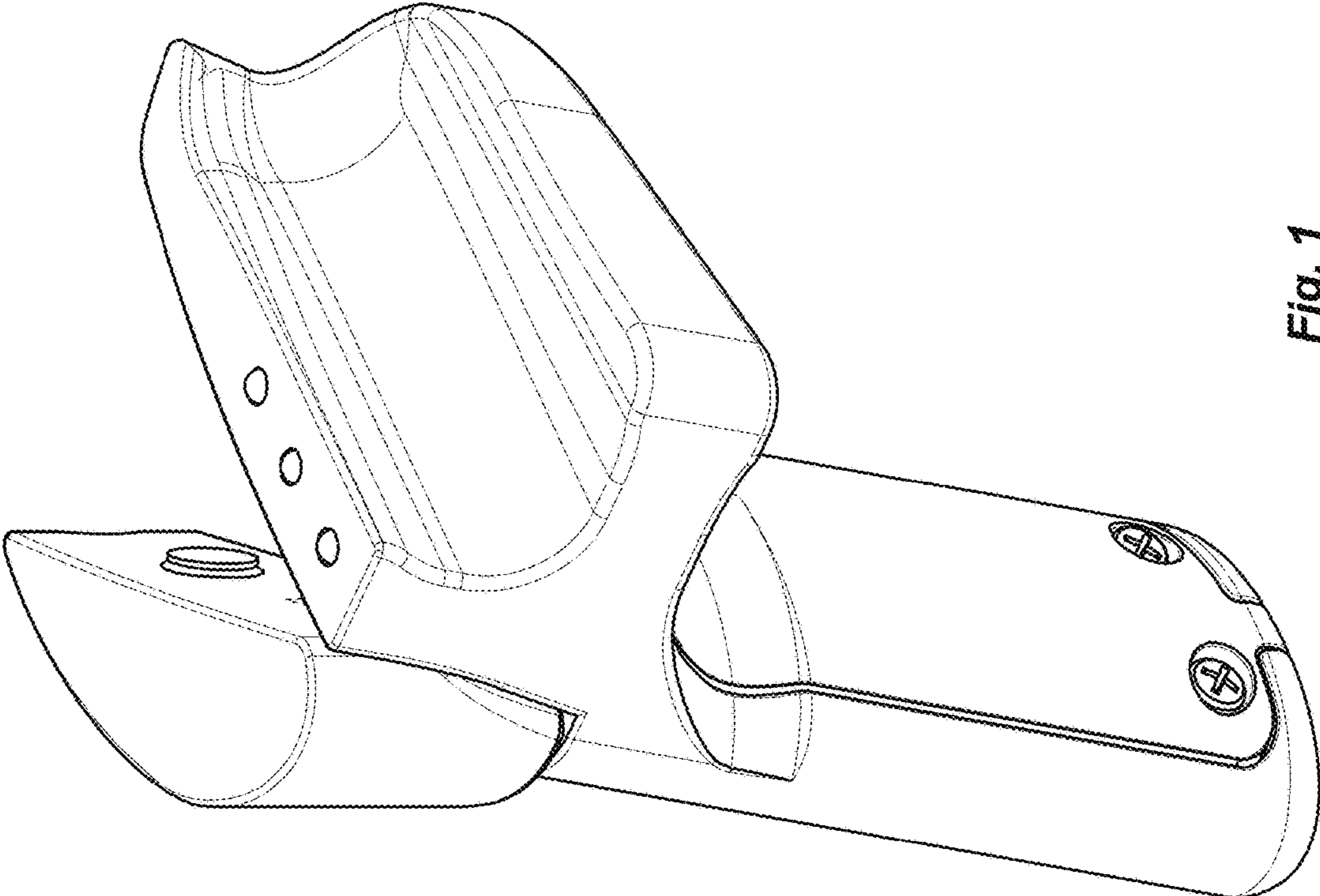


Fig. 1

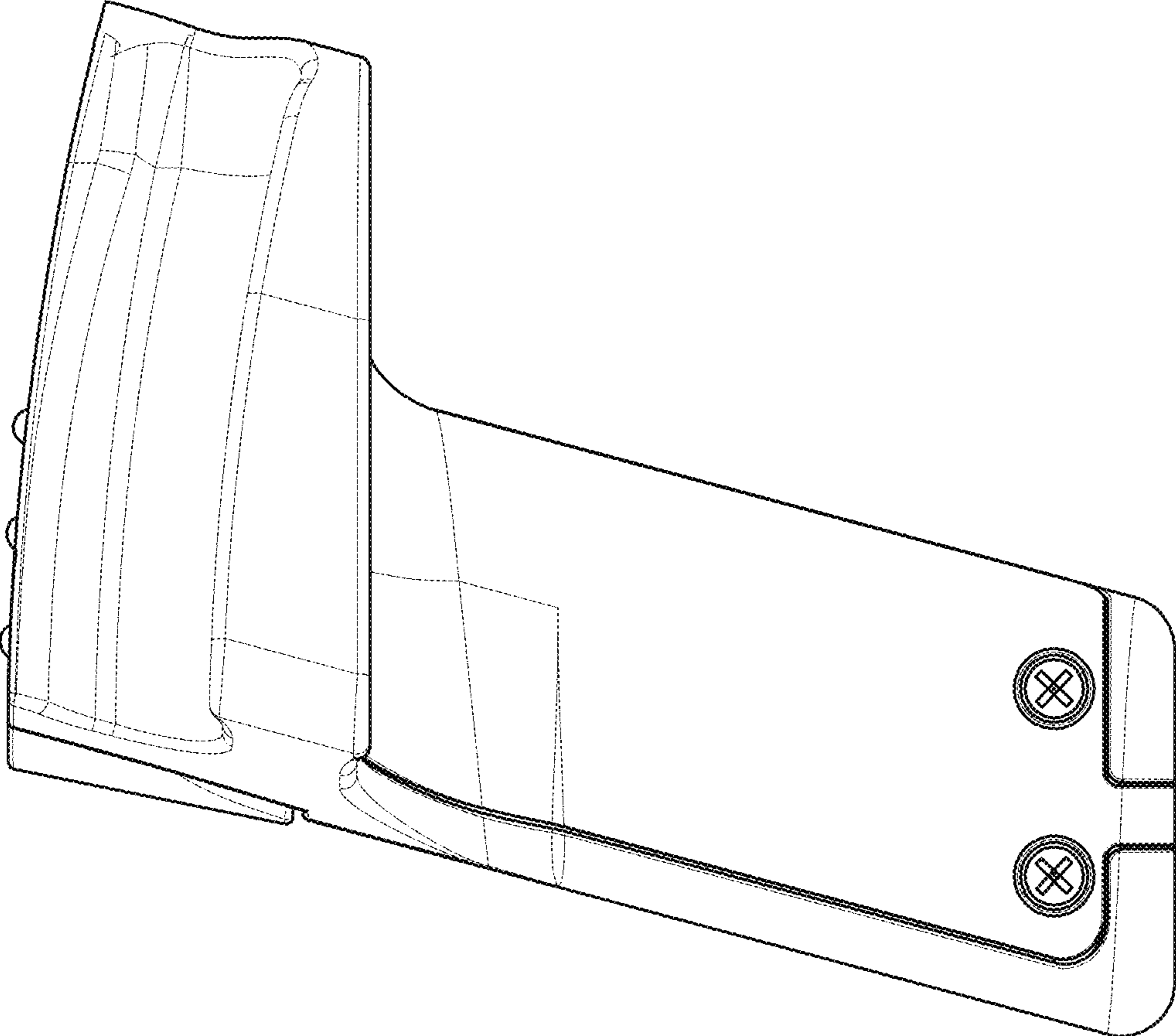


Fig. 2

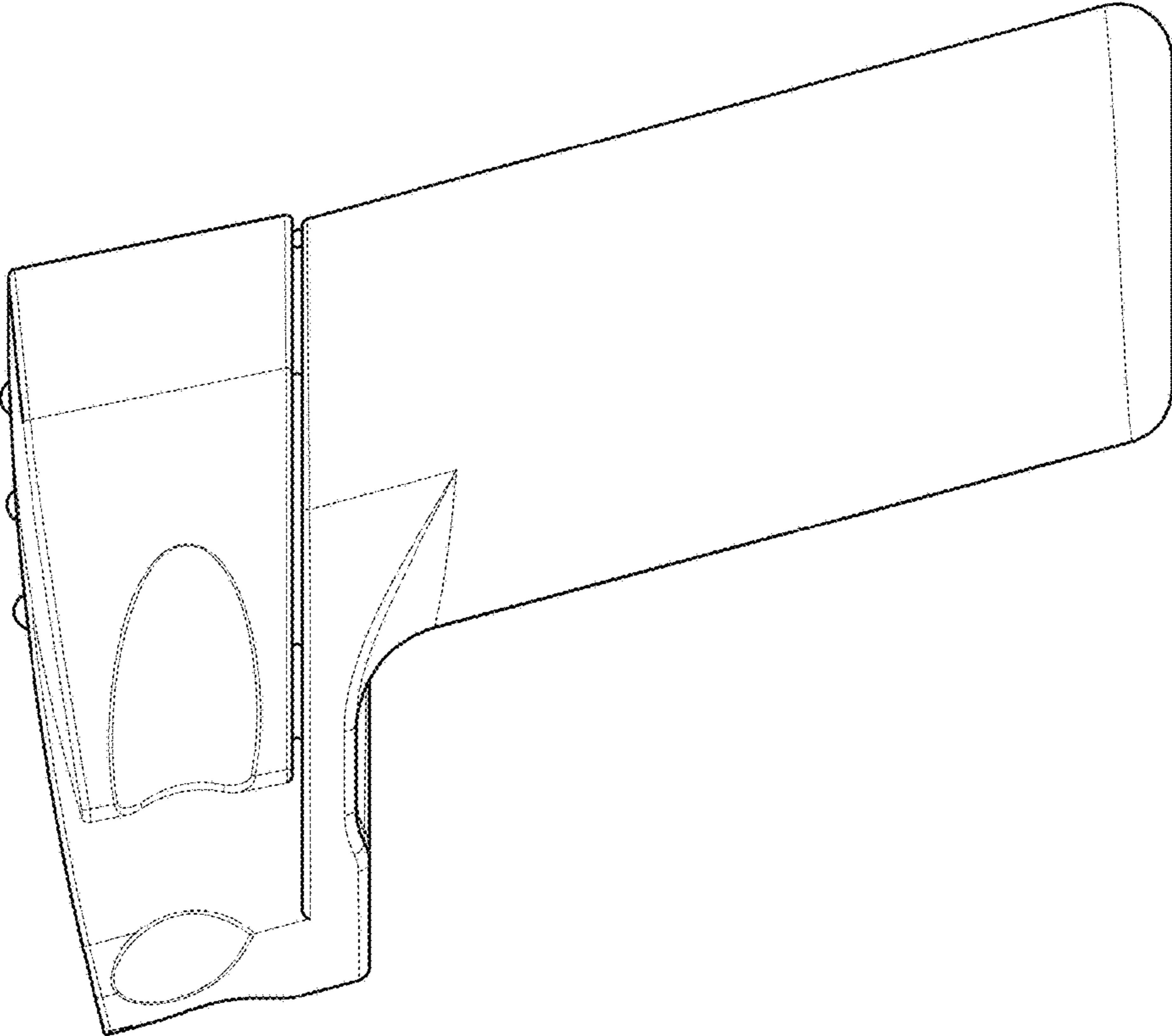


Fig. 3

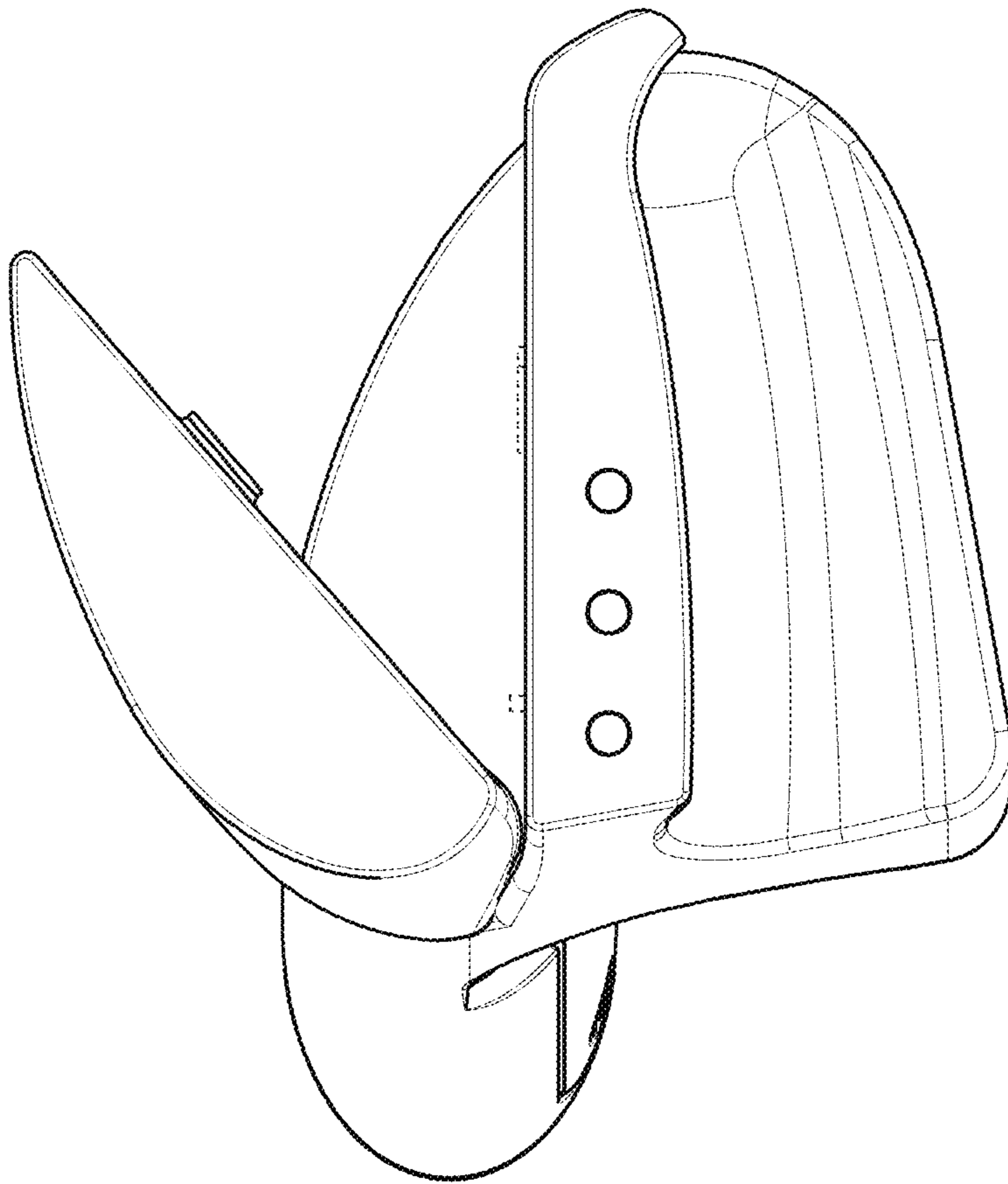


Fig. 4

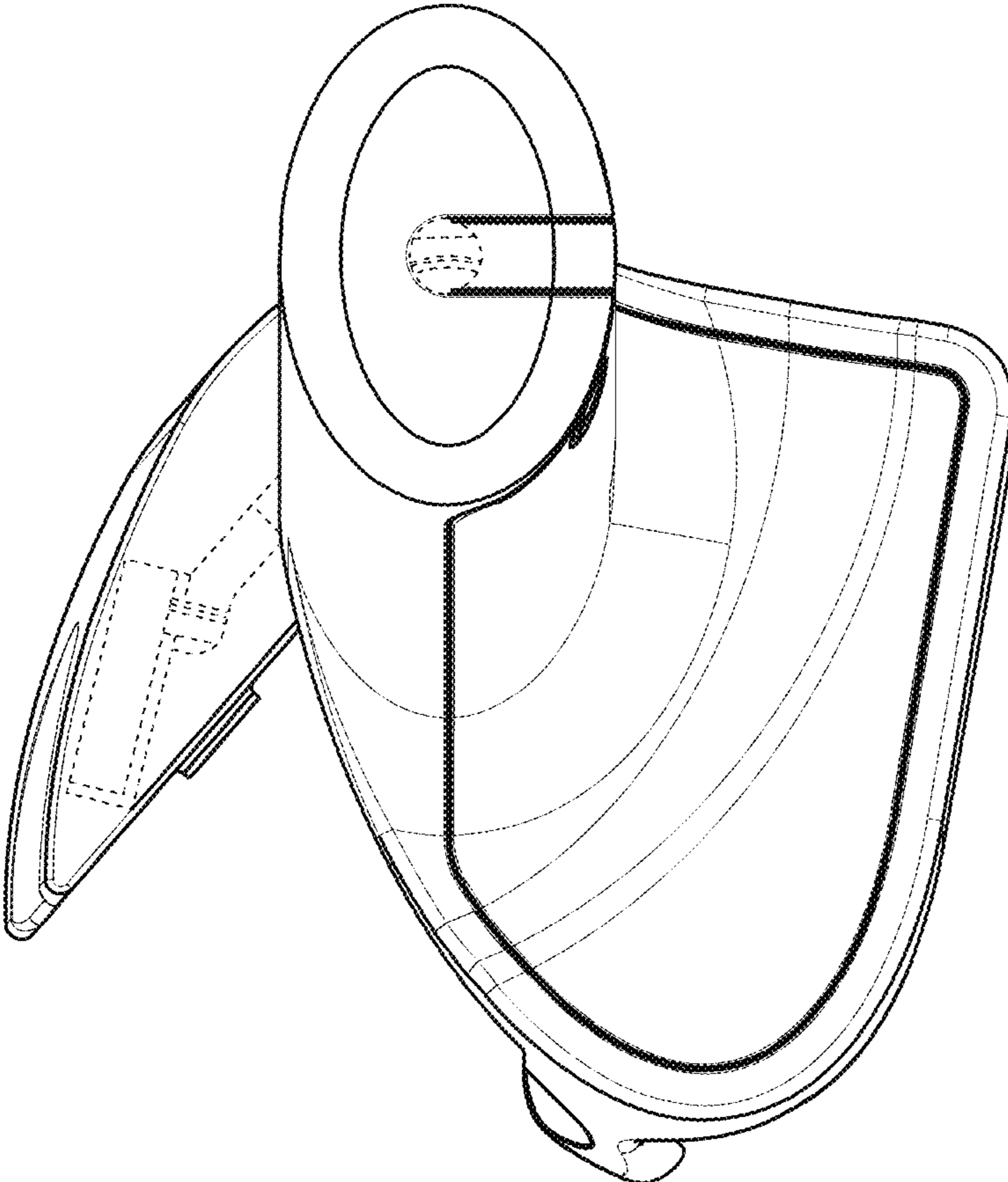


Fig. 5

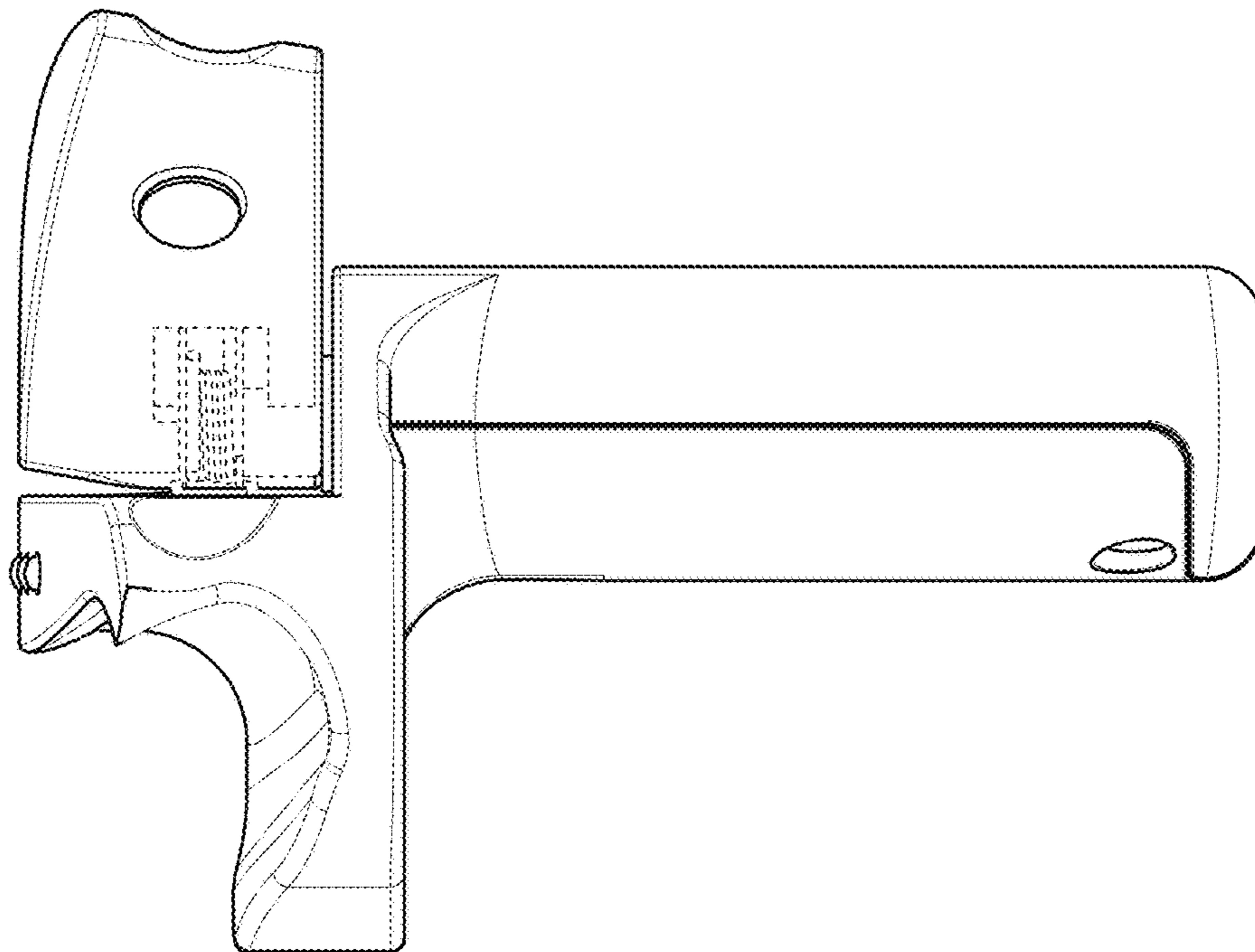


Fig. 6



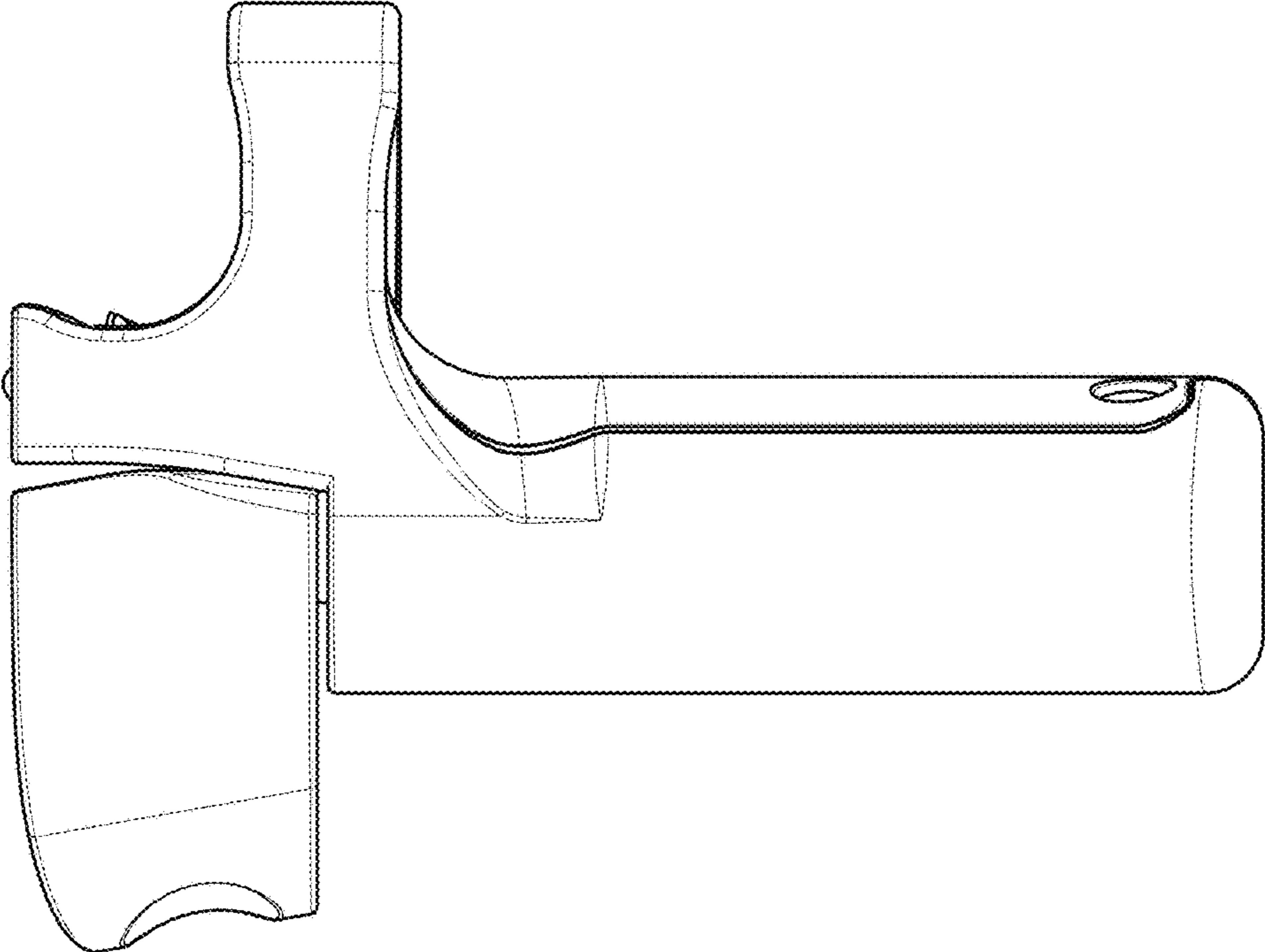


Fig. 7