



US00D779482S

(12) **United States Design Patent**
Kim et al.

(10) **Patent No.:** **US D779,482 S**

(45) **Date of Patent:** **** Feb. 21, 2017**

(54) **MOBILE TERMINAL**

(71) Applicant: **Samsung Electronics Co., Ltd.**,
Suwon-si (KR)

(72) Inventors: **Chung-Ha Kim**, Seoul (KR);
Sung-Kwon Kim, Seoul (KR);
Sang-Min Hyun, Seoul (KR)

(73) Assignee: **Samsung Electronics Co., Ltd.**,
Suwon-si (KR)

(**) Term: **15 Years**

(21) Appl. No.: **29/533,958**

(22) Filed: **Jul. 23, 2015**

(30) **Foreign Application Priority Data**

Feb. 12, 2015 (KR) 30-2015-0007758

(51) **LOC (10) Cl.** **14-02**

(52) **U.S. Cl.**
USPC **D14/341**

(58) **Field of Classification Search**
USPC D14/341-347, 137, 138 R, 138 AA,
D14/138 C, 138 G, 496, 203.1, 203.3,
D14/203.4, 203.7, 129, 130, 147, 218,
D14/248, 389, 388, 426, 420, 440;
D10/65, 104.1; D18/6, 7; D21/324,
D21/329, 330; 455/556.1, 556.2, 566,
455/575.1, 90.3; 379/433.04, 433.01,
379/433.06, 916; 345/173, 901, 905;
361/679.26, 670.3, 679.55, 679.56;
D3/218, 252, 269, 299, 301
CPC H04M 1/00; H04M 11/066; H04M 1/2478;
H04M 1/72519; H04M 2201/38; H04M
2250/22; G06F 15/00
See application file for complete search history.

(56) **References Cited**

U.S. PATENT DOCUMENTS

5,732,331 A * 3/1998 Harms H04M 1/0254
379/433.05
5,915,015 A * 6/1999 Thornton H04M 1/03
379/433.03

D421,256 S * 2/2000 Sato D14/138 AA
D421,257 S * 2/2000 Sato D14/138 AB
6,256,481 B1 * 7/2001 Jeong H04M 1/0216
379/433.13
6,272,324 B1 * 8/2001 Rudisill H04M 1/0216
379/433.13
6,751,487 B1 * 6/2004 Rydbeck H04M 1/0214
379/433.04
D557,494 S * 12/2007 Mayette D3/218
D566,383 S * 4/2008 Harris D3/218
D591,259 S * 4/2009 Choi D14/138 AB

(Continued)

FOREIGN PATENT DOCUMENTS

KR 30-2011-0027981 10/2012
KR 30-2013-0007758 1/2014
KR 30-2013-0030922 5/2014

Primary Examiner — Garth Rademaker

Assistant Examiner — Katie S Stofko

(74) *Attorney, Agent, or Firm* — NSIP Law

(57) **CLAIM**

We claim the ornamental design for a mobile terminal, as shown and described.

DESCRIPTION

FIG. 1 is a front perspective view of a mobile terminal showing our new design;

FIG. 2 is a front view thereof;

FIG. 3 is a rear view thereof;

FIG. 4 is a left-side view thereof;

FIG. 5 is a right-side view thereof;

FIG. 6 is a top view thereof;

(Continued)

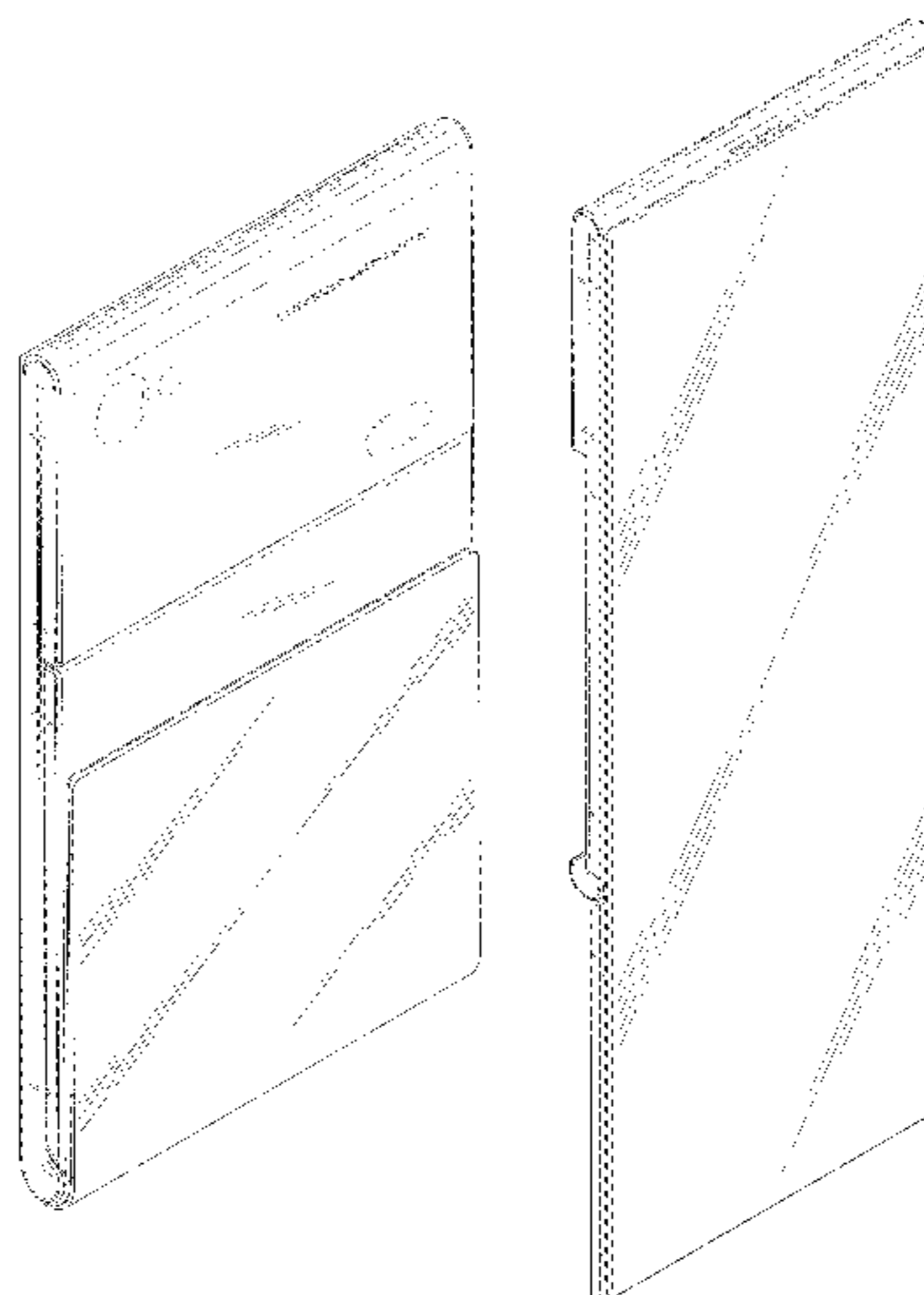


FIG. 7 is a bottom view thereof;
FIG. 8 is a rear perspective view thereof; and,
FIG. 9 is another perspective view thereof in which the display screen of the mobile terminal is shown in an open position.

The broken lines in the figures show portions of the mobile terminal which form no part of the claimed design.

1 Claim, 7 Drawing Sheets

(56)

References Cited

U.S. PATENT DOCUMENTS

7,957,123 B2 *	6/2011	Horii	H04M 1/0249
			206/320
D668,045 S *	10/2012	Robbins	D3/269
D696,237 S *	12/2013	Murchison	D14/250
D719,540 S	12/2014	Lee et al.	

* cited by examiner

FIG. 1

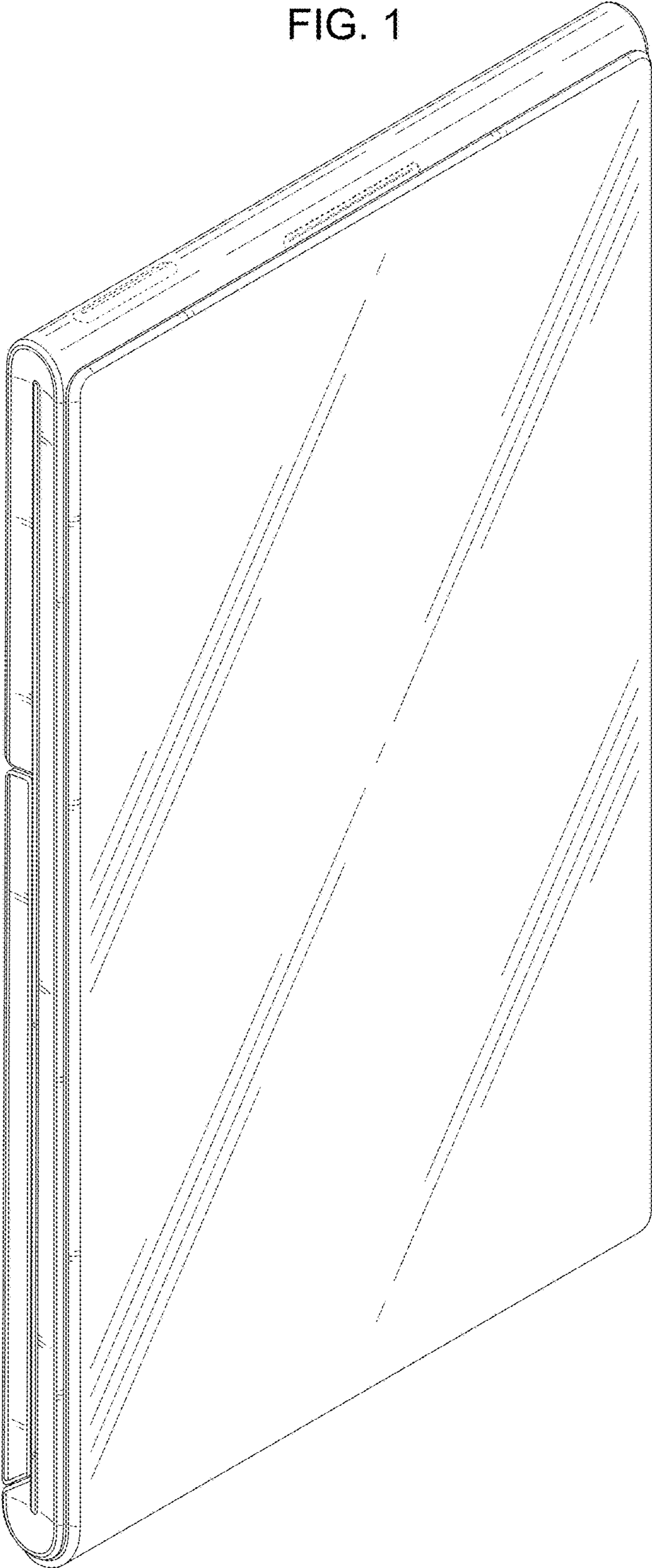


FIG. 2

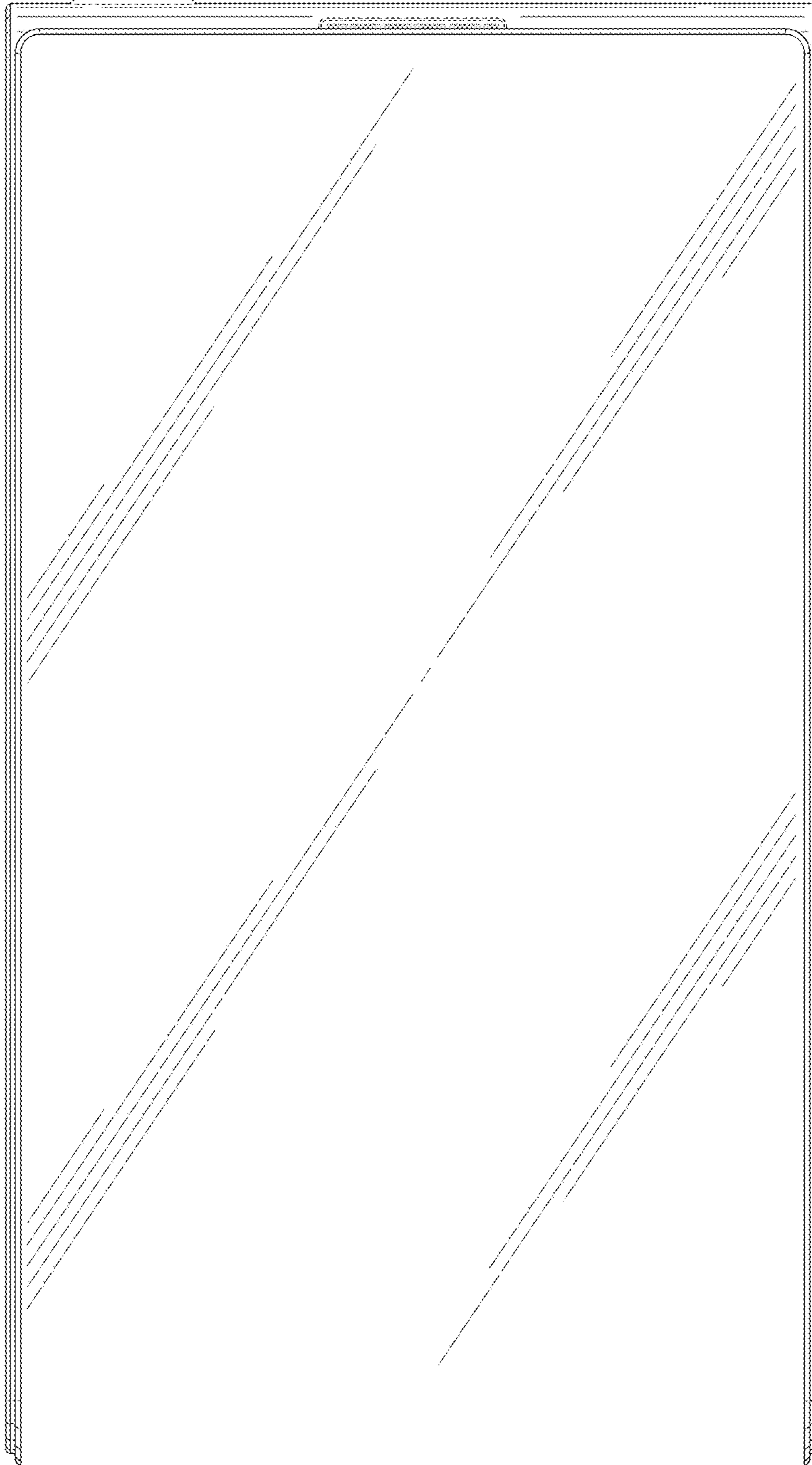


FIG. 3

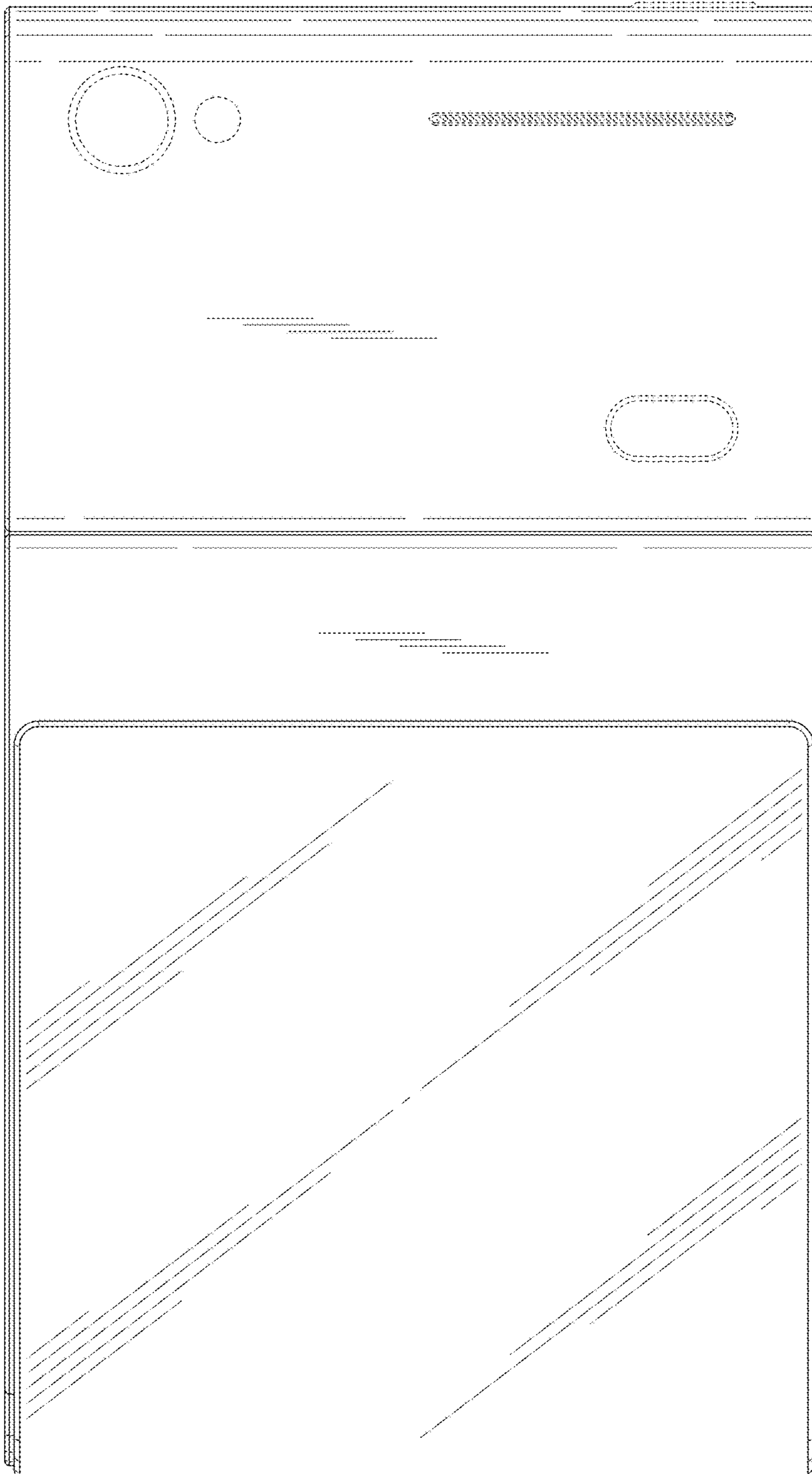


FIG. 4

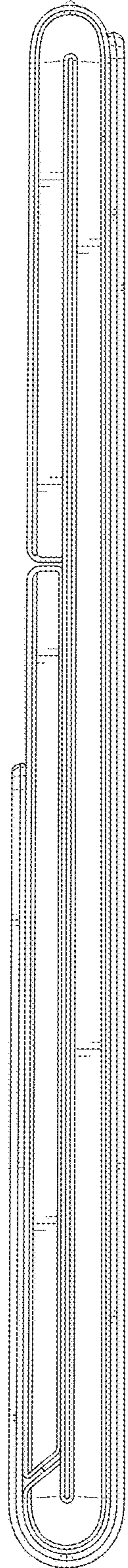


FIG. 5

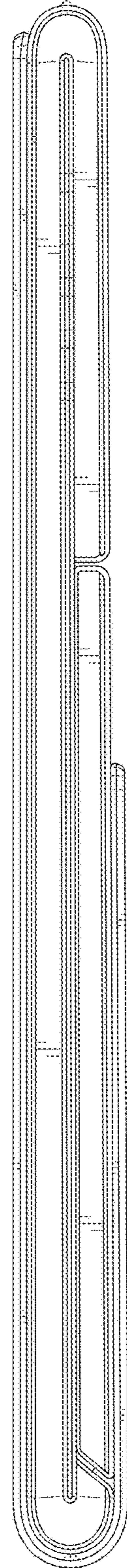


FIG. 6

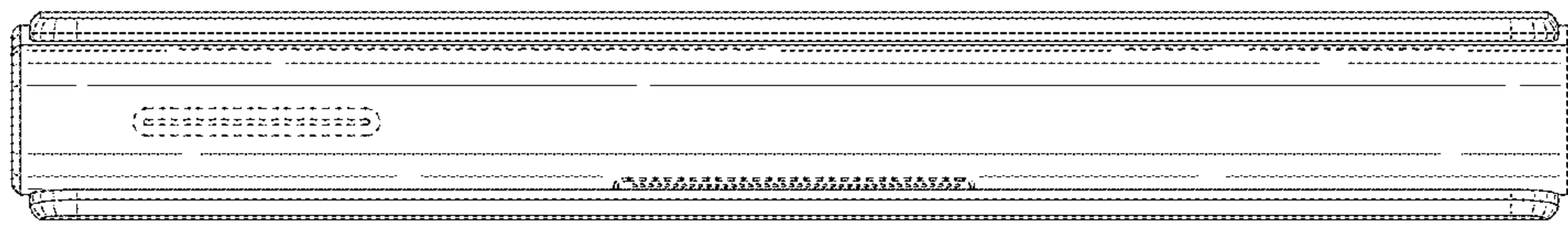


FIG. 7

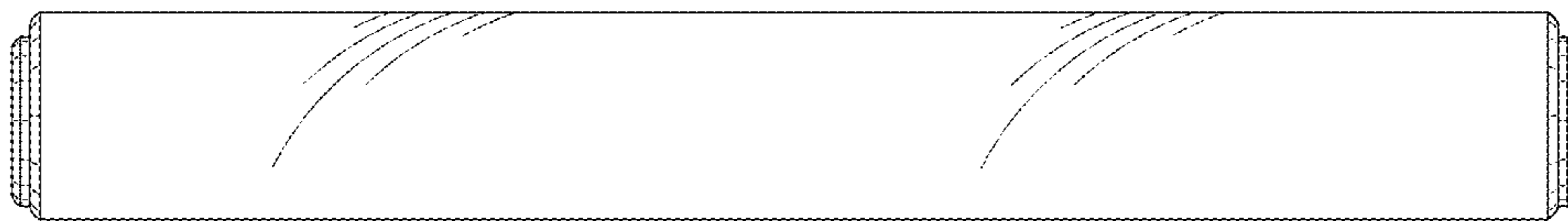


FIG. 8

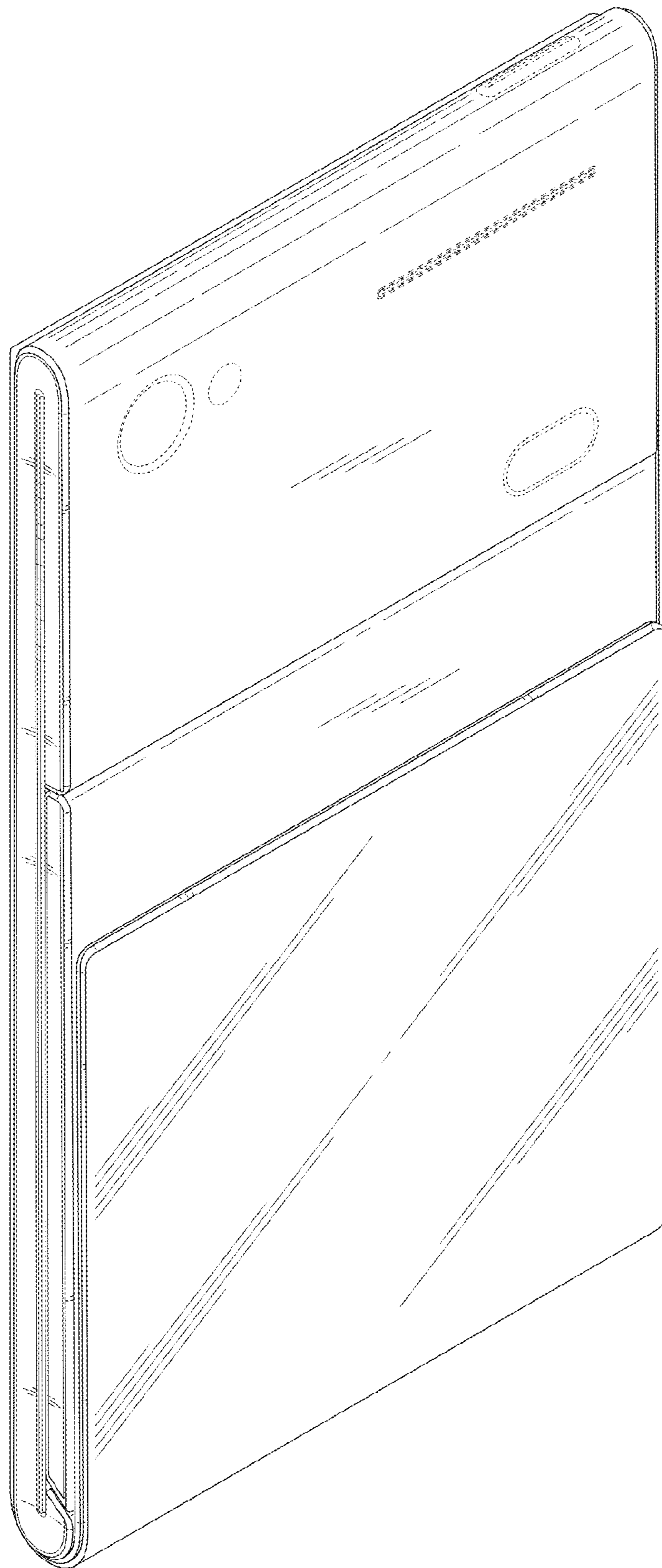


FIG. 9

