



US00D779480S

(12) **United States Design Patent** (10) **Patent No.:** **US D779,480 S**
Abrams (45) **Date of Patent:** **** Feb. 21, 2017**

(54) **PERSONAL ELECTRONIC DEVICE**

(71) Applicant: **QUALITY ONE WIRELESS, LLC**,
Orlando, FL (US)

(72) Inventor: **Daniel W. Abrams**, Commack, NY
(US)

(73) Assignee: **Quality One Wireless, LLC**, Orlando,
FL (US)

(**) Term: **14 Years**

(21) Appl. No.: **29/508,447**

(22) Filed: **Nov. 6, 2014**

(51) **LOC (10) Cl.** **14-02**

(52) **U.S. Cl.**
USPC **D14/341**

(58) **Field of Classification Search**
USPC D14/341-347, 137, 138 R, 138 AA,
D14/138 AB, 138 C, 138 G, 203.1, 203.3,
DD14/203.4, 203.7, 129, 130, 147, 218,
D14/247, 248, 332, 388, 389, 315-318,
D14/420, 426, 429, 489, 492, 496;
D10/50, 65, 104.1; D18/6; D21/329, 330;
D6/308, 310

CPC G06F 1/1613; G06F 1/1647; G06F 1/1641;
G06F 3/04883; G06F 3/0486; G06F
3/04847; G06F 3/04845; G06F 3/04817;
G06F 3/0484; H04M 1/0279; H04M
1/0281; H04M 1/0283; A63H 33/3016

See application file for complete search history.

(56) **References Cited**

U.S. PATENT DOCUMENTS

D411,536 S *	6/1999	Page	D14/137
D427,983 S *	7/2000	Nagano	D14/138 AA
D485,280 S *	1/2004	Hussaini	D14/203.4
D511,773 S *	11/2005	Horiki	D14/346
D515,539 S *	2/2006	Mai	D14/138 AA
D519,394 S *	4/2006	DiPasquale	D10/106.1

D531,067 S *	10/2006	Baumgaertner	D10/65
D559,134 S *	1/2008	Henderson	D10/65
D602,454 S *	10/2009	Boucquey	D14/137
D618,648 S *	6/2010	Bang	D14/138 AA
D639,260 S *	6/2011	Carroll	D14/138 G
D641,735 S *	7/2011	Santa Maria	D14/218
D644,133 S *	8/2011	Register	D10/65
D653,246 S *	1/2012	Salazar	D14/248
D662,925 S *	7/2012	Mayberry	D14/250
D670,261 S *	11/2012	Nuovo	D14/138 G
D675,542 S *	2/2013	Breuer	D10/50
D676,817 S *	2/2013	Nuovo	D14/138 G
D679,204 S *	4/2013	Breuer	D10/49
D682,245 S *	5/2013	Harmon	D14/138 G
D683,338 S *	5/2013	Wilson	D14/250
D685,754 S *	7/2013	Palmer	D14/138 G
D686,602 S *	7/2013	Nuovo	D14/248
D687,806 S *	8/2013	Hachiya	D14/138 G

(Continued)

Primary Examiner — Barbara Fox

Assistant Examiner — Dana K Weiland

(74) *Attorney, Agent, or Firm* — Allen Dyer Doppelt
Milbrath & Gilchrist

(57) **CLAIM**

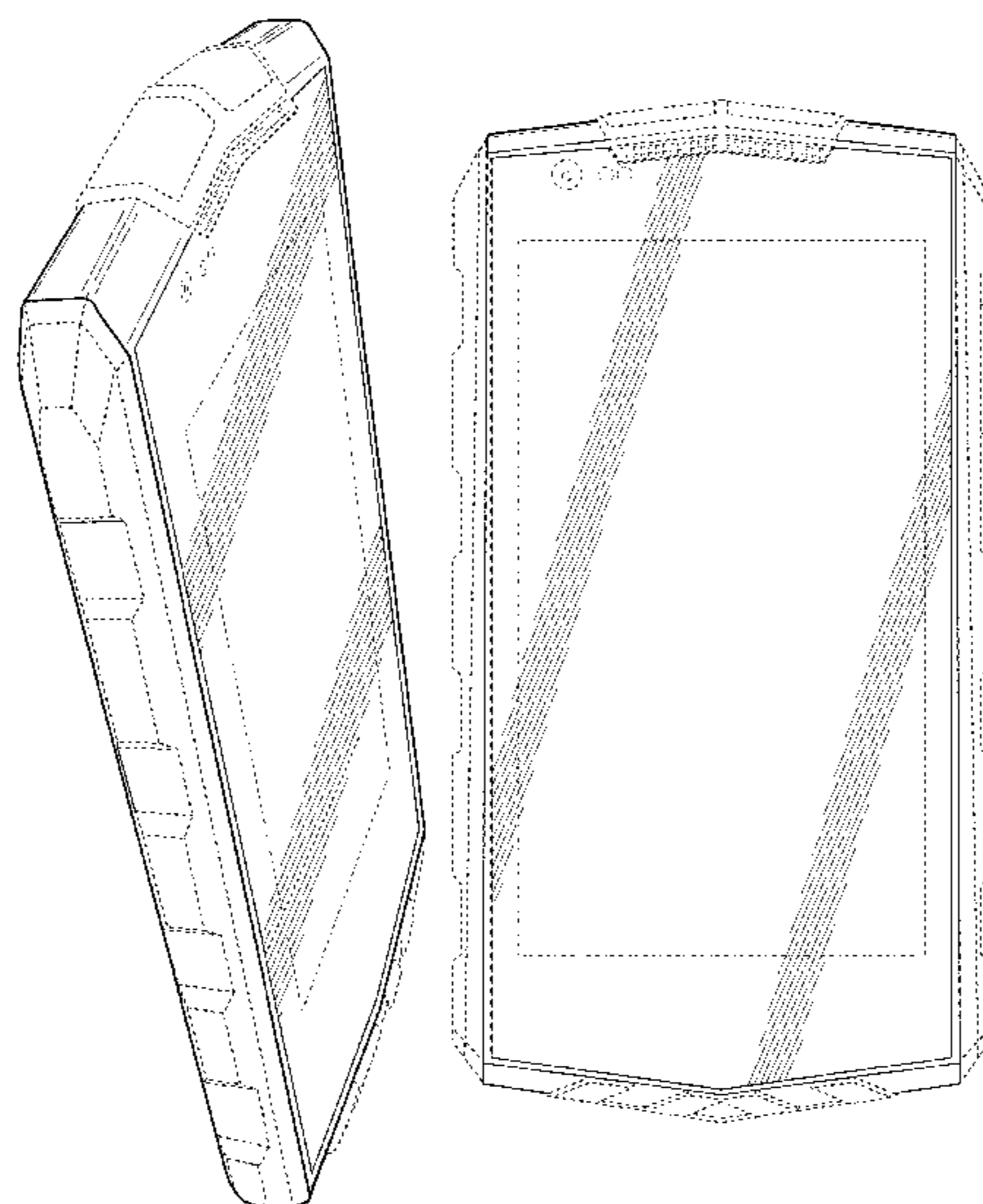
The ornamental design for a personal electronic device, as shown and described.

DESCRIPTION

FIG. 1 is a top, front, right side perspective view of a personal electronic device showing the new design; FIG. 2 is a bottom, rear, right side perspective view thereof; FIG. 3 is a front view thereof; FIG. 4 is a rear view thereof; FIG. 5 is a right side view thereof; FIG. 6 is a left side view thereof; FIG. 7 is a top view thereof; and, FIG. 8 is a bottom view thereof.

The broken lines shown in the drawings illustrate portions of the personal electronic device that form no part of the claimed design.

1 Claim, 7 Drawing Sheets



(56)

References Cited

U.S. PATENT DOCUMENTS

D688,219	S *	8/2013	Ikezu	D14/138	G
D688,221	S *	8/2013	Zuffo	D14/138	G
D688,233	S *	8/2013	Dong	D14/250	
D688,575	S *	8/2013	Kokkonen	D10/65	
D691,131	S *	10/2013	Brown	D14/341	
D692,893	S *	11/2013	Wesolek	D14/426	
D700,158	S *	2/2014	Kang	D14/137	
D703,661	S *	4/2014	Krause	D14/341	
8,787,009	B2 *	7/2014	Wilson	H04M 1/185	
				312/296	
D710,331	S *	8/2014	Yuyama	D14/218	
D716,249	S *	10/2014	Zhang	D14/138	G
D724,046	S *	3/2015	Sawada	D14/138	G
D726,170	S *	4/2015	Ng	D14/250	
D732,534	S *	6/2015	Pauffer	D14/428	
D747,303	S *	1/2016	Su	D14/250	
D754,089	S *	4/2016	Yong	D14/137	
D755,153	S *	5/2016	Steiner	D14/138	R
D760,216	S *	6/2016	Krause	D14/341	
2005/0150959	A1 *	7/2005	Izzo	G06K 7/109	
				235/472.02	

* cited by examiner

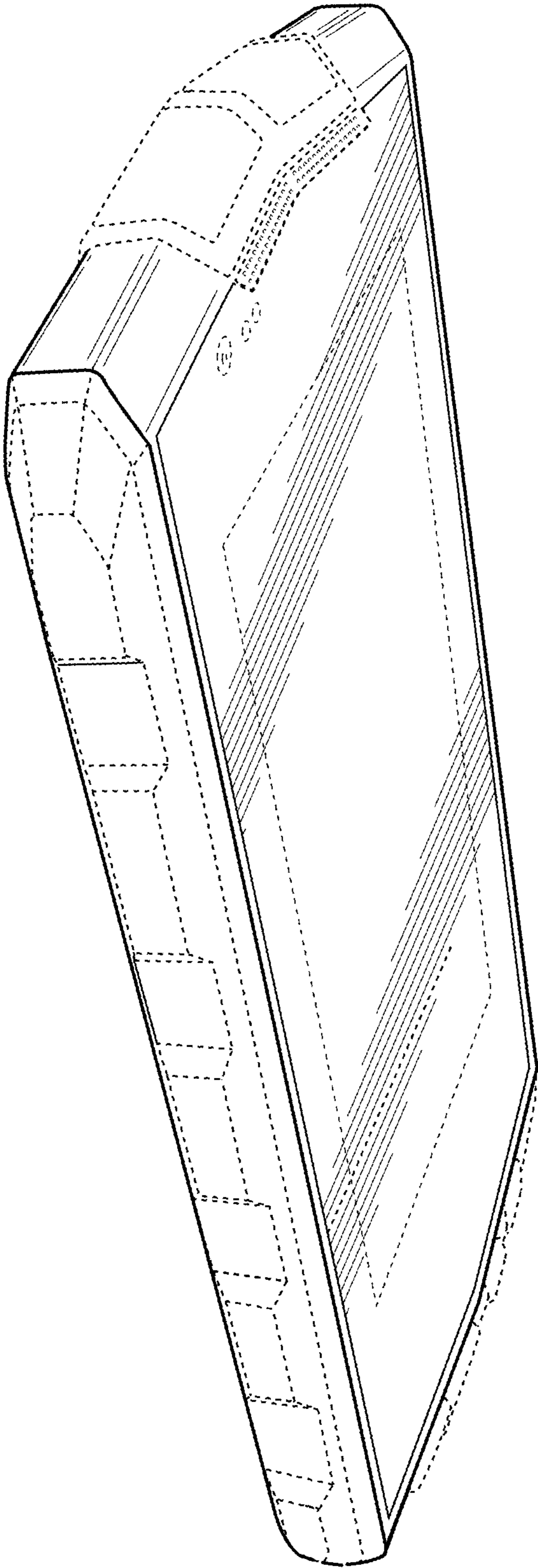


FIG. 1

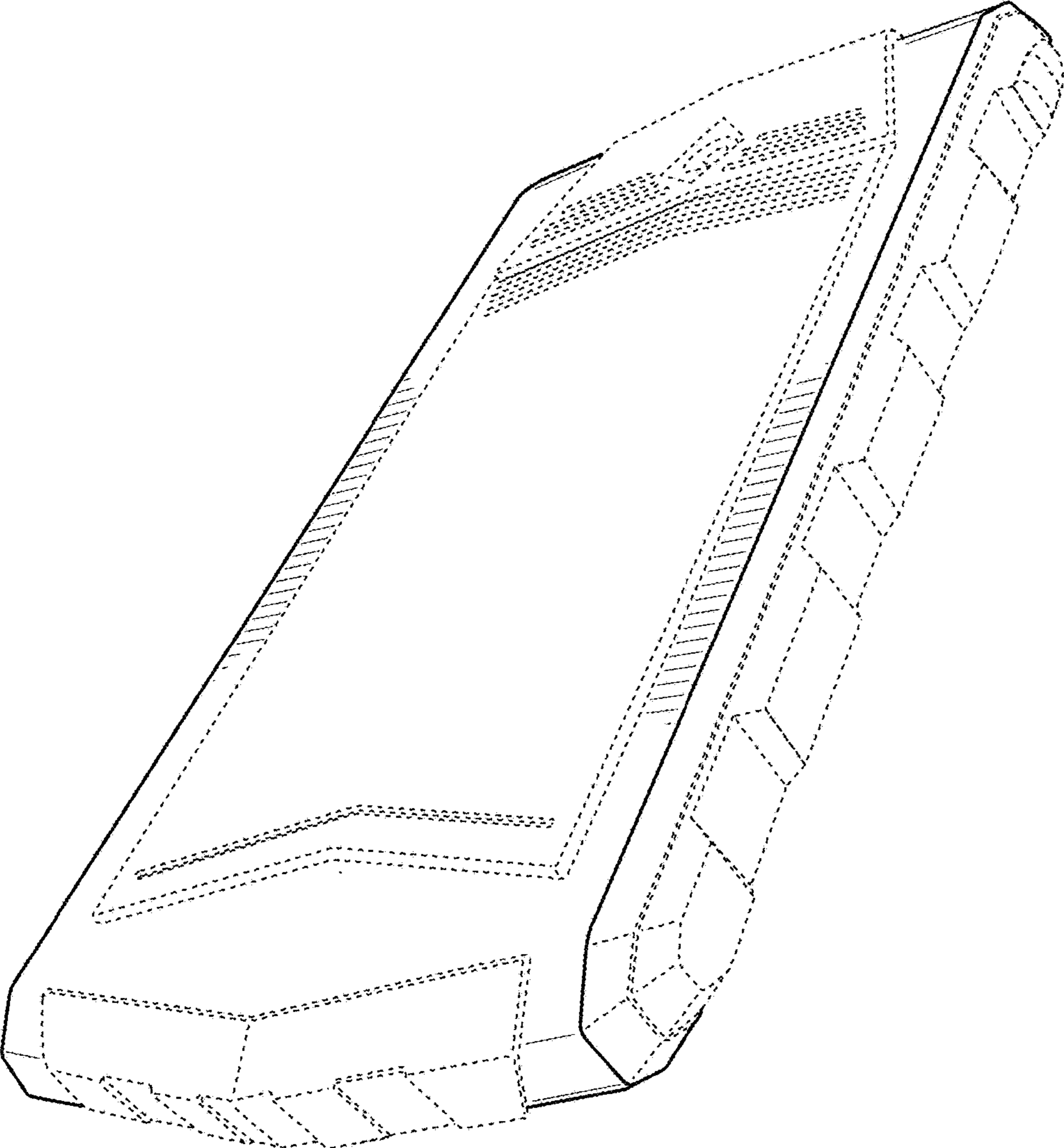


FIG. 2

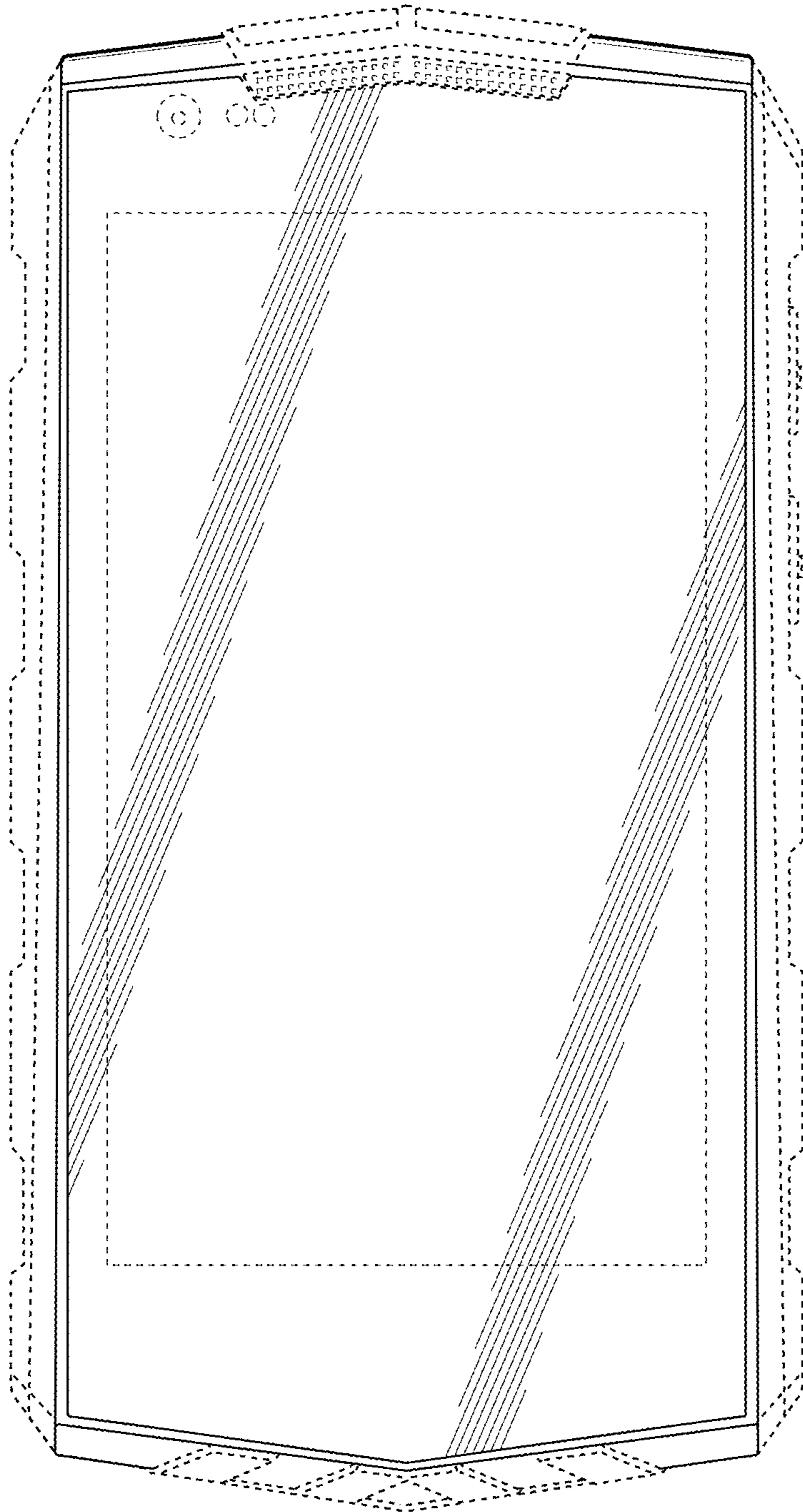


FIG. 3

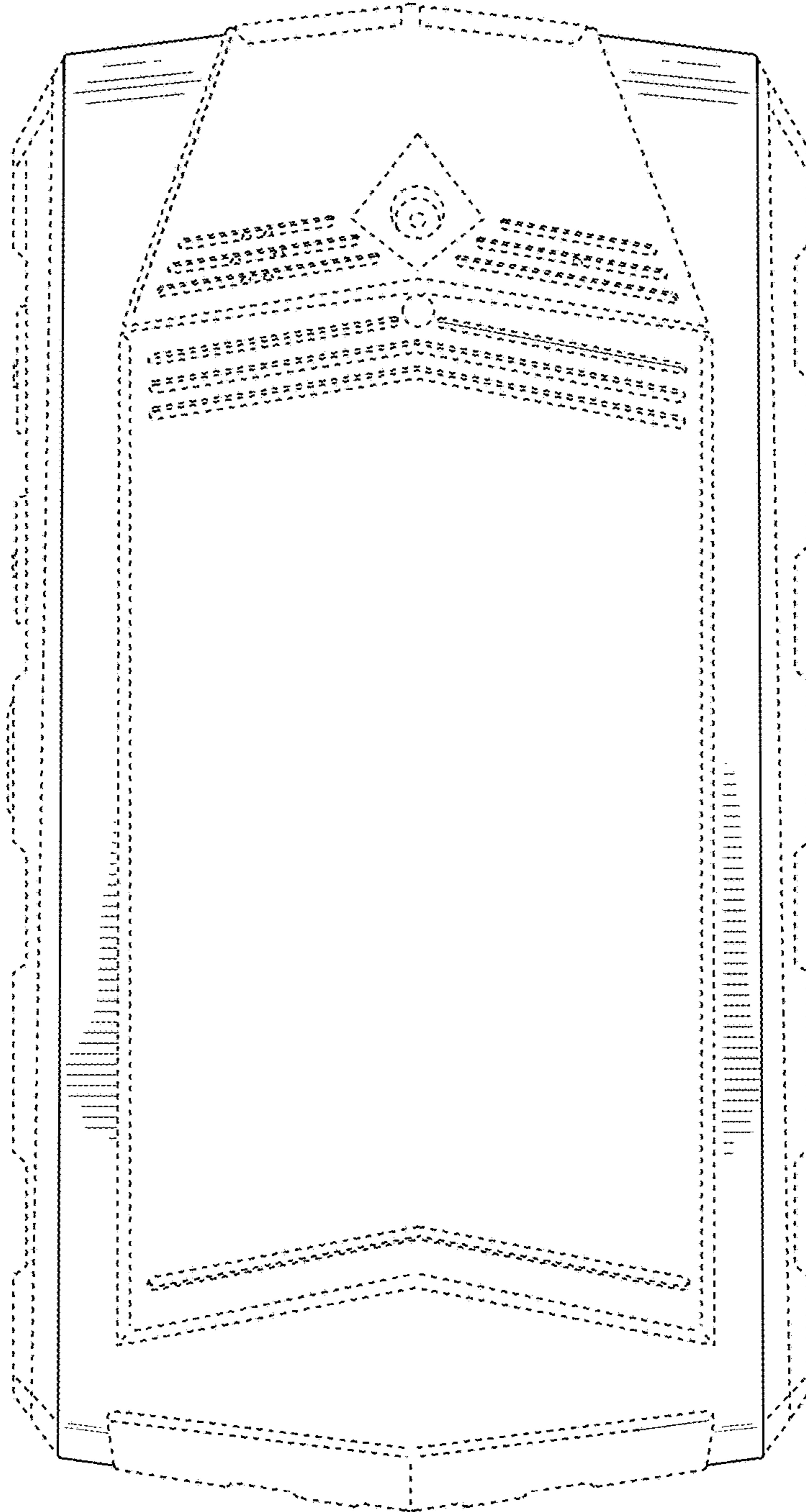


FIG. 4

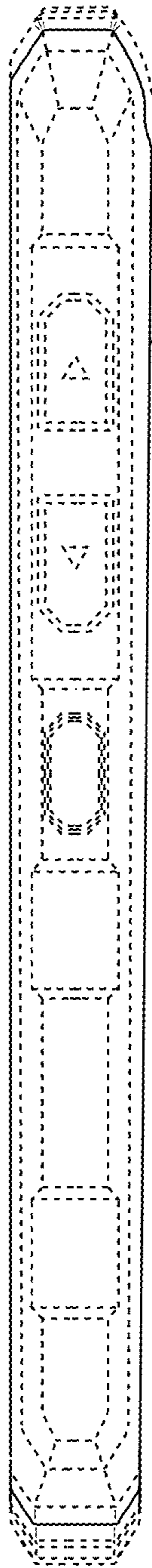


FIG. 5

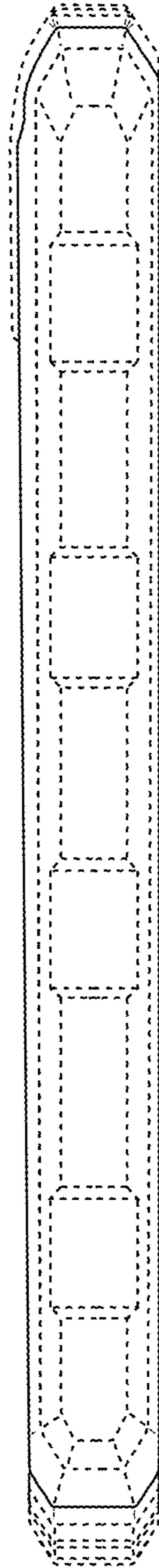


FIG. 6

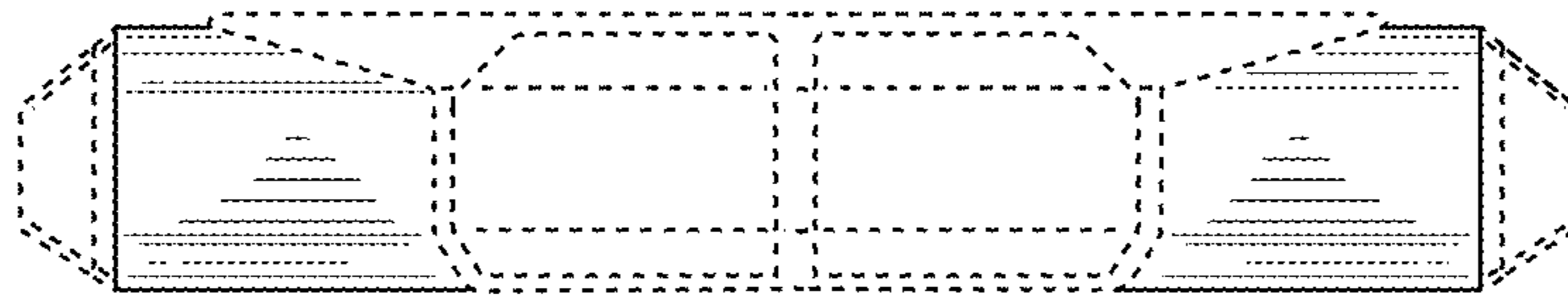


FIG. 7

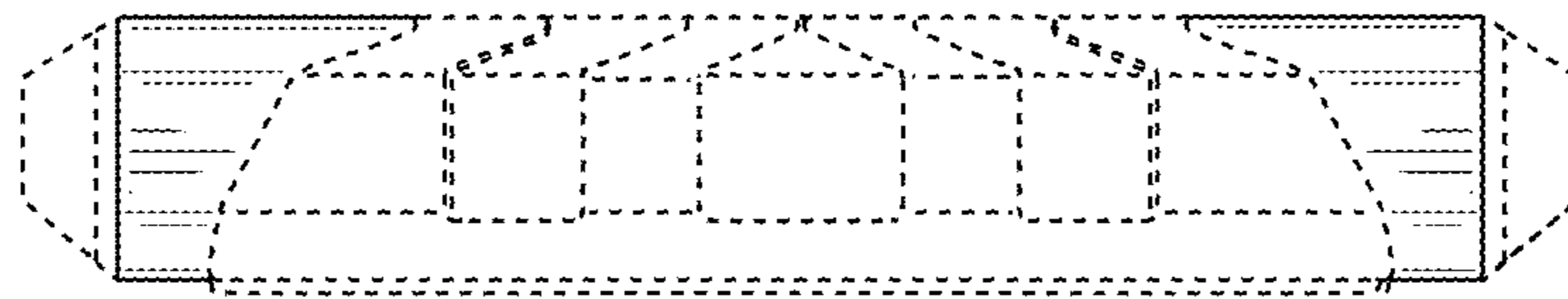


FIG. 8