



US00D779478S

(12) **United States Design Patent** (10) **Patent No.:** **US D779,478 S**
Justiss et al. (45) **Date of Patent:** **** Feb. 21, 2017**

(54) **REPOSITIONABLE STAND FOR PORTABLE ELECTRONIC DEVICE**

(71) Applicant: **Distil Union, LLC**, Charleston, SC (US)

(72) Inventors: **Nate B. Justiss**, Charleston, SC (US);
Lindsay K. Windham, Charleston, SC (US)

(73) Assignee: **Distil Union, LLC**, Charleston, SC (US)

(**) Term: **15 Years**

(21) Appl. No.: **29/553,696**

(22) Filed: **Feb. 3, 2016**

(51) **LOC (10) Cl.** **14-03**

(52) **U.S. Cl.**
USPC **D14/253**

(58) **Field of Classification Search**
USPC D14/253, 251, 252, 447, 451, 452, 440, D14/434, 458, 432, 439, 457, 460, 238.1, D14/140, 142, 149, 217, 148, 140.8, D14/140.11, 209.1, 151, 140.9, 250, 238; D13/107, 108; D12/415, 223, 114, 420, D12/417, 407, 177; D3/218; D16/242-245, 250, 237, 203, 214, D16/219; D6/675, 672, 673, 675.4, 553, D6/676, 310, 406.3, 406.4, 406.5, 406.6, D6/407, 567, 300, 682.3, 396; 248/459, 460; 224/483

(Continued)

(56) **References Cited**

U.S. PATENT DOCUMENTS

D557,259 S * 12/2007 Hirsch D14/217
D616,431 S * 5/2010 Hijmans D14/253

(Continued)

OTHER PUBLICATIONS

Satechi R1 Arm Hinge Holder Stand. Online point of purchase display. [retrieved on May 30, 2016]. Retrieved from the Internet: <URL: www.newegg.com/Product/Product.aspx?Item=9SIA0Y40E18976>. 1 page.

(Continued)

Primary Examiner — Susan Bennett Hattan

Assistant Examiner — Janice Hallmark

(74) *Attorney, Agent, or Firm* — Withrow & Terranova, P.L.L.C.; Vincent K. Gustafson

(57) **CLAIM**

The ornamental design for a repositionable stand for a portable electronic device, as shown and described.

DESCRIPTION

FIG. 1 is a perspective view of a repositionable stand for a portable electronic device in a first bent position showing our new design;

FIG. 2 is a front elevation view of the repositionable stand for a portable electronic device in the first bent position;

FIG. 3 is a rear elevation view of the repositionable stand for a portable electronic device in the first bent position;

FIG. 4 is a top plan view of the repositionable stand for a portable electronic device in the first bent position;

FIG. 5 is a bottom plan view of the repositionable stand for a portable electronic device in the first bent position;

FIG. 6 is a right side elevation view of the repositionable stand for a portable electronic device in the first bent position;

FIG. 7 is a left side elevation view of the repositionable stand for a portable electronic device in the first bent position;

FIG. 8 is a perspective view of the repositionable stand for a portable electronic device in the first bent position, and further showing, as environmental structure in broken lines, a portable electronic device supported by the repositionable stand of the present invention;

FIG. 9 is a perspective view of the repositionable stand for a portable electronic device in a second flat position;

FIG. 10 is a left side elevation view of the repositionable stand for a portable electronic device in the second flat position;

(Continued)

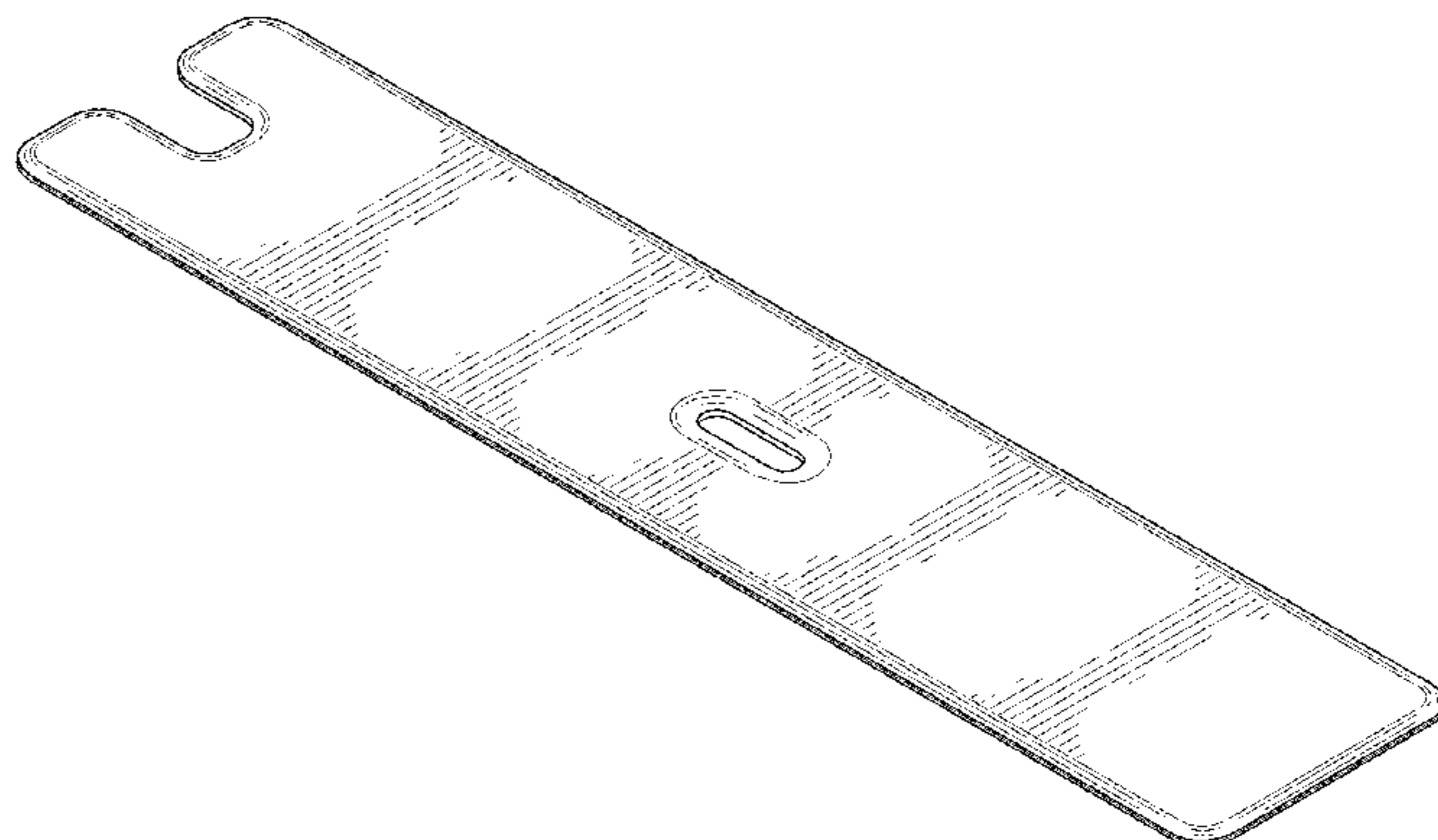
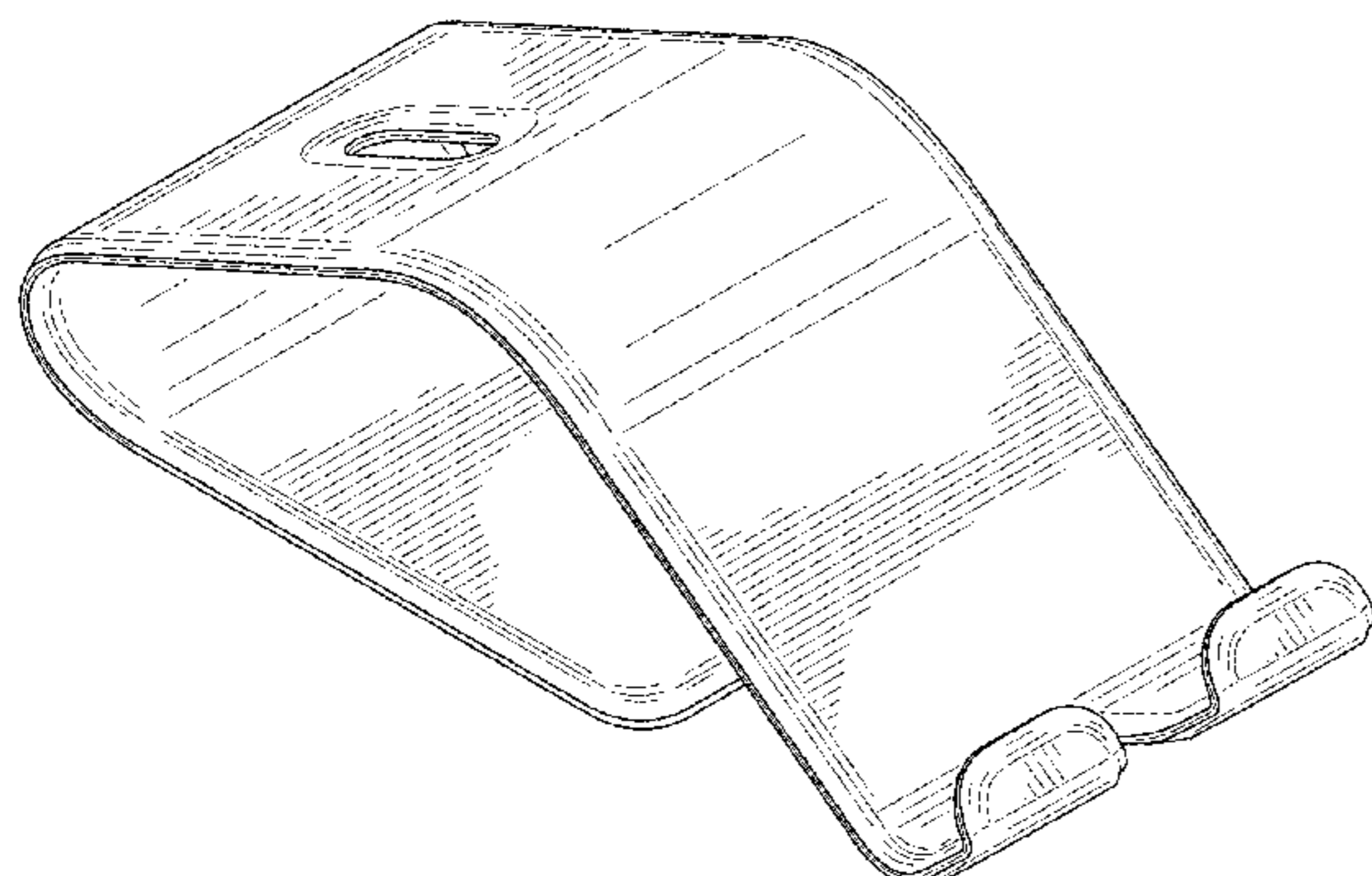


FIG. 11 is a right side elevation view of the repositionable stand for a portable electronic device in the second flat position;
 FIG. 12 is a top plan view of the repositionable stand for a portable electronic device in the second flat position;
 FIG. 13 is a bottom plan view of the repositionable stand for a portable electronic device in the second flat position;
 FIG. 14 is a rear elevation view of the repositionable stand for a portable electronic device in the second flat position;
 and,
 FIG. 15 is a front elevation view of the repositionable stand for a portable electronic device in the second flat position. Throughout the Figures, any broken lines are included for the purpose of illustrating environment of the design and form no part of the claimed design.

1 Claim, 15 Drawing Sheets

(58) **Field of Classification Search**

CPC B60R 2011/0008; B60R 11/02; B60R 11/0241; B60R 11/0258; B60R 11/0252; B60R 2011/0294; F16M 11/00; F16M 11/04; F16M 11/041; F16M 11/02; F16M 11/06; F16M 13/00; H04M 1/02; H04M 1/04; H04M 1/11; H04M 1/12; A47F 7/022; B62J 11/00; H05K 7/00; G03B 17/56

See application file for complete search history.

(56) **References Cited**

U.S. PATENT DOCUMENTS

D639,816 S * 6/2011 Bau D14/447
 D649,153 S 11/2011 Symons

8,282,065 B1 * 10/2012 Stone A47B 23/044
 16/221
 D681,646 S * 5/2013 Ide D14/447
 D703,673 S 4/2014 Kittlaus
 D714,297 S * 9/2014 Poulsen D14/447
 D717,306 S 11/2014 Clouser
 D722,317 S 2/2015 Parameshwara et al.
 D730,091 S 5/2015 Chan
 D754,668 S 4/2016 Manabe et al.
 D756,367 S 5/2016 Kim
 D760,214 S * 6/2016 Kemper D14/253
 2010/0213331 A1 * 8/2010 Liou F16M 11/105
 248/176.3
 2011/0253850 A1 * 10/2011 Bau H04M 1/04
 248/176.3
 2012/0074271 A1 * 3/2012 Goetz F16M 13/00
 248/121
 2012/0181410 A1 * 7/2012 Ku A47B 23/042
 248/453

OTHER PUBLICATIONS

Elago M2 Stand. Online point of purchase display. [retrieved on May 30, 2016]. Retrieved from the Internet: <URL: phone6casesforsale.com/shop/iphone-6-chargers/iphone-6-docks/elago-m2-stand-for-all-iphones-galaxy-and-smartphones-angled-support-for-facetime-silver/>. 1 page.

IMC Style Metal Stand Holder. Online point of purchase display. [retrieved on May 30, 2016]. Retrieved from the Internet: <URL:uae.souq.com/ae-en/imc-style-metal-stand-holder-for-apple-iphone-6-plus-apple-iphone-6-phone-5s-4s-ipod-touch-5-7976551/i/>. 1 page.

* cited by examiner

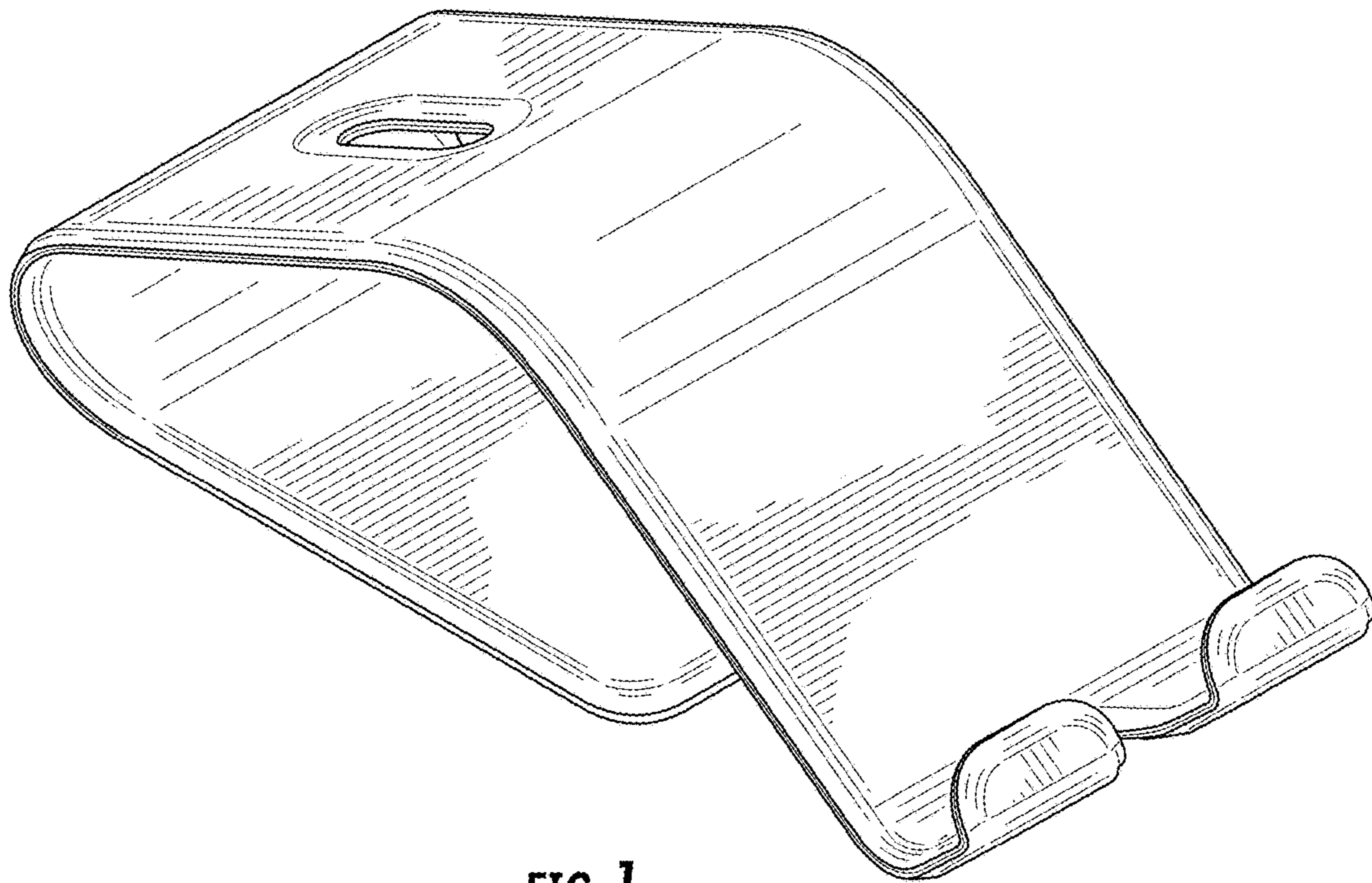


FIG. 1

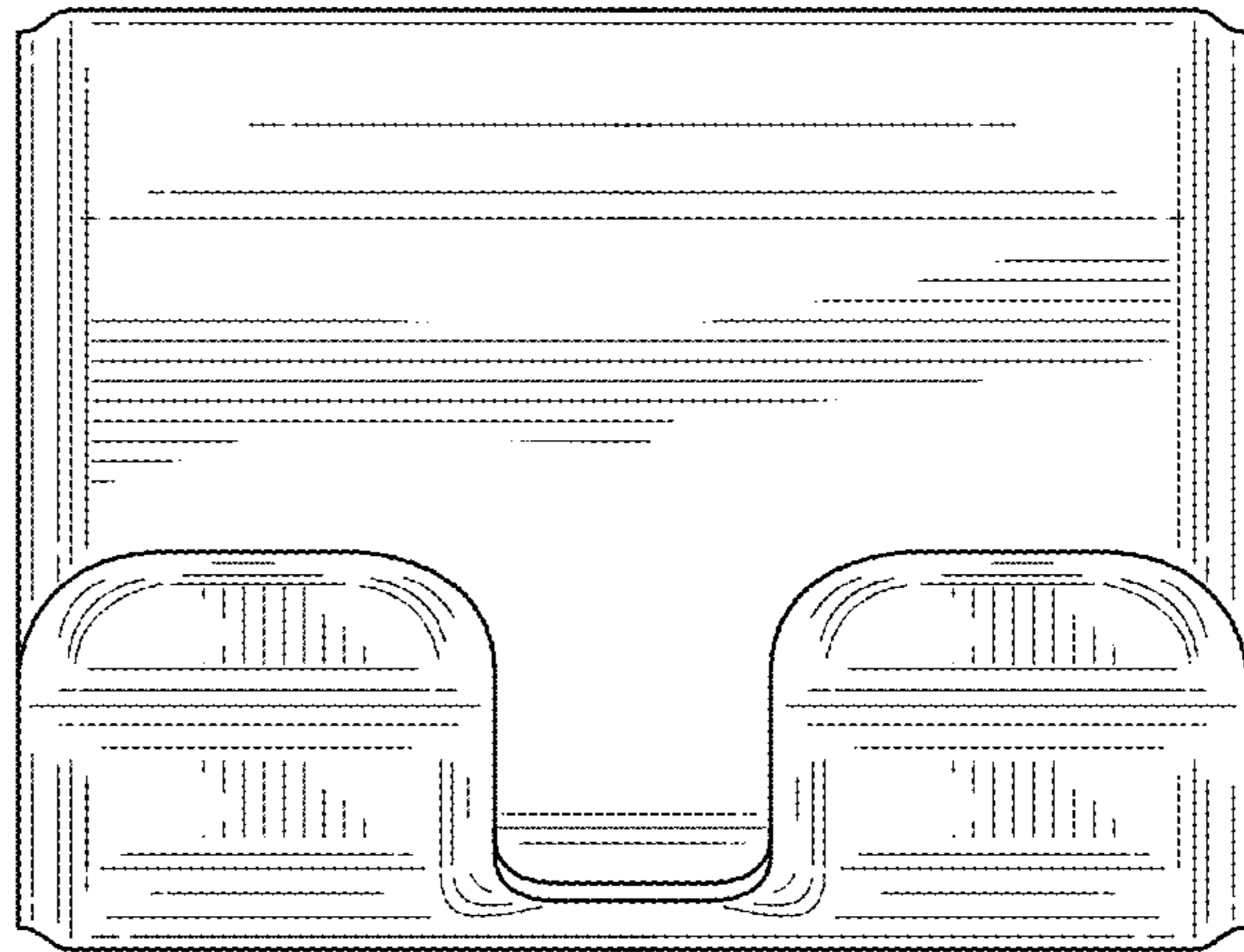


FIG. 2

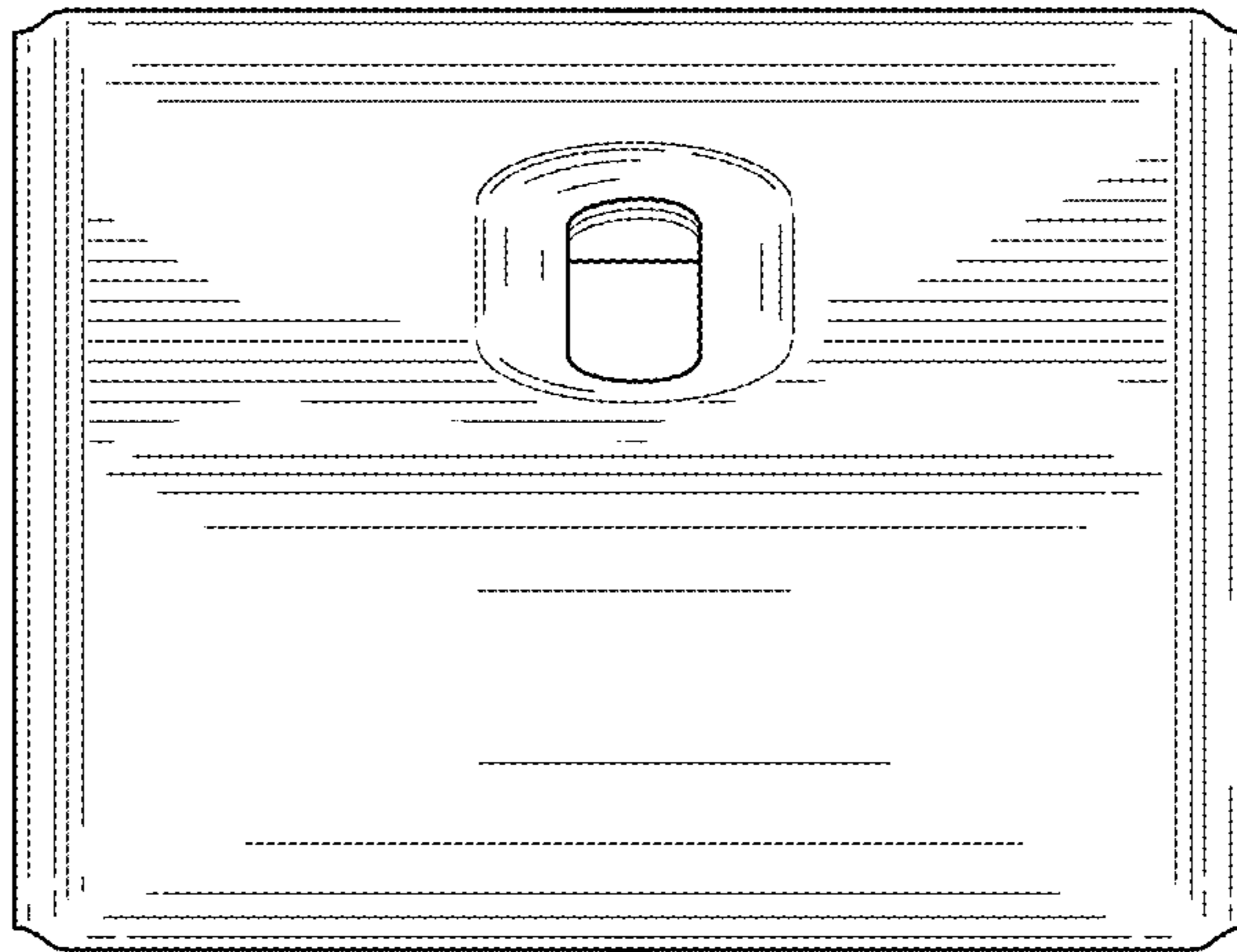


FIG. 3

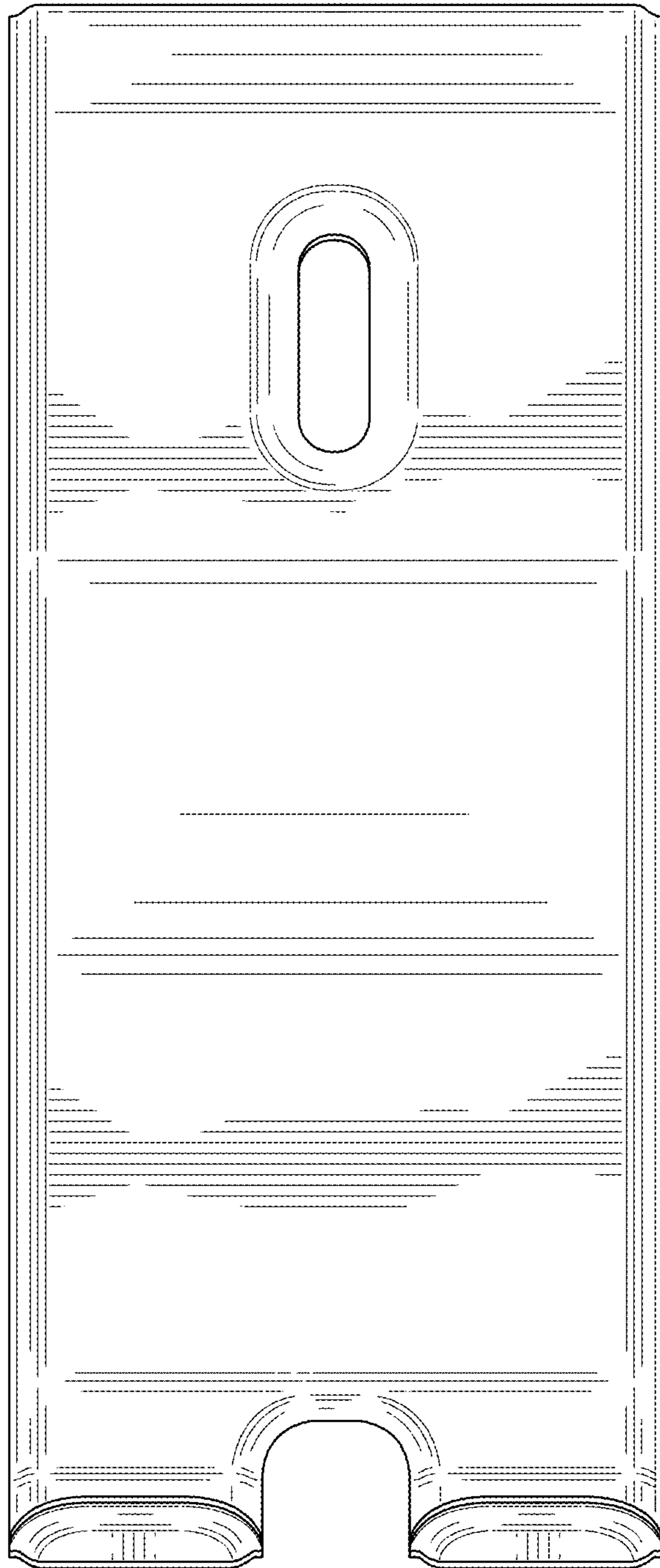


FIG. 4

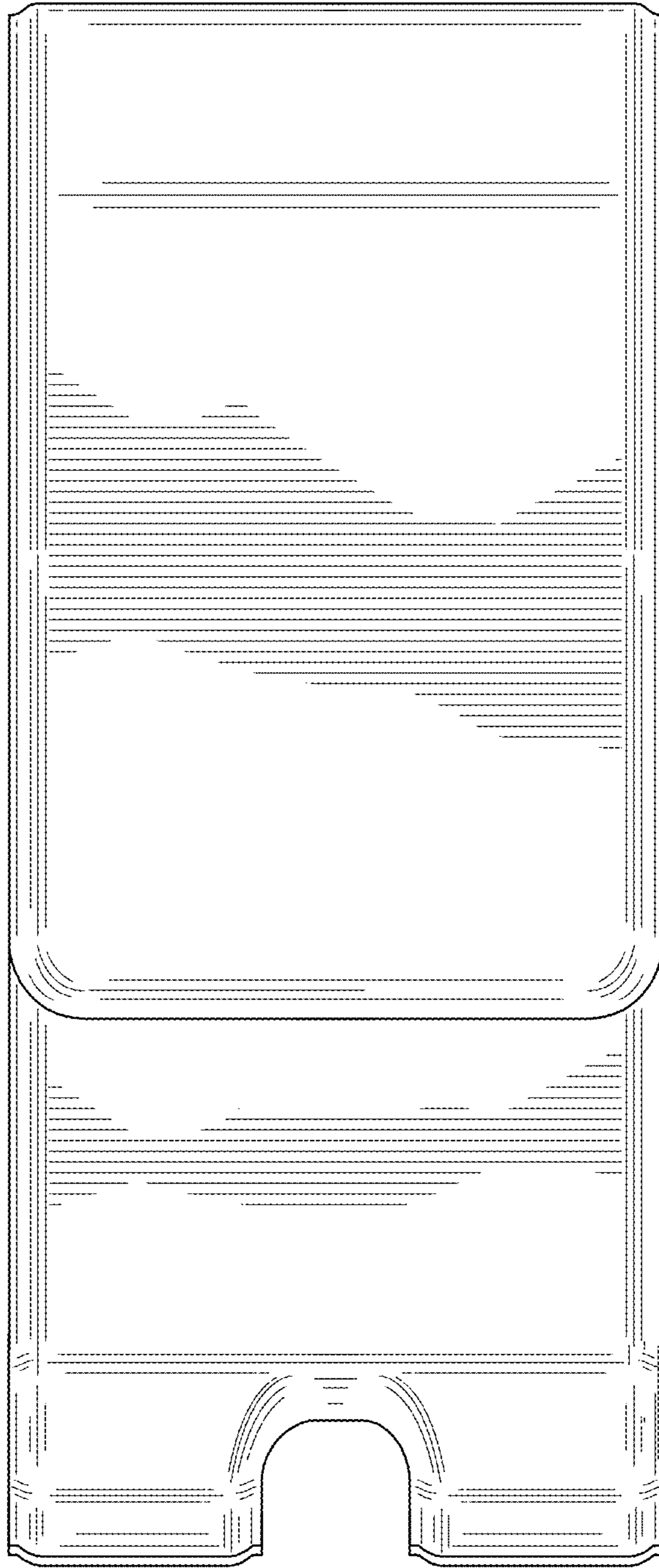


FIG. 5

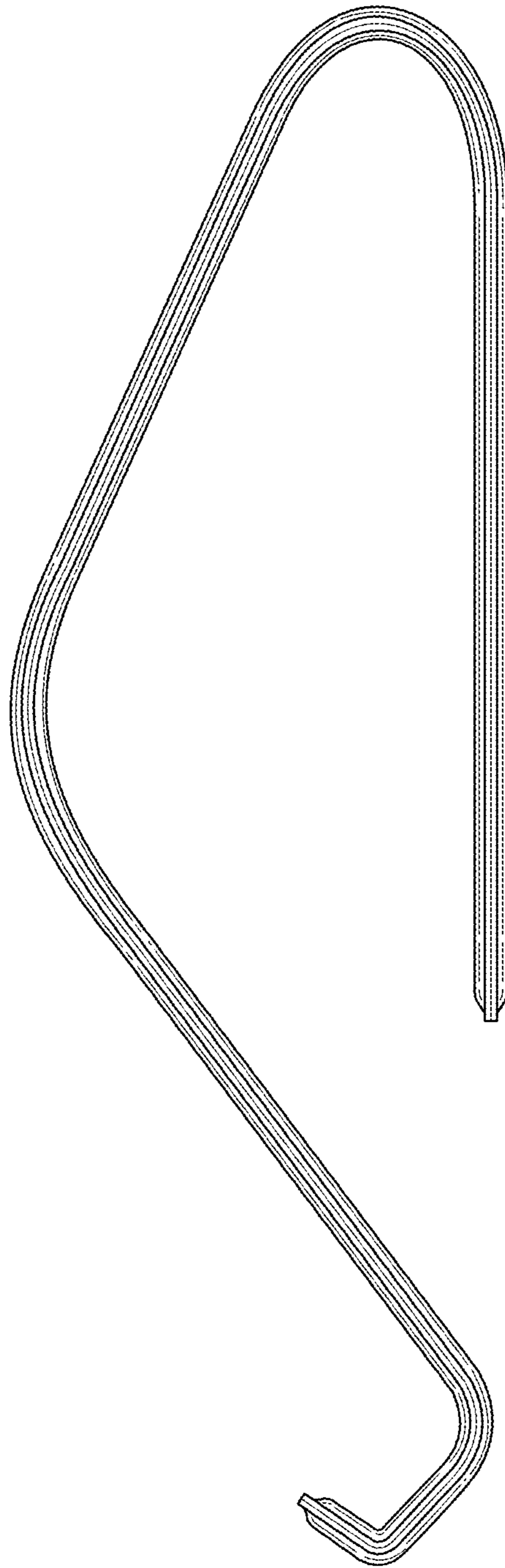


FIG. 6

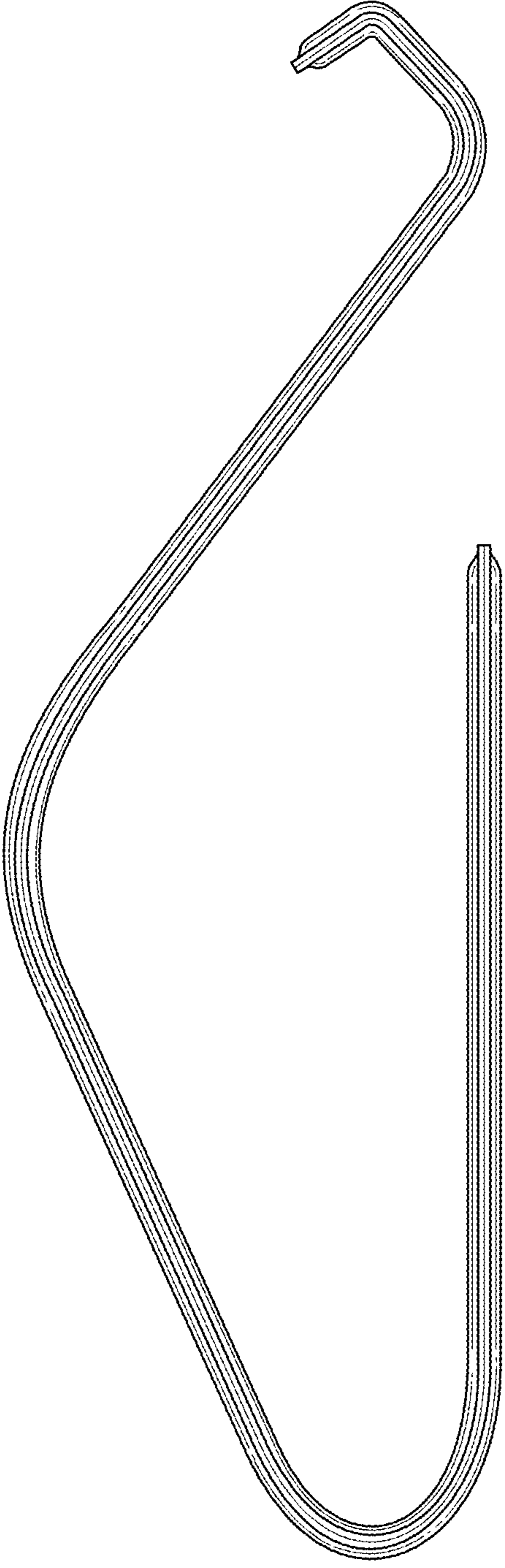


FIG. 7

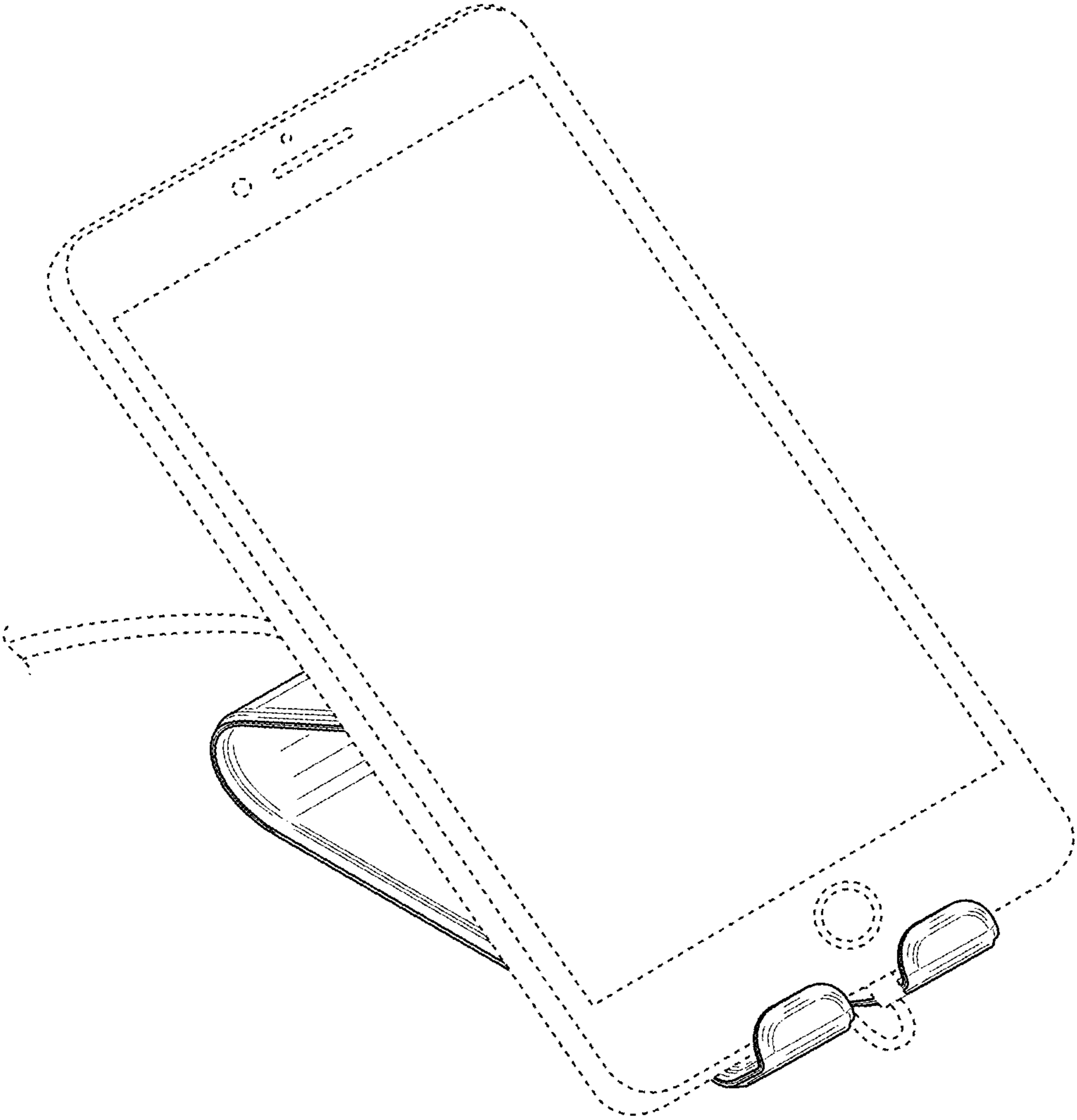


FIG. 8

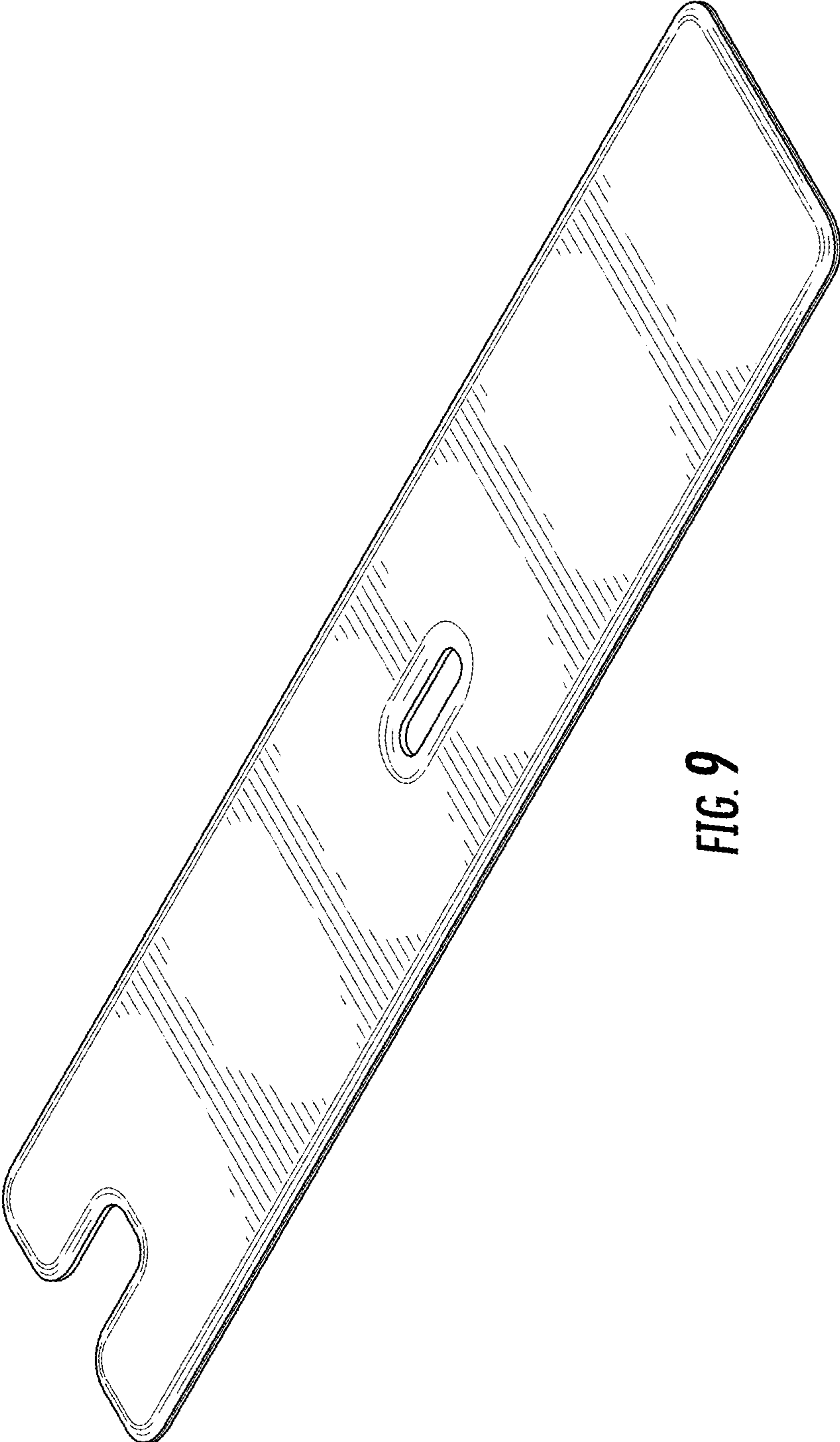


FIG. 9



FIG. 10



FIG. 11

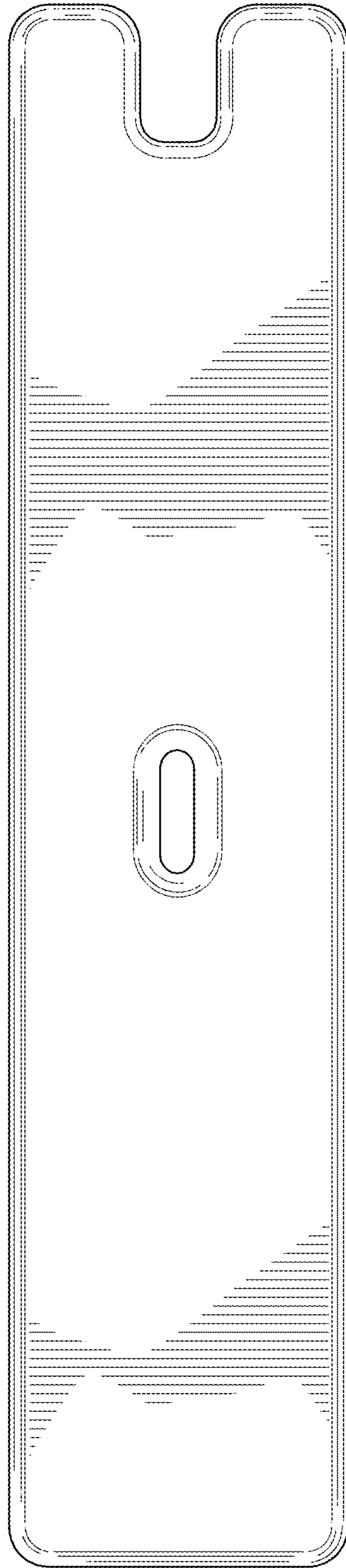


FIG. 12

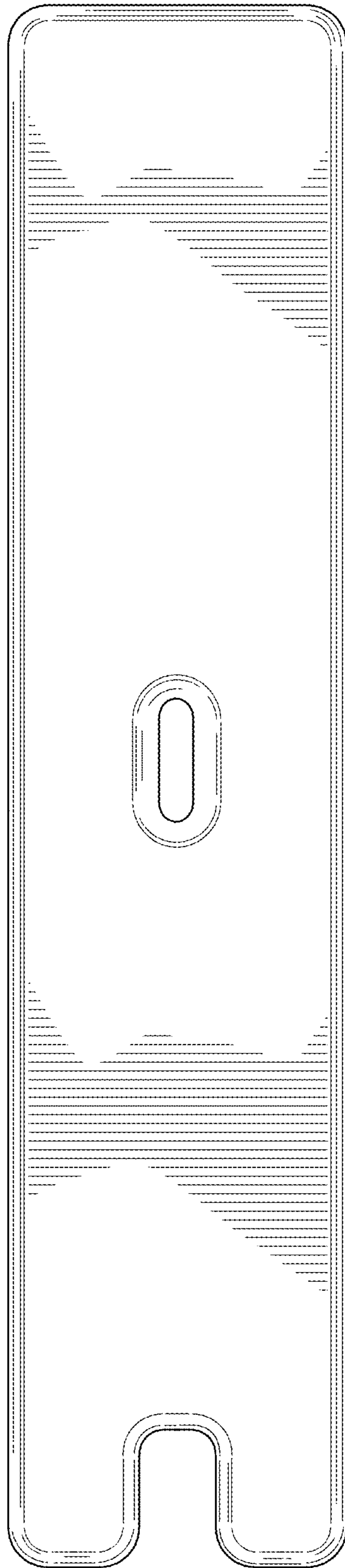


FIG. 13



FIG. 14



FIG. 15