



US00D779477S

(12) **United States Design Patent**
Carnevali

(10) **Patent No.:** **US D779,477 S**

(45) **Date of Patent:** **** Feb. 21, 2017**

(54) **SWING ARM CLAMP**

(71) Applicant: **Jeffrey D. Carnevali**, Seattle, WA (US)

(72) Inventor: **Jeffrey D. Carnevali**, Seattle, WA (US)

(**) Term: **14 Years**

(21) Appl. No.: **29/479,705**

(22) Filed: **Jan. 17, 2014**

Related U.S. Application Data

(63) Continuation-in-part of application No. 29/430,032, filed on Aug. 20, 2012, now abandoned.

(51) **LOC (10) Cl.** **14-03**

(52) **U.S. Cl.**
USPC **D14/253**

(58) **Field of Classification Search**

USPC D14/140, 140.8, 142, 168, 204, 209.1, 217,
D14/221, 243-256, 434, 447, 452;
D3/215, 218, 269; D2/861; D6/300, 310,
D6/467, 553-574; 292/342, 343; D19/90;
D12/411, 415; D13/108; 379/446, 455;
D8/355, 363, 72-73, 354, 394; 248/181.1

CPC F16M 13/00; F16M 11/00
See application file for complete search history.

(56) **References Cited**

U.S. PATENT DOCUMENTS

2,682,127 A * 6/1954 Binder A01K 97/10
24/489
5,845,885 A * 12/1998 Carnevali F16M 11/14
248/181.1
D521,850 S * 5/2006 Richter D8/354
D533,174 S * 12/2006 Richter D14/251
D564,062 S * 3/2008 Carnevali D22/147
D567,810 S * 4/2008 Yeh D14/253
7,464,814 B2 * 12/2008 Carnevali G06F 1/1626
206/320
D588,903 S * 3/2009 Carnevali D8/355

D596,012 S * 7/2009 Ferrer D8/355
7,849,630 B2 * 12/2010 Carnevali A01K 97/10
43/21.2
RE42,060 E * 1/2011 Carnevali F16M 11/14
248/181.1
7,891,618 B2 * 2/2011 Carnevali A47B 21/0314
248/228.5
7,954,773 B2 * 6/2011 Carnevali B60N 3/103
220/737
RE42,581 E * 8/2011 Carnevali F16M 11/14
248/181.1
D654,120 S * 2/2012 Lin D14/434
8,235,340 B2 * 8/2012 Carnevali F16B 2/065
248/231.71
RE43,806 E * 11/2012 Carnevali F16M 11/14
248/181.1

(Continued)

Primary Examiner — Susan Bennett Hattan

Assistant Examiner — Janice Hallmark

(74) *Attorney, Agent, or Firm* — Charles J. Rupnick

(57) **CLAIM**

The ornamental design for a swing arm clamp, as shown and described.

DESCRIPTION

FIG. 1 is a perspective view of a swing arm clamp showing my new design;

FIG. 2 is a top elevational view thereof;

FIG. 3 is a first side elevational view thereof;

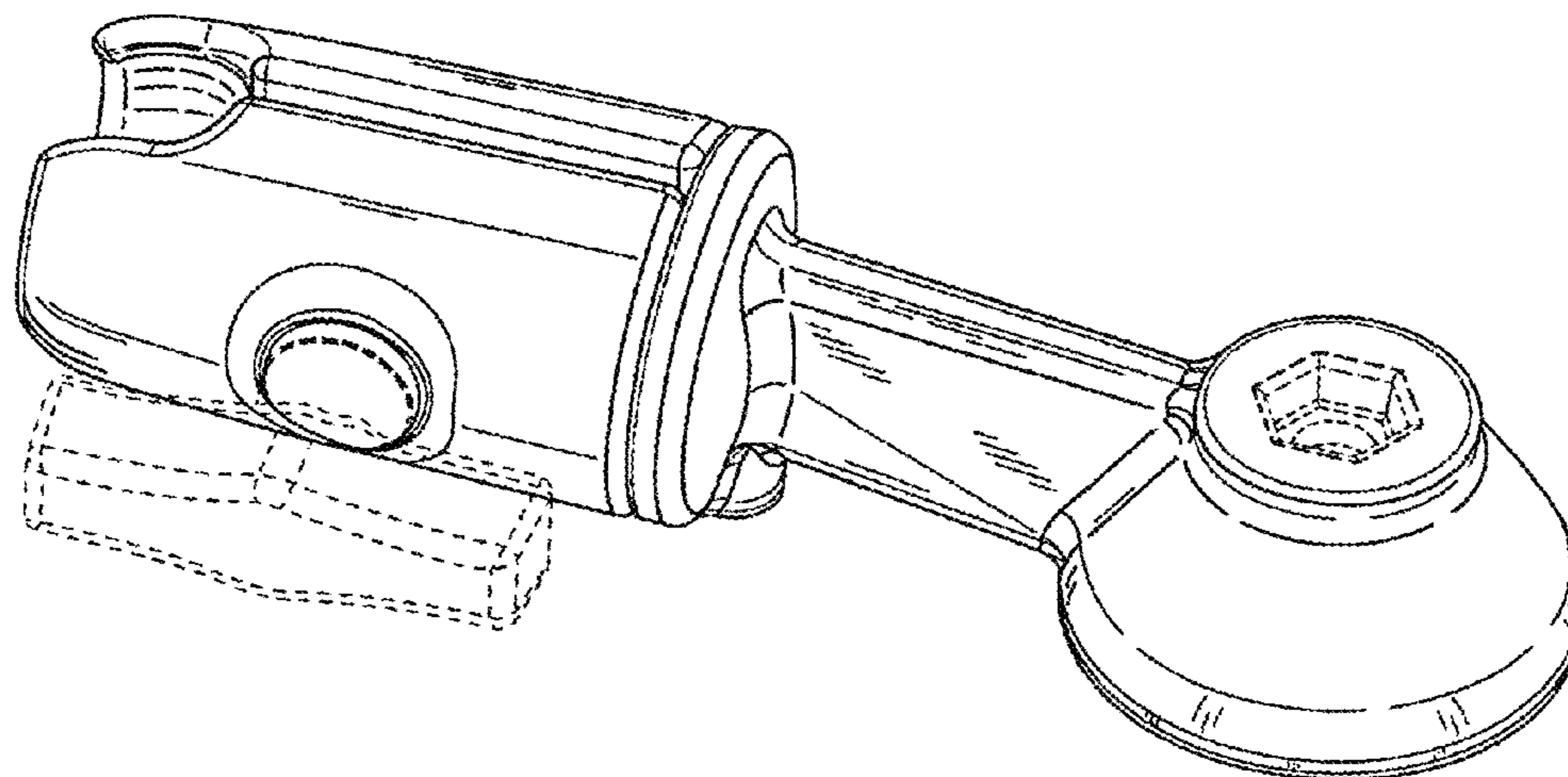
FIG. 4 is a front side elevational view thereof;

FIG. 5 is a bottom elevational view thereof; and,

FIG. 6 is a second side elevational view thereof.

The dash-dash broken lines depict a clamp handle and parts of the swing arm clamp in FIGS. 1 through FIG. 5 that form no part of the claimed design. The dash-dot-dash broken lines depict the bounds of the claim in FIG. 5 and FIG. 6. All broken lines form no part of the claimed design.

1 Claim, 3 Drawing Sheets



(56)

References Cited

U.S. PATENT DOCUMENTS

2005/0092877 A1* 5/2005 Carnevali F16M 11/40
248/160
2006/0000957 A1* 1/2006 Carnevali F16M 11/14
248/181.1
2006/0026807 A1* 2/2006 Carnevali B60R 11/0241
24/523
2006/0175766 A1* 8/2006 Carnevali B63B 49/00
277/628
2006/0256400 A1* 11/2006 Carnevali G06K 7/109
358/473
2007/0012825 A1* 1/2007 Yeh F16M 11/105
248/122.1
2008/0061197 A1* 3/2008 Carnevali F16M 11/14
248/181.1
2008/0061210 A1* 3/2008 Carnevali A47B 23/043
248/447
2009/0050758 A1* 2/2009 Carnevali F16B 47/00
248/205.8
2009/0108151 A1* 4/2009 Carnevali F16B 47/00
248/205.3
2009/0108152 A1* 4/2009 Carnevali F16B 47/00
248/205.5
2012/0317776 A1* 12/2012 Carnevali F16M 11/041
29/428
2013/0068915 A1* 3/2013 Yang F16M 11/041
248/551
2013/0206942 A1* 8/2013 Trotsky F16M 11/041
248/274.1

* cited by examiner

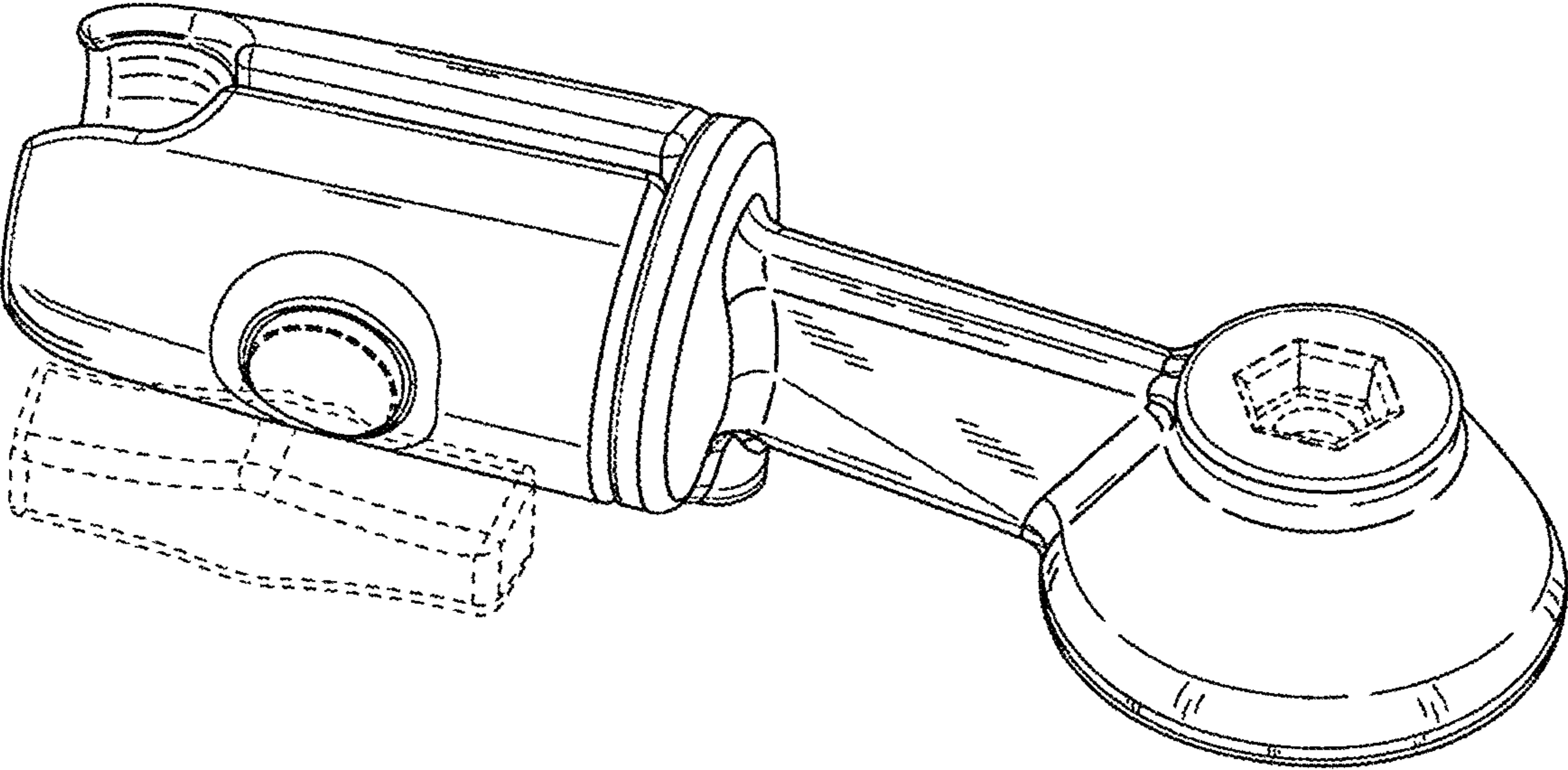


FIG. 1

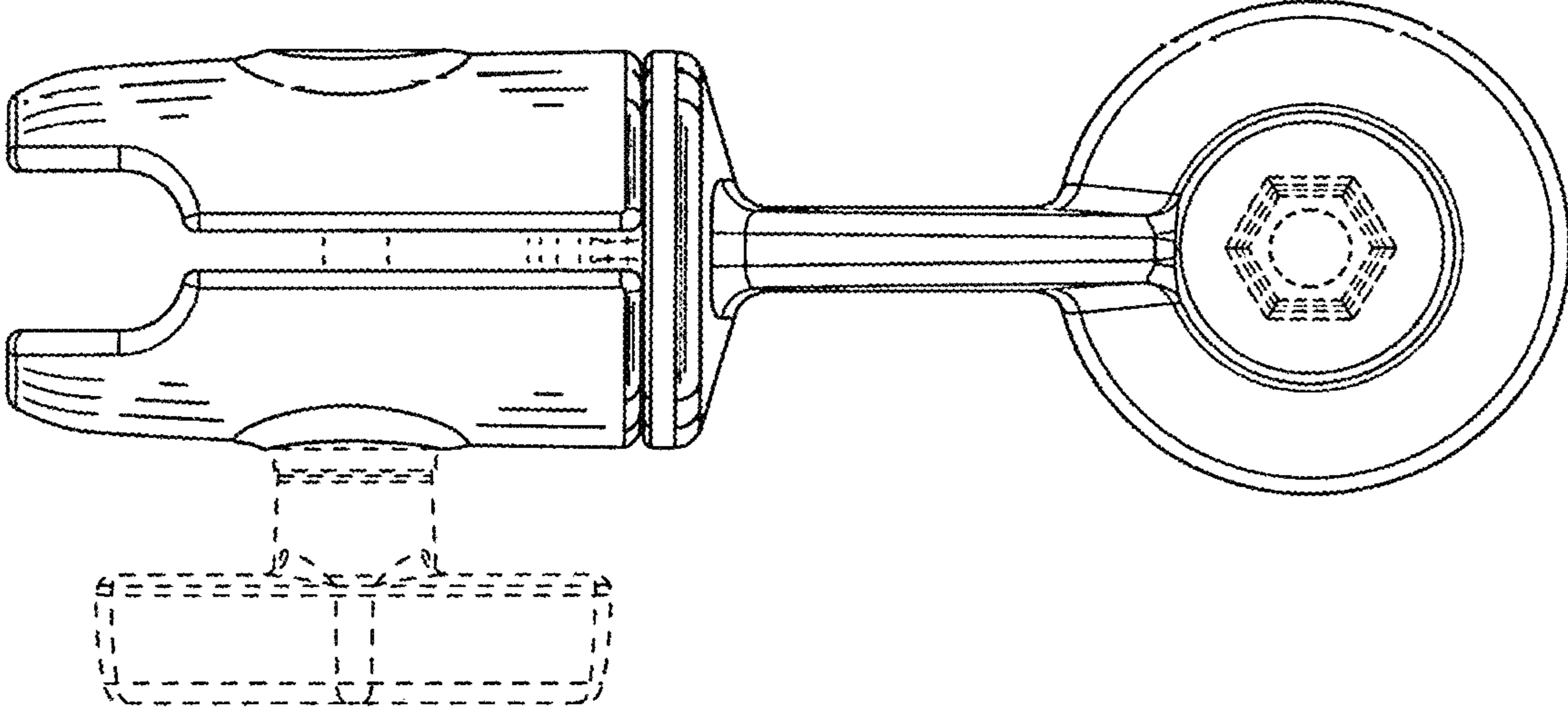


FIG. 2

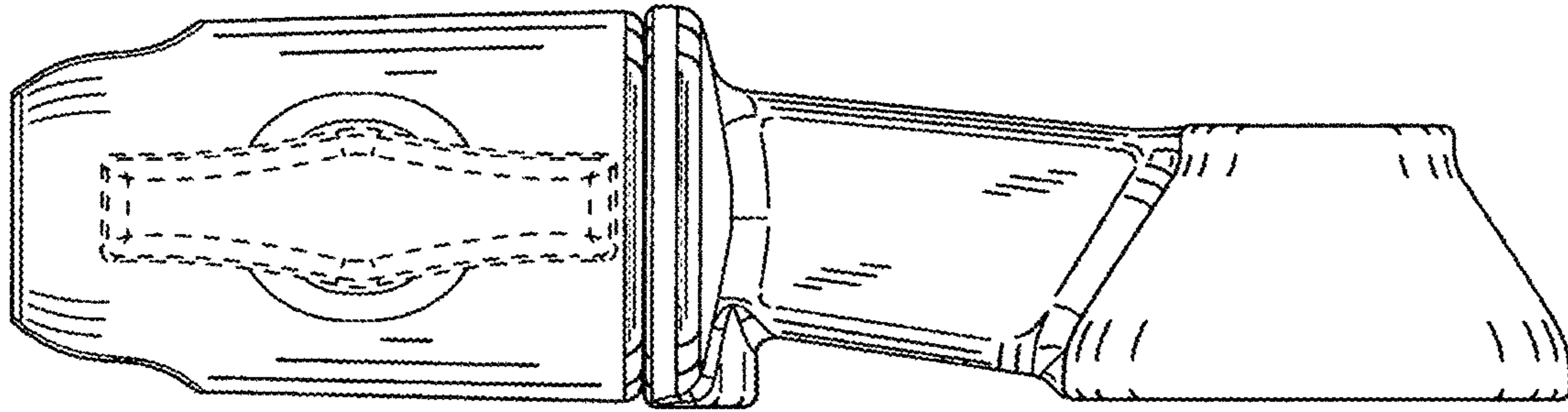


FIG. 3

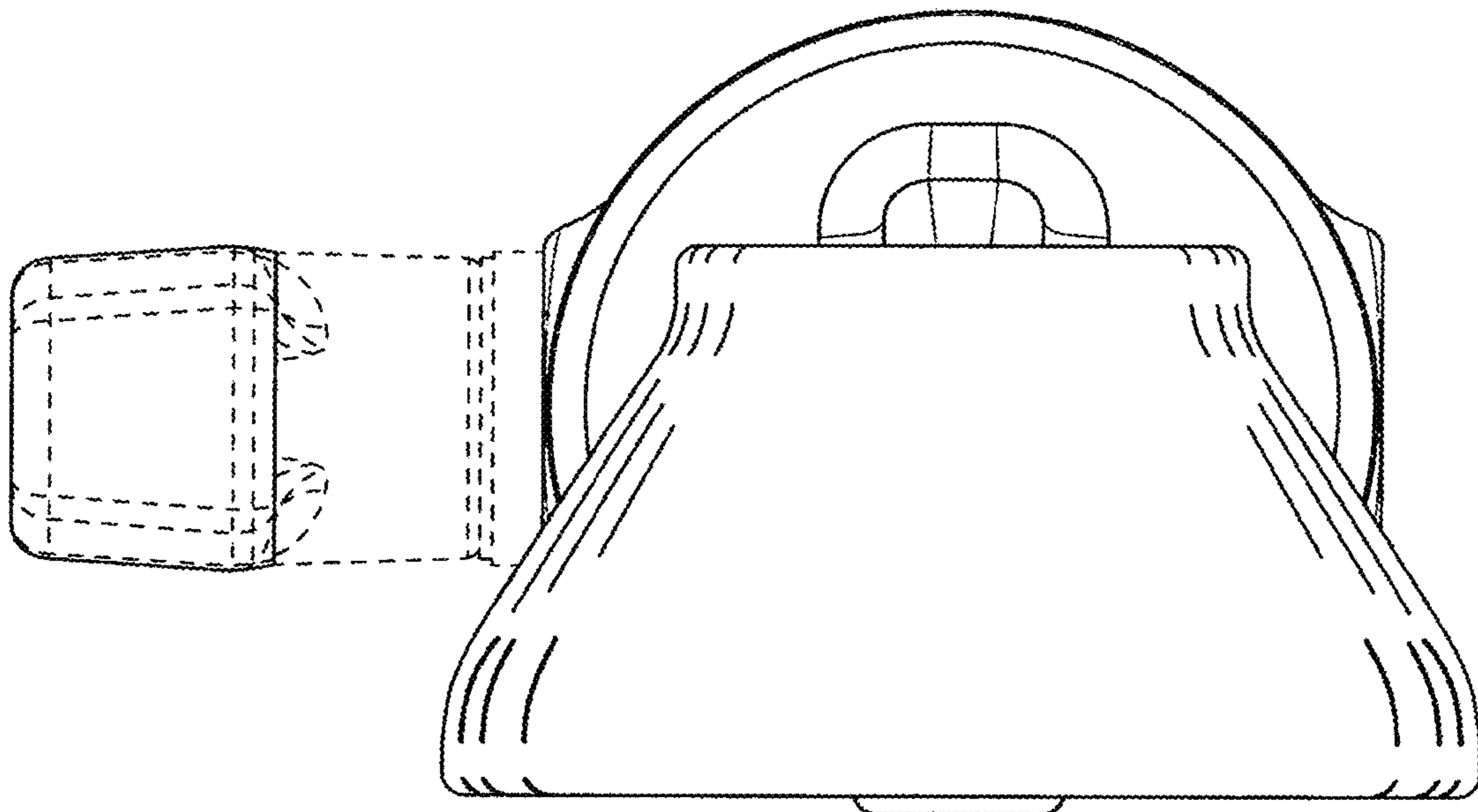


FIG. 4

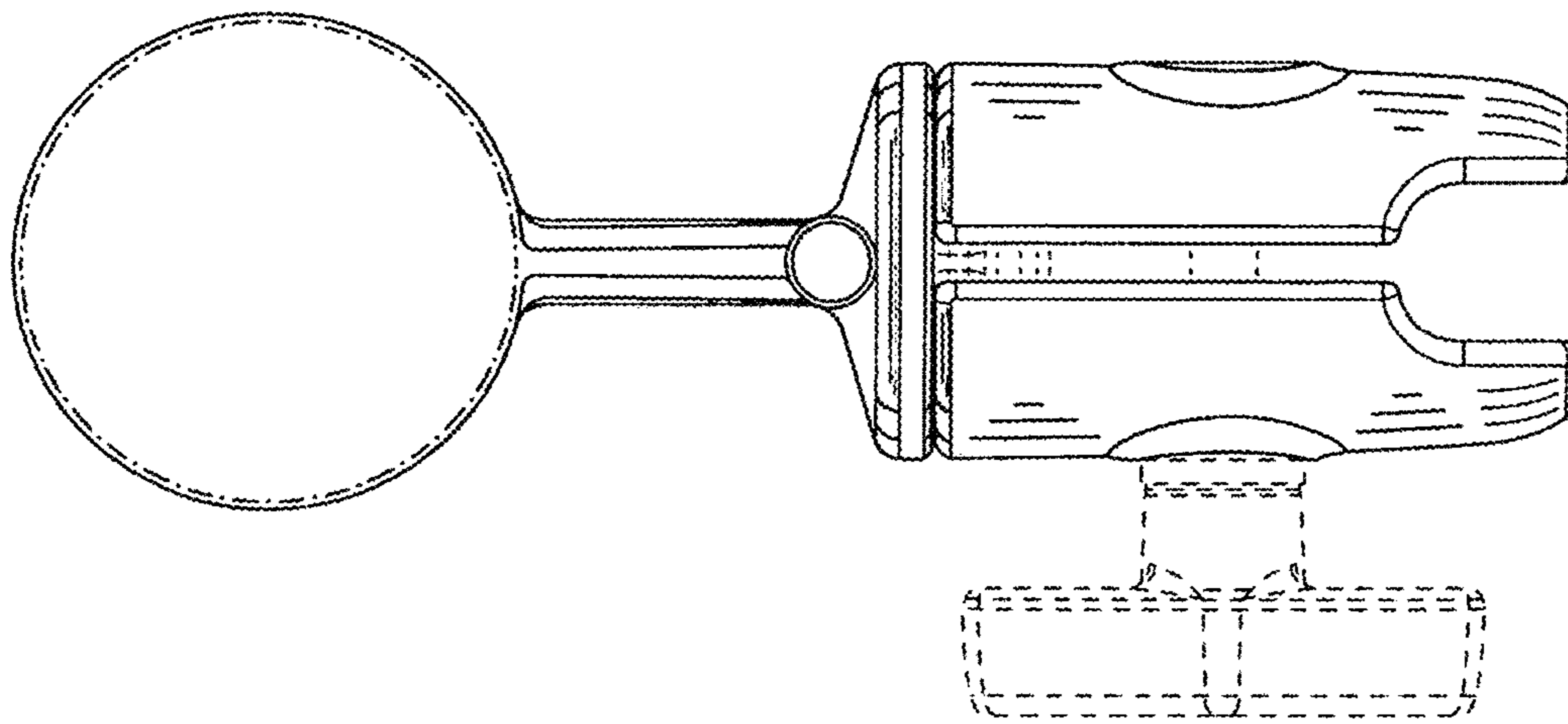


FIG. 5

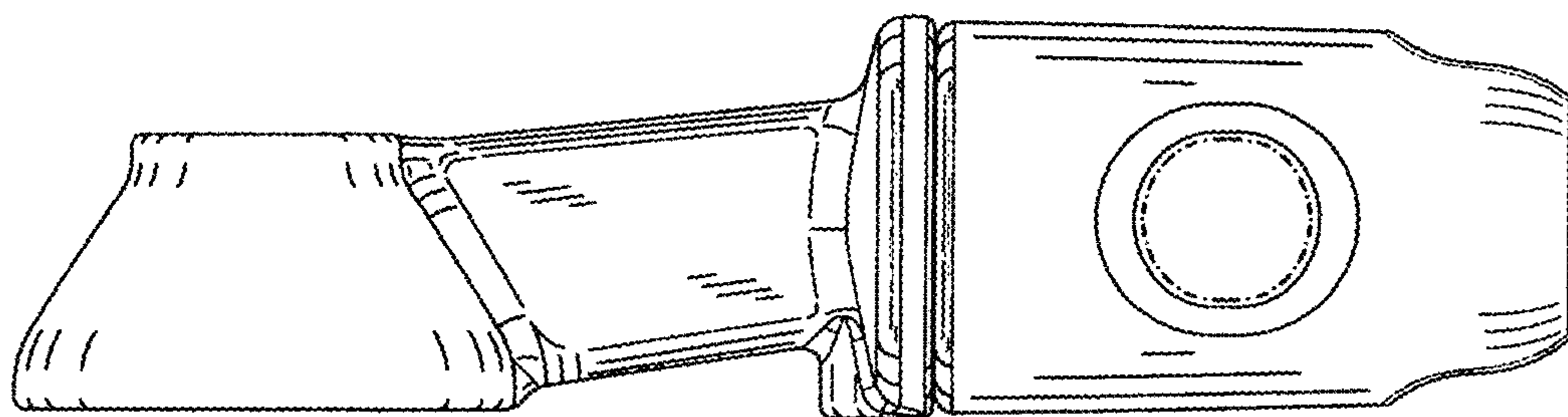


FIG. 6