



US00D779474S

(12) **United States Design Patent** (10) **Patent No.:** **US D779,474 S**  
**Kim** (45) **Date of Patent:** **\*\* Feb. 21, 2017**

- (54) **CELLULAR PHONE CASE**
- (71) Applicant: **CRUCIALTEC CO., LTD.,**  
Gyeonggi-do (KR)
- (72) Inventor: **So Young Kim, Gyeonggi-do (KR)**
- (73) Assignee: **CRUCIALTEC CO., LTD.,**  
Gyeonggi-Do (KR)
- (\*\*) Term: **15 Years**
- (21) Appl. No.: **29/548,546**
- (22) Filed: **Dec. 15, 2015**
- (30) **Foreign Application Priority Data**  
Oct. 13, 2015 (KR) ..... 30-2015-0051517
- (51) **LOC (10) Cl.** ..... **14-03**
- (52) **U.S. Cl.**  
USPC ..... **D14/250**
- (58) **Field of Classification Search**  
USPC ..... D14/238.1, 248, 440, 203.3-203.7, 217,  
D14/240, 447, 496, 250, 251-253;  
D3/201, 218, 247, 269, 273, 301, 303;  
D13/103, 107-108, 119  
CPC . H04B 1/3888; H04M 1/0283; H04M 1/0202;  
A45C 1/06; A45C 2011/002; A45C 11/00;  
A45C 13/02; A45F 2005/026; A45F  
2200/0525; A45F 2200/0516  
See application file for complete search history.

- (56) **References Cited**  
**U.S. PATENT DOCUMENTS**  
D414,033 S \* 9/1999 Rohm ..... D3/201  
D517,803 S \* 3/2006 Brown ..... D3/247  
D557,495 S \* 12/2007 Chan ..... D3/218  
D586,121 S \* 2/2009 Holzner ..... D3/247  
D615,298 S \* 5/2010 Lasuik ..... D3/247  
D621,396 S \* 8/2010 Lee ..... D14/252

- D670,293 S \* 11/2012 Shimizu ..... D14/440
- D678,291 S \* 3/2013 Phillips ..... D14/440
- D678,884 S \* 3/2013 Phillips ..... D14/440
- D698,148 S \* 1/2014 Sassi ..... D3/247
- D714,054 S \* 9/2014 Kershenstein ..... D3/269
- D722,059 S \* 2/2015 Hirst ..... D14/440
- D724,092 S \* 3/2015 Zangari ..... D14/440
- D729,522 S \* 5/2015 Kim ..... D3/218
- 9,110,630 B2 \* 8/2015 Cakir ..... H04B 1/3888
- D737,828 S \* 9/2015 Albano ..... D14/440
- D739,408 S \* 9/2015 Kim ..... D14/440
- D741,867 S \* 10/2015 Liu ..... D14/440
- D745,780 S \* 12/2015 Feng ..... D3/269
- D748,084 S \* 1/2016 Kim ..... D14/250
- D755,168 S \* 5/2016 Kim ..... D14/250
- D757,431 S \* 5/2016 Requa ..... D3/247
- D762,615 S \* 8/2016 Kim ..... D14/203.4
- D765,631 S \* 9/2016 Harata ..... D14/250
- 2015/0155902 A1 \* 6/2015 Lin ..... H04B 1/3888  
455/575.8

(Continued)

*Primary Examiner* — Carla Jobe Wright  
(74) *Attorney, Agent, or Firm* — Saliwanchik, Lloyd & Eisenschenk

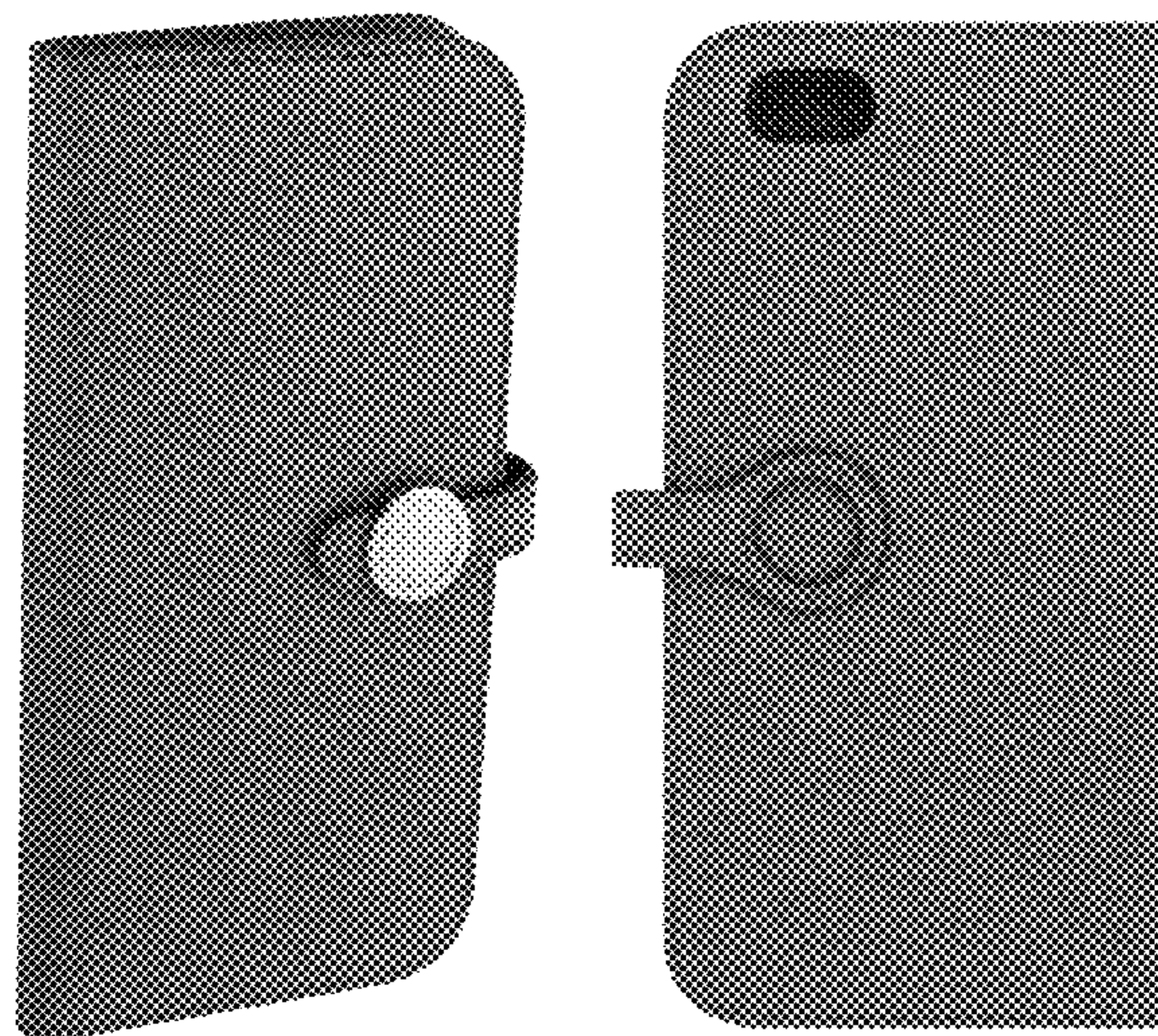
(57) **CLAIM**

The ornamental design for a cellular phone case, as shown and described.

**DESCRIPTION**

FIG. 1 is a front perspective view of a cellular phone case showing my new design;  
FIG. 2 is a front elevation view thereof;  
FIG. 3 is a rear elevation view thereof;  
FIG. 4 is a left-side elevation view thereof;  
FIG. 5 is a right-side elevation view thereof;  
FIG. 6 is a top plan view thereof;  
FIG. 7 is a bottom plan view thereof; and,  
FIG. 8 is a perspective view thereof showing the cellular phone case in an open configuration and showing the interior thereof.

**1 Claim, 7 Drawing Sheets**



(56)

**References Cited**

U.S. PATENT DOCUMENTS

2015/0230570 A1\* 8/2015 Kim ..... A45C 1/06  
150/139

\* cited by examiner



FIG. 1





FIG. 2





FIG. 3

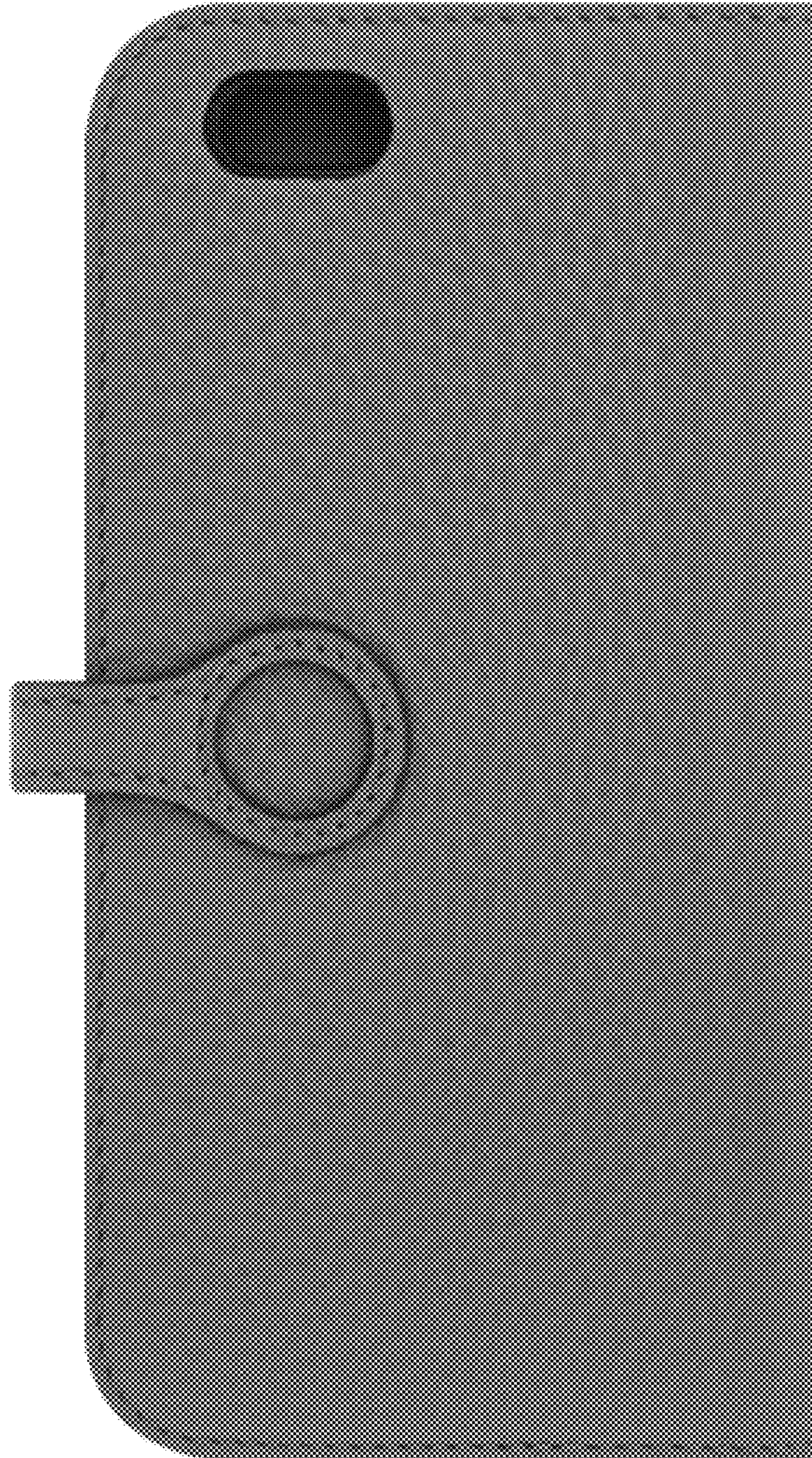




FIG. 4

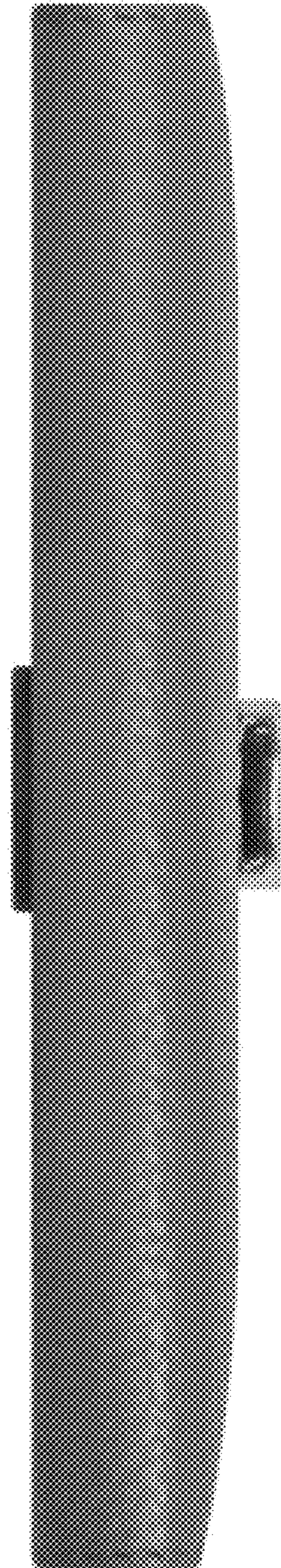


FIG. 5

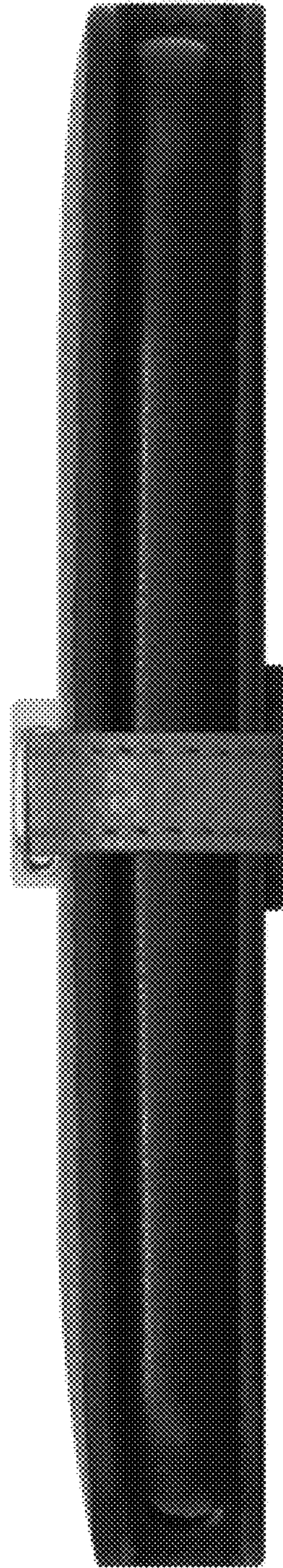




FIG. 6

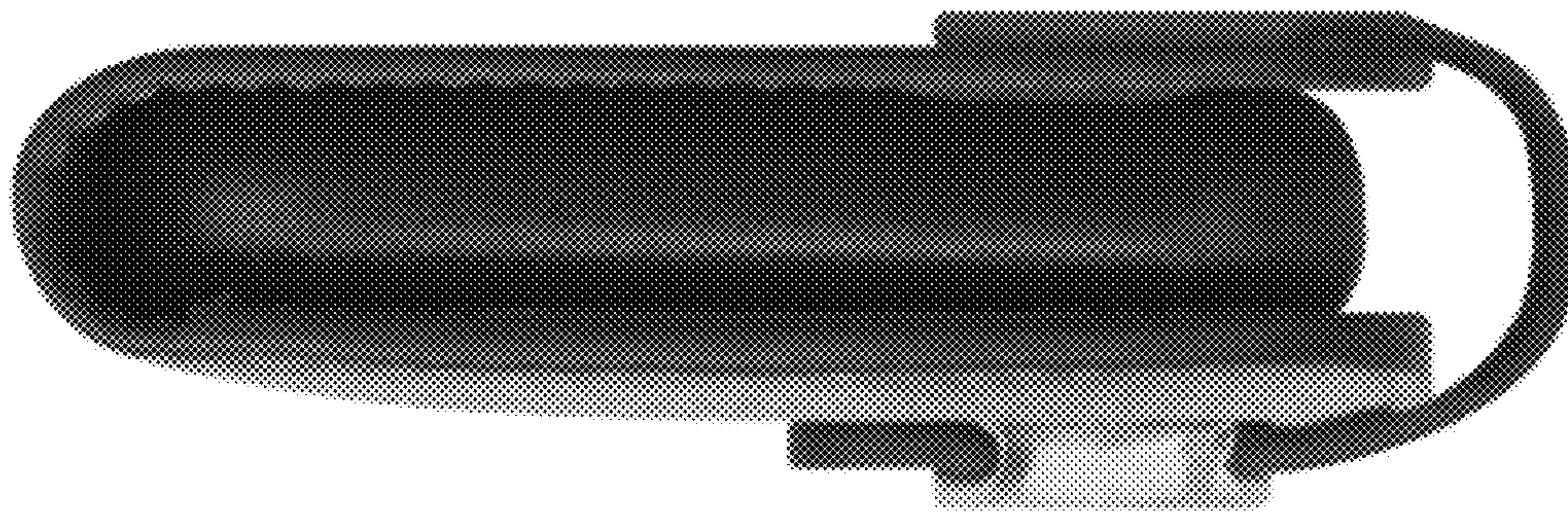


FIG. 7

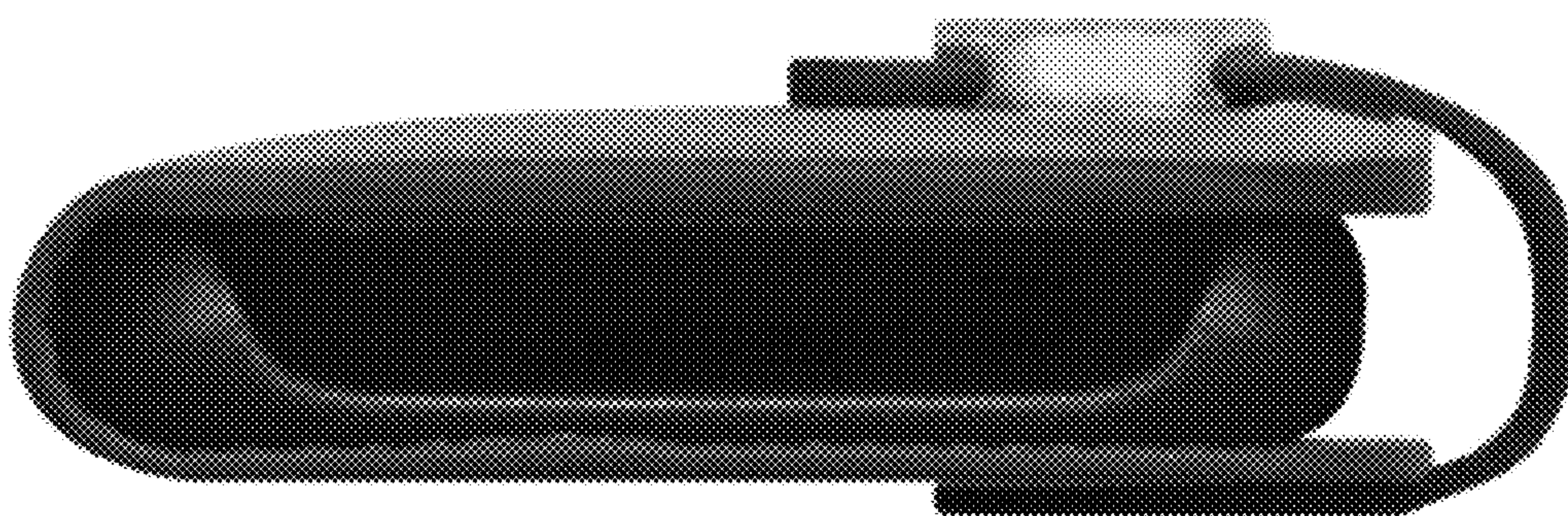




FIG. 8

