



US00D779471S

(12) **United States Design Patent**
Tien

(10) **Patent No.:** **US D779,471 S**

(45) **Date of Patent:** **** Feb. 21, 2017**

(54) **PROTECTIVE COVER FOR MOBILE PHONE**

(71) Applicant: **HON HAI PRECISION INDUSTRY CO., LTD.**, New Taipei (TW)

(72) Inventor: **Li-Wen Tien**, New Taipei (TW)

(73) Assignee: **HON HAI PRECISION INDUSTRY CO., LTD.**, New Taipei (TW)

(**) Term: **14 Years**

(21) Appl. No.: **29/503,133**

(22) Filed: **Sep. 23, 2014**

(30) **Foreign Application Priority Data**

Aug. 27, 2014 (CN) 2014 3 0311492

(51) **LOC (10) Cl.** **14-03**

(52) **U.S. Cl.**
USPC **D14/250**

(58) **Field of Classification Search**
USPC D14/238.1, 250, 440, 203.3-203.7, 217, D14/240, 248, 251-253, 447, 496, 143, D14/189, 203.2; D3/201, 218, 247, 269, D3/273, 301, 303; D13/103, 107-108, D13/119
CPC A45C 1/06; A45C 11/00; A45C 13/02; A45C 2011/002; A45F 2005/026; A45F 2200/0525; A45F 2200/0516; H04B 1/3888; H04M 1/0283; H04M 1/0202
See application file for complete search history.

(56) **References Cited**

U.S. PATENT DOCUMENTS

D675,604 S * 2/2013 Limber D14/250
D682,260 S * 5/2013 Tages D14/250
D684,150 S * 6/2013 Goradesky D14/250
D685,361 S * 7/2013 Goradesky D14/250

8,509,865 B1 * 8/2013 LaColla H04M 1/04 455/556.1
D691,123 S * 10/2013 Lay D14/250
D694,742 S * 12/2013 Pan D14/250
D697,060 S * 1/2014 Yang D14/250
D699,716 S * 2/2014 Pan D14/250
D706,256 S * 6/2014 Ward D14/250
D706,754 S * 6/2014 Goradesky D14/250
D717,781 S * 11/2014 Kim D14/250
D718,316 S * 11/2014 Veltz D14/440
D719,947 S * 12/2014 Kobayashi D14/250
D720,735 S * 1/2015 Turocy D14/250
D721,065 S * 1/2015 Yoon D14/250
D721,066 S * 1/2015 Yoon D14/250

(Continued)

FOREIGN PATENT DOCUMENTS

JP D1451635 9/2012

Primary Examiner — Carla Jobe Wright

(74) *Attorney, Agent, or Firm* — Zhigang Ma

(57) **CLAIM**

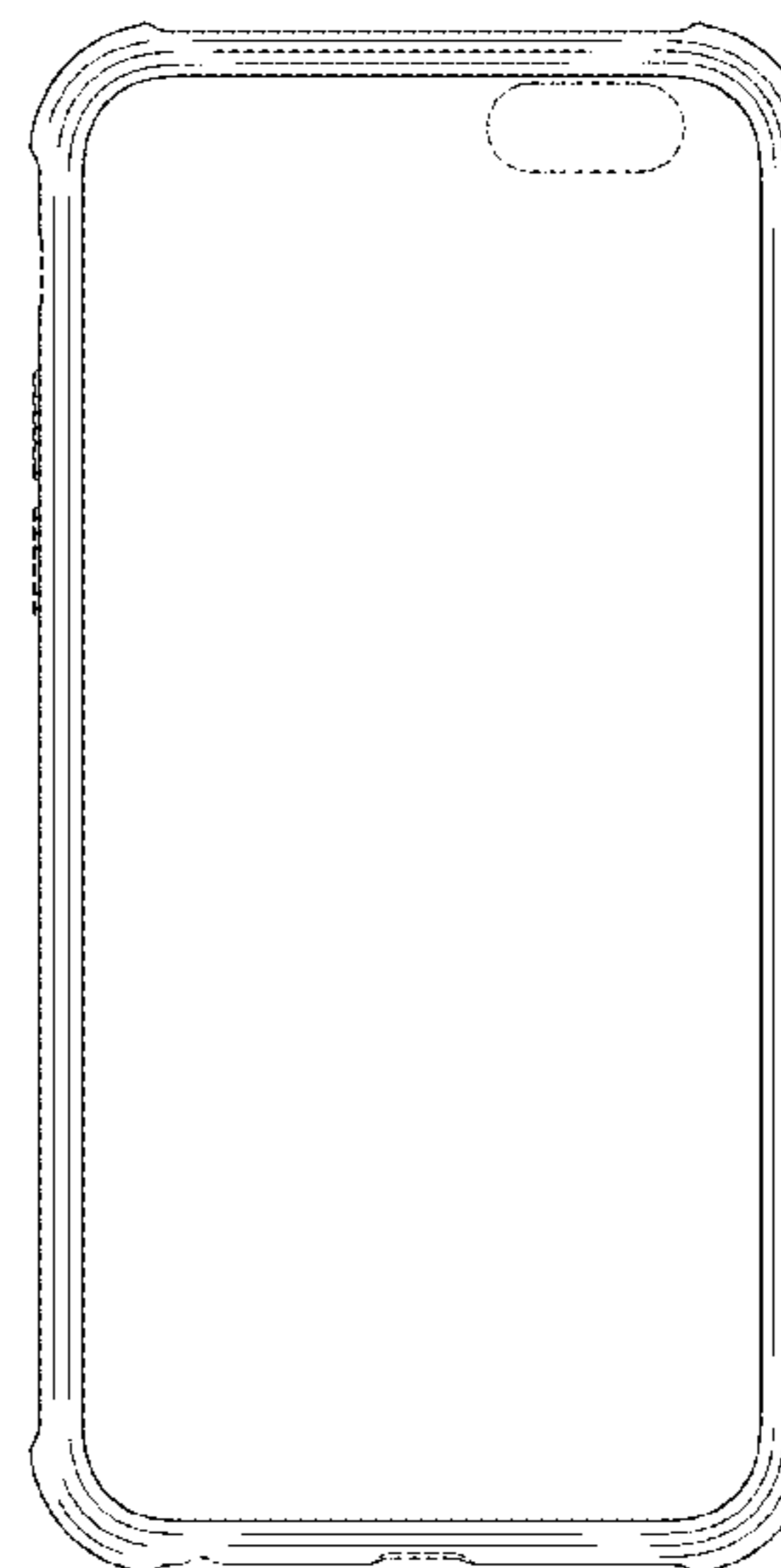
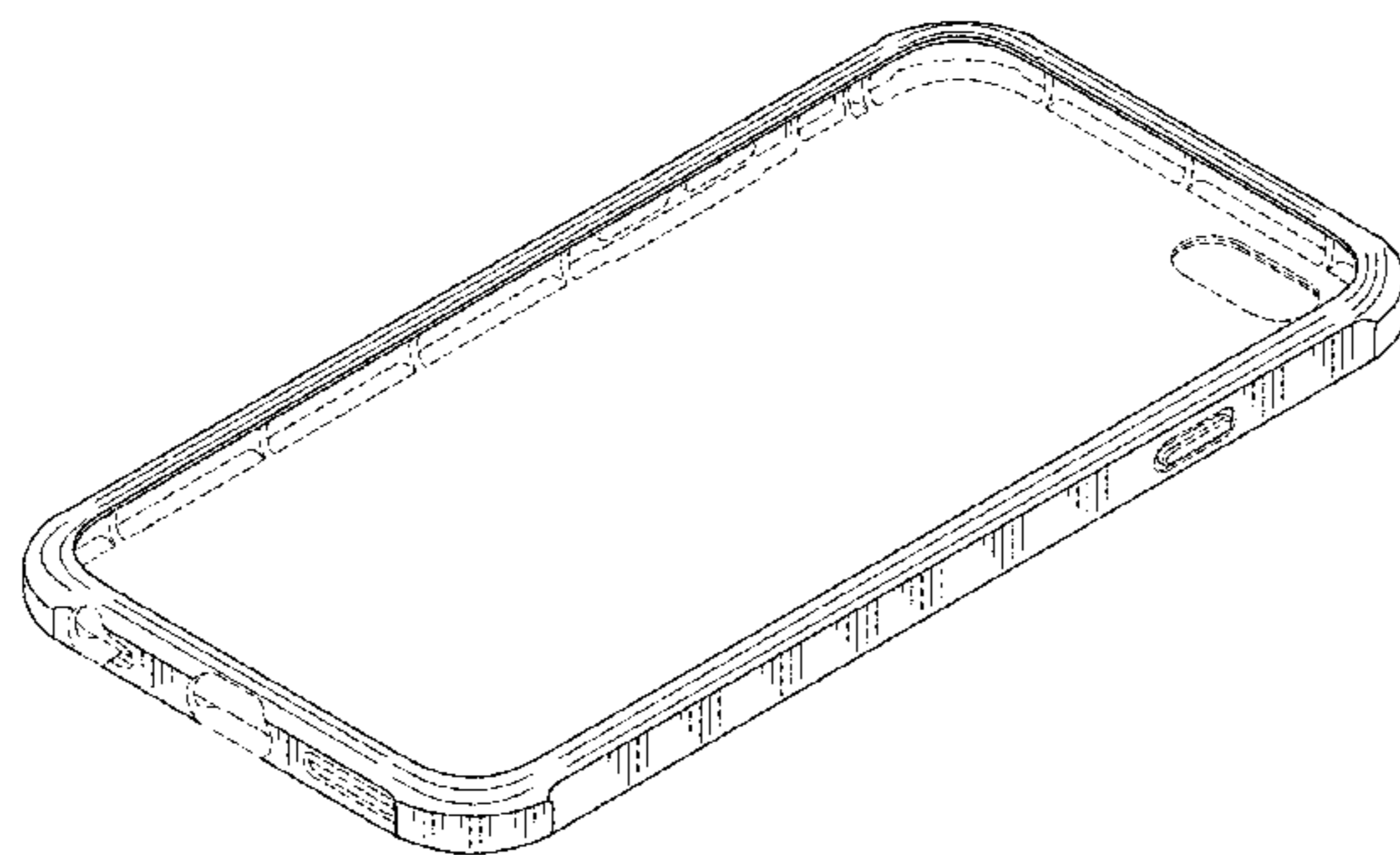
I claim the ornamental design for a protective cover for mobile phone, as shown and described.

DESCRIPTION

FIG. 1 is a perspective view of a protective cover for mobile phone;
FIG. 2 is a front elevational view thereof;
FIG. 3 is a rear elevational view thereof;
FIG. 4 is a left side elevational view thereof;
FIG. 5 is a right side elevational view thereof;
FIG. 6 is a top plan view thereof; and,
FIG. 7 is a bottom plan view thereof.

The broken lines immediately adjacent to the shaded surfaces represent the bounds of the claimed design. All other broken lines depict environmental subject matter. The unshaded interior of the case shown in FIGS. 1-2, the broken lines throughout the figures, and the unshaded areas bounded by broken lines form no part of the claimed design.

1 Claim, 7 Drawing Sheets



(56)

References Cited

U.S. PATENT DOCUMENTS

8,950,582 B2 * 2/2015 Chang B65D 81/022
206/521
D728,549 S * 5/2015 Su D14/250
D746,801 S * 1/2016 Pan D14/250
9,254,023 B2 * 2/2016 Su A45C 11/00
2012/0325720 A1 * 12/2012 Tages G06F 1/1633
206/522
2013/0206633 A1 * 8/2013 Jensen A45C 11/00
206/521
2013/0271897 A1 * 10/2013 Limber H04B 1/3888
361/679.01
2013/0331155 A1 * 12/2013 Tages H04M 1/0283
455/575.8
2014/0076753 A1 * 3/2014 Limber H04B 1/3888
206/320
2014/0216973 A1 * 8/2014 Chang B65D 81/022
206/521

* cited by examiner

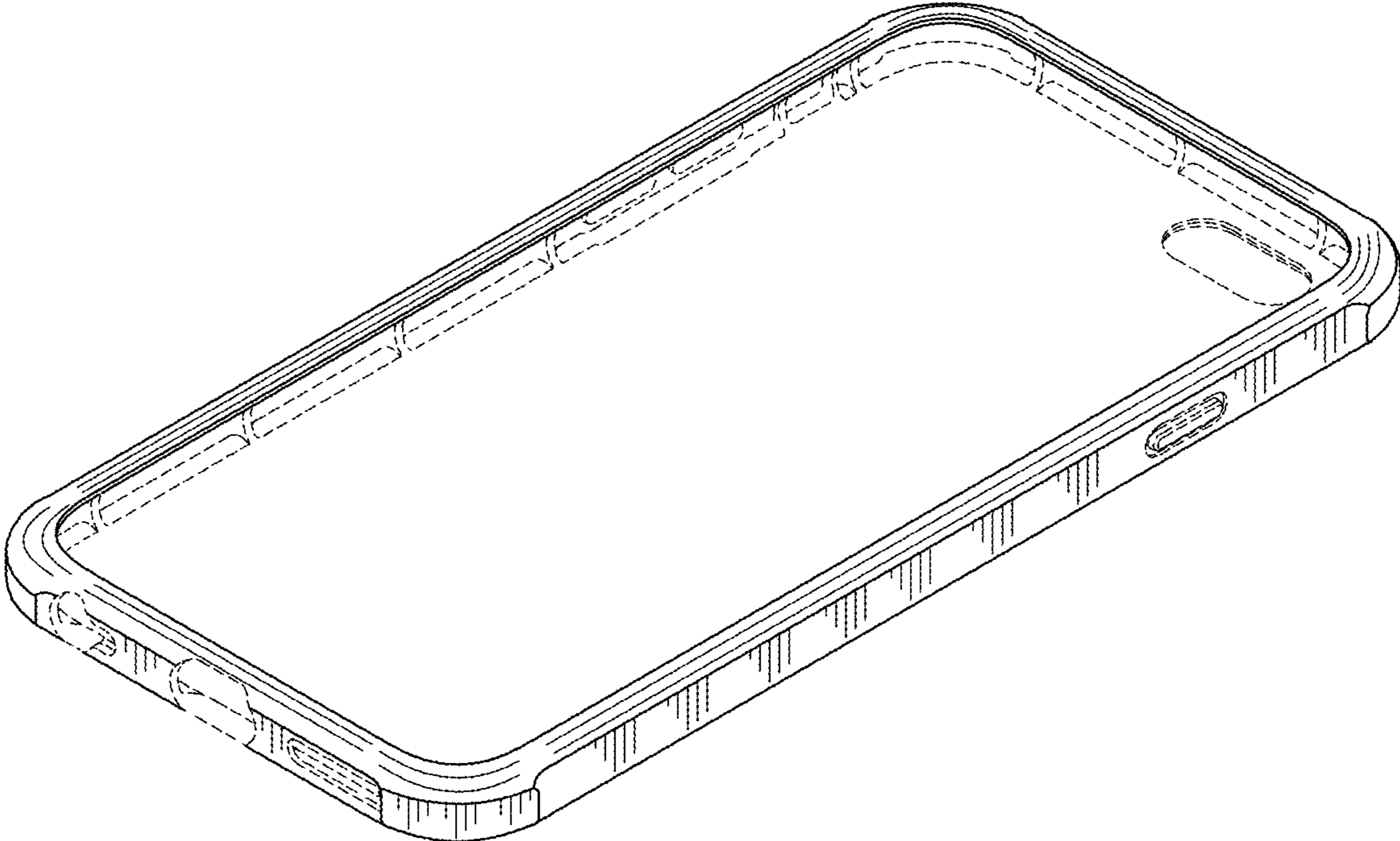


FIG. 1

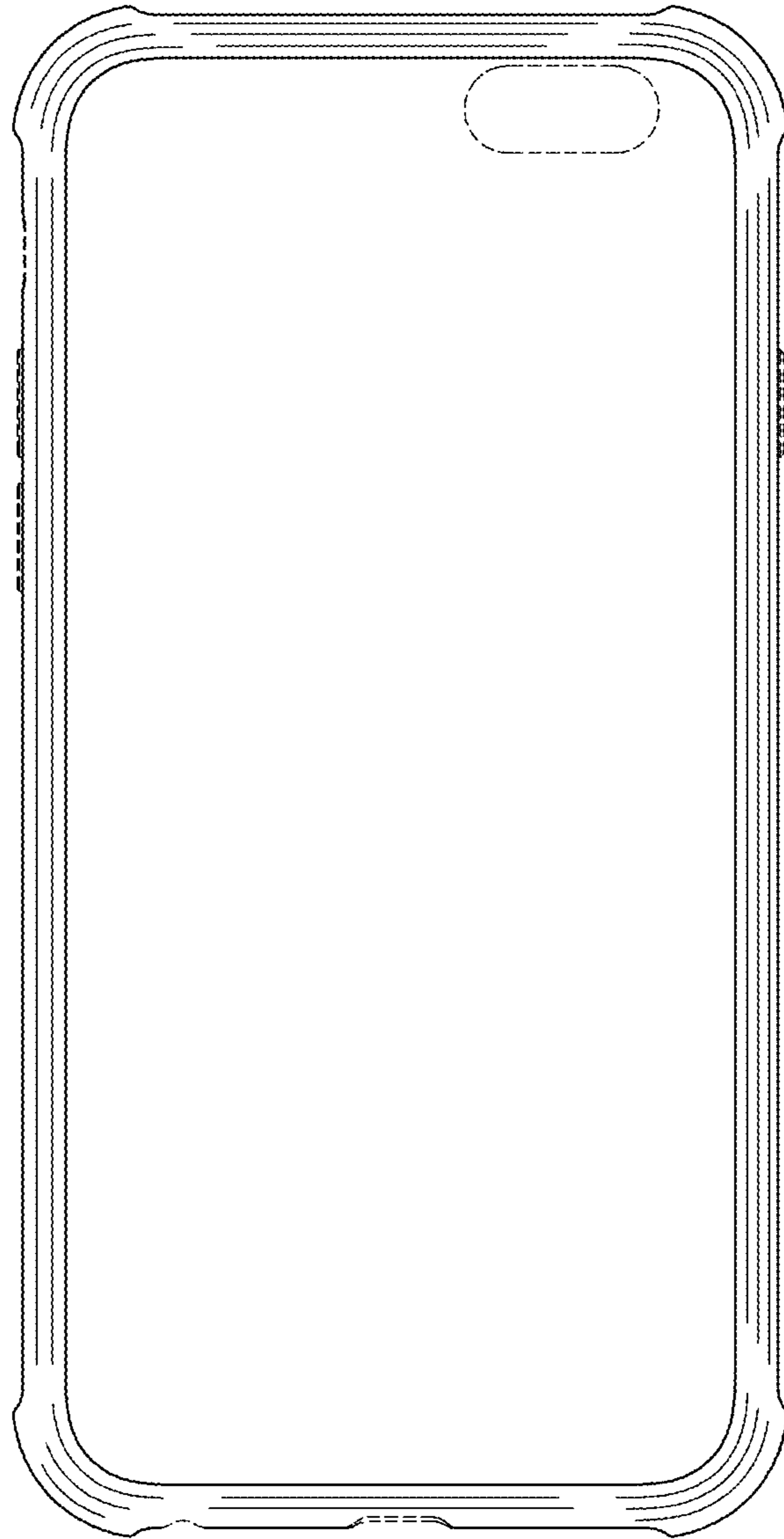


FIG. 2

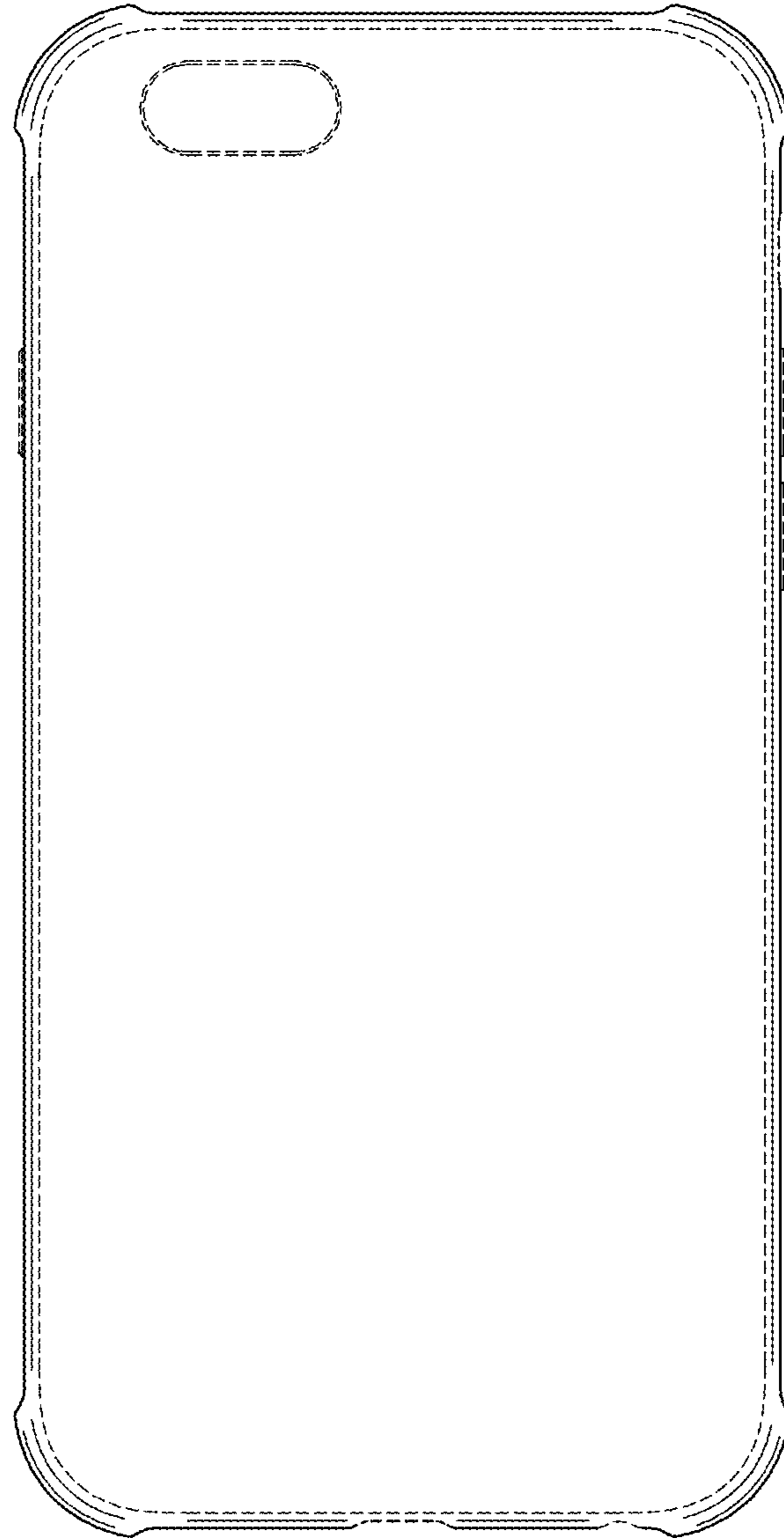


FIG. 3

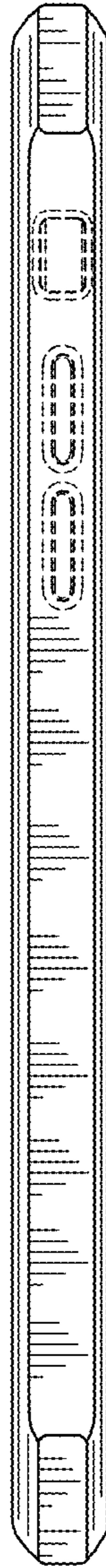


FIG. 4

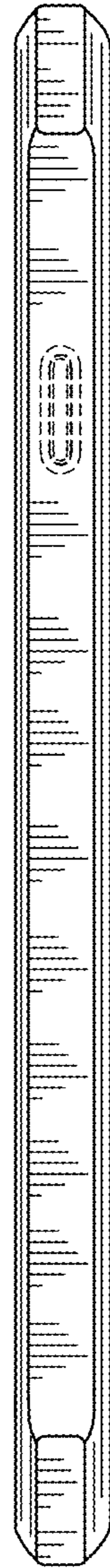


FIG. 5

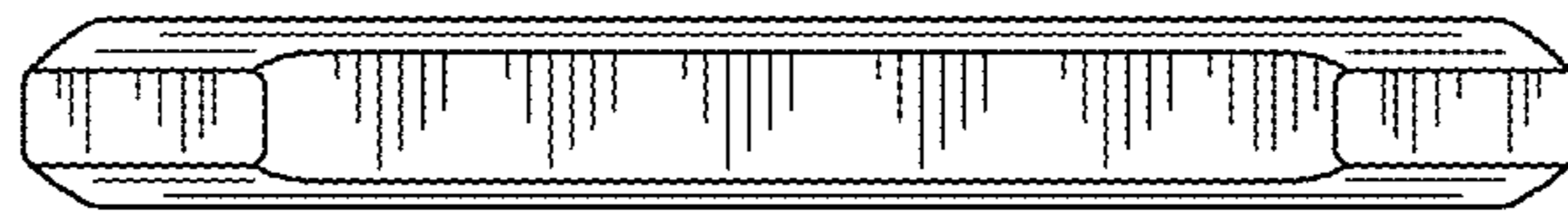


FIG. 6

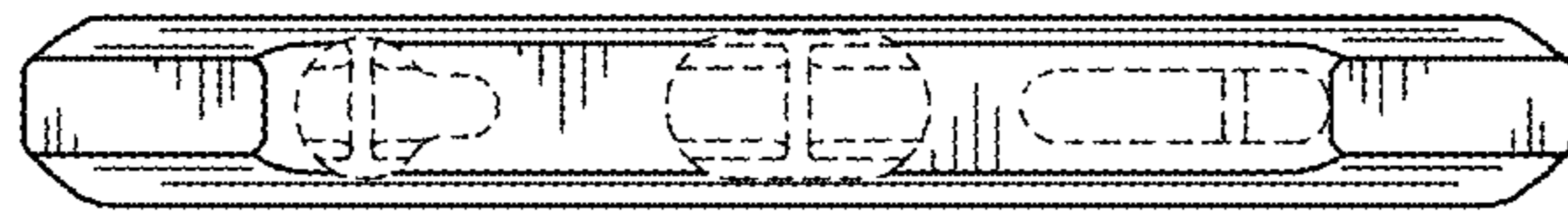


FIG. 7