



US00D779470S

(12) **United States Design Patent**
Kim et al.

(10) **Patent No.:** **US D779,470 S**
(45) **Date of Patent:** **** Feb. 21, 2017**

(54) **CASE FOR ELECTRONIC DEVICE**

(71) Applicants: **Dae-Young Kim**, Seoul (KR); **Soo Ha Jung**, Seoul (KR)

(72) Inventors: **Dae-Young Kim**, Seoul (KR); **Soo Ha Jung**, Seoul (KR)

(73) Assignee: **SPIGEN KOREA CO., LTD.**,
Geumcheon-Gu, Seoul (KR)

(**) Term: **14 Years**

(21) Appl. No.: **29/496,984**

(22) Filed: **Jul. 18, 2014**

(51) **LOC (10) Cl.** **14-03**

(52) **U.S. Cl.**

USPC **D14/250**

(58) **Field of Classification Search**

USPC D14/250–253, 440, 203.3–203.7, 217,
D14/496, 248, 238.1, 240, 447, 230, 247,
D14/341, 345, 346, 439; D3/201, 218,
D3/269, 301, 273, 303; D13/103,
D13/107–108; 220/4.02; 248/309.1;
361/679.56; 379/426, 433.11, 379/455;
455/575.1, 575.8; 190/100; 206/305,
206/320

CPC . A45C 2011/002; A45C 11/00; A45C 13/002;
A45C 2011/003; H04M 1/0283; H04M
1/0202; H04M 1/185; H04B 1/3888

See application file for complete search history.

(56) **References Cited**

U.S. PATENT DOCUMENTS

D597,067 S * 7/2009 Oh D14/203.7
D626,539 S * 11/2010 Brown D14/250
D642,169 S * 7/2011 Andre D14/250
D644,218 S * 8/2011 Akana D14/250
D662,923 S * 7/2012 Piedra D14/250
D669,458 S * 10/2012 Wilson D14/250

8,457,701 B2 * 6/2013 Diebel H04B 1/3888
206/701
D696,239 S * 12/2013 Murchison D14/250
D703,197 S * 4/2014 Melanson D14/250

(Continued)

OTHER PUBLICATIONS

“Incase iPhone 3&3GS Metallic Sider Case (Gunmetal),”https://www.amazon.com/Incase-iPhone-Metalic-Slider-Gunmetal/dp/B002NLHV5Q?ie=UTF8&*Version*-1&*entries*=0,
Downioaded Jun. 3,2016, 5 pages.

Primary Examiner — Sandra Snapp

Assistant Examiner — Holly E Thurman

(74) *Attorney, Agent, or Firm* — East West Law Group;
Heedong Chae

(57) **CLAIM**

The ornamental design for a case for electronic device, as shown and described.

DESCRIPTION

FIG. 1 is a front perspective view of a case for electronic device, comprised of inner portion and outer portion, showing my new design;

FIG. 2 is a rear perspective view thereof;

FIG. 3 is a front elevationai view thereof;

FIG. 4 is a rear elevationai view thereof;

FIG. 5 is a left side elevationai view thereof;

FIG. 6 is a right side elevationai view thereof;

FIG. 7 is a top plan view thereof;

FIG. 8 is a top plan view thereof;

FIG. 9 is an exploded front perspective view thereof showing the inner and outer portions of the case for electronic device separated for clarity of disclosure;

FIG. 10 is an exploded rear perspective view thereof;

FIG. 11 is an exploded front perspective view showing only the two elements of the outer portion of the case for electronic device for clarity of disclosure;

FIG. 12 is a rear perspective view thereof;

(Continued)

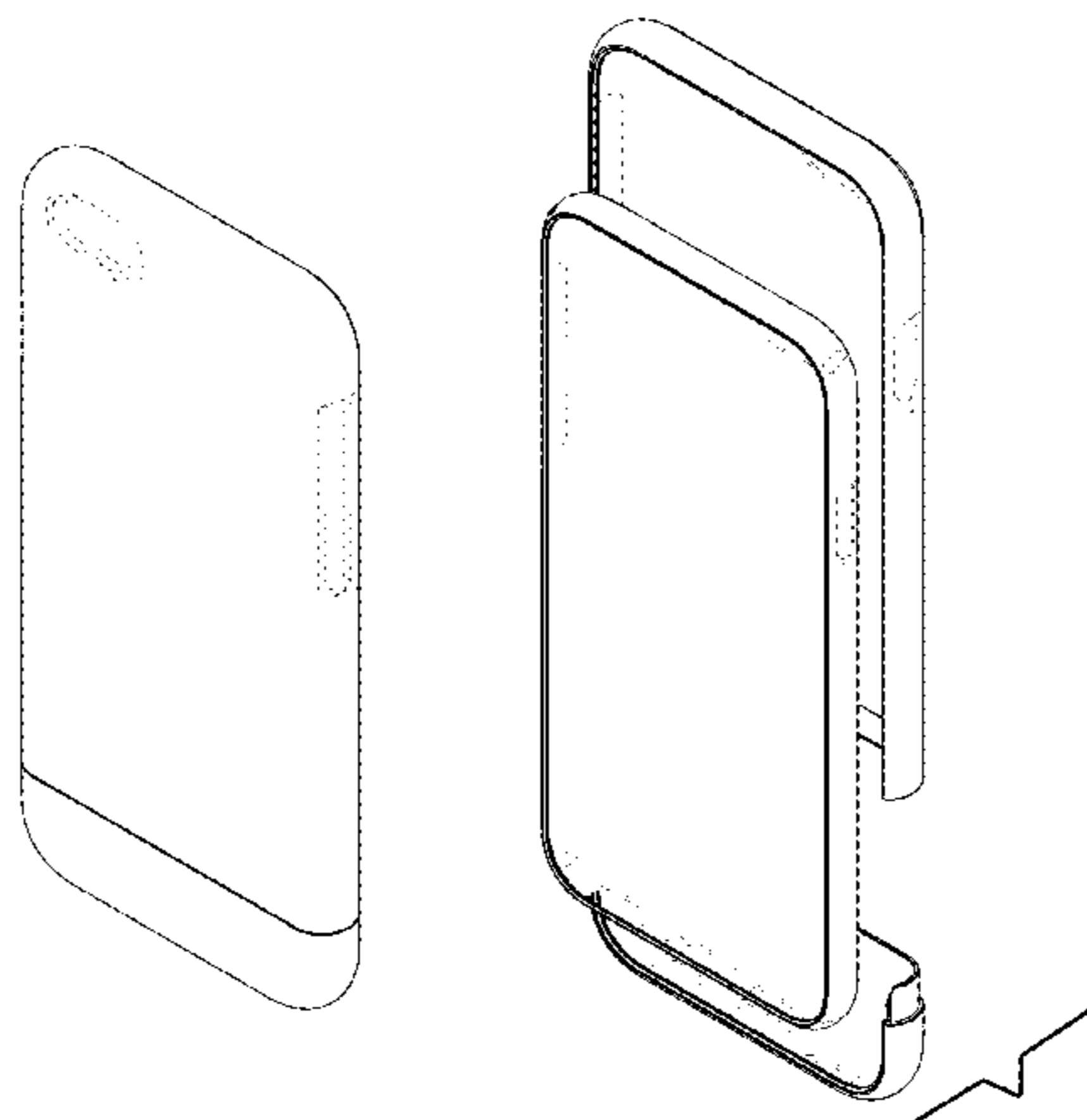


FIG. 13 is a front perspective view showing only the inner portion of the case for electronic device clarity of disclosure; and,

FIG. 14 is a rear perspective view thereof.

The broken lines depict unclaimed environment and form no part of the claimed design.

1 Claim, 14 Drawing Sheets

(56)

References Cited

U.S. PATENT DOCUMENTS

D712,892 S *	9/2014	Hong	D14/250
D718,754 S *	12/2014	To	D14/250
D718,755 S *	12/2014	To	D14/250
D719,559 S *	12/2014	Dukerschein	D14/250
D721,360 S *	1/2015	Laffon de Mazieres	D14/250
9,004,275 B2 *	4/2015	Lee	A45C 11/00 206/320
D740,798 S *	10/2015	Poon	D14/250

* cited by examiner

FIG. 1

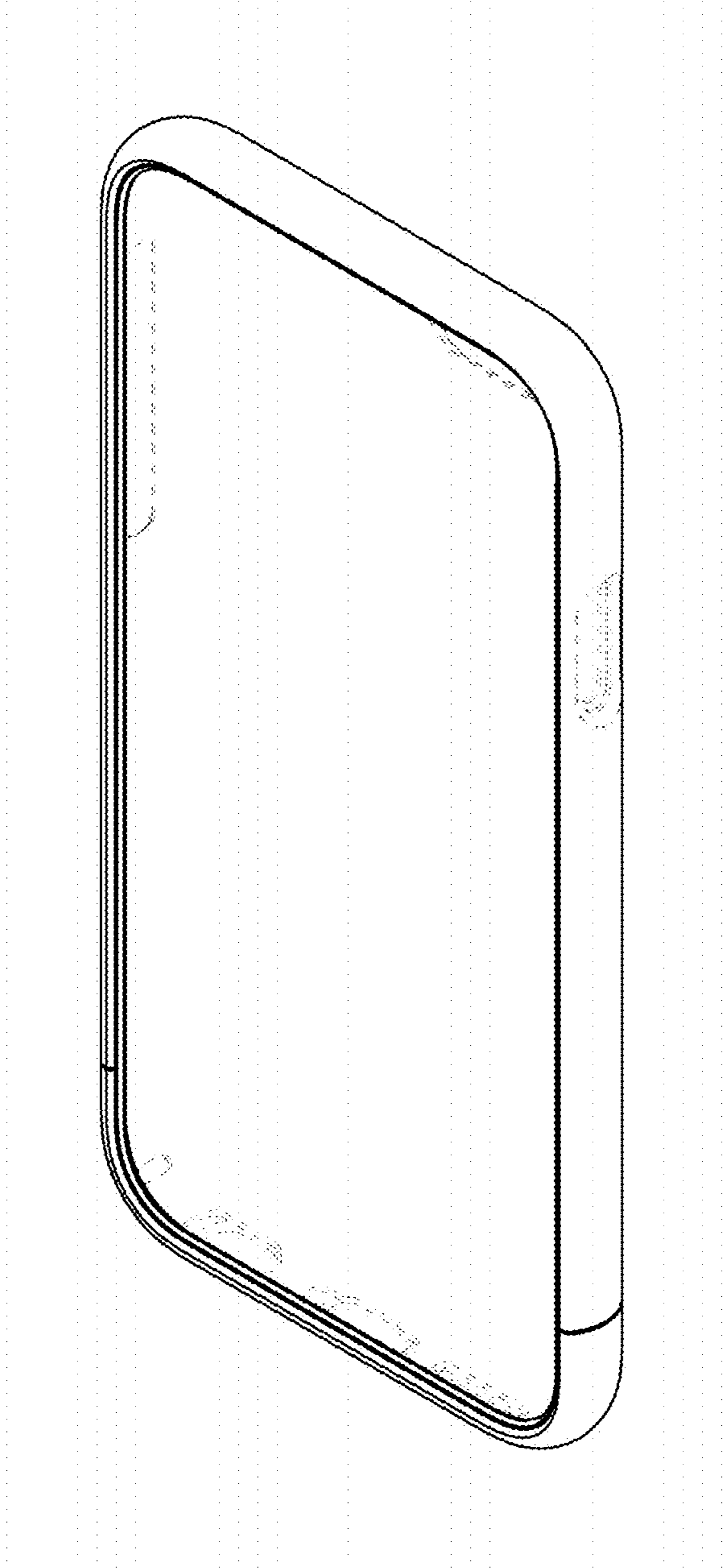


FIG. 2

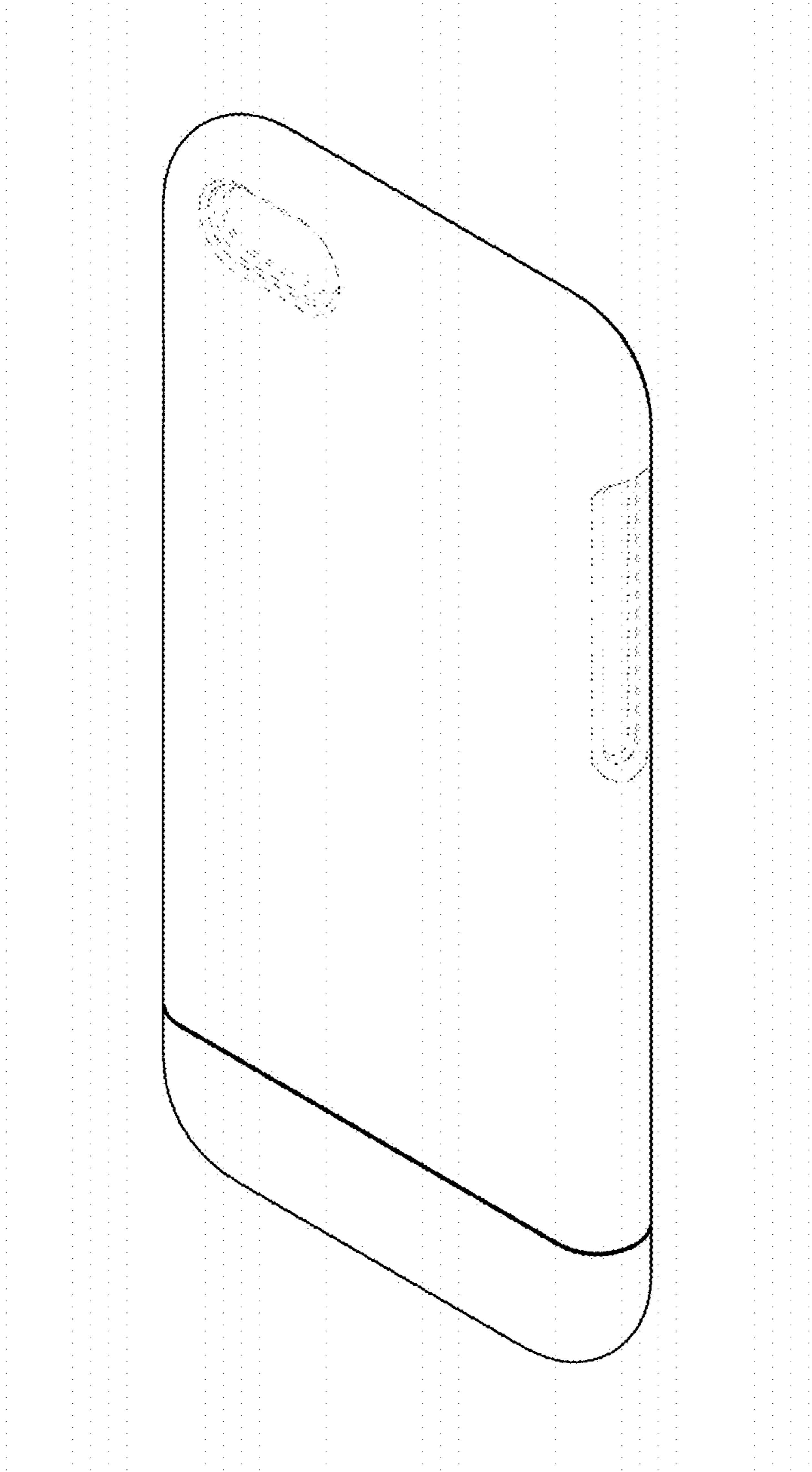


FIG. 3

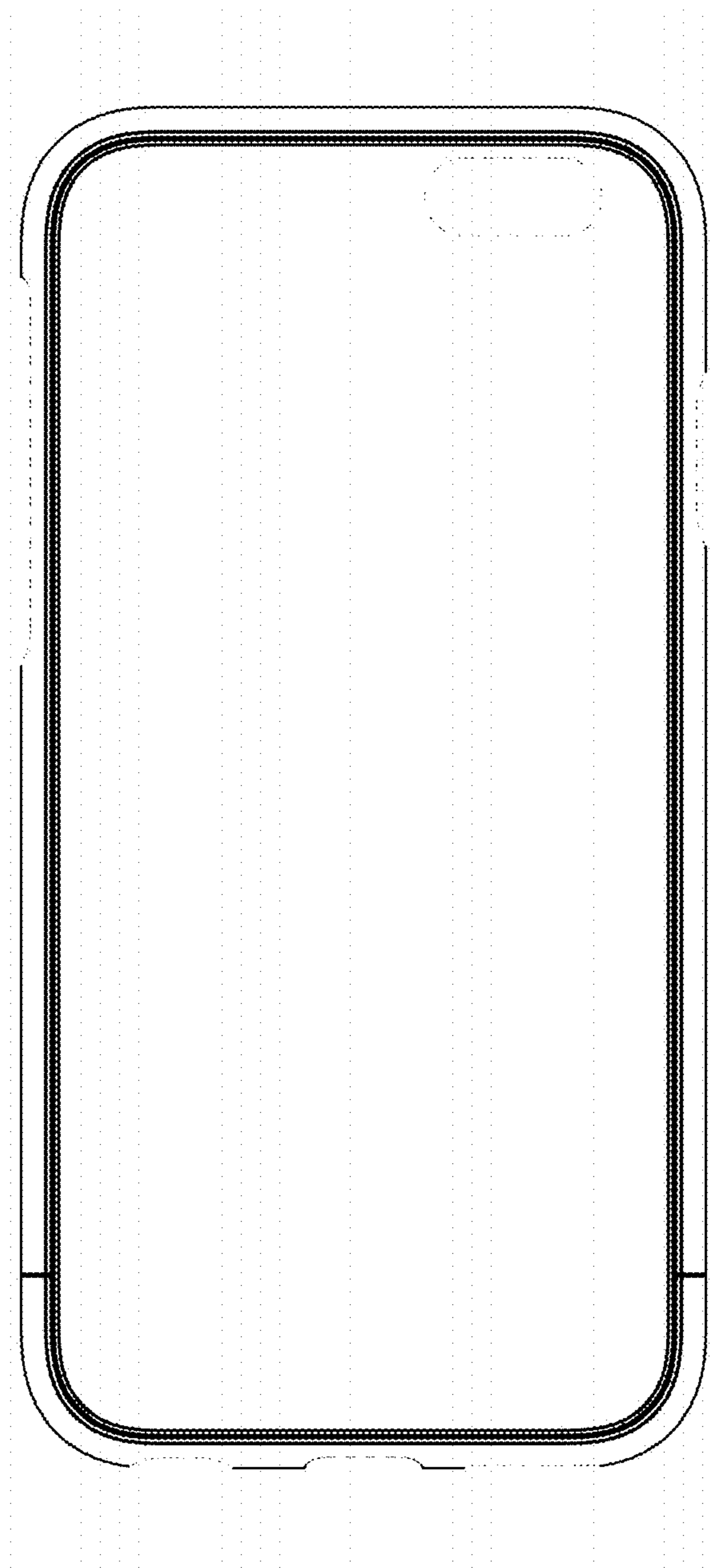


FIG. 4

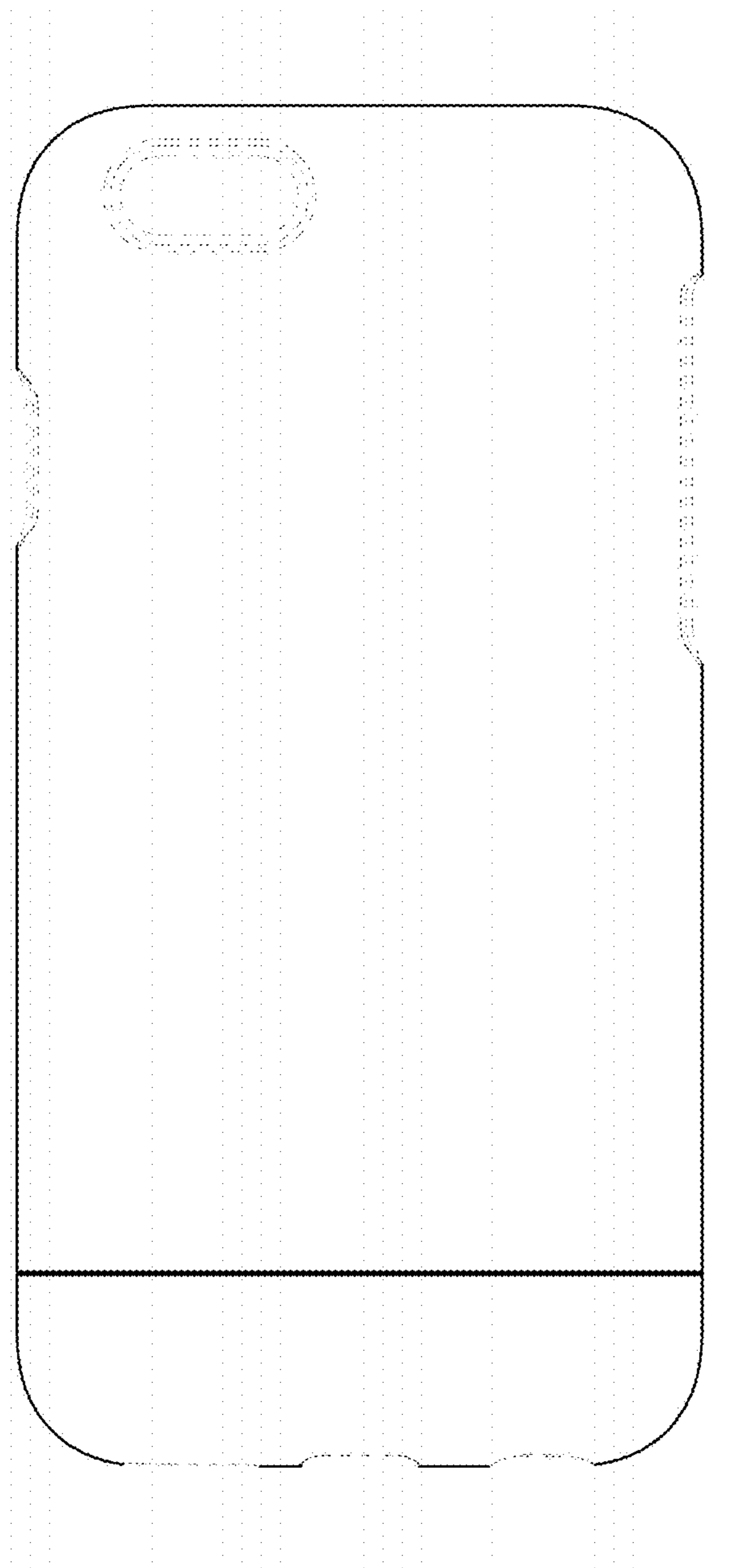


FIG. 5

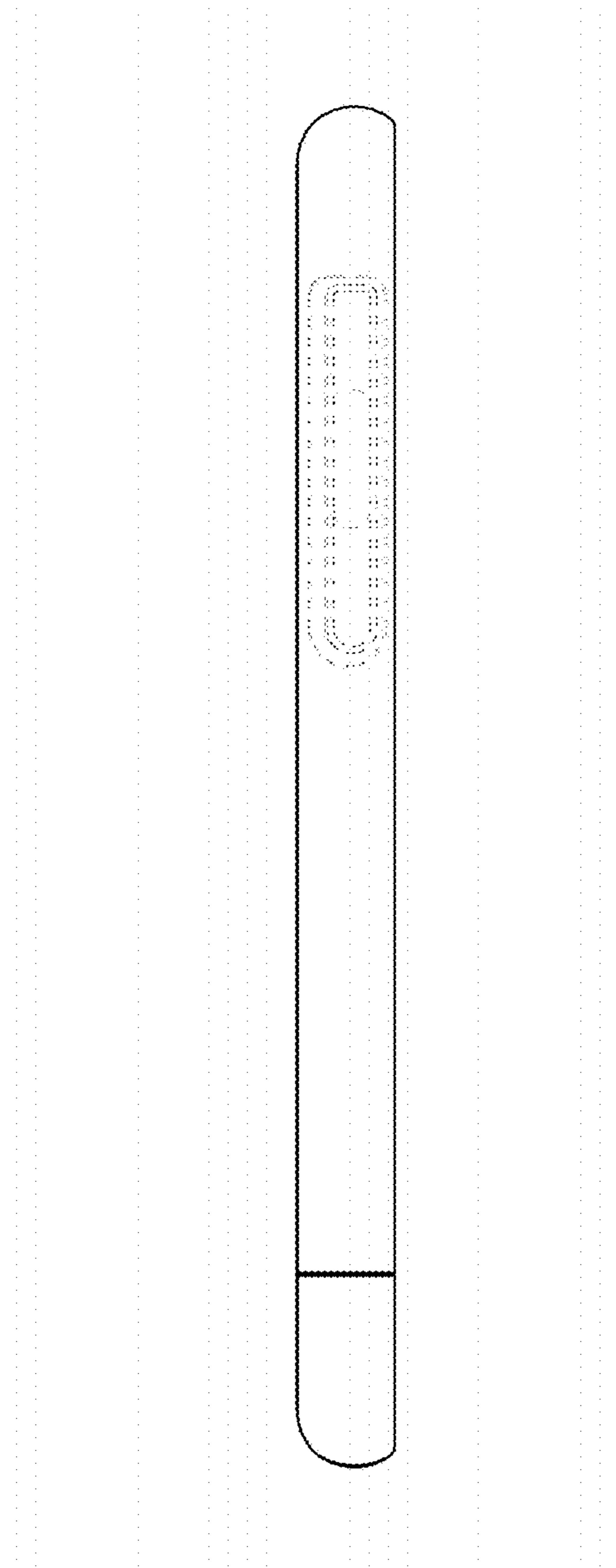


FIG. 6

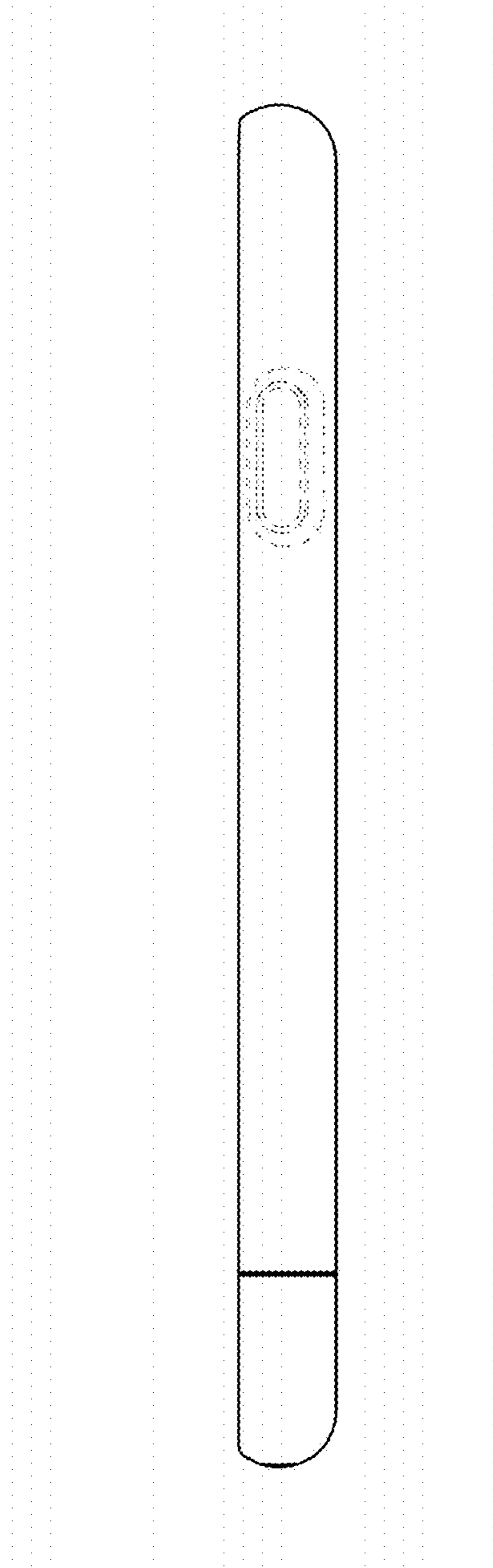


FIG. 7

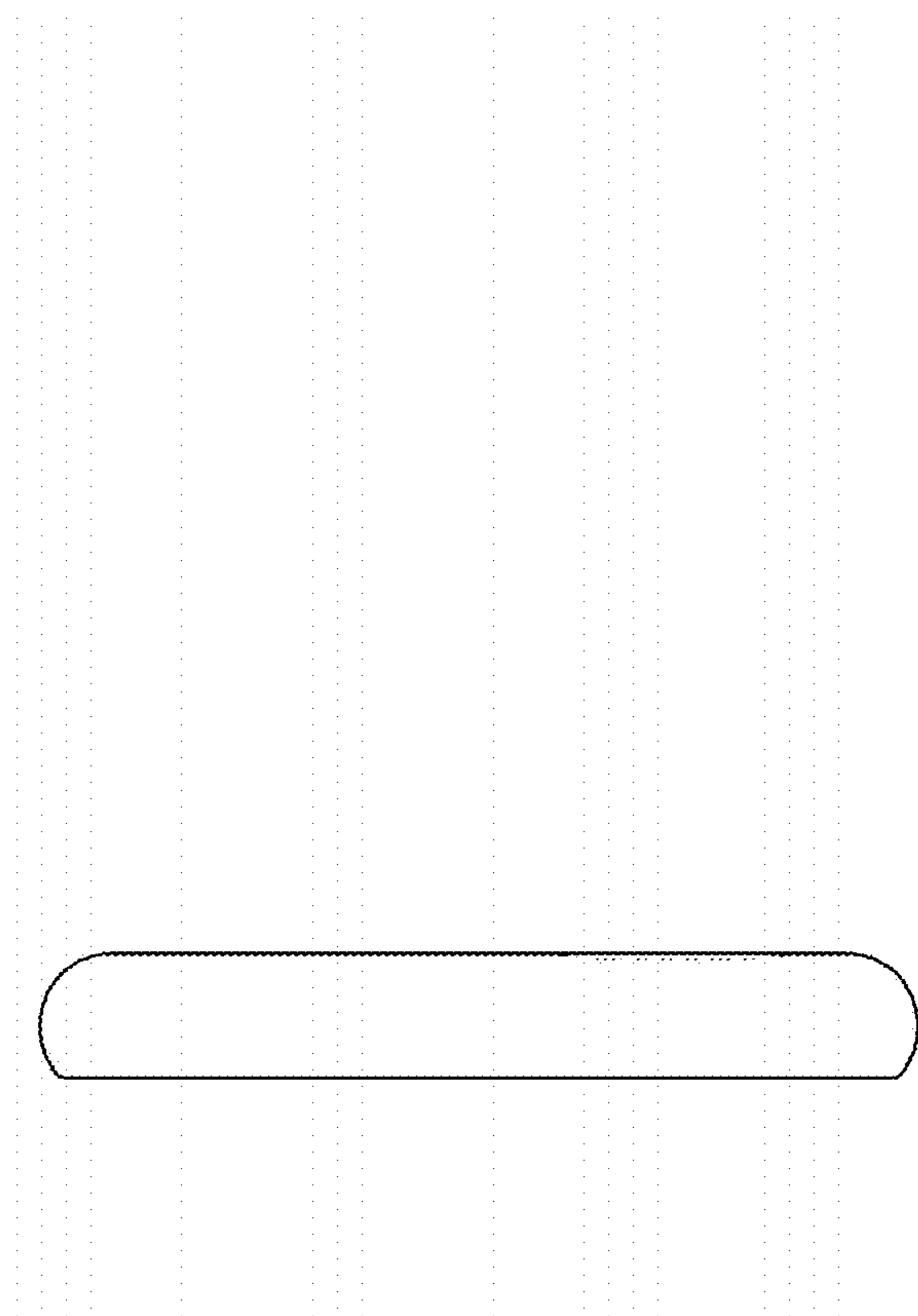


FIG. 8

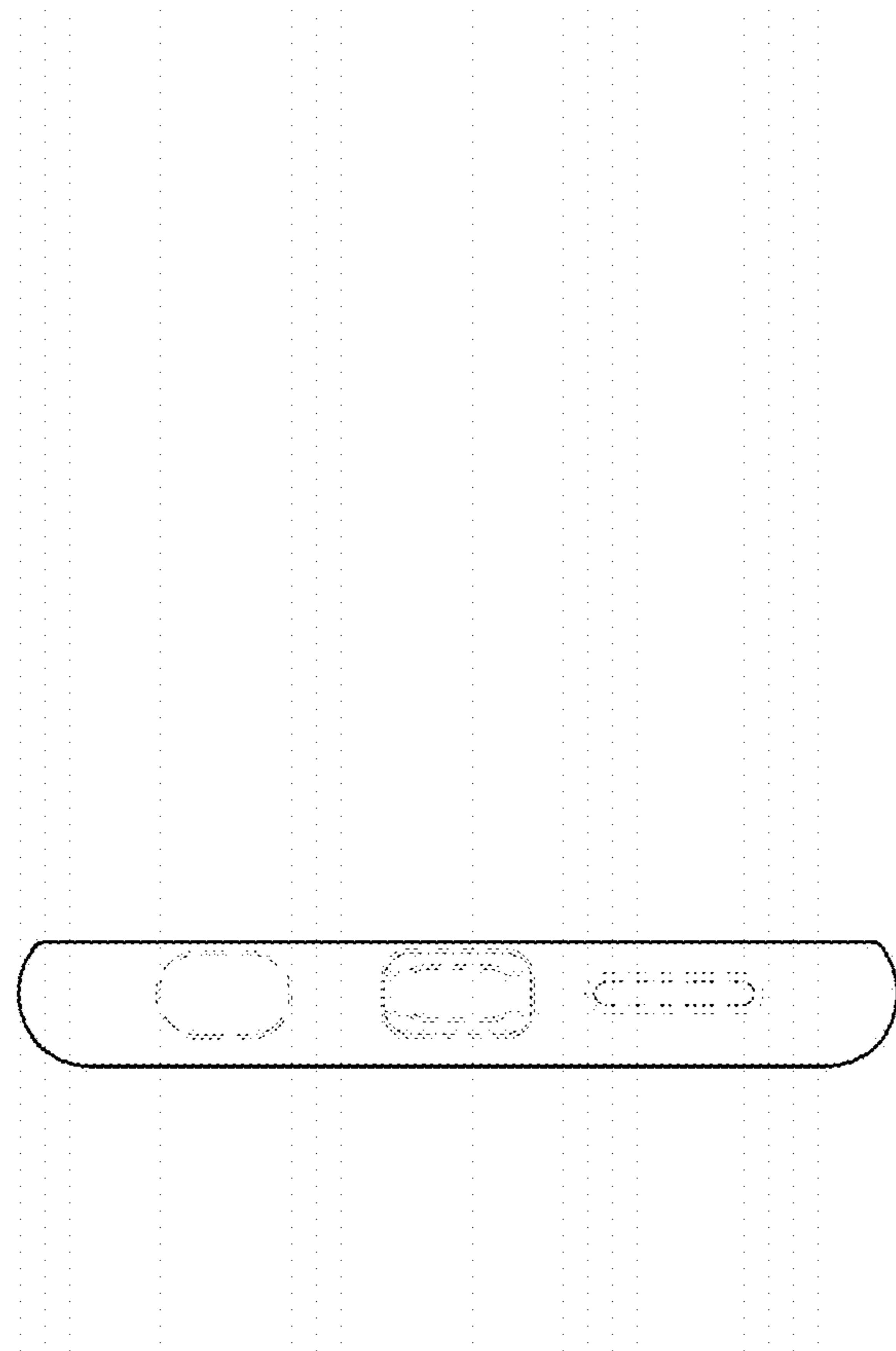


FIG. 9

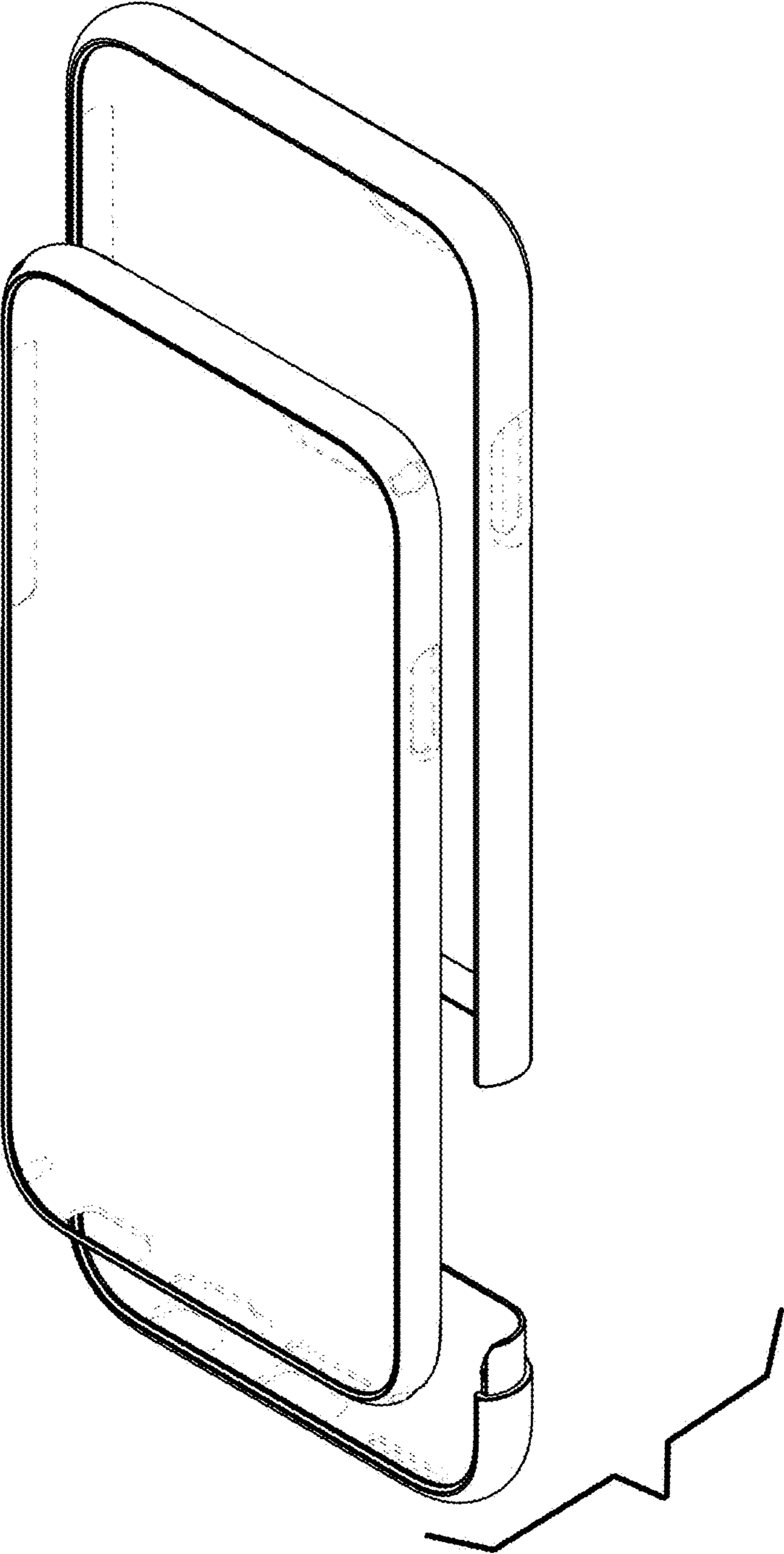


FIG. 10

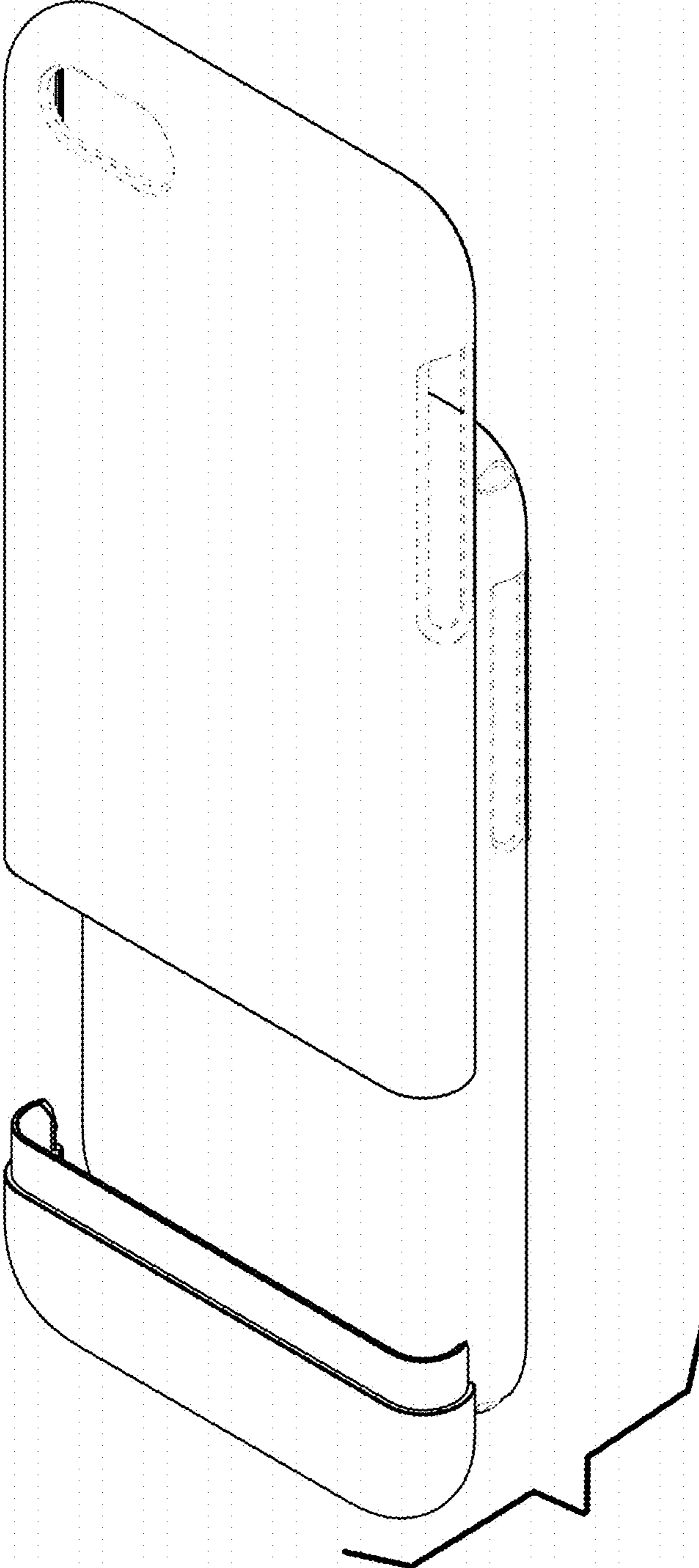


FIG. 11

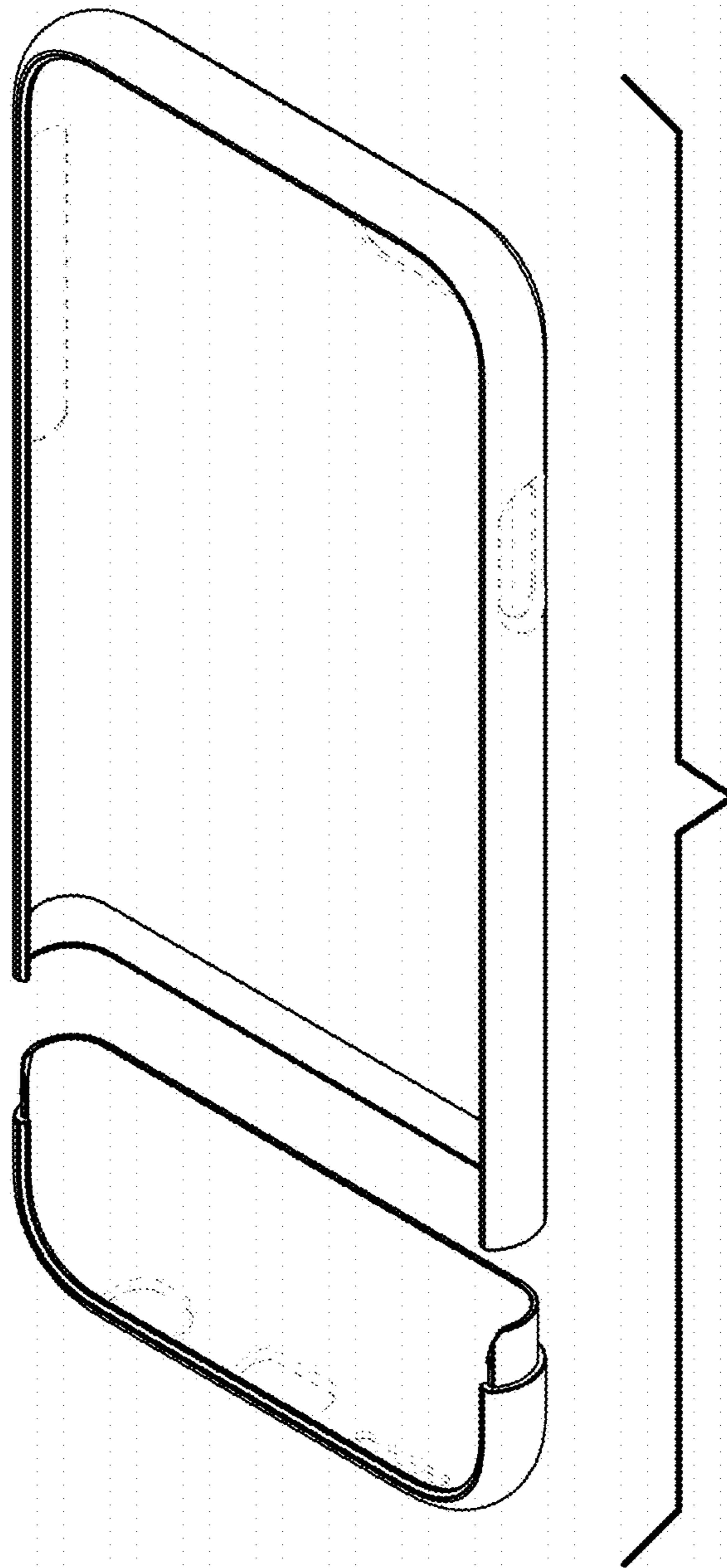


FIG. 12

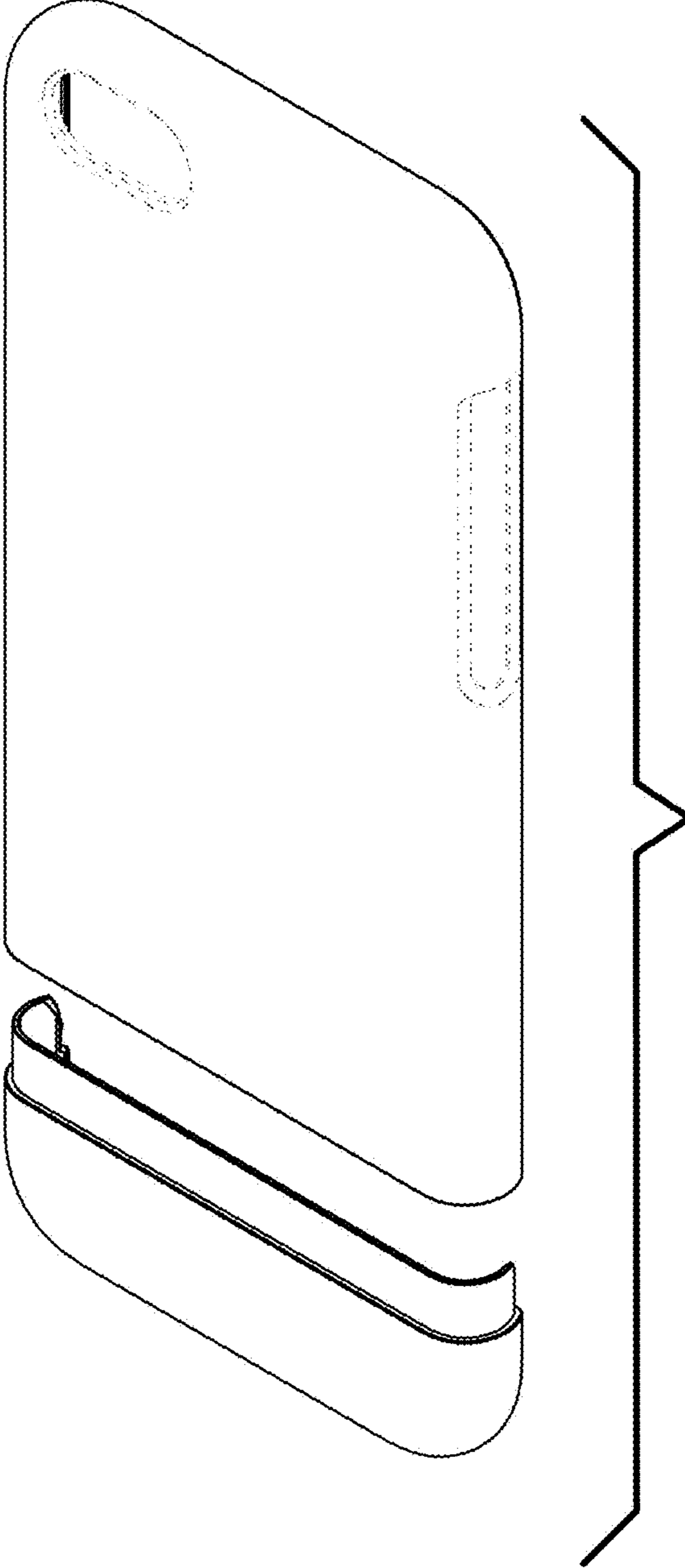


FIG. 13

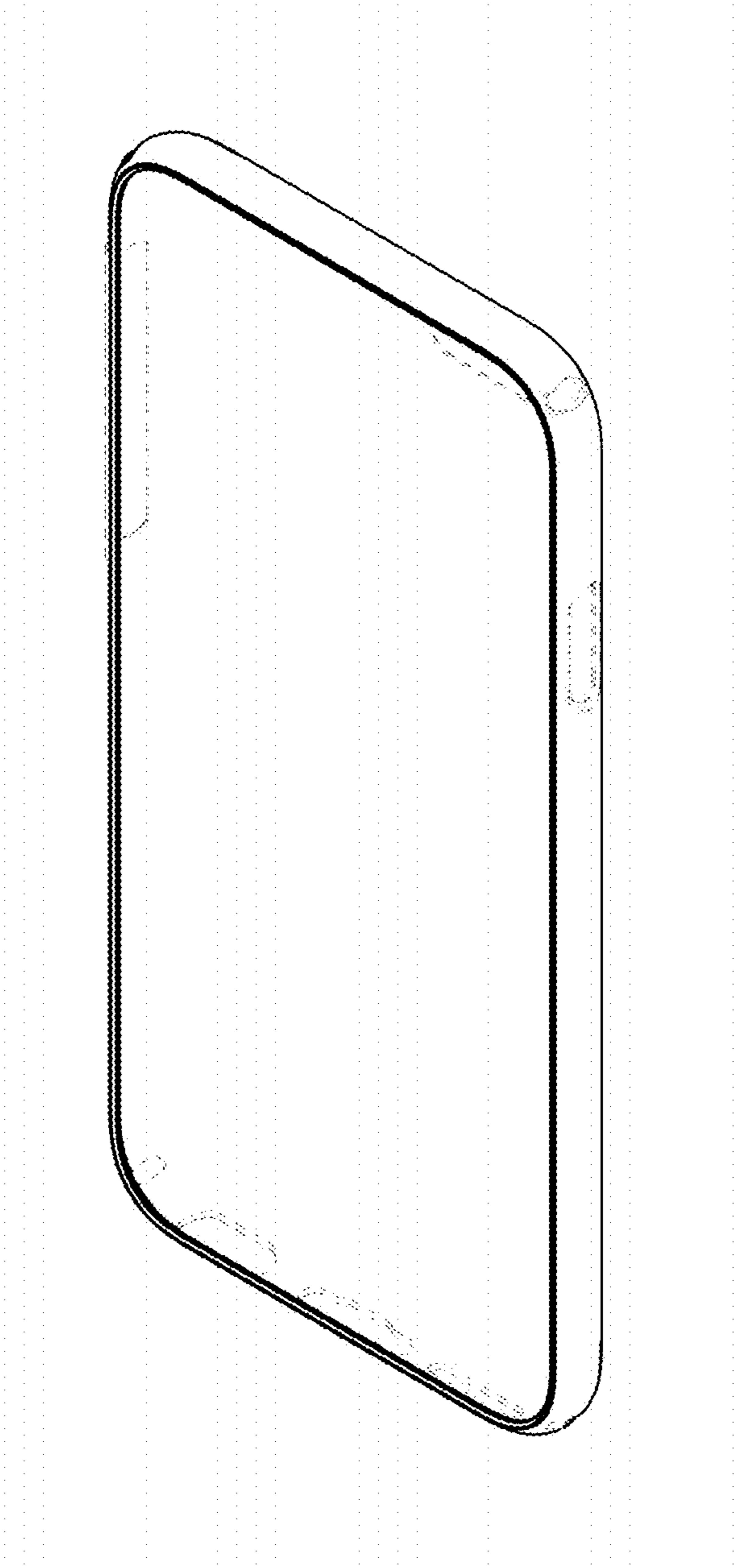


FIG. 14

