



US00D779468S

(12) **United States Design Patent** (10) **Patent No.:** **US D779,468 S**
Kwak et al. (45) **Date of Patent:** **** Feb. 21, 2017**

(54) **MOBILE TERMINAL**

(71) Applicant: **Samsung Electronics Co., Ltd.**,
Suwon-si (KR)

(72) Inventors: **Ji-Yeon Kwak**, Seoul (KR); **Hyun-Jin Kim**, Seoul (KR); **Hae-Yoon Park**, Seoul (KR); **Ki-O Lee**, Seoul (KR)

(73) Assignee: **Samsung Electronics Co., Ltd.**,
Suwon-si (KR)

(**) Term: **14 Years**

(21) Appl. No.: **29/506,261**

(22) Filed: **Oct. 14, 2014**

(30) **Foreign Application Priority Data**

Apr. 16, 2014 (KR) 30-2014-0019181

(51) **LOC (10) Cl.** **14-03**

(52) **U.S. Cl.**
USPC **D14/248**; D14/345

(58) **Field of Classification Search**
USPC D14/138 AA, 138 AB, 138 AD, 138 G,
D14/138 R, 345, 203.7, 248, 496, 344,
D14/341, 432, 441; D10/65; 361/679.27;
D27/186; D3/218, 247; D28/64.1;
D6/300-302, 312; 40/124.2, 610, 774,
40/779, 780, 700; D19/26; D26/56
CPC G06F 1/1652; G06F 1/1616; G06F 1/1618;
G06F 1/1624; H04M 1/0222; H04M
1/0254; H04M 1/0256
See application file for complete search history.

(56) **References Cited**

U.S. PATENT DOCUMENTS

D667,398 S * 9/2012 Koh D14/341
D671,939 S * 12/2012 Chung D14/130
D694,751 S * 12/2013 Ju D14/341
D696,245 S * 12/2013 Lee D14/315

D697,513 S * 1/2014 Morooka D13/184
D703,632 S * 4/2014 Lim D14/138 G
D705,747 S * 5/2014 Boucquey D14/138 G
D714,777 S * 10/2014 Chang D14/315
D719,151 S * 12/2014 Hirayama D14/341
D729,190 S * 5/2015 Kwak D14/138 G
D745,003 S * 12/2015 Carpenter D14/341
D756,998 S * 5/2016 Suzuki D14/341
D758,364 S * 6/2016 Ahn D14/345
D759,650 S * 6/2016 Avery D14/341

* cited by examiner

Primary Examiner — Jeffrey D Asch

Assistant Examiner — Rebekah A Caruso

(74) *Attorney, Agent, or Firm* — NSIP Law

(57) **CLAIM**

We claim the ornamental design for a mobile terminal, as shown and described.

DESCRIPTION

FIG. 1 is a top perspective view of a mobile terminal showing our new design;

FIG. 2 is a front view thereof;

FIG. 3 is a rear view thereof;

FIG. 4 is a left-side view thereof;

FIG. 5 is a right-side view thereof;

FIG. 6 is a top view thereof;

FIG. 7 is a bottom view thereof;

FIG. 8 is an enlarged view of the portion of the mobile terminal encircled in FIG. 1; and,

FIG. 9 is a perspective view of the mobile terminal shown in a folded position.

The broken lines in the figures show portions of the mobile terminal which form no part of the claimed design.

The dot-dot-dash broken lines in FIGS. 1 and 8 that encircle the portion of the mobile terminal that is illustrated in an enlargement in FIG. 8 form no part of the claimed design.

The dot-dash lines in the figures represent an unclaimed boundary line and form no part of the claimed design.

1 Claim, 7 Drawing Sheets

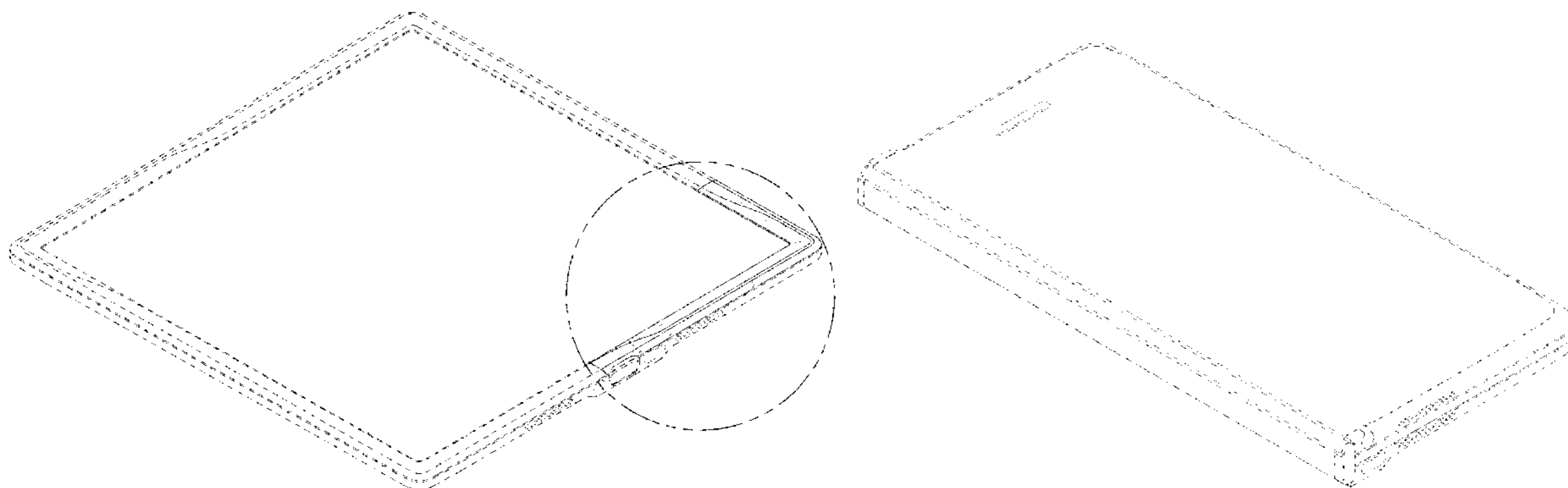


FIG. 1

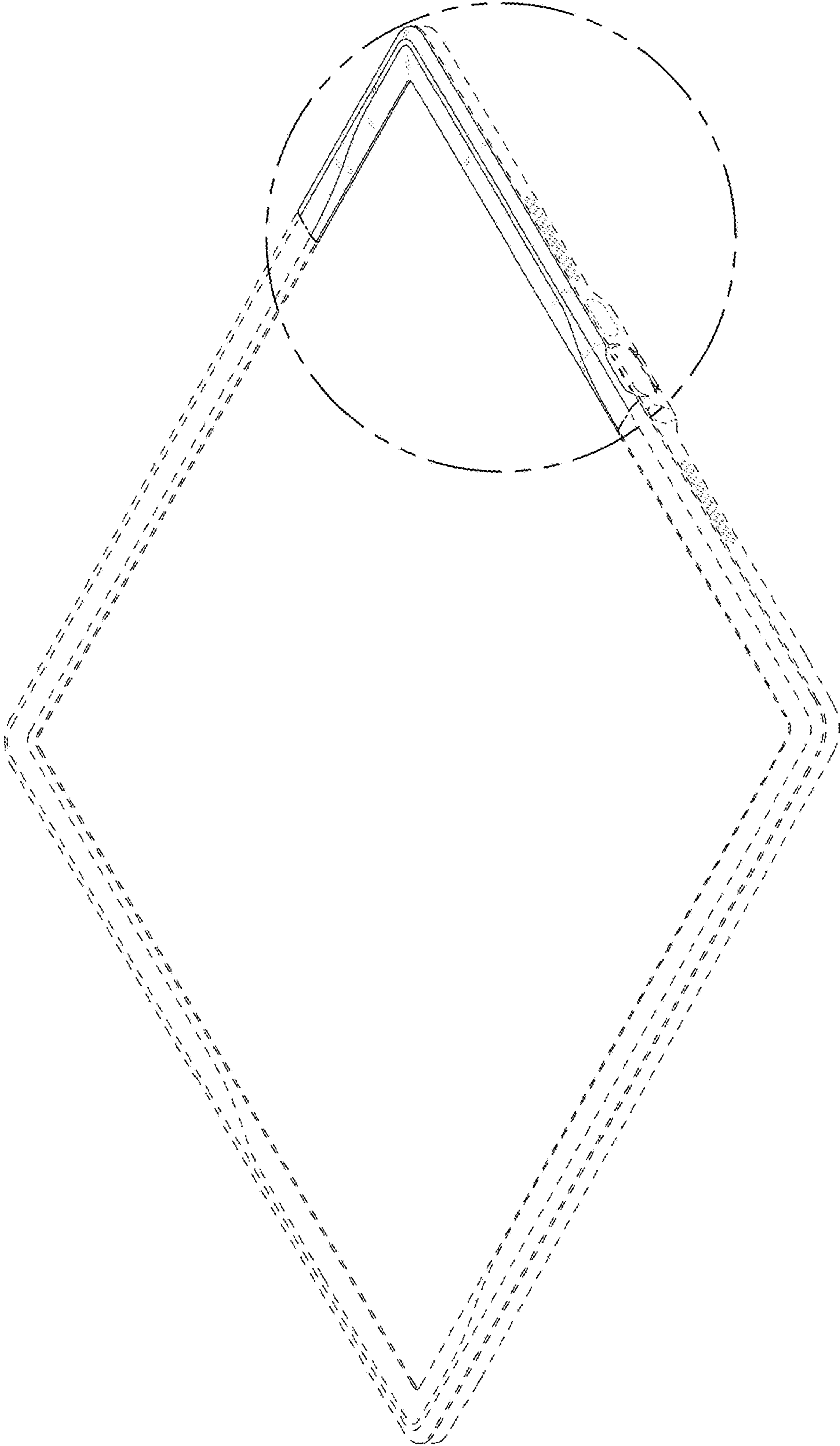


FIG. 2



FIG. 3



FIG. 4



FIG. 5



FIG. 6

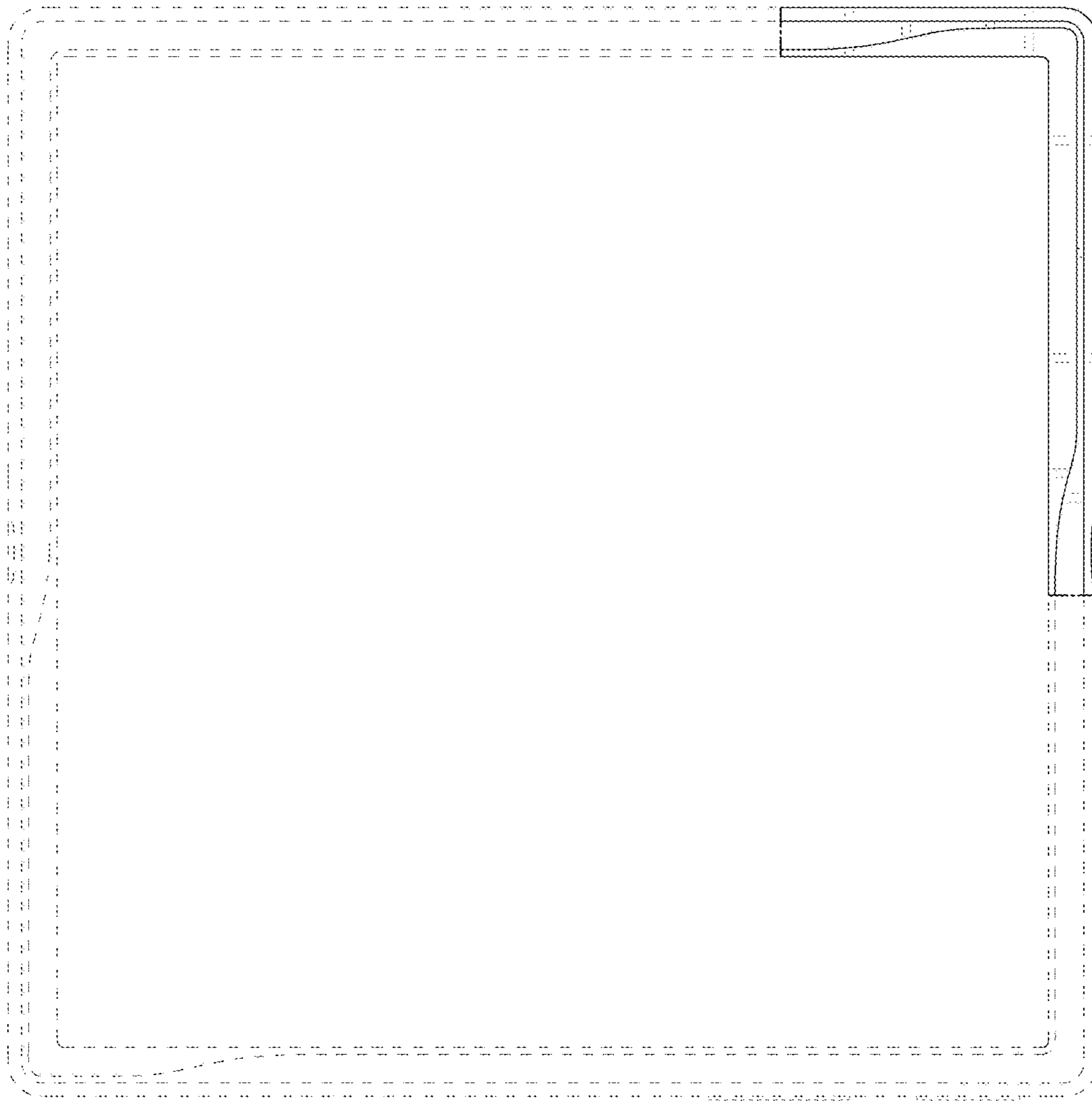


FIG. 7

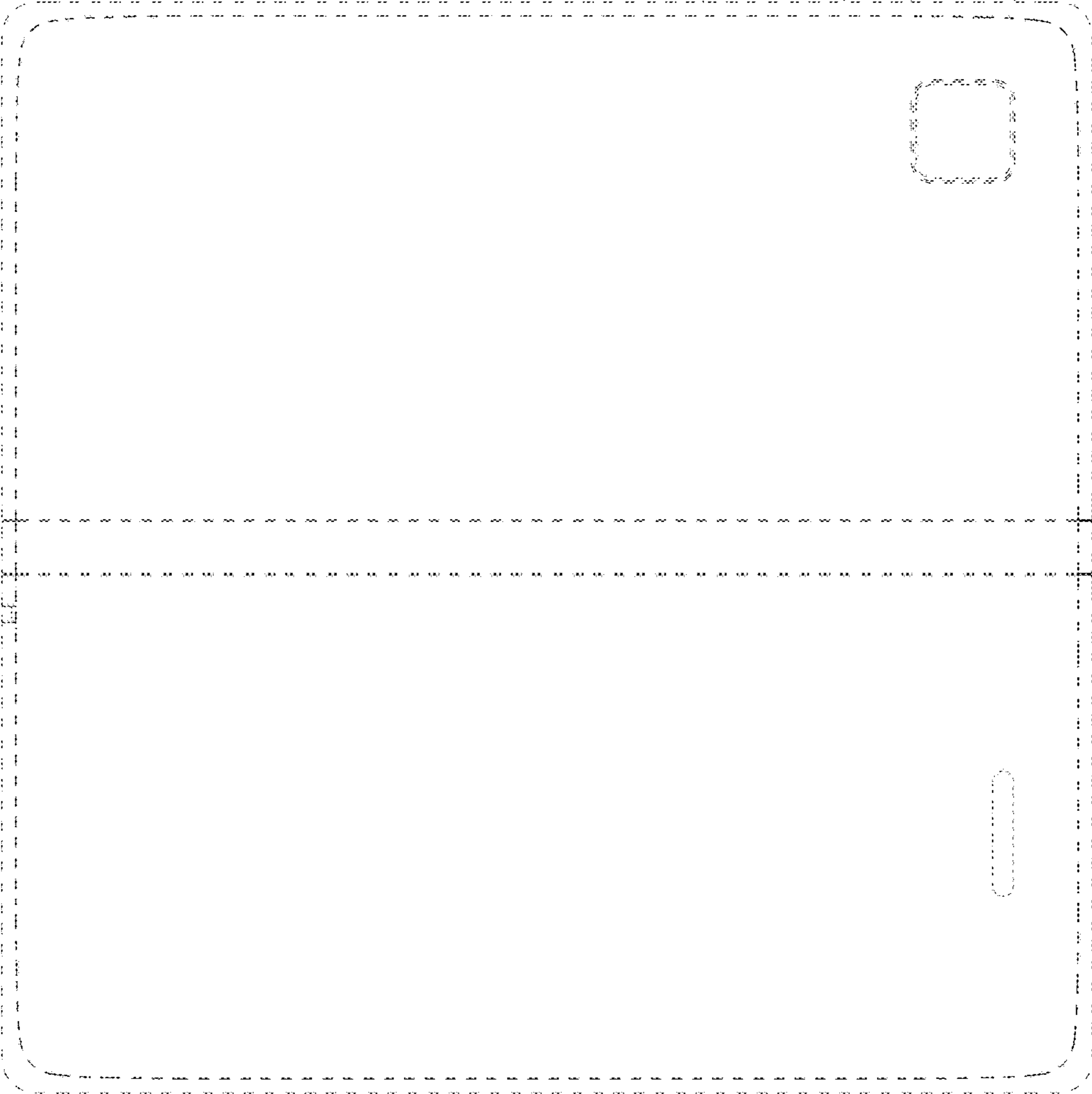


FIG. 8

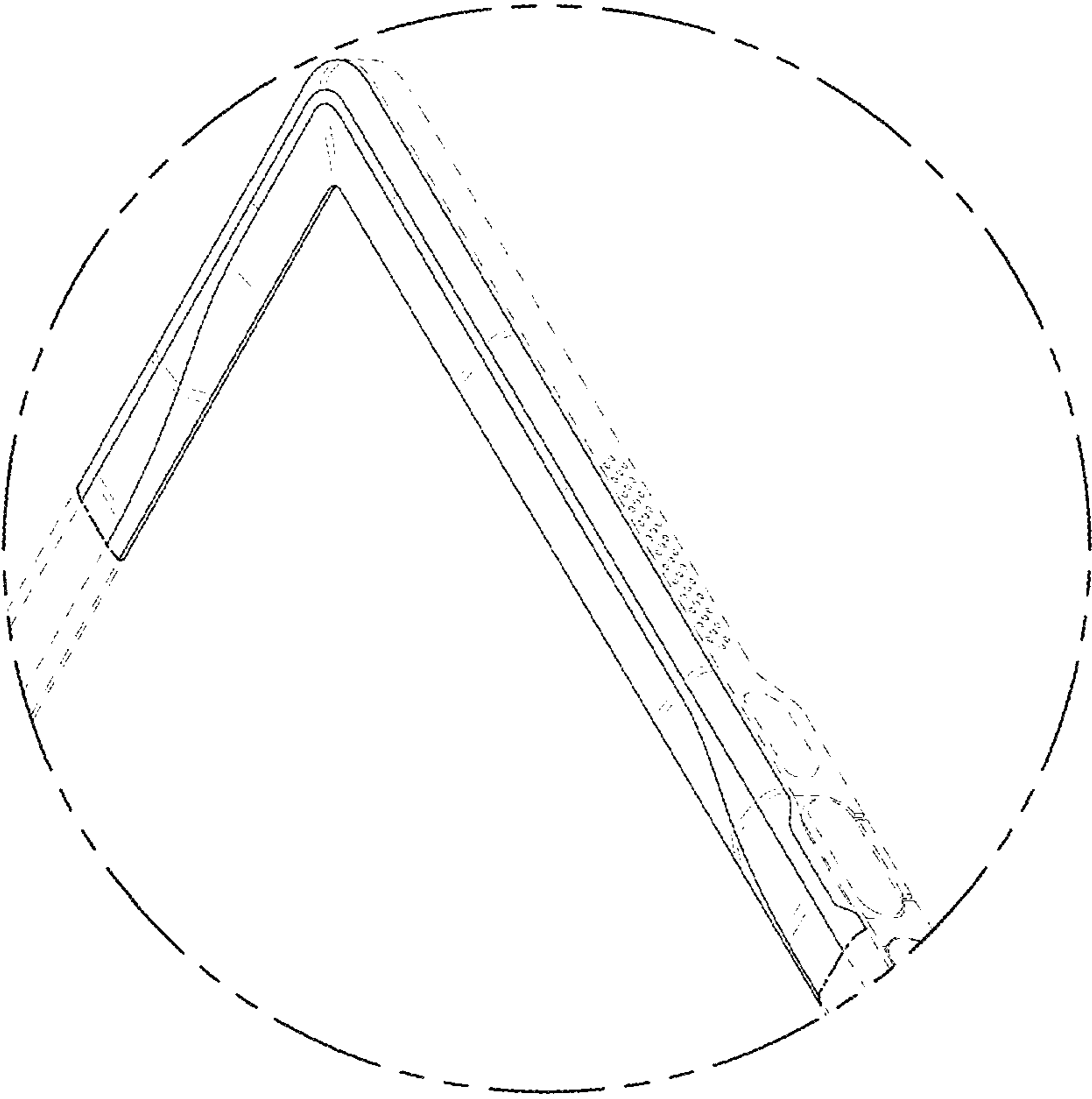


FIG. 9

