



US00D779467S

(12) **United States Design Patent** (10) **Patent No.:** **US D779,467 S**
Hochman et al. (45) **Date of Patent:** **** Feb. 21, 2017**

(54) **MODULAR VIDEO SUPPORT FRAME MEMBER**

(71) Applicant: **Revolution Display, LLC**, Glendale, CA (US)
(72) Inventors: **Jeremy Hochman**, Glendale, CA (US); **Henry Ambrose**, Glendale, CA (US)
(73) Assignee: **Revolution Display, LLC**, Glendale, CA (US)
(**) Term: **15 Years**

(21) Appl. No.: **29/527,348**

(22) Filed: **May 18, 2015**

(51) **LOC (10) Cl.** **14-03**

(52) **U.S. Cl.**
USPC **D14/239**

(58) **Field of Classification Search**
USPC D14/125-134, 239, 371, 136, 374-377, D14/440, 450, 448, 336, 342; 312/7.2; 348/836, 838, 180, 184, 325, 739; 341/12; 248/917-924, 465, 309.2; 345/104, 133, 156, 168, 87, 173; 720/605, 720/669, 600, 655; 369/99, 197; 455/344, 455/347; D21/329, 515, 577, 622, 333, D21/433, 448, 452, 450, 331; D6/477, D6/479, 300; 273/148 B; 446/484, 446/175, 356; D10/15, 26; 361/801, 802, 361/754, 728; 257/88

(Continued)

(56) **References Cited**

U.S. PATENT DOCUMENTS

212,335 A 2/1879 Schwartz
D289,115 S 4/1987 Spicer

(Continued)

FOREIGN PATENT DOCUMENTS

CN 201182417 Y 1/2009
JP 360162124 8/1985

OTHER PUBLICATIONS

http://www.kinollo.com/Products%20Button/LED/Celeb%20400%20DMX/Celeb400_DMX.html (Last viewed Oct. 30, 2015).
(Continued)

Primary Examiner — Randall Gholson
(74) *Attorney, Agent, or Firm* — Downs Rachlin Martin PLLC

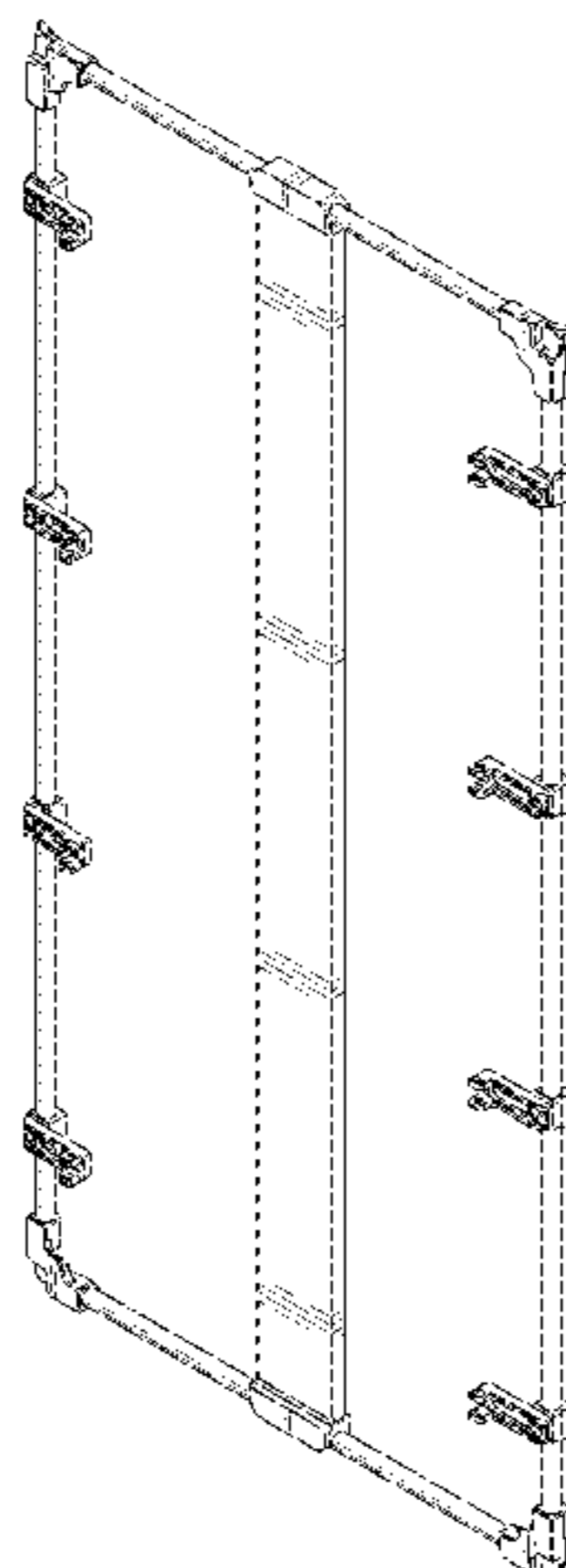
(57) **CLAIM**

The ornamental design for a modular video support frame member, as shown and described.

DESCRIPTION

FIG. 1 is a front perspective view of a modular video support frame member showing our new design;
FIG. 2 is a front view thereof;
FIG. 3 is a top view thereof, the bottom view is a minor image of the top view;
FIG. 4 is a right side view thereof, the left side view is a mirror image of the right side view;
FIG. 5 is a rear view thereof;
FIG. 6 is an enlarged view of a portion of FIG. 2;
FIG. 7 is an enlarged view of a portion of FIG. 5;
FIG. 8 is an enlarged view of a portion of FIG. 1;
FIG. 9 is an enlarged perspective view of a portion of FIG. 5;
FIG. 10 is a front perspective view of another embodiment of a modular video support frame member showing our new design;
FIG. 11 is a front view thereof;
FIG. 12 is a top view thereof, the bottom view is a mirror image of the top view;
FIG. 13 is a right side view thereof, the left side view is a mirror image thereof;
FIG. 14 is a rear view thereof;
FIG. 15 is an enlarged view of a portion of FIG. 11; and,
FIG. 16 is an enlarged view of a portion of FIG. 10.
The broken lines in the Figures are for the purpose of illustrating unclaimed portions of the modular video support frame member and form no part of the claimed design.

(Continued)



The shade lines in the Figures show contour and not surface ornamentation.

1 Claim, 16 Drawing Sheets

(58) Field of Classification Search

CPC H04N 1/00; G09F 9/301
See application file for complete search history.

(56)

References Cited

U.S. PATENT DOCUMENTS

5,452,811	A *	9/1995	Taravella	B65D 21/0211 211/10
5,626,406	A	5/1997	Schmid	
5,799,429	A	9/1998	Speshyock	
6,065,854	A	5/2000	West et al.	
D447,045	S	8/2001	Hundley	
6,647,652	B1	11/2003	Seiber et al.	
7,581,343	B1	9/2009	Baxter	
7,604,481	B2	10/2009	Owen et al.	
7,605,772	B2 *	10/2009	Syrstad	G09F 9/3026 315/169.3
D637,025	S	5/2011	Colin	
D639,448	S	6/2011	Grainger	
D670,936	S	11/2012	Davis	
D672,168	S	12/2012	Davis	
D685,307	S	7/2013	Chung	
D694,739	S	12/2013	Badillo et al.	
8,596,599	B1	12/2013	Carson et al.	
8,641,007	B2 *	2/2014	Chen	A47B 97/001 211/71.01
D702,670	S	4/2014	Davis	

8,693,093	B2	4/2014	Kepley, Jr.	
9,069,519	B1	6/2015	Hall	
D736,750	S	8/2015	Hochman et al.	
9,140,963	B2 *	9/2015	Corey	G03B 21/10
9,162,516	B2 *	10/2015	Kang	B43L 1/04
D742,366	S	11/2015	Hochman et al.	
D770,429	S *	11/2016	Hochman	D14/239
2007/0000849	A1	1/2007	Lutz et al.	
2010/0109351	A1	5/2010	Woody et al.	
2010/0243843	A1	9/2010	Tait et al.	

OTHER PUBLICATIONS

http://www.kinollo.com/Products%20Button/LED/Celeb%20400Q%20DMX/Celeb_400Q_DMX.html (Last viewed on Oct. 30, 2015).

<http://chromeglow.com/custom-dynamics/> (Last viewed on Oct. 30, 2015).

<http://www.slickcustoms.com/custom-dynamics-chrome-led-license-plate-frames.html> (Last viewed Oct. 30, 2015).

<http://www.thinkstockphotos.in/image/stock-illustration-gothic-style-black-omamental/512801789> (Last viewed on Oct. 30, 2015).

www.aliexpress.com/store/product/6Meter-2590F2-LED-Display-Panel-Aluminium-Frame-4Pcs-2590F2-Straight-Corner/124897_32279028240.html +&cd=1&hl=en&ct=cInk&gl=in (Last viewed Oct. 30, 2015).

<http://www.shutterstock.com/pic-158505119/stock-vector-collection-of-old-photo-comers-frames-and-edges-in-vector-isolated-on-white.html> (Last viewed Oct. 30, 2015).

<http://www.dreamstime.com/stock-photo-old-paper-sheets-book-vintage-photo-frames-corners-antiqu-antique-clipboard-isolated-white-background-image54805302> (Last viewed Nov. 2, 2015).

* cited by examiner

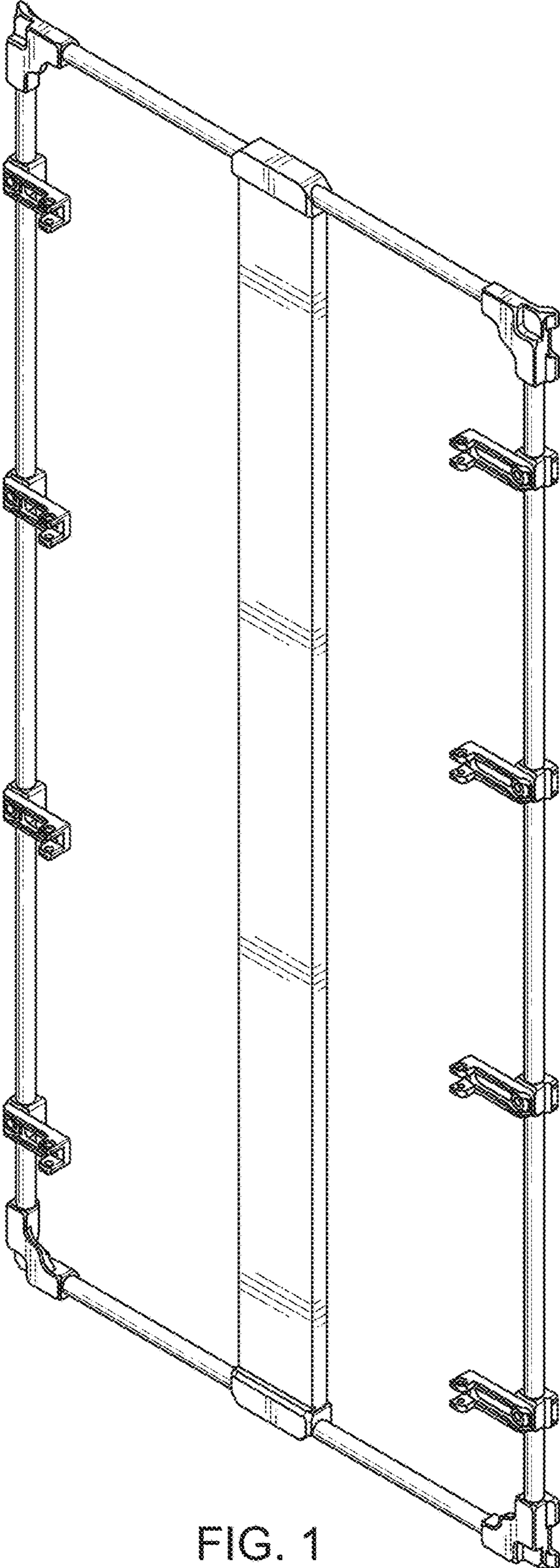


FIG. 1

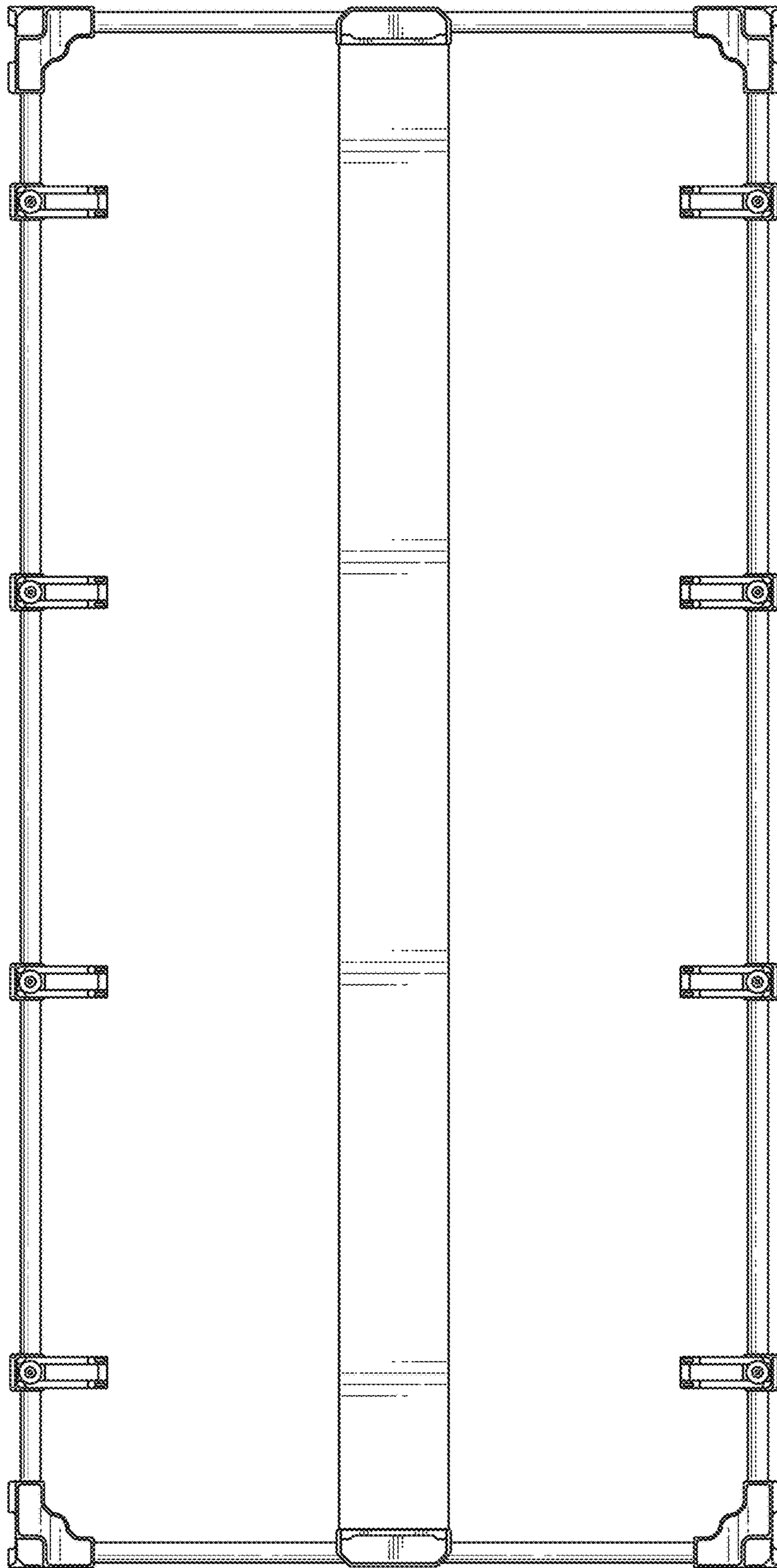


FIG. 2

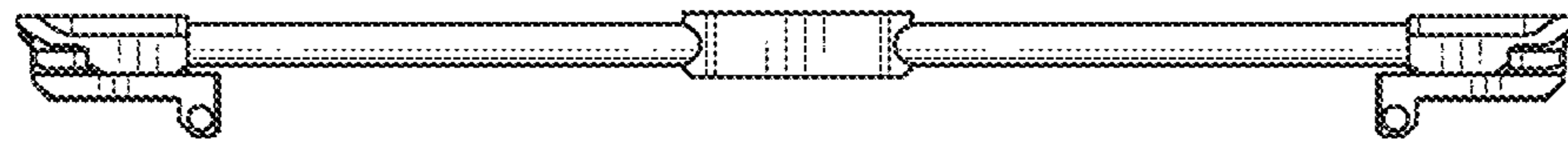


FIG. 3

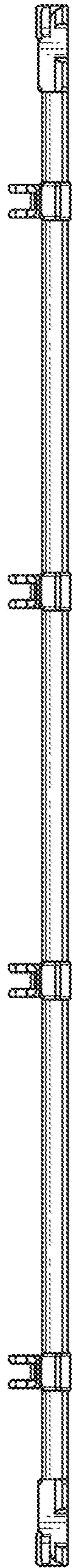


FIG. 4

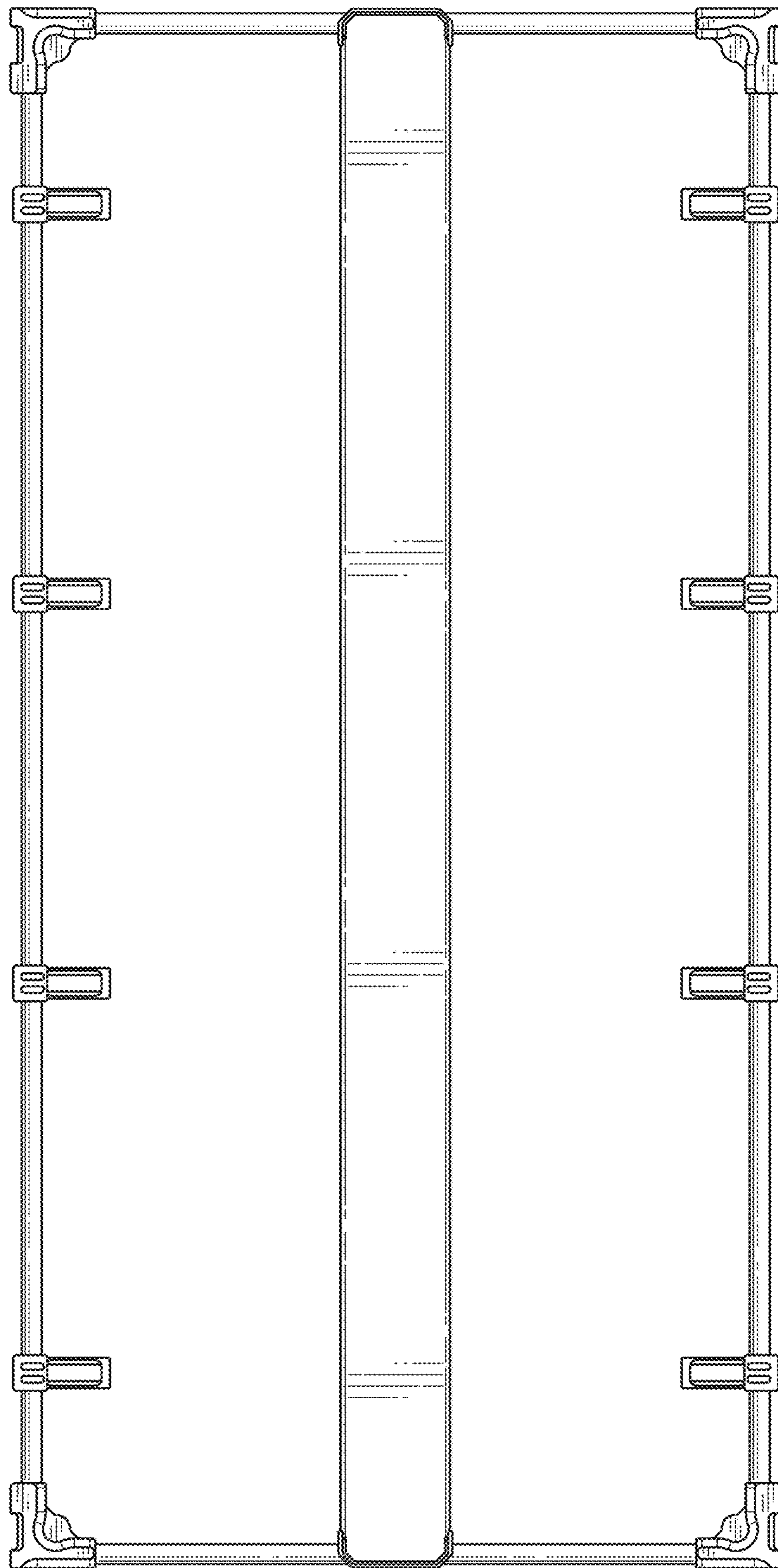


FIG. 5

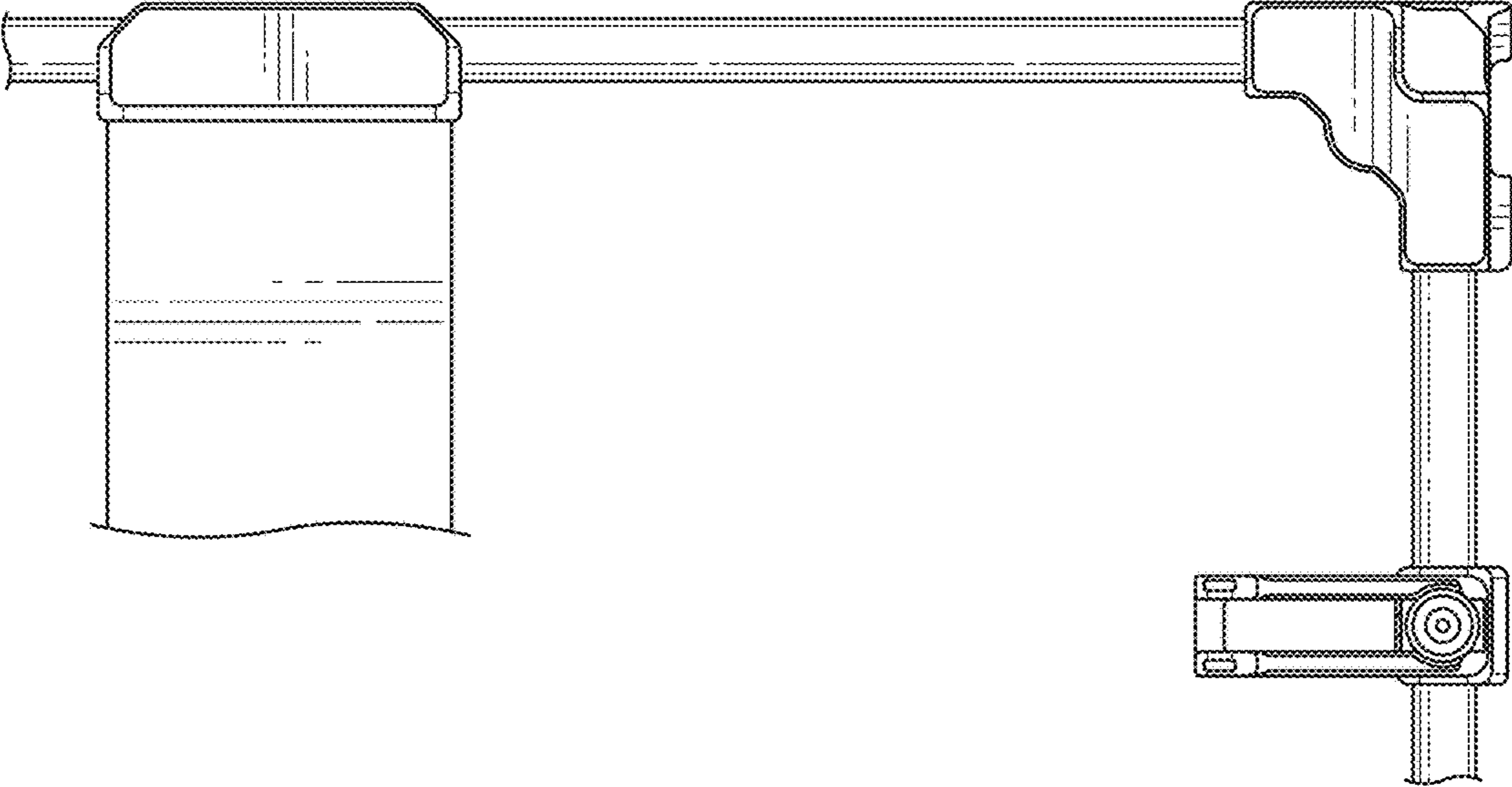


FIG. 6

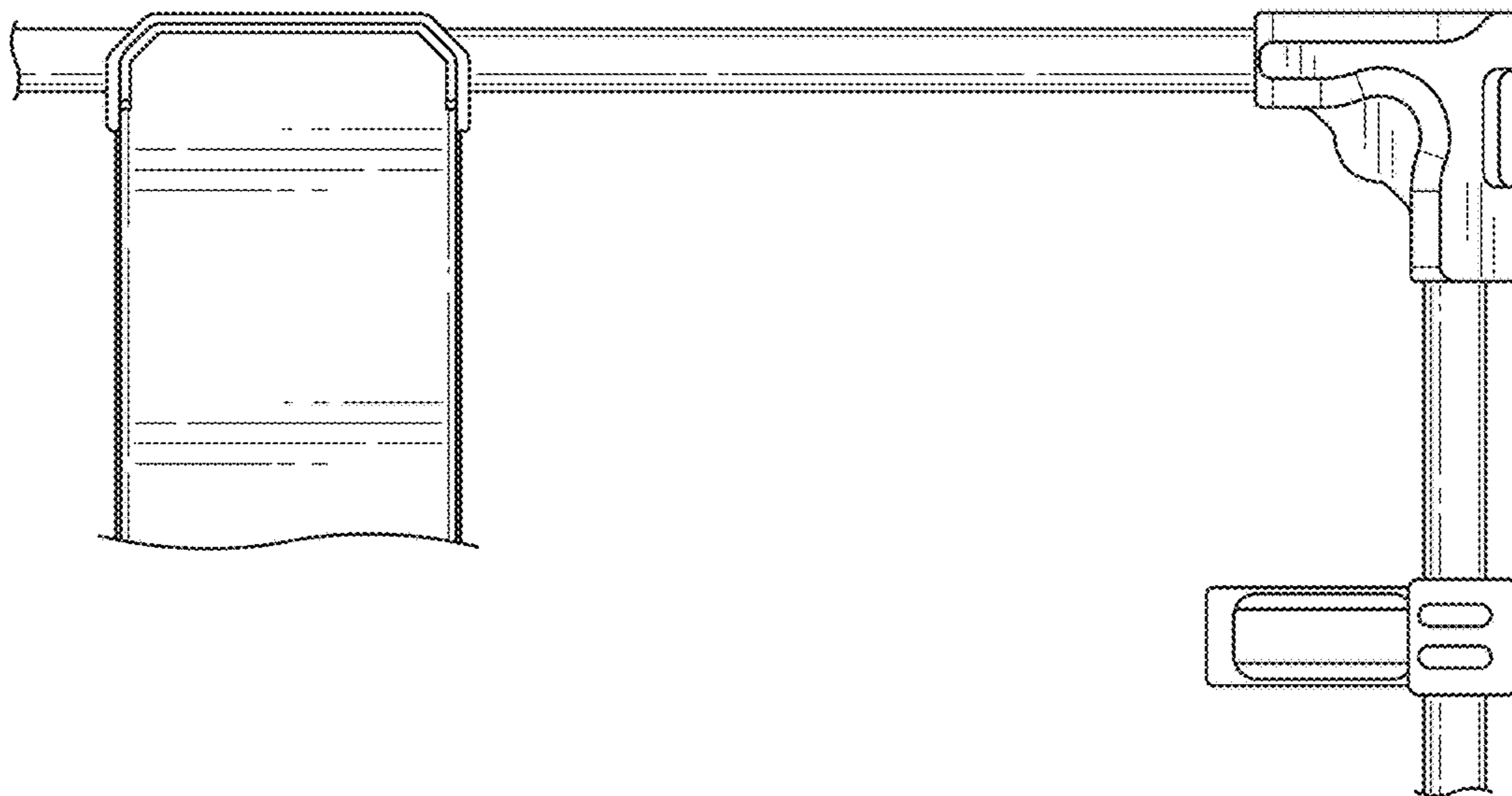


FIG. 7

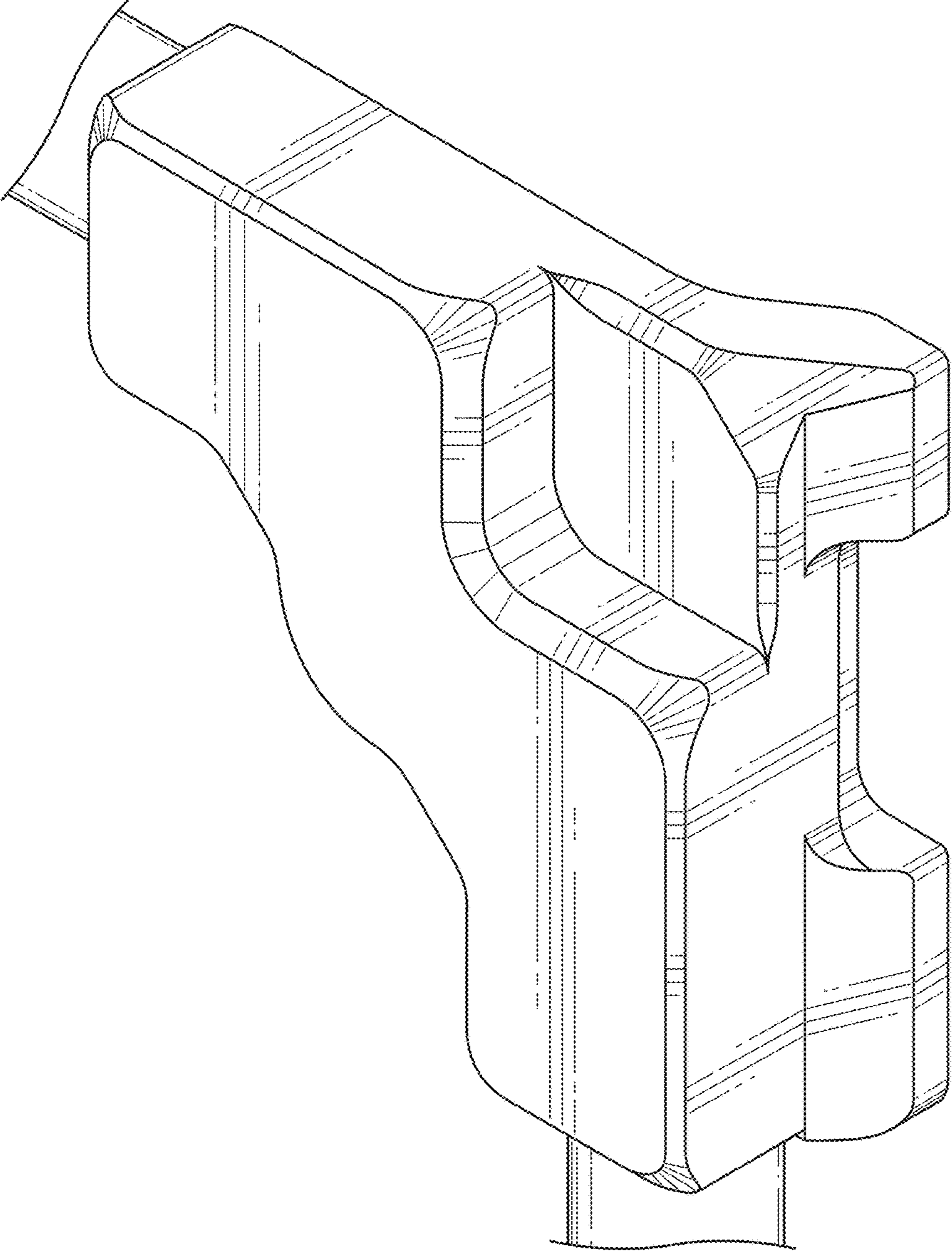


FIG. 8

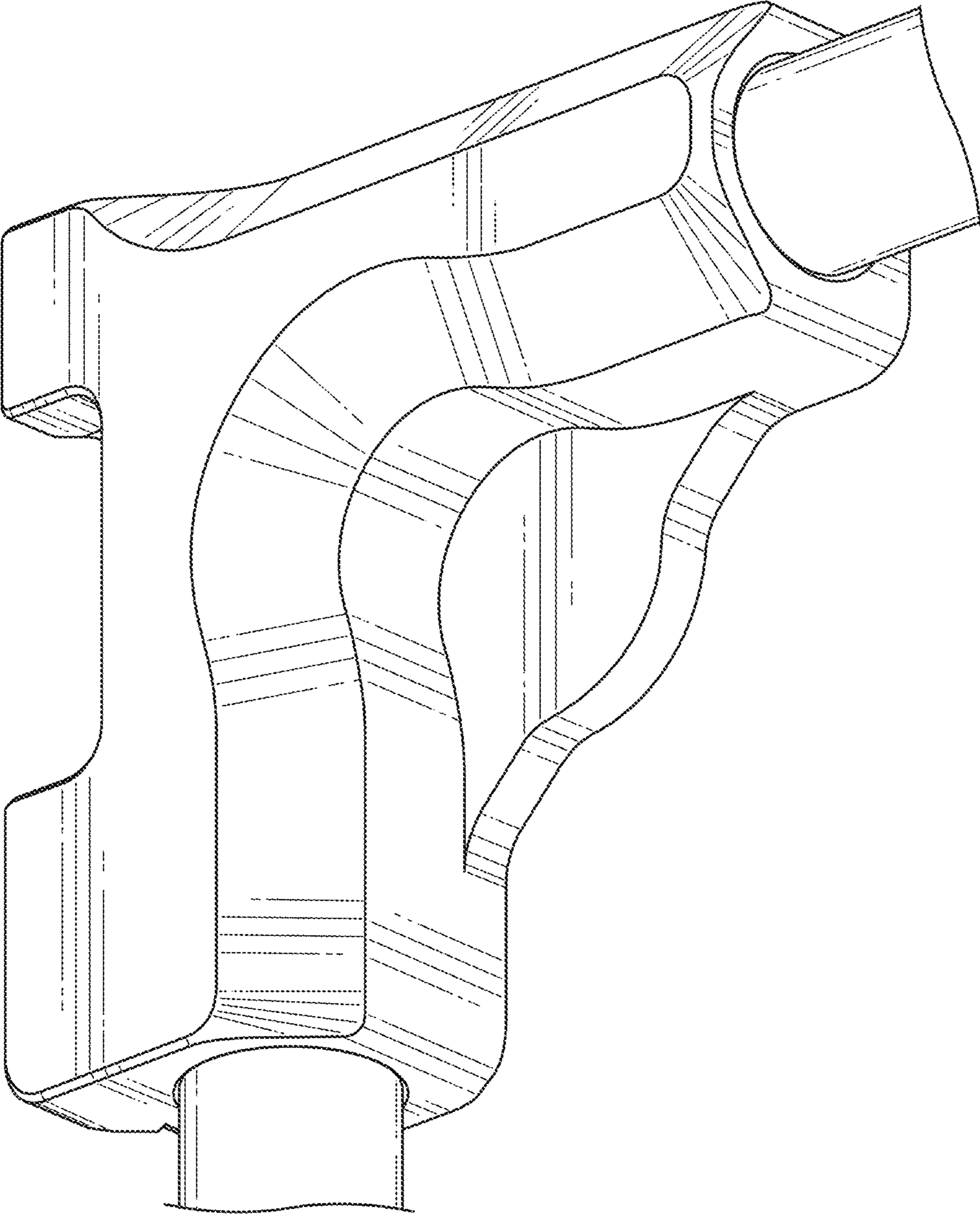


FIG. 9

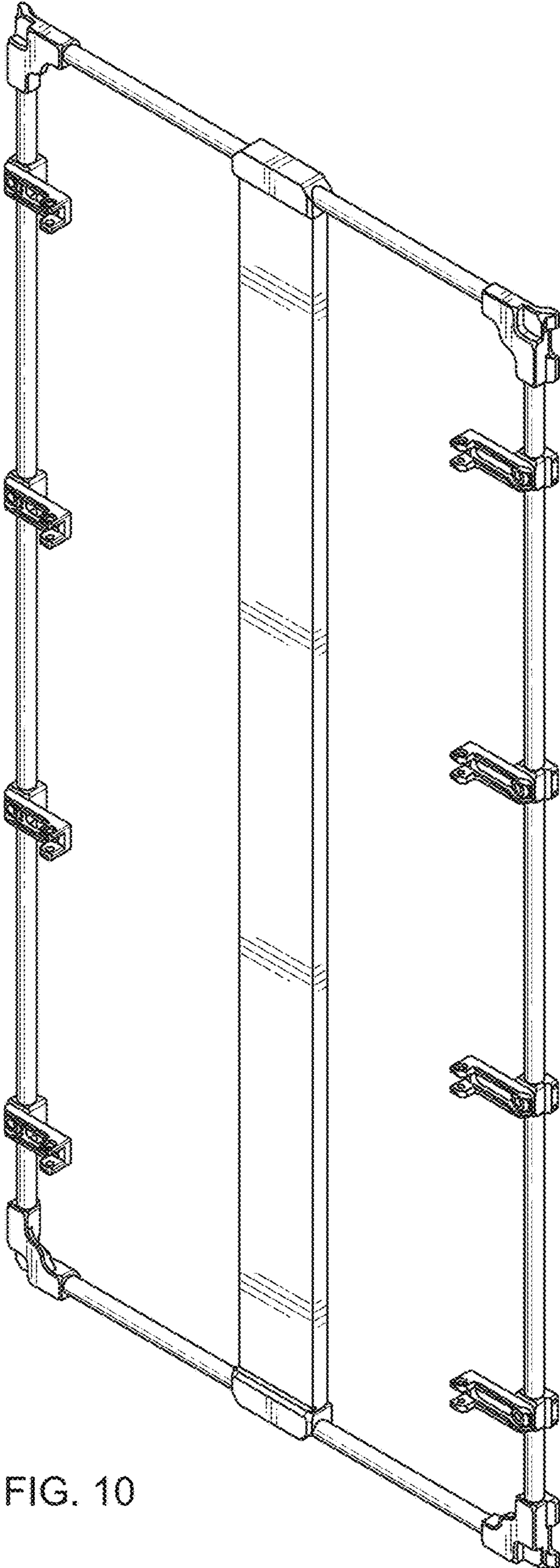


FIG. 10

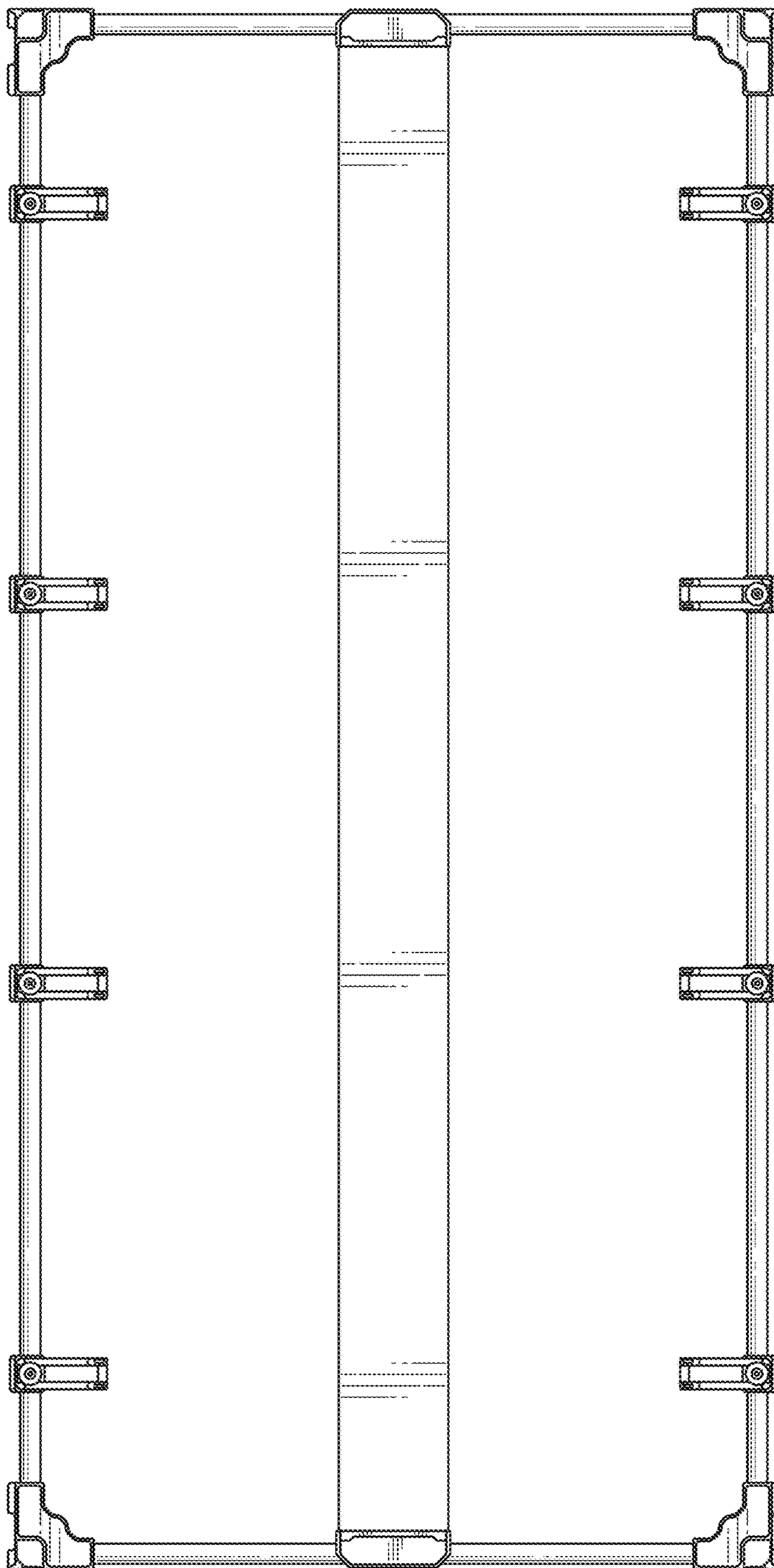


FIG. 11



FIG. 12

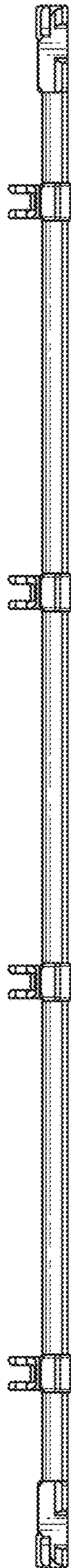


FIG. 13

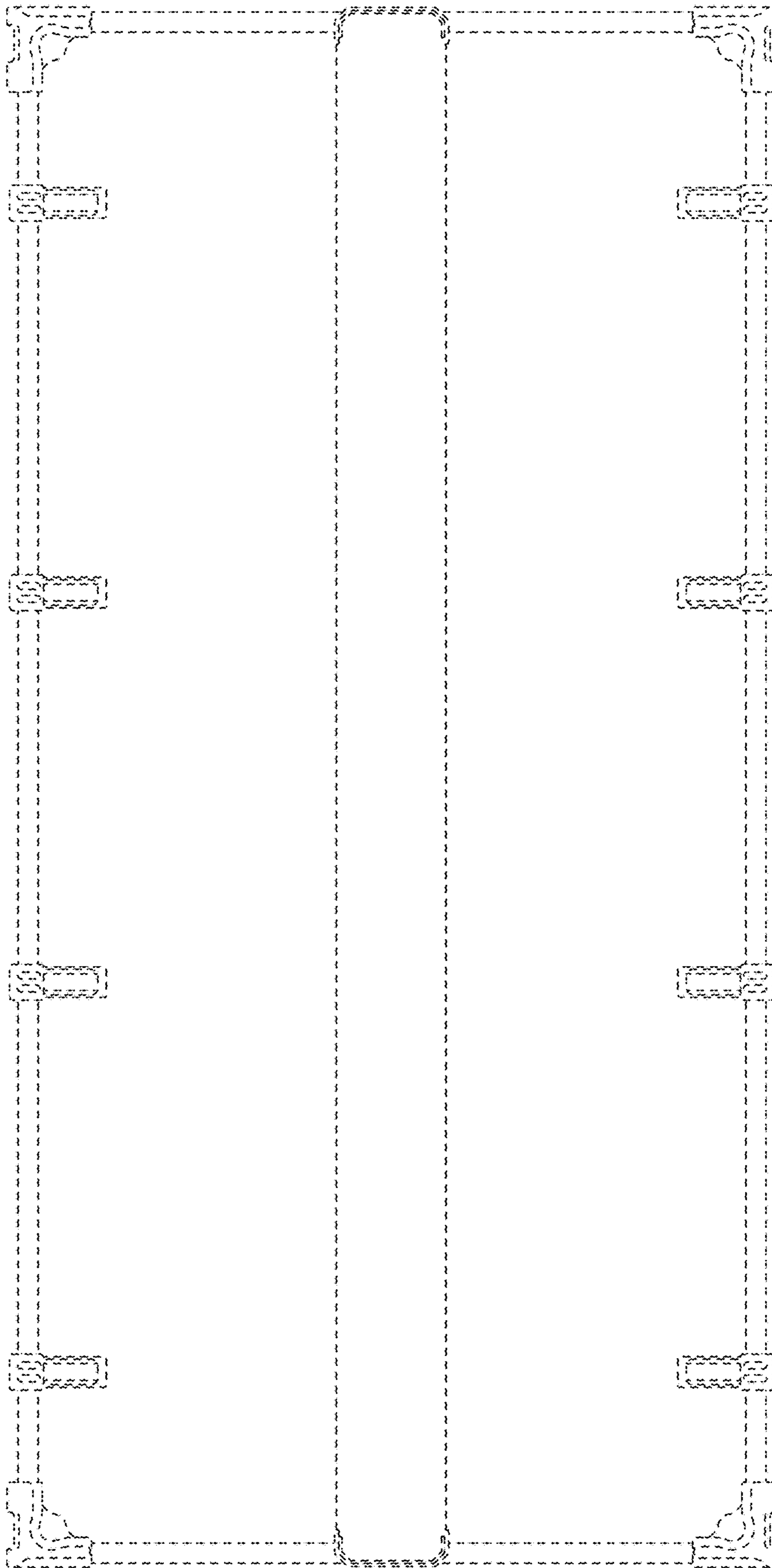


FIG. 14

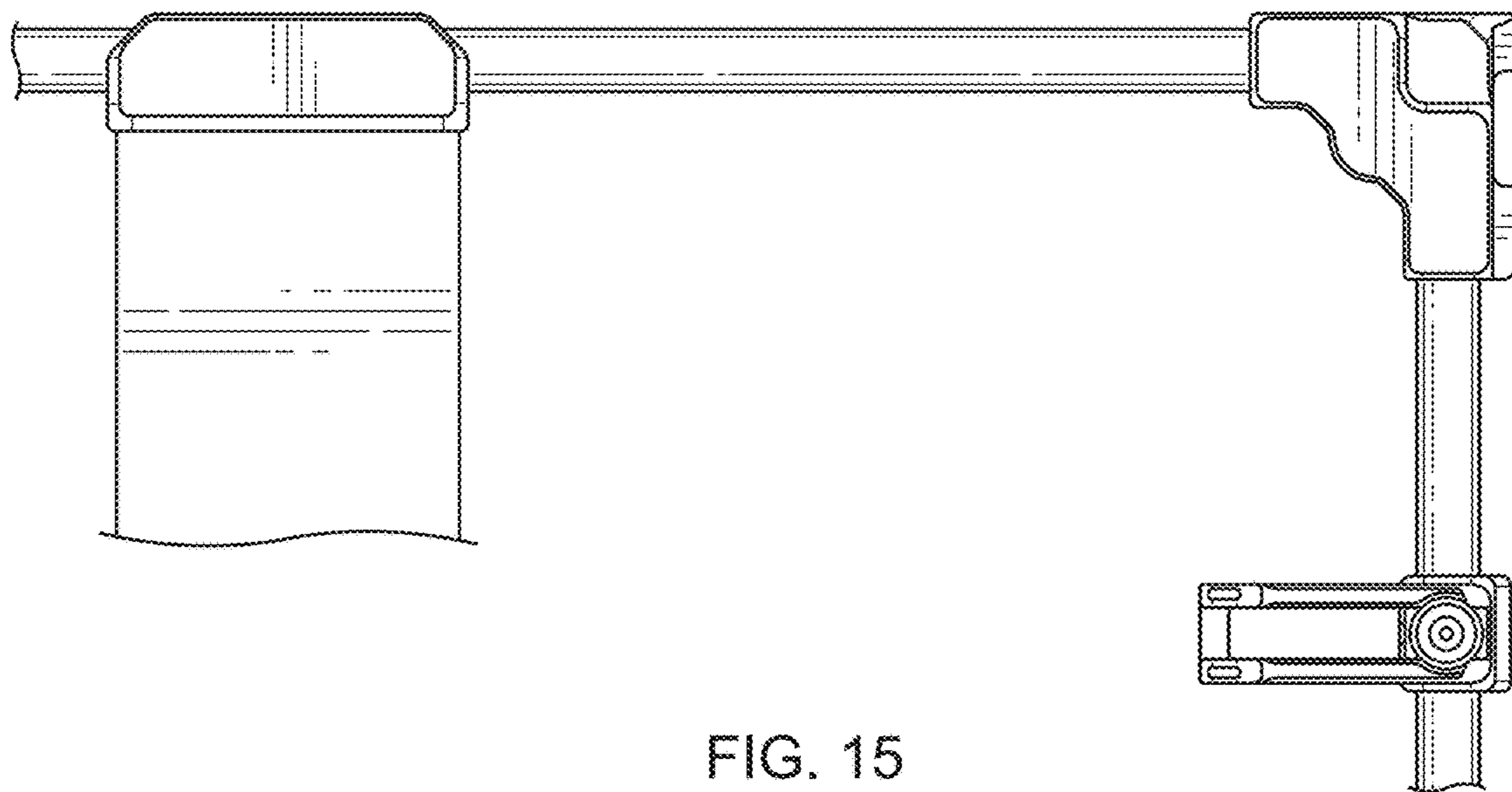


FIG. 15

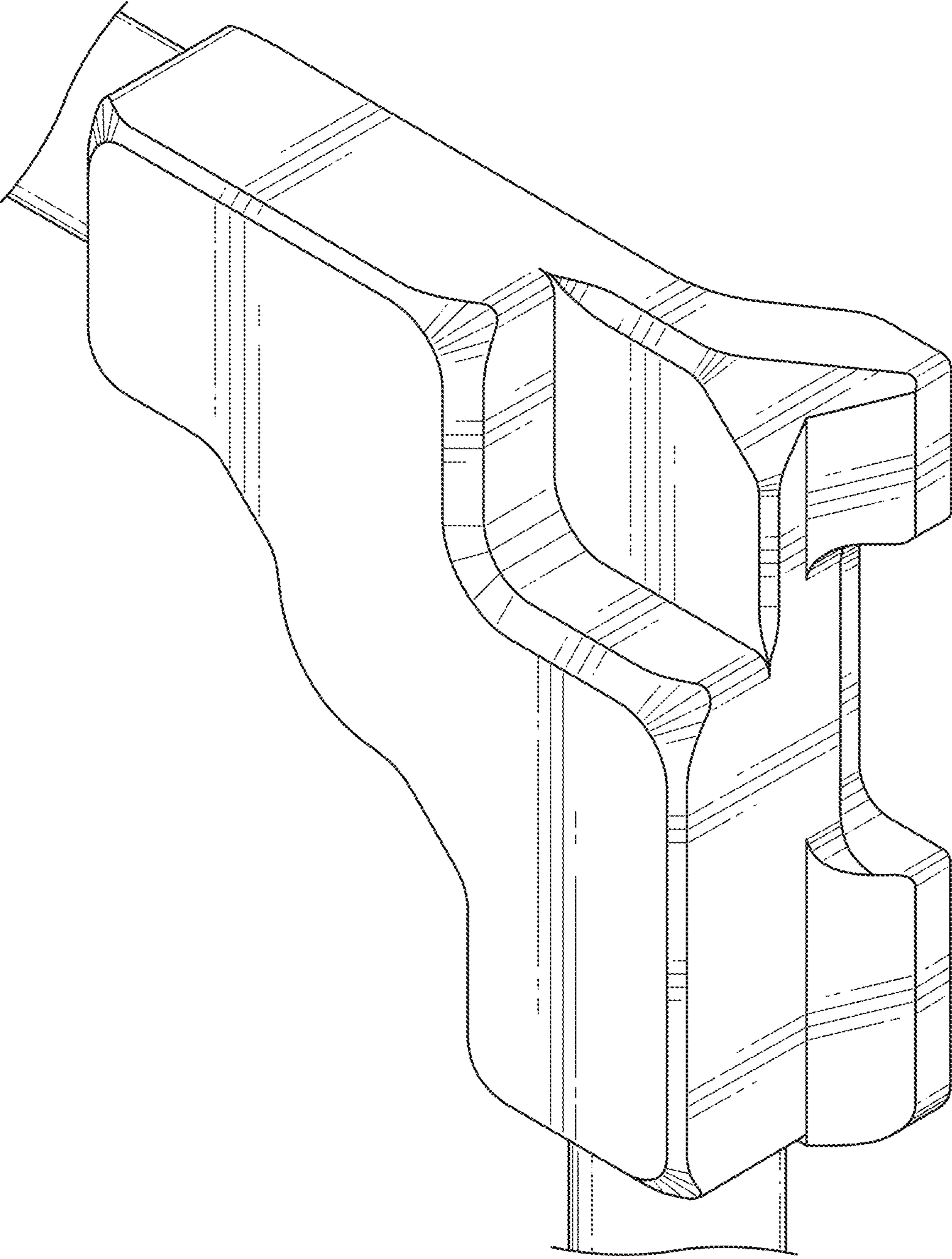


FIG. 16