



US00D779466S

(12) **United States Design Patent** (10) **Patent No.:** **US D779,466 S**
Wengreen (45) **Date of Patent:** **** Feb. 21, 2017**

(54) **MOUNT FOR ELECTRONIC DEVICES**
(71) Applicant: **Innovelis, Inc.**, Sammamish, WA (US)
(72) Inventor: **Eric John Wengreen**, Sammamish, WA (US)
(73) Assignee: **Innovelis, Inc.**, Sammamish, WA (US)

D242,766 S 12/1976 Neece
4,067,532 A 1/1978 Viteretto
4,158,450 A 6/1979 Suzuki
4,467,244 A 8/1984 Dickie
4,519,656 A 5/1985 Raz
D280,466 S 9/1985 Seltzer
D282,034 S 1/1986 Janke
4,602,761 A 7/1986 Carter

(Continued)

(**) Term: **15 Years**

(21) Appl. No.: **29/542,647**

(22) Filed: **Oct. 15, 2015**

(51) **LOC (10) Cl.** **14-01**

(52) **U.S. Cl.**
USPC **D14/238.1**

(58) **Field of Classification Search**
USPC D14/432, 434, 447, 357, 299, 496,
D14/203.1–203.8, 238.1; D21/324, 328,
D21/332, 333; 361/600, 679–686, 679.55,
361/679.56; 320/114, 115; 345/156–161,
345/905, 901; 439/529, 534, 929;
248/127, 307, 309.1, 918; 348/373, 376,
348/825, 836
CPC H05K 5/00; H05K 5/0204; H04N 5/64;
G06F 1/1601; A45F 5/00; A45F
220/0516; A45F 2200/0508; A45F
220/0525

See application file for complete search history.

(56) **References Cited**

U.S. PATENT DOCUMENTS

1,618,573 A 2/1927 Cole
2,584,646 A 2/1952 Wagstaff
3,091,378 A * 5/1963 O'Dwyer A45F 5/00
224/668
D196,542 S 10/1963 Zelnick
3,176,950 A 4/1965 Hittesdorf
3,279,009 A 10/1966 Teasdale
3,294,298 A 12/1966 Danielson
3,477,679 A 11/1969 Lovitz
3,990,617 A 11/1976 Carter

OTHER PUBLICATIONS

Out of Sight Bracket—Website Part 1 (downloaded on Nov. 13, 2013 from http://www.outofsightbracket.com/OutOfSightBracket/Out_of_Sight_Bracket_for_Apple_TV.html). The website says the Out of Sight Bracket is “Patent Pending.” The Out of Sight Bracket might have been made by Gordon H. Beckhart.

(Continued)

Primary Examiner — Prabhakar Deshmukh

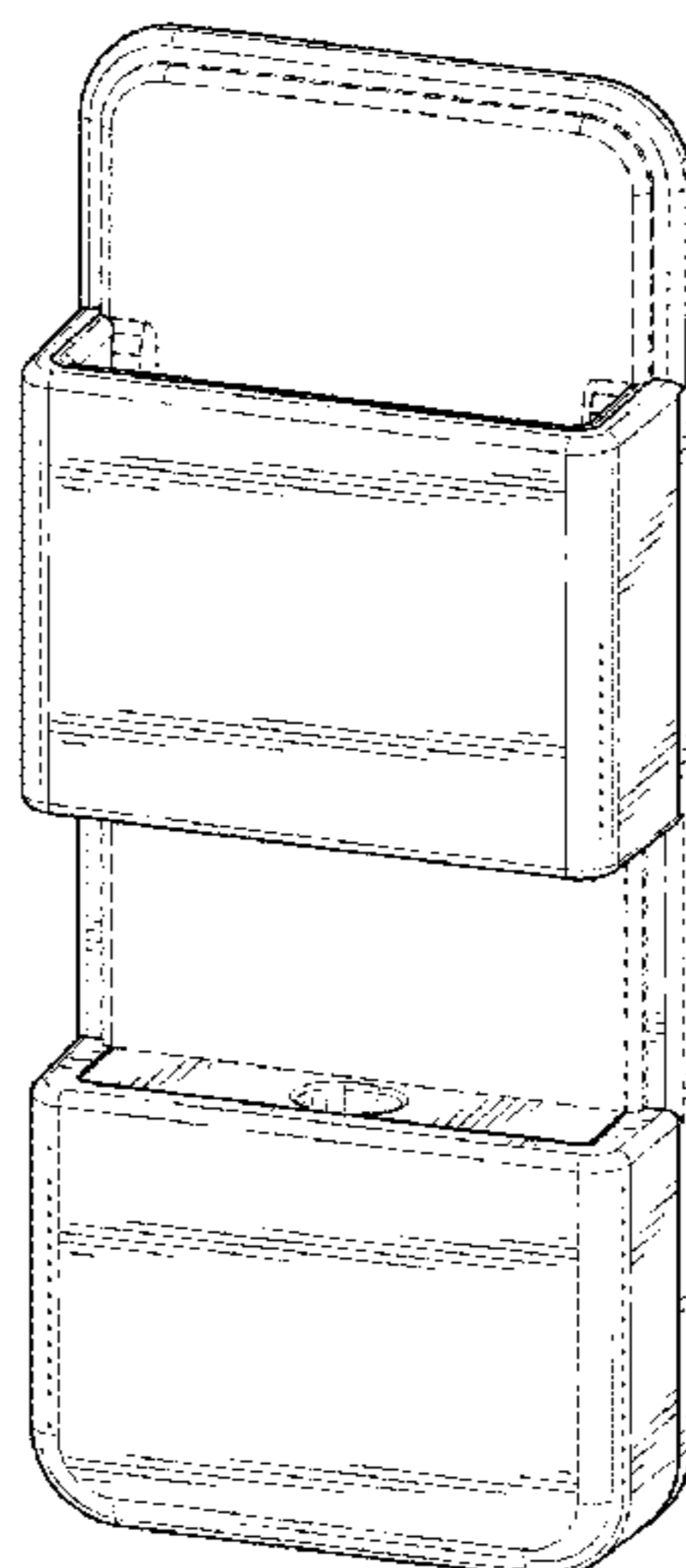
(57) **CLAIM**

The ornamental design for a mount for electronic devices, as shown and described.

DESCRIPTION

FIG. 1 is a front, side, and top perspective view of a mount for electronic devices embodying the new design; FIG. 2 is a back, side, and bottom perspective view thereof; FIG. 3 is a front view thereof; FIG. 4 is a back view thereof; FIG. 5 is a top view thereof; FIG. 6 is a bottom view thereof; FIG. 7 is a first side view thereof, the second side view being a mirror image; and, FIG. 8 is a front, side and top perspective view thereof, shown in environmental use. The broken lines depict unclaimed portions of the design and form no part of the claimed design. The broken lines in FIG. 8 indicate environmental cable and form no part of the claimed design.

1 Claim, 4 Drawing Sheets



(56)

References Cited

U.S. PATENT DOCUMENTS

4,697,780 A	10/1987	Wenkman		D553,352 S	10/2007	Allen
4,746,042 A *	5/1988	King	A45F 5/02 224/148.2	D557,266 S	12/2007	Hughes
4,771,927 A	9/1988	Ventura		D560,411 S	1/2008	Chung
4,815,683 A	3/1989	Ferrante		D564,529 S	3/2008	Hughes
4,825,590 A	5/1989	Cullinane		D565,399 S	4/2008	Grey
4,826,115 A	5/1989	Novitski		D568,889 S	5/2008	Hughes
4,840,773 A	6/1989	Wade		7,367,089 B2	5/2008	Cooke
4,852,843 A	8/1989	Chandler		D570,801 S	6/2008	Allen
4,974,764 A	12/1990	Cantwell		D586,795 S	2/2009	Richter
D317,157 S	5/1991	Jondelius		D596,172 S	7/2009	Ahlqvist
5,038,985 A	8/1991	Chapin		D598,945 S	8/2009	Gillespie
5,092,395 A	3/1992	Amidzich		7,580,255 B2	8/2009	Crooijmans
5,227,582 A	7/1993	Velasco		D601,000 S *	9/2009	Cole D8/349
5,273,690 A	12/1993	McDowell		D609,030 S *	2/2010	Barabas D14/238
5,297,318 A	3/1994	Adolphson		D610,579 S	2/2010	Behar
D351,341 S	10/1994	Hung		D624,949 S	10/2010	Nakayama
5,385,282 A	1/1995	Chen		D625,729 S	10/2010	McNames
5,400,990 A	3/1995	Frankel		D628,611 S	12/2010	Lewis
D359,616 S	6/1995	Ishibashi		7,854,420 B2	12/2010	Depay
D361,335 S	8/1995	Rudkiewicz		D633,503 S	3/2011	Bo
D361,462 S	8/1995	Newham		7,959,121 B1	6/2011	Barnes
D369,465 S	5/1996	Scheid		7,980,435 B2	7/2011	Tages
5,535,093 A	7/1996	Noguchi		D648,727 S	11/2011	Van Den Nieuwenhuizen
D376,787 S	12/1996	Calfee		D657,362 S	4/2012	Lister
5,593,124 A	1/1997	Wang		D662,491 S	6/2012	Andre
5,619,395 A	4/1997	McBride		D667,411 S	9/2012	Kim
5,619,774 A	4/1997	Perry		D672,308 S	12/2012	Cobbett
D388,107 S	12/1997	Huckins		8,322,584 B2	12/2012	Dethmers
D390,849 S *	2/1998	Richter	D14/253	8,544,805 B2	10/2013	Virgin
5,850,998 A	12/1998	Parsey		D695,748 S	12/2013	Morris
D407,408 S	3/1999	Hoff		D700,832 S	3/2014	Ng
D409,079 S	5/1999	Sobczynski		D705,229 S	5/2014	Wengreen
5,899,371 A	5/1999	Weliver		D710,340 S *	8/2014	Wengreen D14/238.1
D411,542 S *	6/1999	Richter	D14/253	D712,906 S	9/2014	Wengreen
5,914,707 A	6/1999	Kono		D713,399 S	9/2014	Green
5,961,083 A	10/1999	Hartman		8,848,113 B2	9/2014	Wengreen
5,979,724 A	11/1999	Loewenthal		D714,793 S	10/2014	Kim
D420,149 S	2/2000	Hersh		D716,580 S *	11/2014	Wengreen D6/567
6,039,173 A *	3/2000	Crow	B60R 7/082 206/5	8,896,768 B1 *	11/2014	Wengreen H05K 5/0204 348/836
D425,353 S	5/2000	Foy		8,934,060 B1	1/2015	Wengreen
6,102,660 A	8/2000	Lee		8,934,061 B1 *	1/2015	Wengreen H04N 5/64 348/836
6,105,923 A	8/2000	Robertson		8,939,417 B1	1/2015	Wengreen
D431,250 S	9/2000	Richter		D723,042 S	2/2015	Lee
6,163,997 A	12/2000	Deralas		8,988,616 B2	3/2015	Wengreen
6,193,546 B1	2/2001	Sadler		D732,939 S	6/2015	Cannaverde
D443,493 S	6/2001	Skeem		D733,542 S	7/2015	Cannaverde
6,275,885 B1	8/2001	Chin		D734,305 S	7/2015	Wengreen
6,336,615 B1	1/2002	Jeon		D735,174 S	7/2015	Wengreen
D456,024 S	4/2002	Richter		9,131,195 B2	9/2015	Wengreen
D456,413 S	4/2002	Malson		D749,549 S	2/2016	Wengreen
6,485,144 B1	11/2002	Liao		D749,597 S	2/2016	Wengreen
D471,547 S	3/2003	Ruohonen		D752,415 S *	3/2016	Lu D8/349
6,554,527 B1	4/2003	O'Donnell		9,339,112 B2	5/2016	Wengreen
6,560,983 B1	5/2003	Schimmeyer		2005/0023419 A1	2/2005	Frankel
6,691,374 B2	2/2004	Coyne		2005/0211861 A1	9/2005	Lee
6,888,940 B1	5/2005	Deppen		2005/0236541 A1	10/2005	Chang
D508,605 S	8/2005	Hwang et al.		2006/0224575 A1	10/2006	Ostojic
6,939,641 B2	9/2005	Kincaid		2007/0097617 A1	5/2007	Searby
7,047,601 B1	5/2006	Vernon-Woods		2007/0235609 A1	10/2007	Chun
7,079,384 B2	7/2006	Wang		2007/0264169 A1	11/2007	Chen
7,080,764 B2	7/2006	McNicholas		2008/0078793 A1	4/2008	Brown
7,113,218 B2	9/2006	Battles		2009/0218454 A1	9/2009	Stanley
D529,713 S	10/2006	Guyot		2009/0296997 A1	12/2009	Rocheford
D529,905 S	10/2006	Richter		2010/0281671 A1	11/2010	De Vaan
D530,713 S	10/2006	Richter		2010/0288895 A1	11/2010	Shamie
D533,175 S	12/2006	Richter		2010/0314277 A1	12/2010	Murray
7,145,603 B2	12/2006	Whitby		2011/0242439 A1	10/2011	Calderon
D535,826 S	1/2007	Toghanian		2012/0126081 A1	5/2012	Wengreen
D536,239 S	2/2007	Tallman		2012/0127379 A1	5/2012	Wengreen
7,222,762 B2	5/2007	Rees		2012/0168516 A1	7/2012	Bolger
D545,343 S	6/2007	Braun		2012/0312950 A1	12/2012	Sears
D547,863 S	7/2007	Heinsch				
D551,008 S	9/2007	Hidalgo				

(56)

References Cited

U.S. PATENT DOCUMENTS

2014/0061406 A1 3/2014 Chevalier
2015/0305502 A1 10/2015 Wengreen

OTHER PUBLICATIONS

Out of Sight Bracket—Website Part 2 (downloaded on Nov. 13, 2013 from http://www.outofsightbracket.com/OutOfSightBracket/How_to_mount_your_Apple_TV_or_AirPort_Express.html).

The website says the Out of Sight Bracket is “Patent Pending.” The Out of Sight Bracket might have been made by Gordon H. Beckhart. Out of Sight Bracket—Website Part 3 (downloaded on Nov. 13, 2013 from <http://www.soundandvision.com/content/bracket-keeps-apple-airport-express-and-apple-tv-out-sight>).

TV Tray—Website (downloaded on Nov. 13, 2013 from <http://h-sq.com/products/tvtray/>).

TV Tray—Installation Guide (downloaded on Nov. 13, 2013 from http://www.h-sq.com/downloads/tvtx_ug.pdf).

Cosmos Tray—Website (downloaded on Nov. 13, 2013 from http://www.amazon.com/Cosmos-MD199LL-AirPort-Express-Station/dp/B00C2JNGB2/ref=sr_1_4?ie=UTF8&qid=1384406376&sr=8-4&keywords=apple+tv+mount).

CTA Digital—Website (downloaded on Nov. 13, 2013 from <http://www.ctadigital.com/downloads/KIN-WMC-final.pdf>).

PDP Mounting Clip—Part 1 (downloaded on Nov. 13, 2013 from <http://www.amazon.com/Kinect-Sensor-TV-Mounting-Clip-Xbox/dp/B004XV6ST4>).

PDP Mounting Clip—Part 2 (downloaded on Nov. 13, 2013 from http://www.microsoftstore.com/store/msusa/en_US/pdp/Kinect-Sensor-TV-Mounting-Clip/productID.53726200).

PDP Mounting Clip—Part 3 (downloaded on Nov. 13, 2013 from <http://www.bestbuy.com/site/pdp-sensor-mounting-clip-for-kinect/3521258.p?id=1218408957863&skuId=3521258>).

ScreenDeck (downloaded on Nov. 13, 2013 from http://news.cnet.com/8301-17938_105-20071226-1/screendeck-adds-top-shelf-to-your-flat-panel-tv/).

Center Stage Bracket—Part 1 (downloaded on Nov. 13, 2013 from <http://www.bestbuy.com/site/center-stage-bracket-satellite-center-channel-speaker-shelf-bracket-black/5857191.p?id=1218697292805&skuId=5857191>).

Center Stage Bracket—Part 2 (downloaded on Nov. 13, 2013 from <http://www.bestbuy.com/site/center-stage-bracket-satellite-center-channel-speaker-shelf-bracket-black/5857191.p?id=1218697292805&skuId=5857191>).

DreamGear TriMount (downloaded on Nov. 14, 2013 from <http://www.dreamgear.net/shop-by-platform/universal/trimount.html>).

Cisco router wall mounting instructions (downloaded on Jan. 2, 2014 from <http://www.cisco.com/en/US/docs/routers/access/1800/1841/hardware/installation/guide/18inst.pdf>).

Cisco wall mounting bracket (downloaded on Jan. 2, 2014 from <http://www.cisco.com/en/US/docs/routers/access/800/806/hardware/installation/guide/install.pdf>).

Netgear ProSafe (downloaded on Jan. 2, 2014 from http://www.storagereview.com/netgear_prosafe_wndap660_dualband_wireless_access_point_review) article includes a date of Dec. 21, 2012.

Wireless router picture (downloaded on Jan. 2, 2014 from <http://www.techwarelabs.com/wp-content/gallery/engeniuss-esr9850-wireless-router/router-bottom.jpg>).

Apple TV, downloaded on Feb. 3, 2014 from <http://www.apple.com/appletv/what-is/>.

Roku media players—Part 1, downloaded on Feb. 3, 2014 from <http://www.roku.com/products/roku-2>.

Roku media players—Part 2, downloaded on Feb. 3, 2014 from <http://www.roku.com/products/compare>.

Innovelis, Inc. Product—TotalMount—Apple TV Mounting Kit, downloaded from Amazon.com on Feb. 3, 2014, first available on Amazon.com on Jun. 22, 2011: http://www.amazon.com/TotalMount-Apple-Universal-Mounting-Kit/dp/B0057CVH6W/ref=sr_1_1?ie=UTF8&qid=1391473446&sr=8-1&keywords=TOTALMOUNT.

Innovelis, Inc. Product—TotalMount—Roku Mounting Kit, downloaded from Amazon.com on Feb. 3, 2014, first available on Amazon.com on Jun. 14, 2012: http://www.amazon.com/TotalMount-ROKU-UNIVERSAL-MOUNTING-Compatible/dp/B008B1125W/ref=sr_1_2?ie=UTF8&qid=1391473922&sr=8-2&keywords=totmount.

Innovelis, Inc. Product—TotalMount—Remote Holder, downloaded from Amazon.com on Feb. 3, 2014, first available on Amazon.com on Jul. 2, 2013: http://www.amazon.com/Apple-TV-Remote-Holder-TotalMount/dp/B00DR76YJO/ref=sr_1_3?ie=UTF8&qid=1391474218&sr=8-3&keywords=totmount.

Innovelis, Inc. Product—TotalMount—AirPort Express Mounting Kit, downloaded from Amazon.com on Feb. 3, 2014, first available on Amazon.com in approximately Sep. 2012: http://www.amazon.com/TotalMount-AirPort-Express-Mounting-Kit/dp/B009HC7BL8/ref=sr_1_4?ie=UTF8&qid=1391474218&sr=8-4&keywords=totmount.

Innovelis, Inc. Product—TotalMount—Roku Mounting Kit (Version 1), downloaded from Amazon.com on Feb. 3, 2014, first available on Amazon.com on Jan. 19, 2012: http://www.amazon.com/TotalMount-ROKU-MOUNTING-Compatible-Roku/dp/B006ZS4R46/ref=sr_1_5?ie=UTF8&qid=1391474218&sr=8-5&keywords=totmount.

Innovelis, Inc. Product—TotalMount—AirPort Extreme Mounting Kit, downloaded from Amazon.com on Feb. 3, 2014, first available on Amazon.com in approximately Apr. 2013: http://www.amazon.com/TotalMount-Compatible-generations-compatible-generation/dp/B00CK2CDLK/ref=sr_1_7?ie=UTF8&qid=1391474218&sr=8-7&keywords=totmount.

Innovelis, Inc. Product—TotalMount—Vizio Mounting Kit, downloaded from Amazon.com on Feb. 3, 2014, first available on Amazon.com in approximately May 2013: http://www.amazon.com/TotalMount-VIZIO-Co-Star-Mounting-Kit/dp/B00GDMXSZ8/ref=sr_1_10?ie=UTF8&qid=1391474218&sr=8-10&keywords=totmount.

Innovelis, Inc. Product—TotalMount—Amazon Fire TV Mounting System, downloaded from Amazon.com on Mar. 7, 2016, first available on Amazon.com in approximately Jul. 2014 http://www.amazon.com/TotalMount-VIZIO-Co-Star-Mounting-Kit/dp/B00GDMXSZ8/ref=sr_1_10?ie=UTF8&qid=1391474218&sr=8-10&keywords=totmount.

Amazon Fire TV, downloaded on Jun. 2, 2014 from <http://www.amazon.com/Fire-TV-streaming-media-player/dp/B00CX5P8FC>.

Logitech HD Pro Webcam C910, downloaded on Oct. 9, 2014 from http://www.amazon.com/Logitech-Webcam-C910-1080p-Video/dp/B003M2YT96/ref=sr_1_6?ie=UTF8&qid=1287528024&sr=8-6.

HP KQ246AA 8.0 MP Deluxe Webcam, downloaded on Oct. 9, 2014 from http://www.amazon.com/HP-KQ246AA-8-0-Deluxe-Webcam/dp/B001D8AGA2/ref=sr_1_4?ie=UTF8&qid=1410543707&sr=8-4&keywords=hp+webcam.

Logitech Webcam C200, downloaded on Oct. 9, 2014 from http://www.amazon.com/Logitech-960-000415-Webcam-C200/dp/B002GP7ZTQ/ref=pd_cp_pc_0.

USB 6 LED PC Webcam, downloaded on Oct. 9, 2014 from http://www.amazon.com/Webcam-Camera-Night-Vision-Meeting/dp/B00MTGV4F8/ref=sr_1_88?s=electronics&ie=UTF8&qid=1410543946&sr=1-88&keywords=webcam+clamp.

Twelve South—HiRise Owner’s Guide (showing additional details regarding the product shown in U.S. Pat. No. D713,399), available at least as early as Aug. 8, 2013.

* cited by examiner

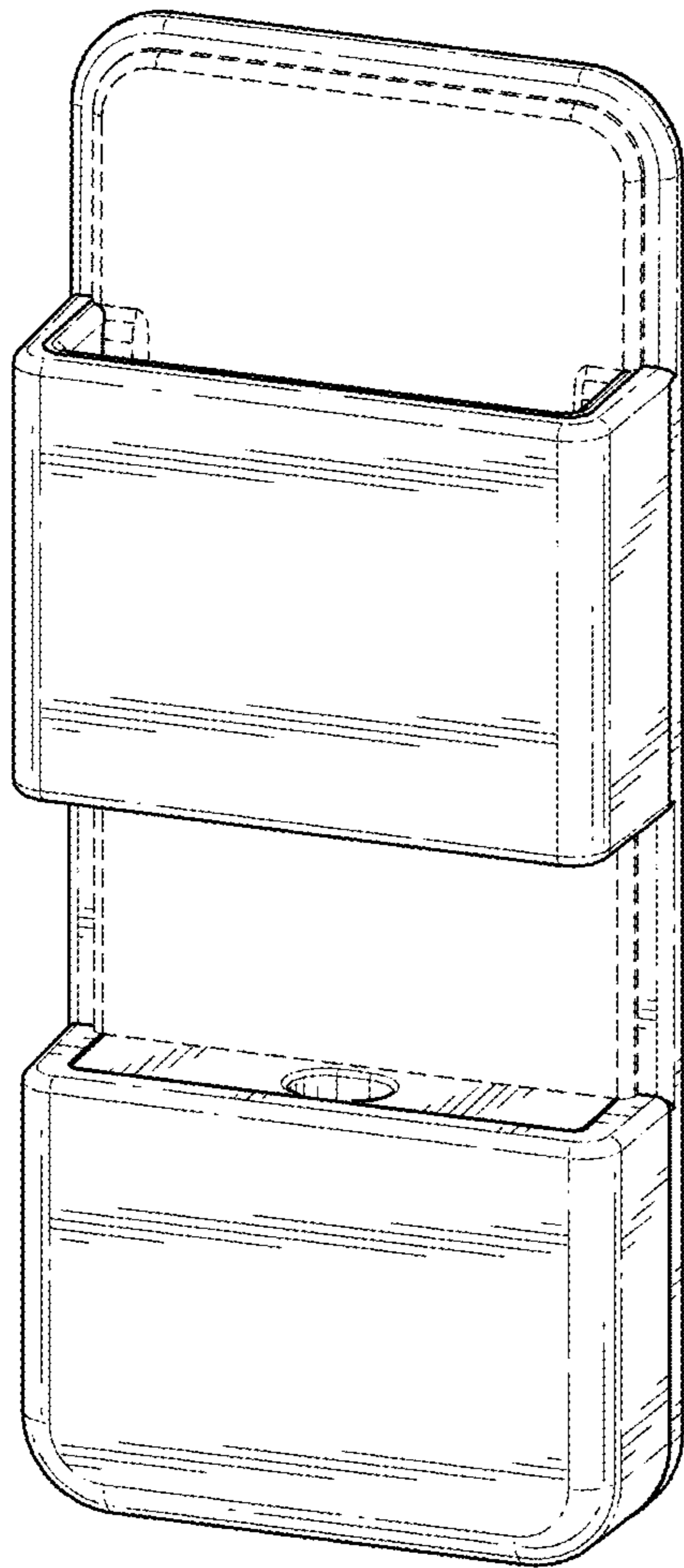


FIG. 1

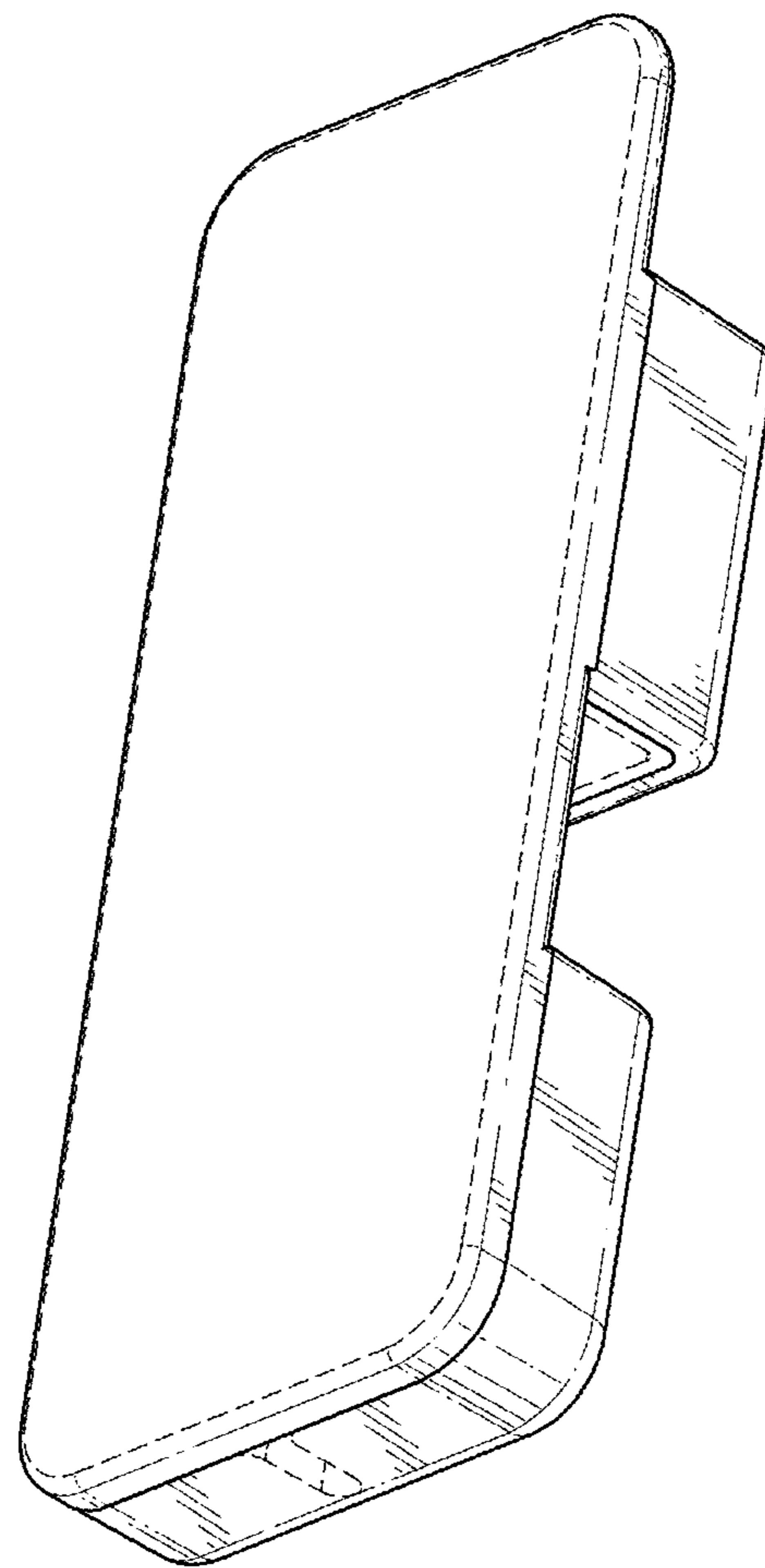


FIG. 2

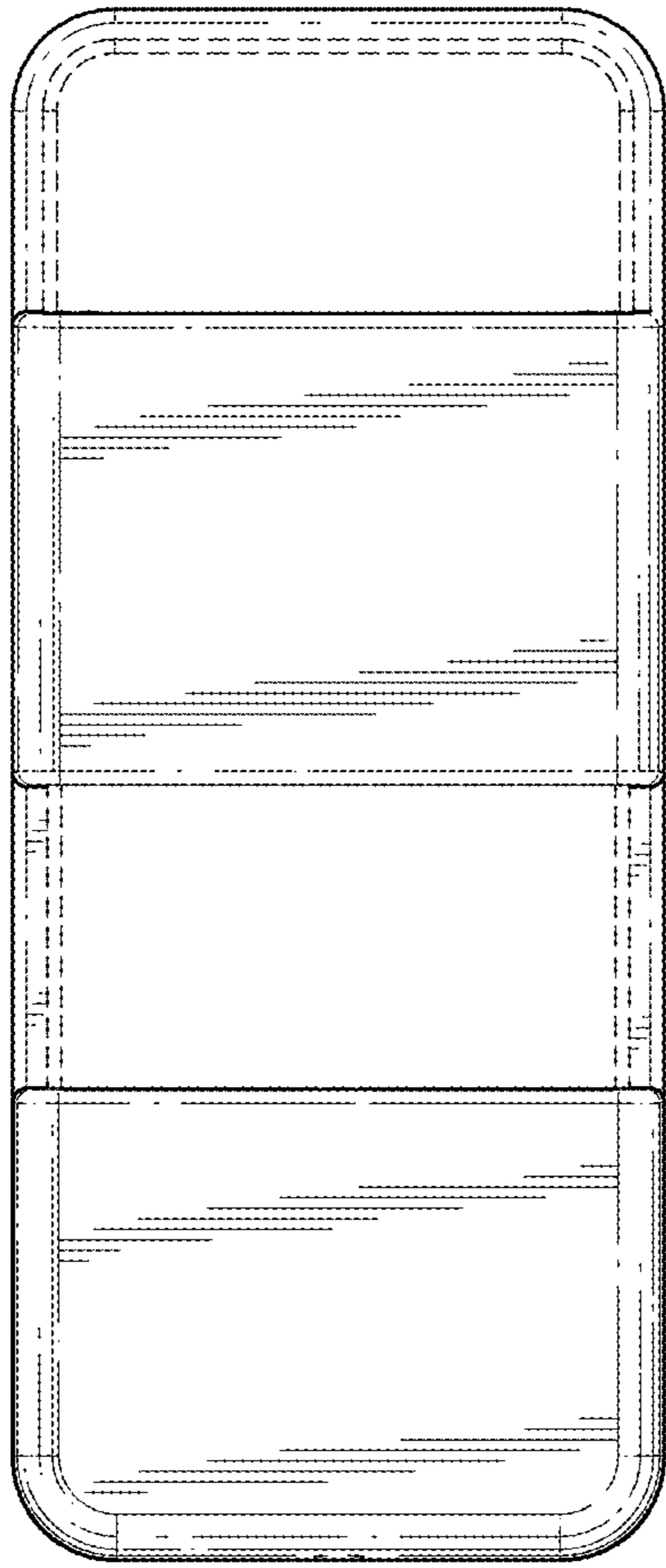


FIG. 3

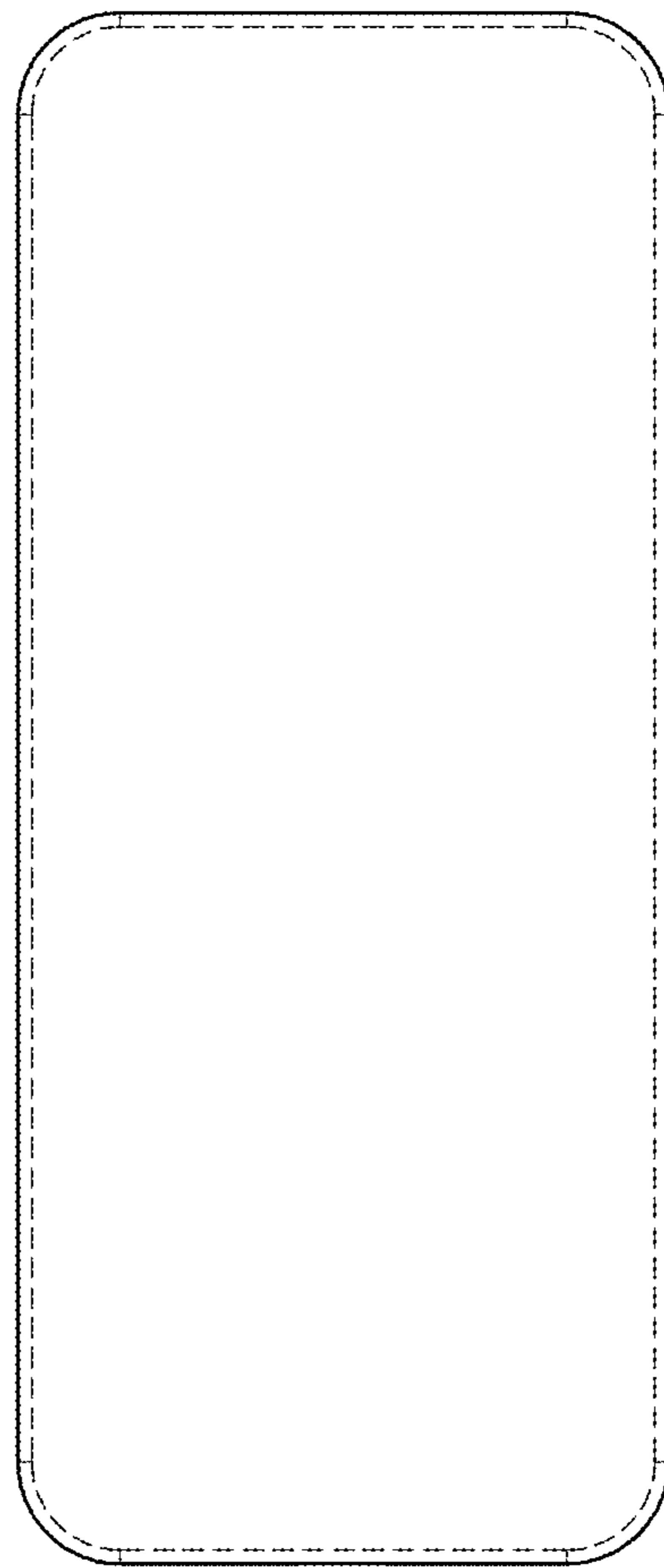


FIG. 4

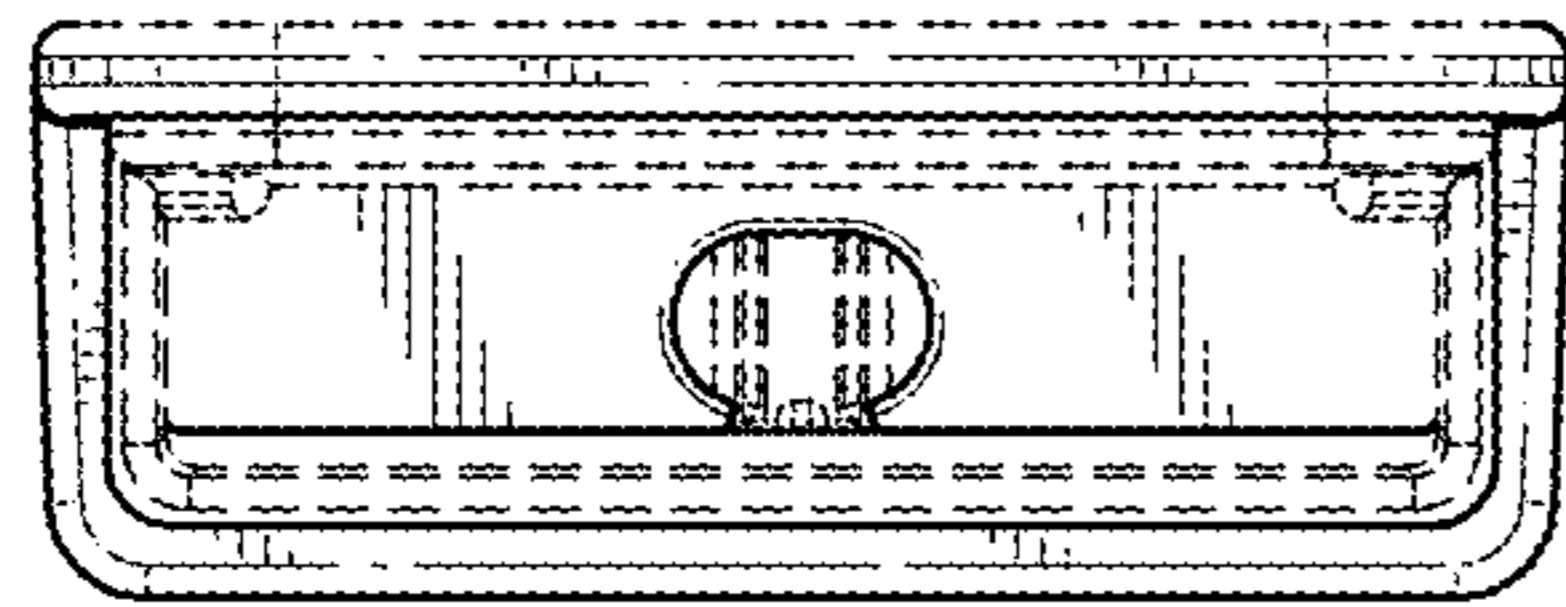


FIG. 5

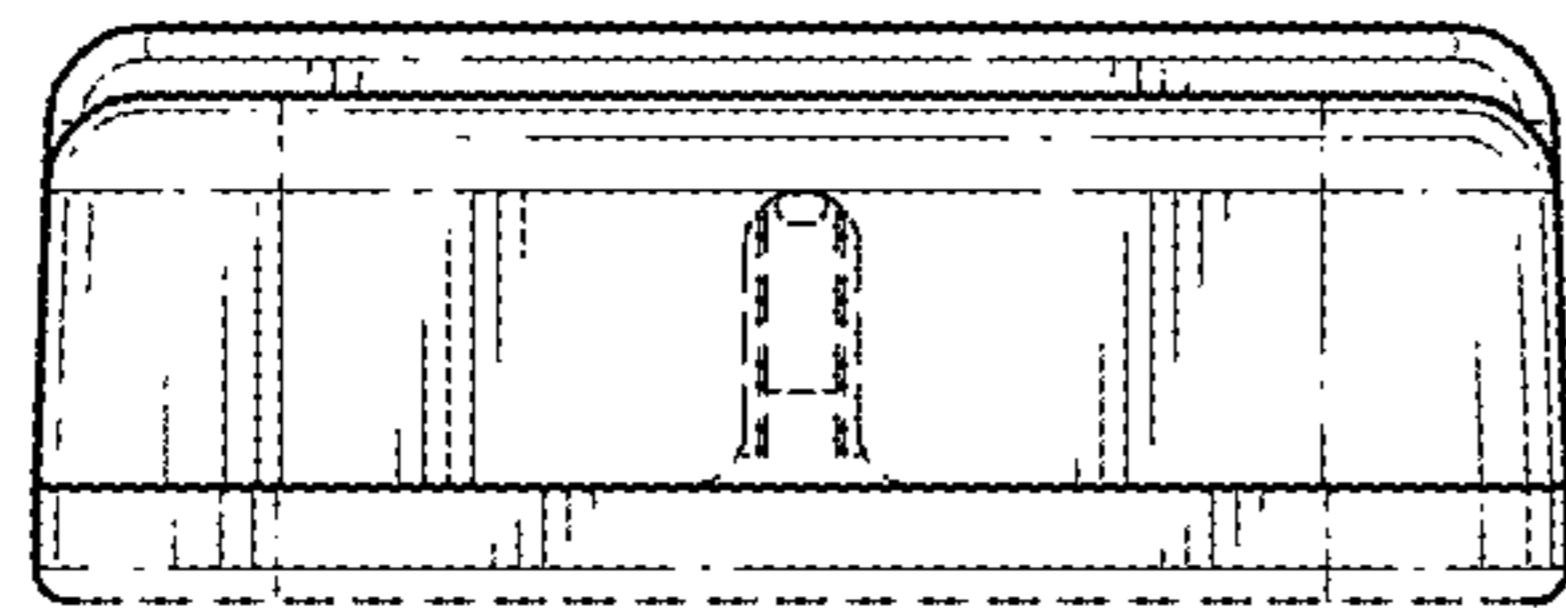


FIG. 6

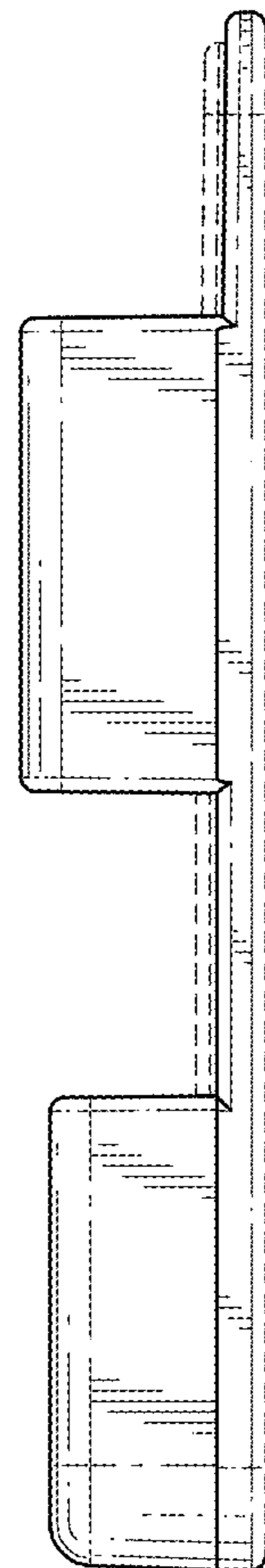


FIG. 7

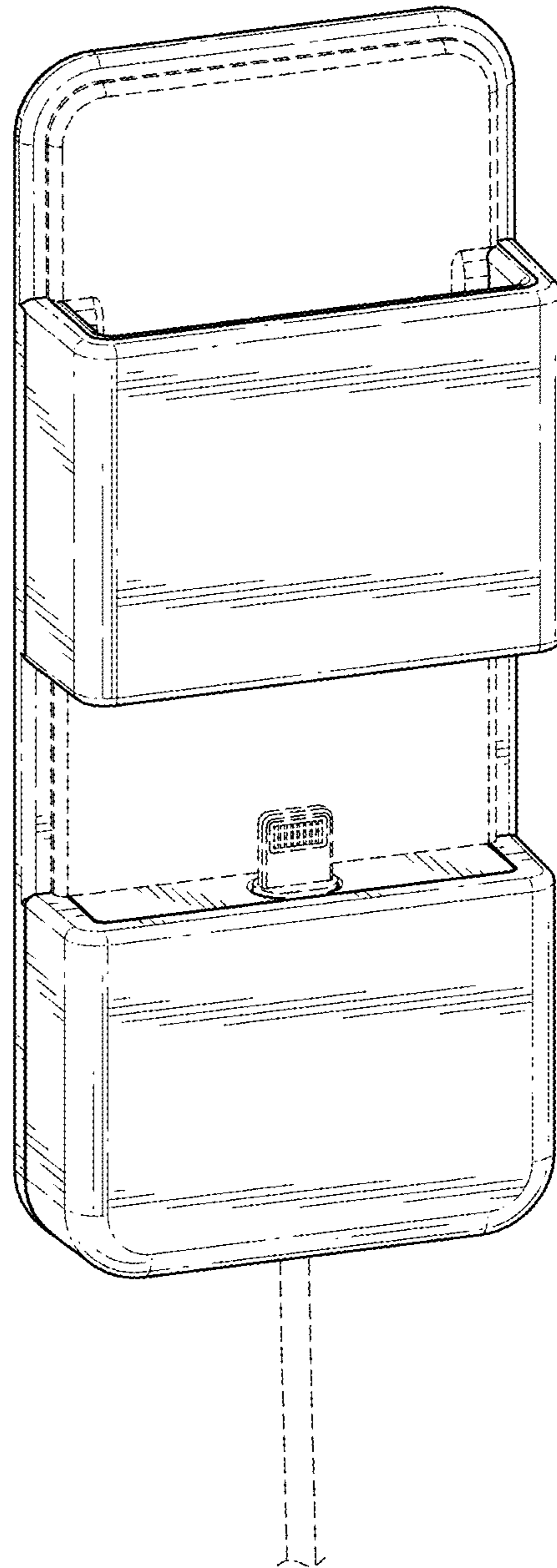


FIG. 8