



US00D779463S

(12) **United States Design Patent** (10) **Patent No.:** **US D779,463 S**  
**Zheng et al.** (45) **Date of Patent:** **\*\* Feb. 21, 2017**

(54) **ANTENNA**  
(71) Applicant: **Airgain Incorporated**, San Diego, CA  
(US)  
(72) Inventors: **Bei Zheng**, Zhang Jia Gang (CN);  
**Xiangjie Bian**, Zhang Jia Gang (CN)  
(73) Assignee: **Airgain Incorporated**, San Diego, CA  
(US)

(\*\*) Term: **15 Years**

(21) Appl. No.: **29/549,600**

(22) Filed: **Dec. 27, 2015**

(51) **LOC (10) Cl.** ..... **14-03**

(52) **U.S. Cl.**  
USPC ..... **D14/230**

(58) **Field of Classification Search**  
USPC ..... D14/138, 230-238.1, 299, 358; D13/182  
CPC ..... H01L 33/48; H01L 33/486; H01L 23/02;  
H05K 5/00; H01Q 13/10  
See application file for complete search history.

(56) **References Cited**

**U.S. PATENT DOCUMENTS**

D633,900 S \* 3/2011 Tsai ..... D14/230  
D654,062 S \* 2/2012 Ko ..... D14/230  
D709,053 S \* 7/2014 Chang ..... D14/230  
D763,834 S \* 8/2016 Zheng ..... D14/230

D766,221 S \* 9/2016 Zheng ..... D14/230  
D768,117 S \* 10/2016 Yang ..... D14/230  
2008/0150829 A1\* 6/2008 Lin ..... G06F 1/1616  
343/860

**OTHER PUBLICATIONS**

<http://airgain.com/our-services/embedded-antennas/>—Retrieved  
Dec. 17, 2016.\*

\* cited by examiner

*Primary Examiner* — Manpreet Matharu

*Assistant Examiner* — Mojtaba Tehrani

(74) *Attorney, Agent, or Firm* — Clause Eight IPS;  
Michael Catania

(57) **CLAIM**

The ornamental design for an antenna, as shown and  
described.

**DESCRIPTION**

FIG. 1 is a top plan view of an antenna, showing our new  
design;

FIG. 2 is a side elevation view thereof;

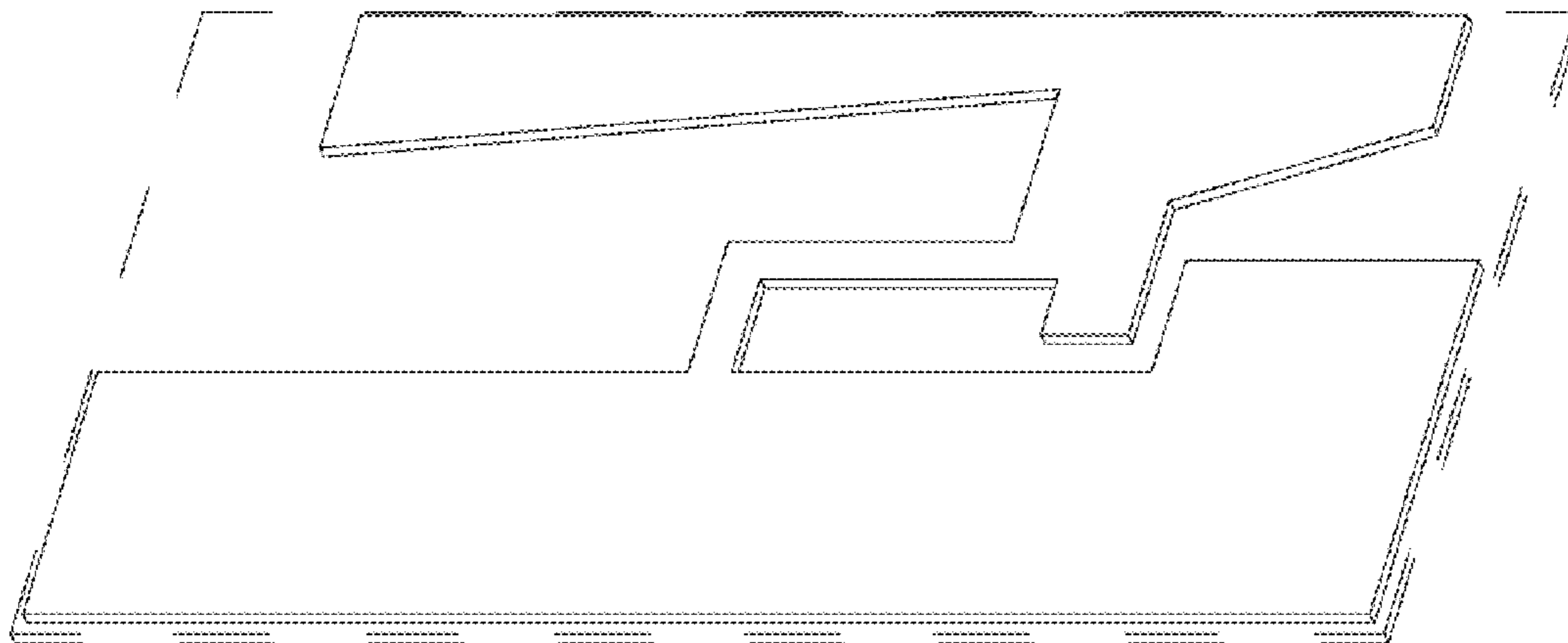
FIG. 3 is a front elevation view thereof;

FIG. 4 is a bottom plan view thereof; and,

FIG. 5 is a top perspective view thereof.

The broken line in the figure drawings represents unclaimed  
environment only and forms no part of the claimed design.

**1 Claim, 1 Drawing Sheet**



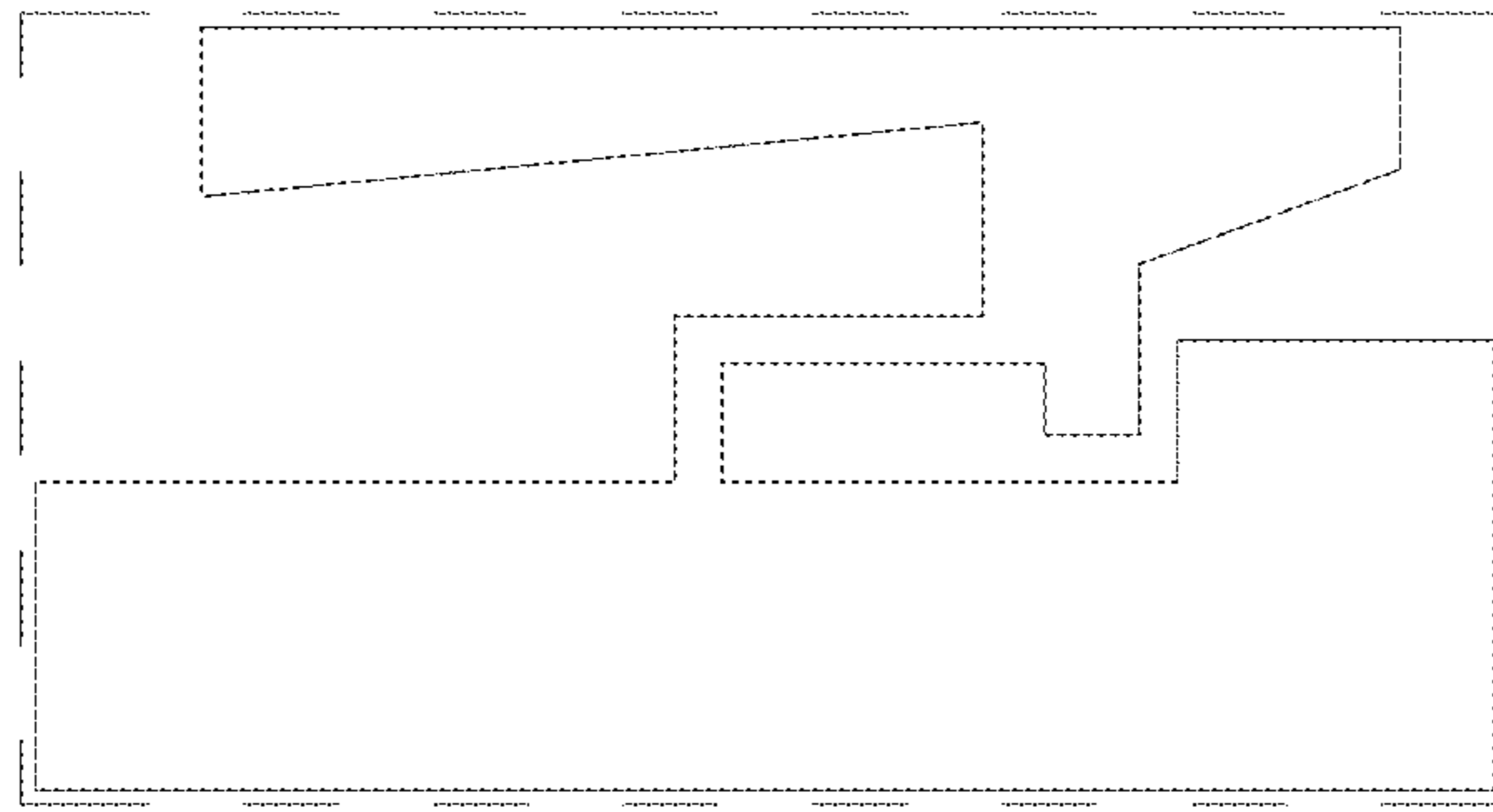


FIG. 1



FIG. 2

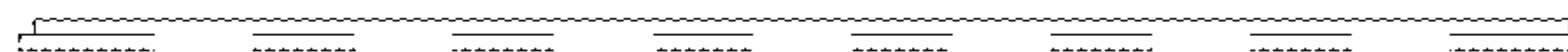


FIG. 3

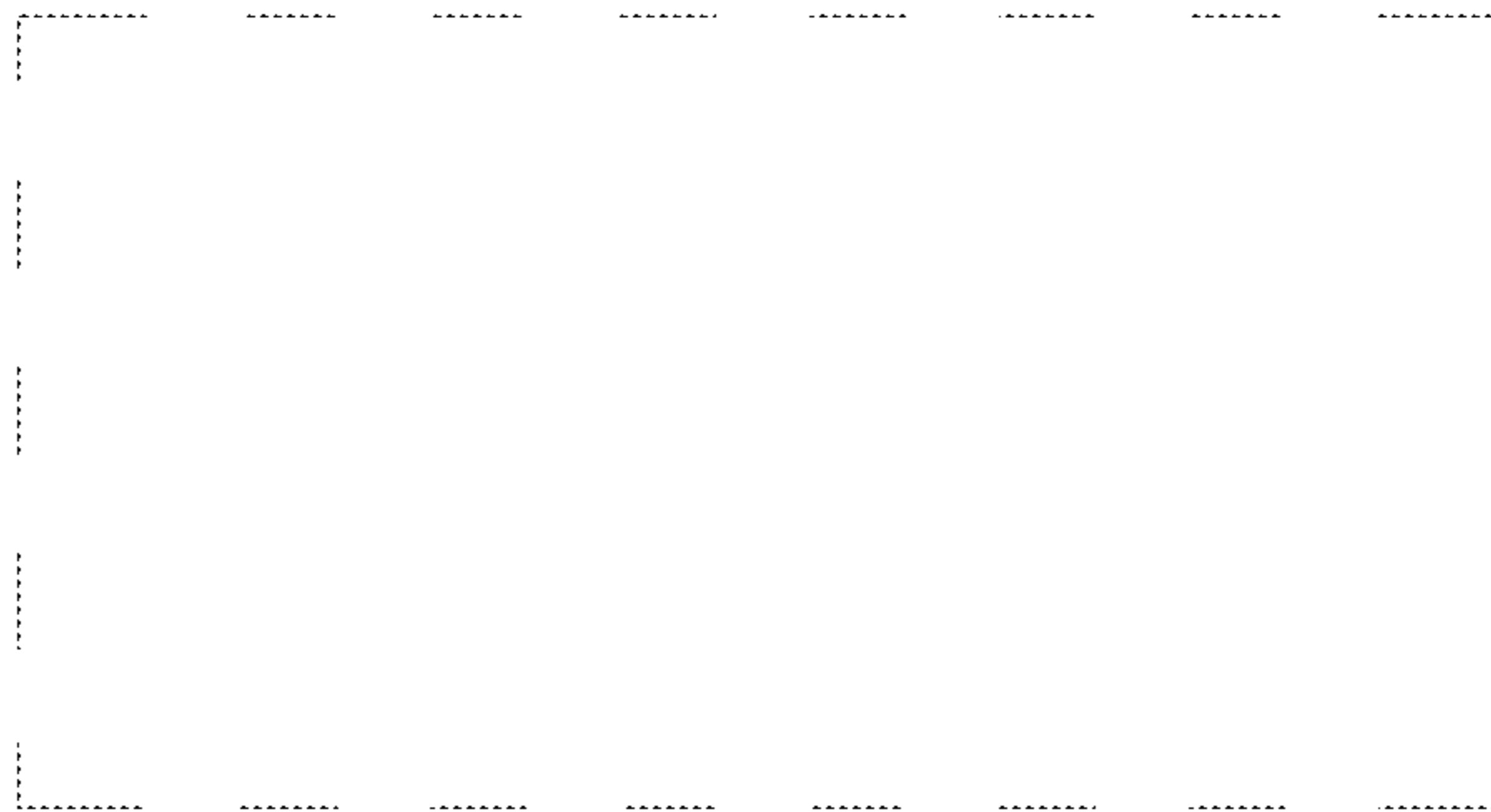


FIG. 4

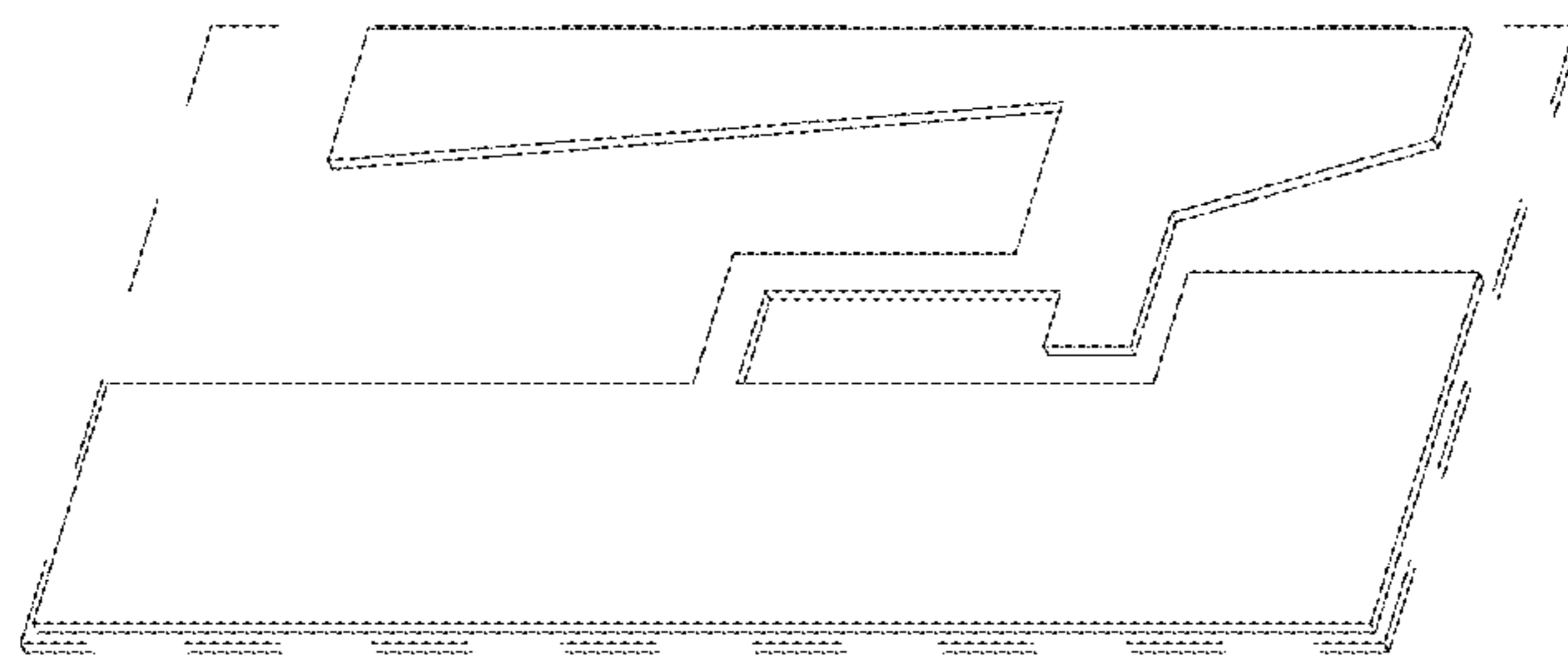


FIG. 5