



US00D779462S

(12) **United States Design Patent** (10) **Patent No.:** **US D779,462 S**
Birger (45) **Date of Patent:** **** Feb. 21, 2017**

(54) **HEADSET**
(71) Applicant: **GN Netcom A/S**, Ballerup (DK)
(72) Inventor: **Johan Birger**, Malmo (SE)
(73) Assignee: **GN Netcom A/S** (DK)
(**) Term: **15 Years**
(21) Appl. No.: **29/545,363**
(22) Filed: **Nov. 12, 2015**

Related U.S. Application Data

(62) Division of application No. 29/478,176, filed on Jan. 1, 2014, now Pat. No. Des. 746,267.

Foreign Application Priority Data

Jul. 3, 2013 (EM) 002267567-0001
(51) **LOC (10) Cl.** **14-01**
(52) **U.S. Cl.**
USPC **D14/223**
(58) **Field of Classification Search**
USPC D14/223, 205; 181/129, 130, 135;
379/430, 431; 381/380, 381, 370, 371,
381/374, 376, 379, 382, 384, 328, 329,
381/386; 455/90.3, 575.1
CPC H04R 1/10; H04R 25/00; H04M 1/00
See application file for complete search history.

References Cited

U.S. PATENT DOCUMENTS

2,136,720 A * 11/1938 White H04R 11/00
381/151
D457,513 S * 5/2002 Pirelli D14/205
D475,996 S * 6/2003 Skulley D14/223
D480,073 S 9/2003 Jensen et al.

6,760,459 B2 * 7/2004 Bae H04R 1/1025
379/430
D518,816 S 4/2006 Naito et al.
D520,497 S 5/2006 Yang
D528,529 S 9/2006 Rose et al.
D528,531 S 9/2006 Rose et al.
D536,692 S 2/2007 Alwicker et al.
D538,271 S * 3/2007 Kim D14/223
D538,792 S 3/2007 Kim et al.
D539,782 S 4/2007 Lee
D539,787 S * 4/2007 Kim D14/223
D550,215 S * 9/2007 Udagawa D14/223
D553,613 S 10/2007 Sade et al.
D555,151 S 11/2007 Eklund
D562,310 S 2/2008 Moon et al.
D564,500 S 3/2008 Wang
7,346,180 B2 3/2008 Ham
D566,103 S 4/2008 Sade et al.
D568,301 S * 5/2008 Kim D14/205
D573,582 S 7/2008 Ma
D573,983 S * 7/2008 Bang D14/223
D574,366 S 8/2008 Sade et al.
D582,897 S * 12/2008 Christopher D14/223

(Continued)

Primary Examiner — Paula Greene

(74) *Attorney, Agent, or Firm* — Altera Law Group, LLC

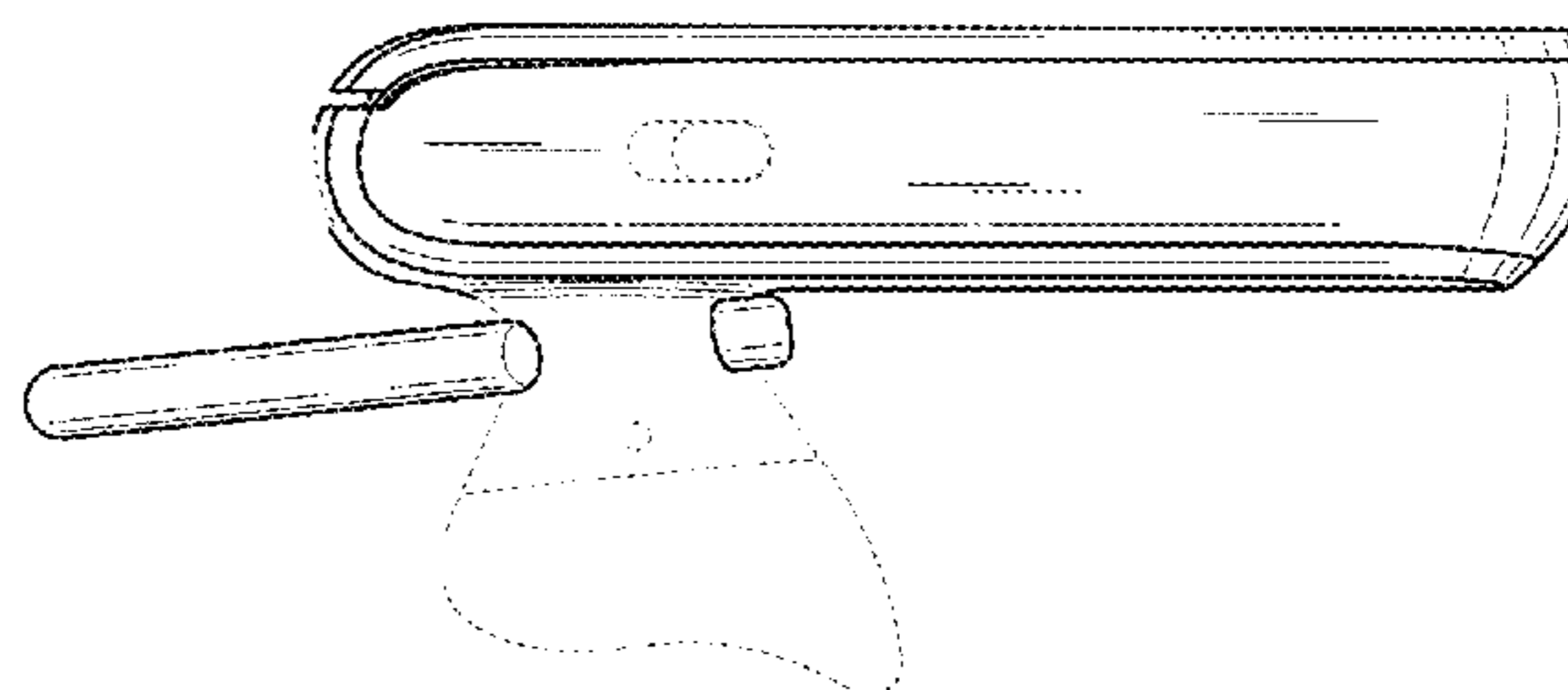
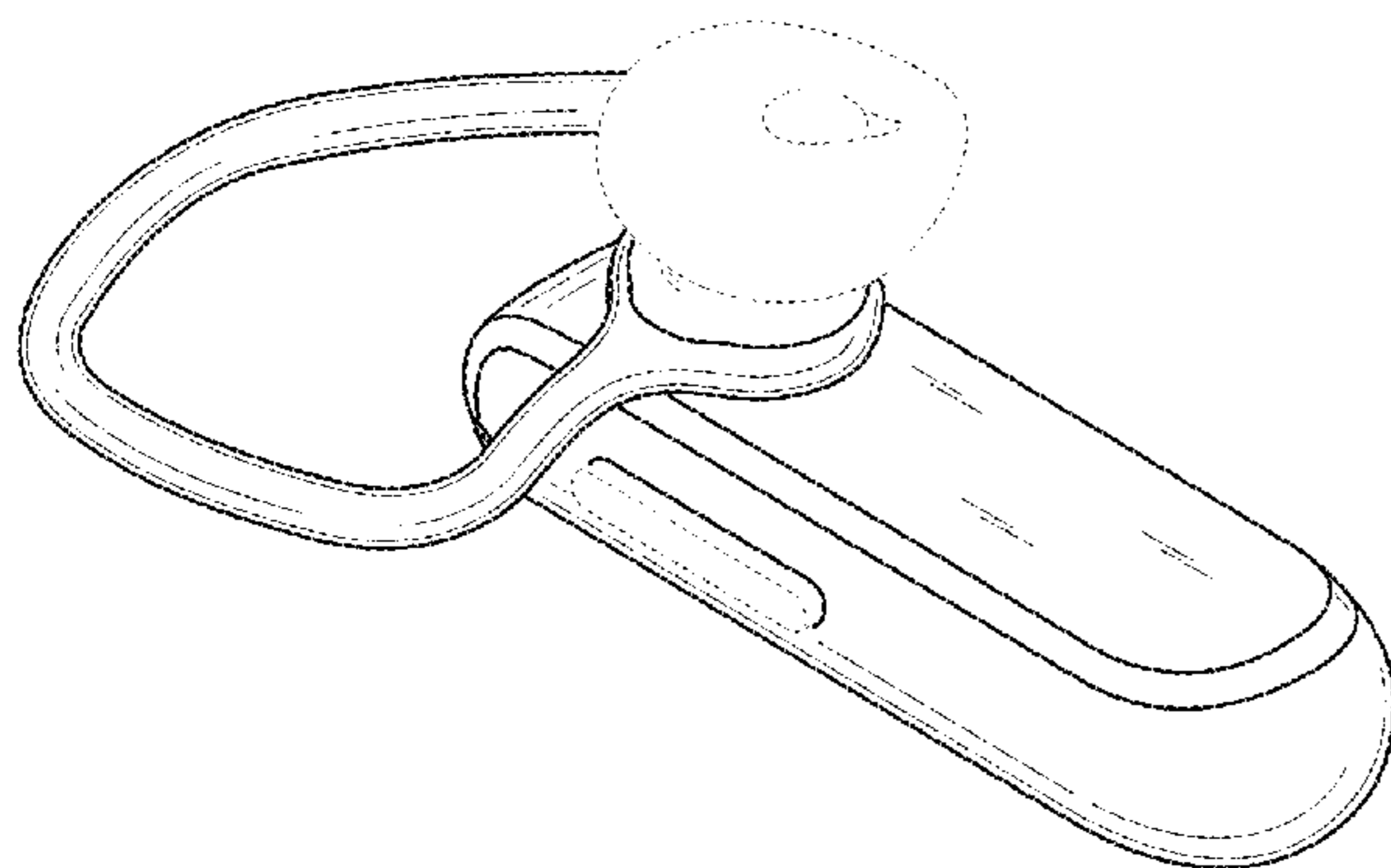
CLAIM

The ornamental design for a headset, as shown and described.

DESCRIPTION

FIG. 1 is a perspective view of the headset.
FIG. 2 is a top view thereof.
FIG. 3 is a bottom view thereof.
FIG. 4 is a side view thereof.
FIG. 5 is the other side view thereof.
FIG. 6 is a front view thereof; and,
FIG. 7 is a back view thereof.
The features shown in broken lines depict environmental subject matter only and form no part of the claimed design.

1 Claim, 5 Drawing Sheets



(56)

References Cited

U.S. PATENT DOCUMENTS

D585,430 S 1/2009 Kim et al.
D588,113 S 3/2009 Bradford
D590,377 S * 4/2009 Bradford D14/223
D590,378 S 4/2009 Bradford
D590,813 S * 4/2009 Bradford D14/205
7,609,845 B2 10/2009 Chang
D603,378 S * 11/2009 Paradise D14/223
D604,722 S * 11/2009 Mistry D14/223
7,664,287 B2 2/2010 Neu et al.
D620,927 S * 8/2010 Li D14/223
7,778,410 B2 8/2010 Liu et al.
D629,396 S * 12/2010 Andre D14/223
D636,381 S 4/2011 Liner
7,925,037 B2 4/2011 Te Riet
D640,242 S * 6/2011 Fahrendorff D14/223
D641,739 S * 7/2011 Huang D14/223
D643,420 S 8/2011 Huang
D649,957 S * 12/2011 Fahrendorff D14/223
8,098,874 B2 1/2012 Lu
D656,490 S 3/2012 Birger
8,139,808 B2 3/2012 Liu et al.
D657,781 S 4/2012 Yang
D664,950 S 8/2012 Rye et al.
8,285,208 B2 * 10/2012 Terlizzi H04M 1/05
379/428.02

D671,096 S 11/2012 Song et al.
D675,600 S 2/2013 Koch
D691,120 S 10/2013 Koch
D693,796 S 11/2013 Birger
D705,751 S 5/2014 Wenger
D707,659 S 6/2014 Henning
D710,830 S 8/2014 Birger
D746,267 S * 12/2015 Birger D14/223

* cited by examiner

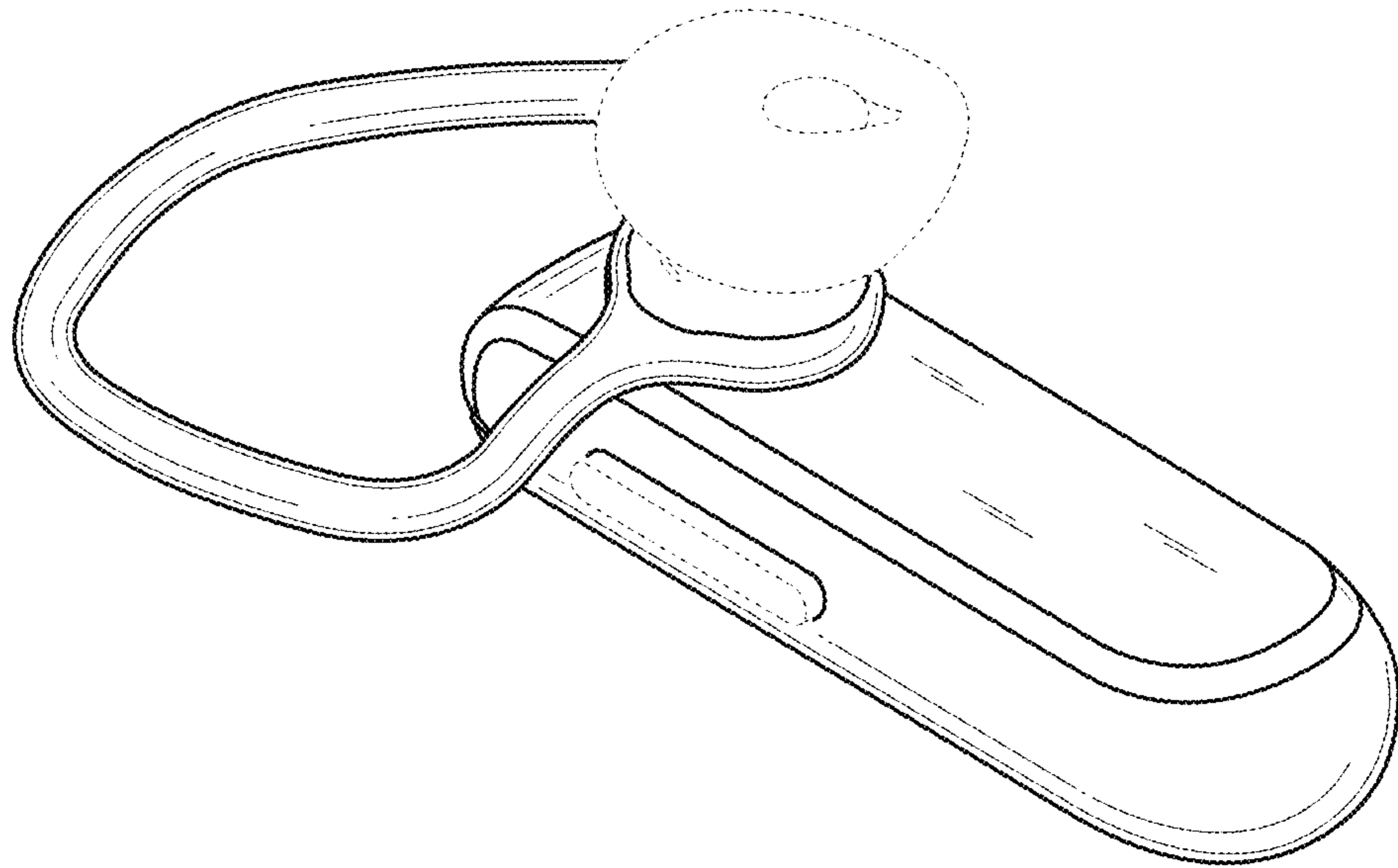


Fig. 1

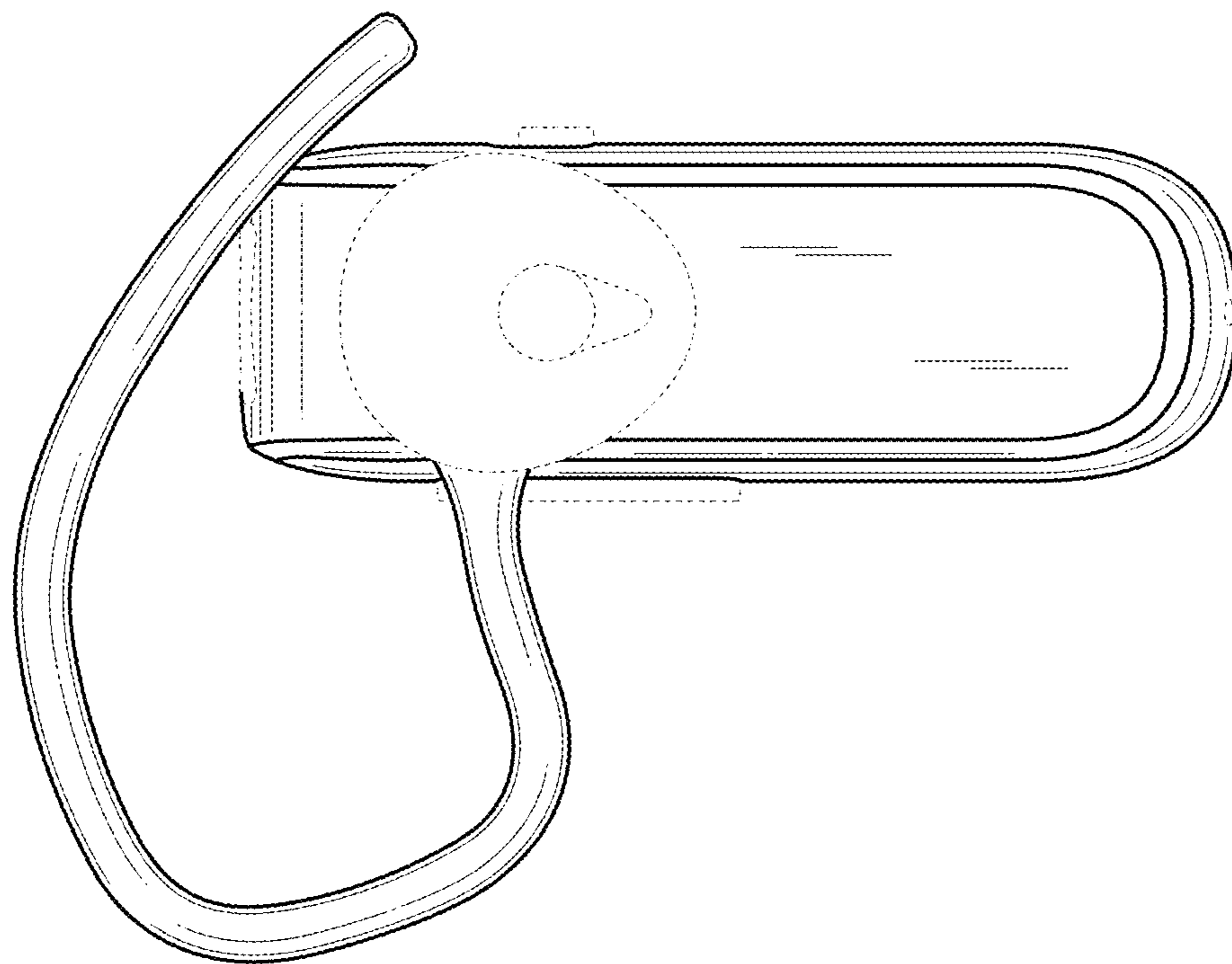


Fig. 2

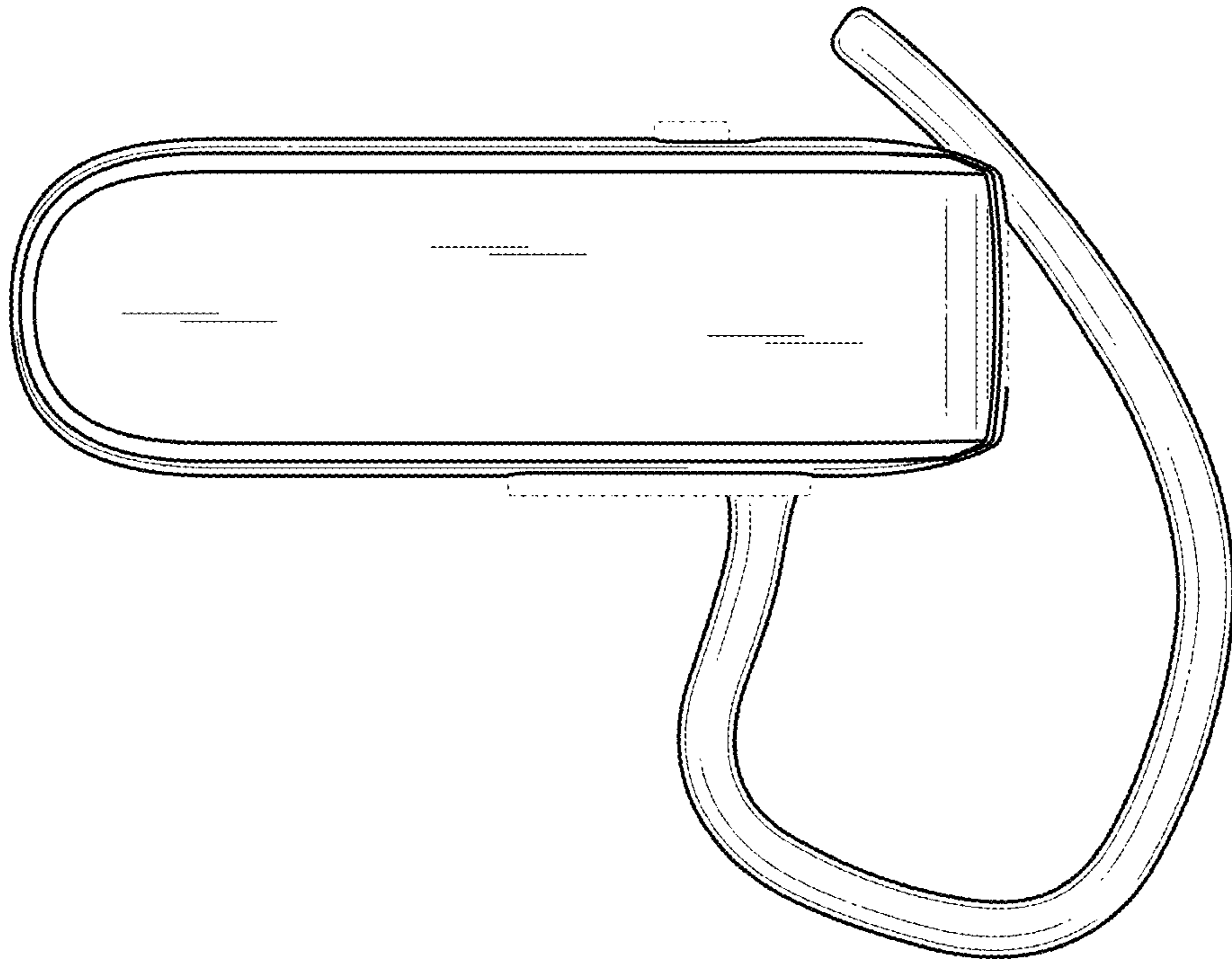


Fig. 3

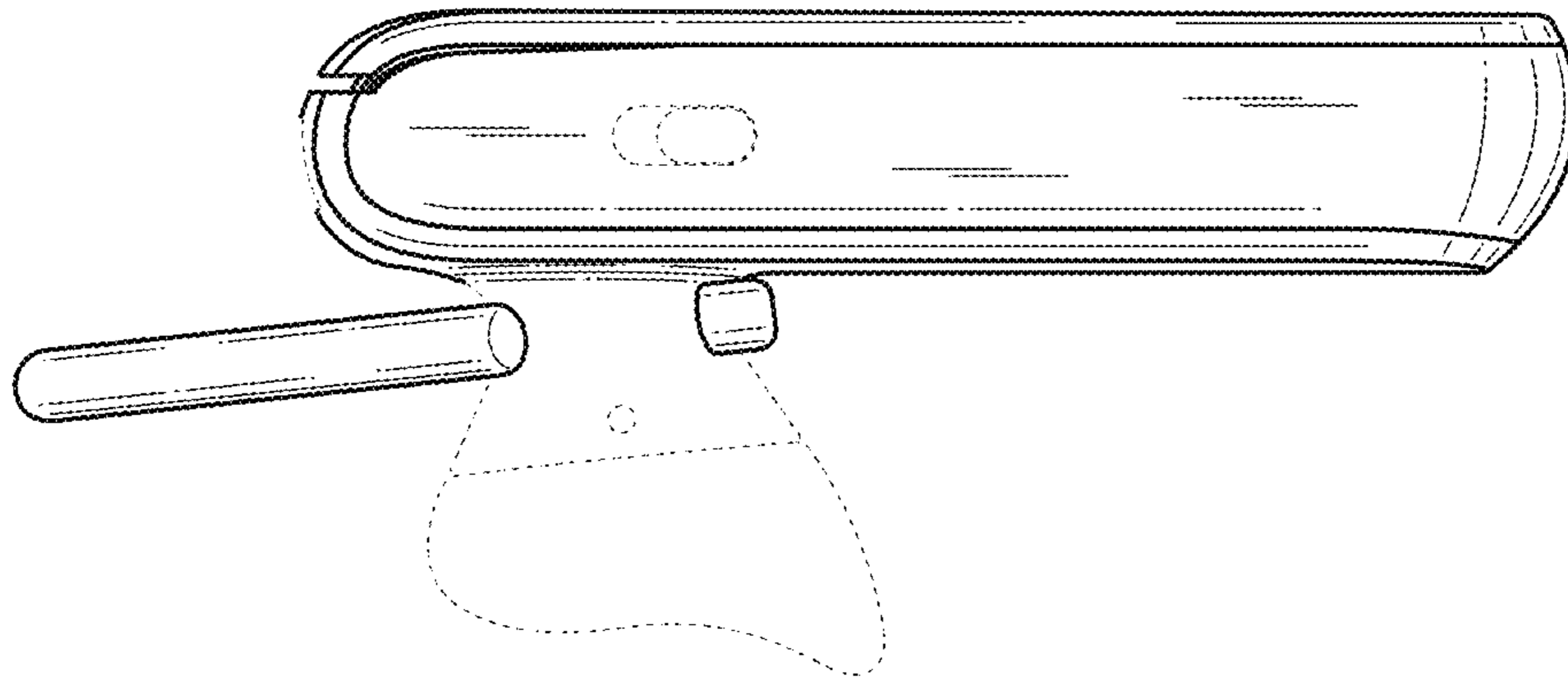


Fig. 4

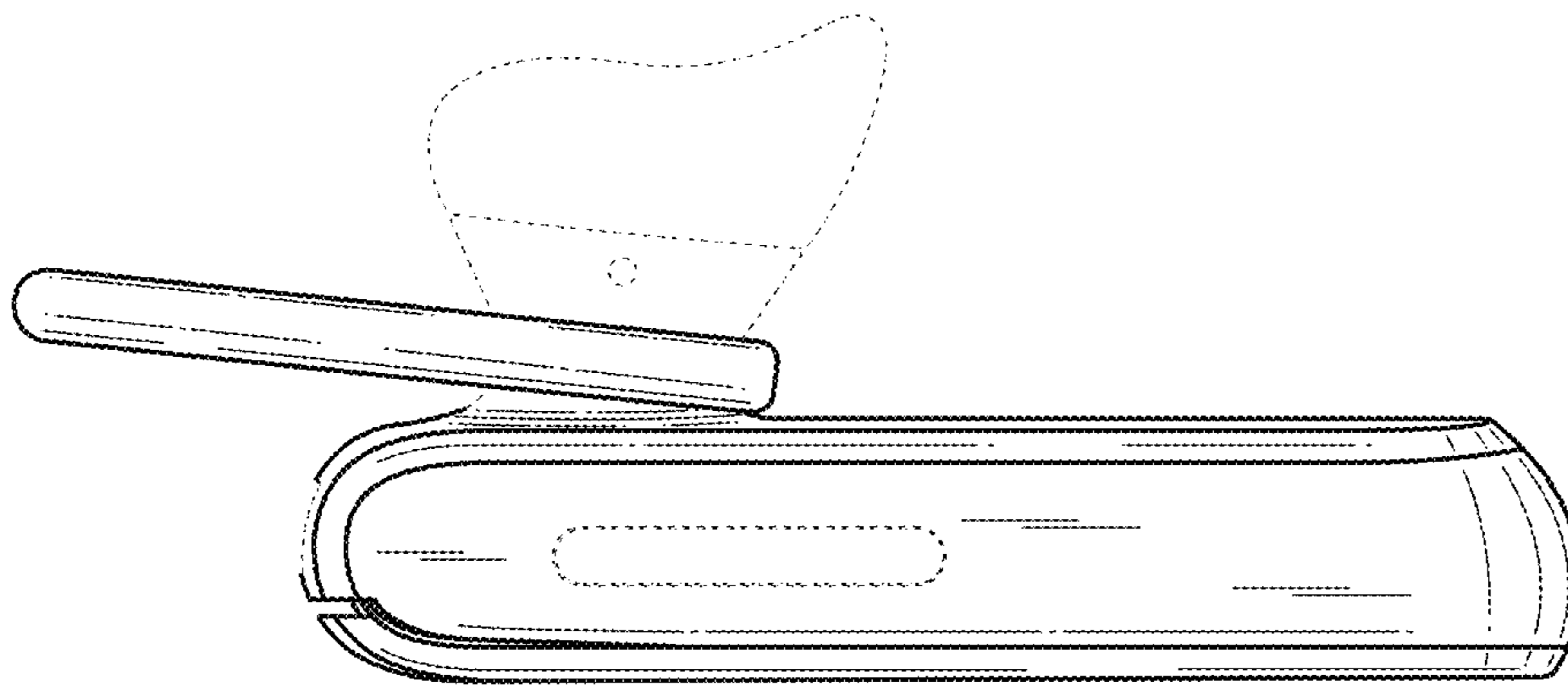


Fig. 5

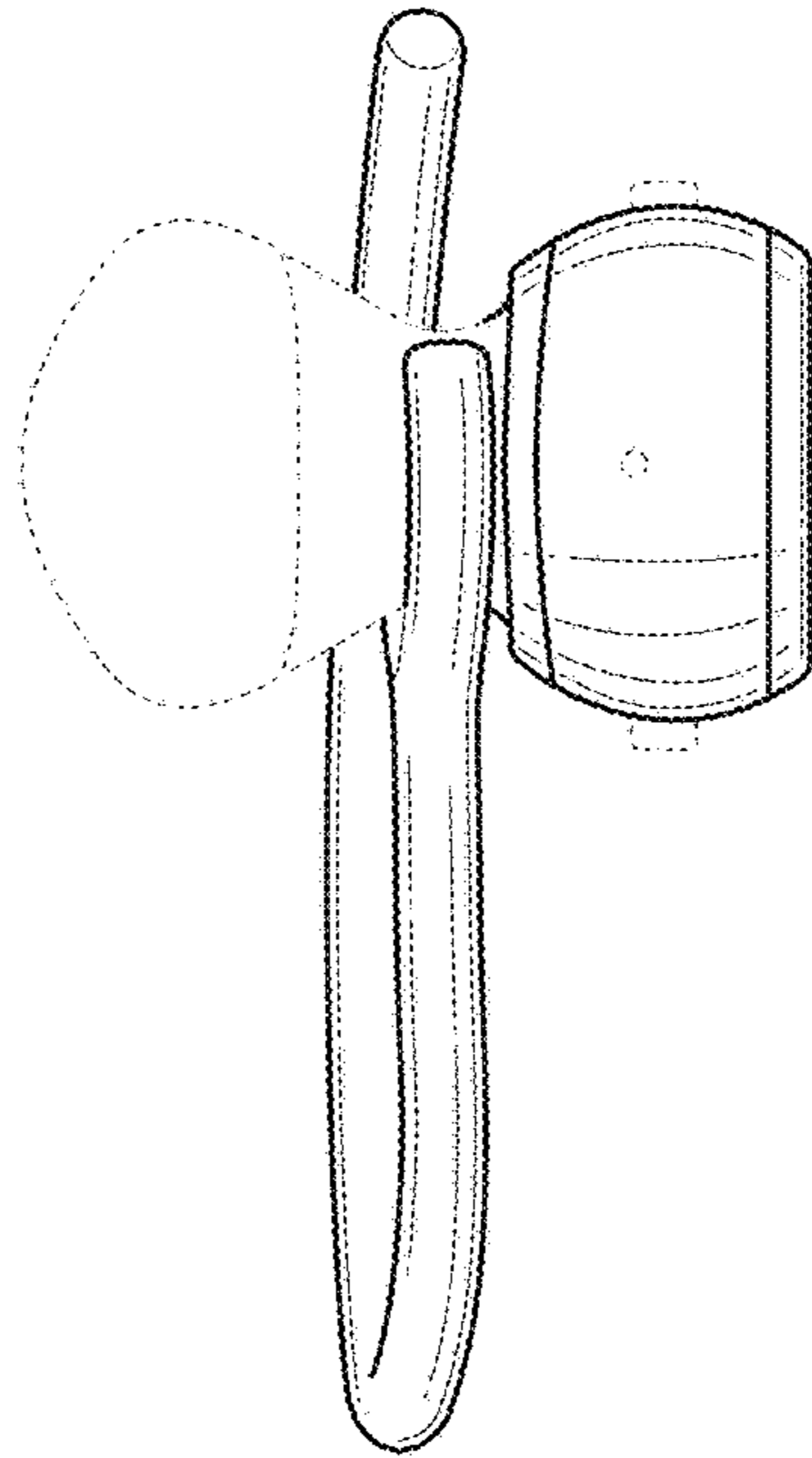


Fig. 6

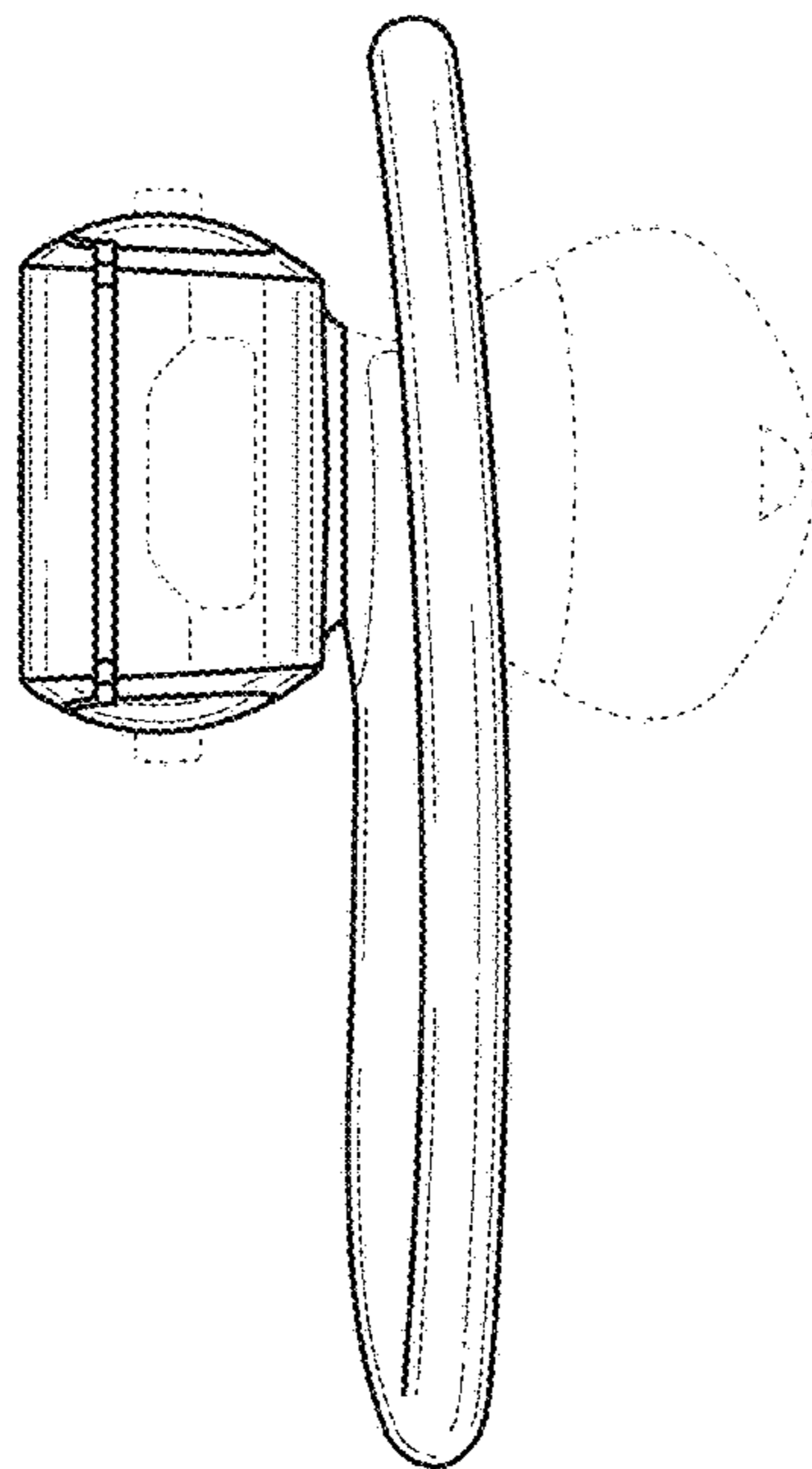


Fig. 7