



US00D779461S

(12) **United States Design Patent**
Smith et al.

(10) **Patent No.:** **US D779,461 S**

(45) **Date of Patent:** **** Feb. 21, 2017**

(54) **EARPIECE**

(71) Applicant: **SureFire, LLC**, Fountain Valley, CA
(US)

(72) Inventors: **Richard C. Smith**, Costa Mesa, CA
(US); **Diann Y. Smith**, Costa Mesa, CA
(US); **Alfredo Soria**, Corona, CA (US)

(73) Assignee: **SureFire, LLC**, Fountain Valley, CA
(US)

(**) Term: **15 Years**

(21) Appl. No.: **29/541,896**

(22) Filed: **Oct. 8, 2015**

(51) **LOC (10) Cl.** **14-01**

(52) **U.S. Cl.**

USPC **D14/223**

(58) **Field of Classification Search**

USPC D14/223, 205; 181/129, 130, 135; 379/430,
379/431; 381/380, 381, 322, 327, 325,
381/328, 329, 314, 371, 384; 455/90.3,
455/575.1, 575.2

CPC H04R 25/00; H04R 25/02; H04R 1/1016
See application file for complete search history.

(56) **References Cited**

U.S. PATENT DOCUMENTS

1,614,987 A * 1/1927 Langenbeck H04R 25/65
181/135
1,893,474 A * 1/1933 Lieber H04R 25/656
381/328
2,325,590 A * 7/1943 Carlisle H04R 11/06
381/322
D141,071 S * 5/1945 Hechler D24/174

2,377,739 A * 6/1945 Wyckoff A61F 11/008
181/132

2,391,924 A * 1/1946 Rutter H04R 17/00
29/594

2,549,629 A * 4/1951 Nelson H04R 25/60
381/313

(Continued)

Primary Examiner — Paula Greene

(74) *Attorney, Agent, or Firm* — Haynes and Boone, LLP

(57) **CLAIM**

The ornamental design for an earpiece, as shown and described.

DESCRIPTION

FIG. 1 is a front right perspective view of an earpiece showing our new design;

FIG. 2 is a rear left perspective view thereof;

FIG. 3 is a left side elevational view thereof;

FIG. 4 is a right side elevational view thereof;

FIG. 5 is a front side elevational view thereof;

FIG. 6 is a rear side elevational view thereof;

FIG. 7 is a top plan view thereof;

FIG. 8 is a bottom plan view thereof;

FIG. 9 is a cross-sectional view thereof taken at line 9-9 of FIG. 3; and

FIG. 10 is a cross-sectional view thereof taken at line 10-10 of FIG. 4.

FIG. 11 is a front right perspective view of an example audio device;

FIG. 12 is a front left perspective view thereof;

FIG. 13 is a rear right perspective view thereof; and

FIG. 14 is a rear left perspective view thereof.

FIG. 15 is a front right perspective view of the earpiece with the example audio device attached thereto;

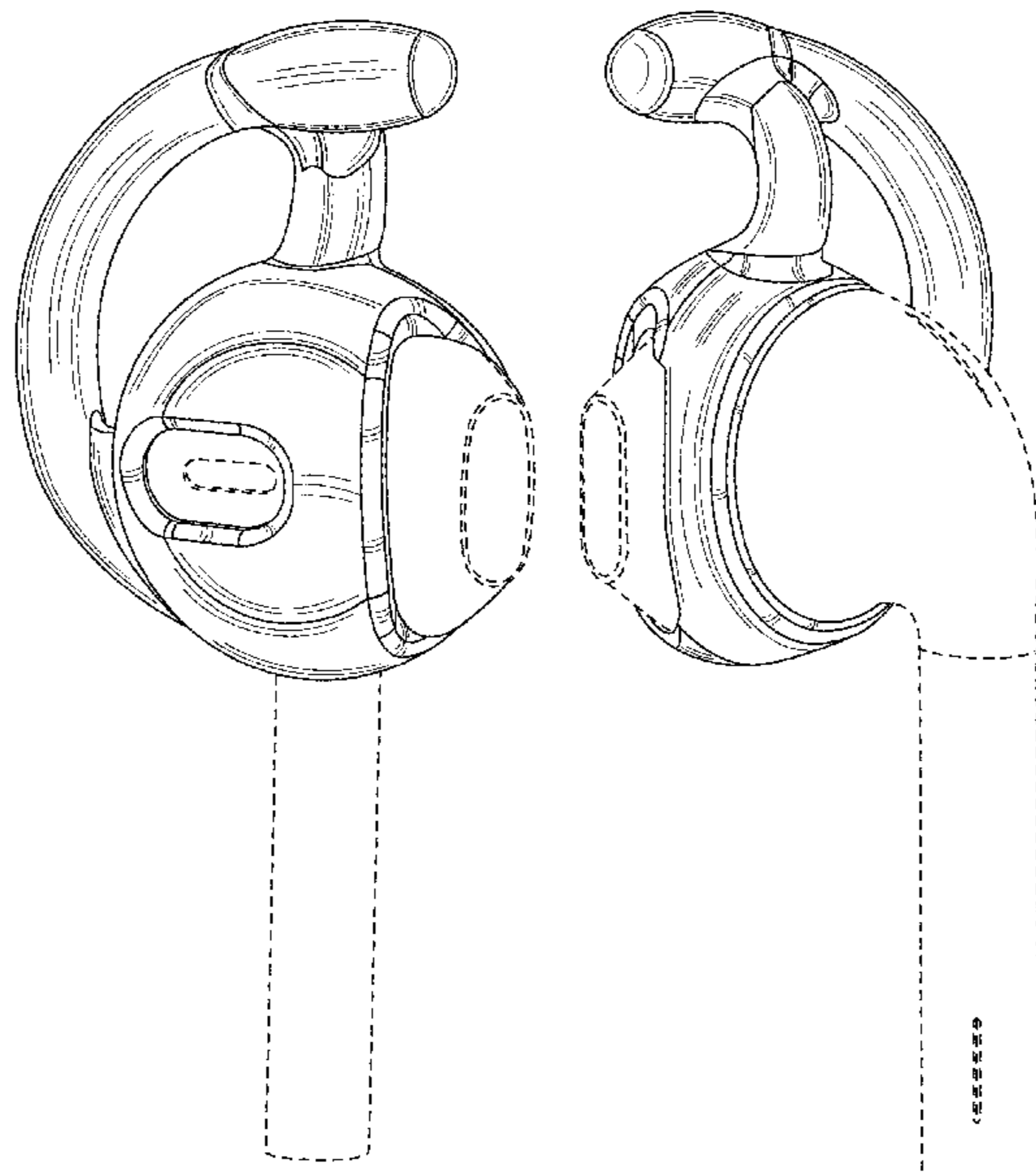
FIG. 16 is a front left perspective view thereof;

FIG. 17 is a rear right perspective view thereof; and,

FIG. 18 is a rear left perspective view thereof.

The broken lines in the drawings illustrate environmental features and form no part of the claimed design.

1 Claim, 18 Drawing Sheets



(56)

References Cited

U.S. PATENT DOCUMENTS

2,787,670	A *	4/1957	Rowland	H04R 25/652	381/322					
2,804,932	A *	9/1957	Bedard	H04R 25/652	181/132					
2,959,645	A *	11/1960	Ladd	H04R 25/652	220/4.21					
3,368,644	A *	2/1968	Henderson	G02C 11/06	181/129					
4,069,400	A *	1/1978	Johanson	H04R 25/60	381/322					
4,311,206	A *	1/1982	Johnson	H04R 25/48	181/135					
4,349,083	A *	9/1982	Bennett	H04R 25/48	181/130					
D266,590	S *	10/1982	Bennett	D24/174						
5,146,051	A *	9/1992	Hermann	H04R 25/652	181/130					
5,345,509	A *	9/1994	Hofer	H04R 25/652	381/151					
5,659,156	A *	8/1997	Mauney	H04R 1/1016	181/130					
D388,093	S *	12/1997	Frengley	D14/223						
D449,295	S *	10/2001	Smith	D14/142						
D478,991	S *	8/2003	Dyer	D24/174						
6,690,807	B1 *	2/2004	Meyer	G02C 5/143	2/12					
6,879,697	B2 *	4/2005	Tøpholm	H04R 25/658	181/135					
D523,845	S *	6/2006	Smith	D14/205						
D532,110	S *	11/2006	Bailey	D24/174						
7,139,404	B2 *	11/2006	Feeley	H04R 25/608	381/322					
D563,945	S *	3/2008	Johns	D14/205						
D601,134	S *	9/2009	Elabidi	D14/223						
D618,219	S *	6/2010	Burgett	D14/223						
D622,265	S *	8/2010	Rye	D14/223						
D622,704	S *	8/2010	Fahrendorff	D14/223						
7,778,435	B2 *	8/2010	Smith	H04R 1/10	181/135					
D630,621	S *	1/2011	Pedersen	D14/223						
D640,670	S *	6/2011	Rye	D14/223						
D641,008	S *	7/2011	Lee	D14/223						
D655,693	S *	3/2012	Silvestri	D14/223						
D664,124	S	7/2012	Smith et al.								
8,311,253	B2 *	11/2012	Silvestri	H04R 1/1075	181/129					
D687,021	S *	7/2013	Yuen	D14/223						
D694,220	S *	11/2013	Lee	D14/223						
8,611,969	B2	12/2013	Smith et al.								
8,625,834	B2	1/2014	Smith et al.								
8,666,085	B2 *	3/2014	Donaldson	G10K 11/1788	181/129					
D714,260	S *	9/2014	Han	D14/223						
D716,770	S *	11/2014	Bonahoom	D14/223						
8,879,769	B2 *	11/2014	Smith	H04R 1/10	381/309					
8,897,480	B2 *	11/2014	Tan	H04R 1/105	381/370					
D720,730	S *	1/2015	Smith	D14/242						
D721,354	S *	1/2015	Thompson	D14/223						
8,965,030	B2 *	2/2015	Aase	H04R 1/1016	381/370					
D727,301	S *	4/2015	Smith	D14/205						
D732,008	S *	6/2015	Akana	D14/223						
D735,180	S *	7/2015	Smith	D14/242						
D742,362	S *	11/2015	Bonahoom	D14/205						
D744,456	S *	12/2015	Pedersen	D14/223						
D753,098	S *	4/2016	Smith	D14/242						
D755,158	S *	5/2016	Lee	D14/205						
D759,633	S *	6/2016	Gondo	D14/223						
2005/0147269	A1 *	7/2005	Oliveira	H04R 1/10	381/382					
2014/0119589	A1	5/2014	Wyzisk et al.								
2016/0073186	A1 *	3/2016	Searl	H04R 1/1016	381/380					

* cited by examiner

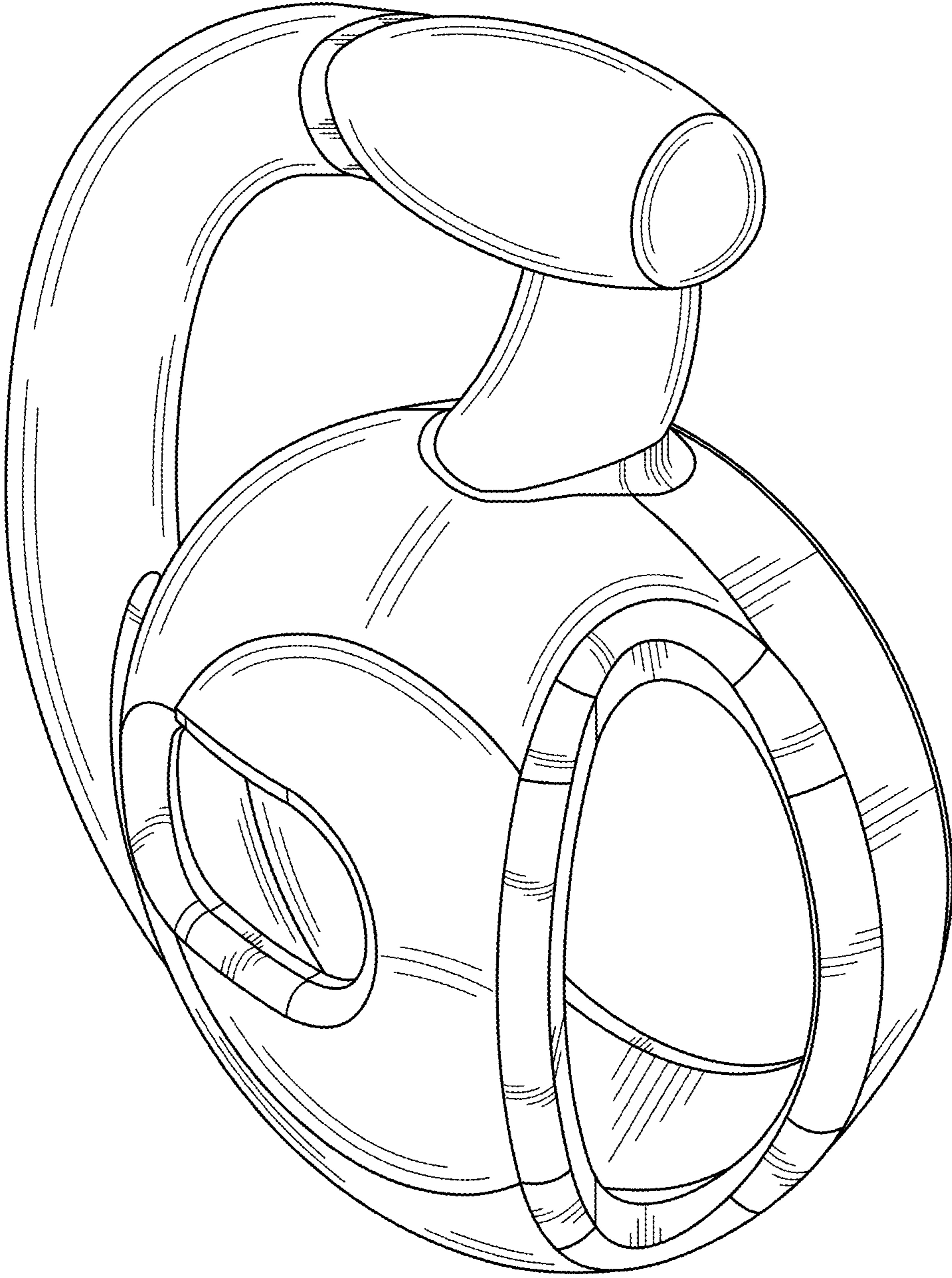


FIG. 1

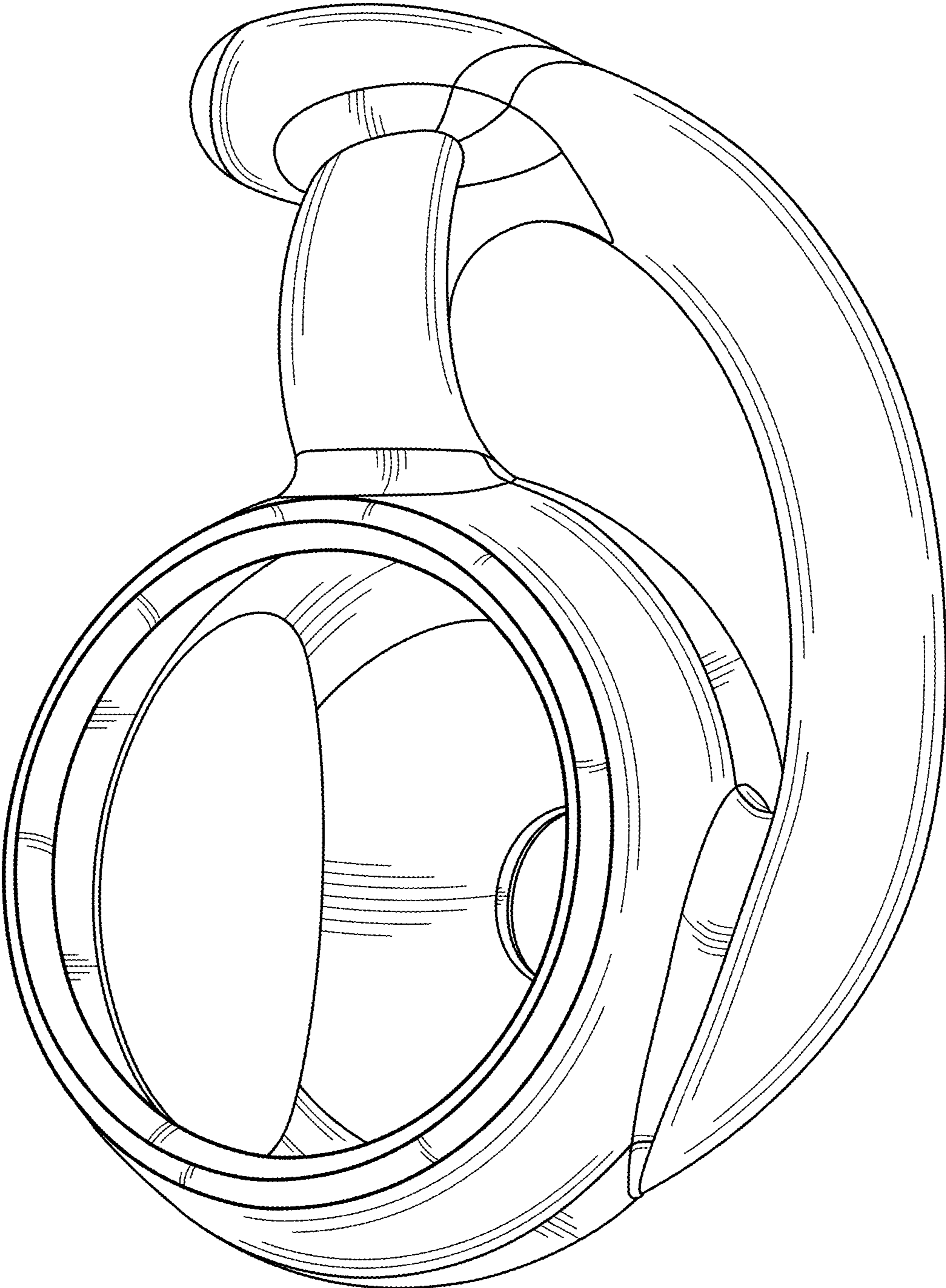
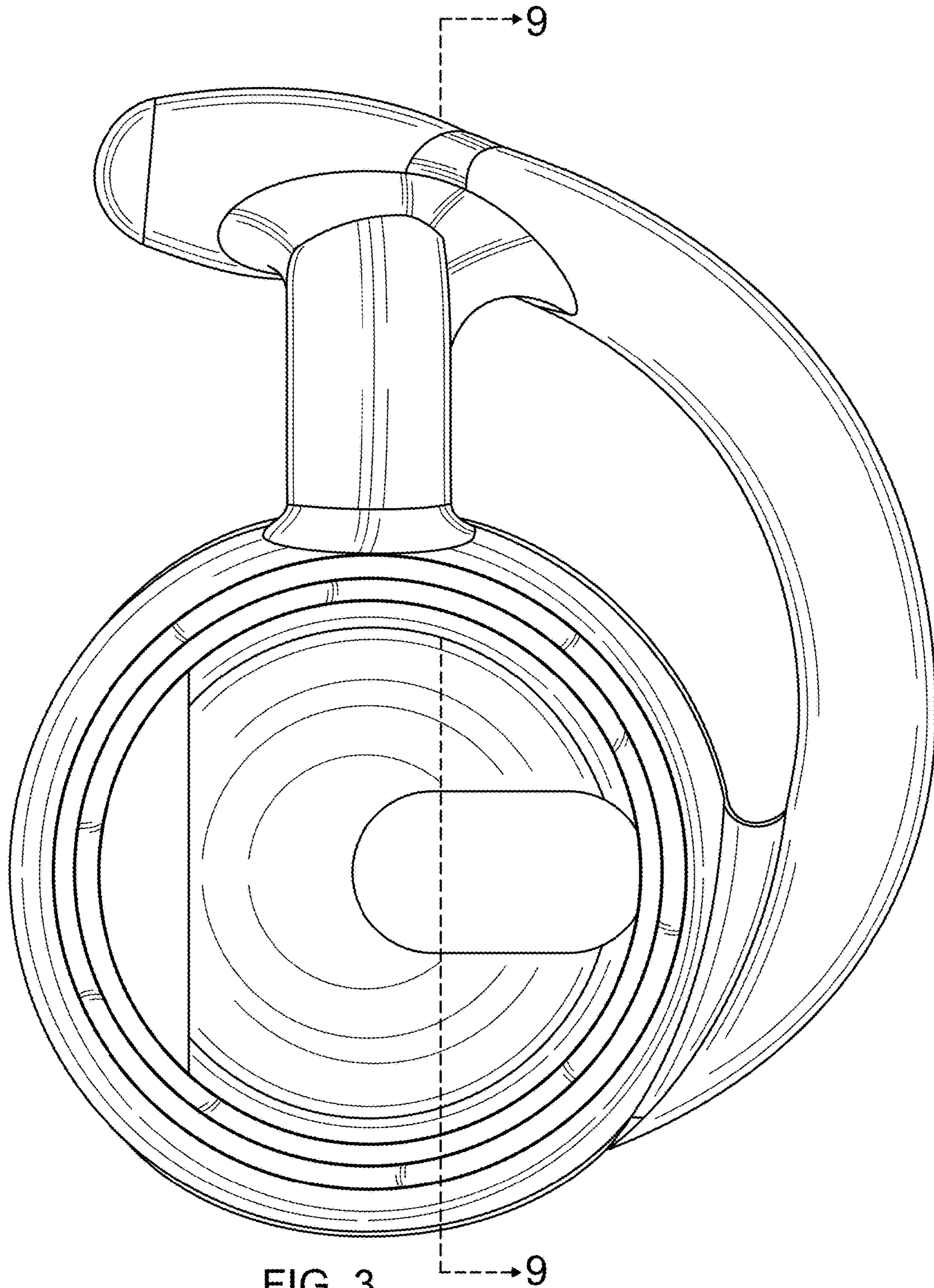


FIG. 2



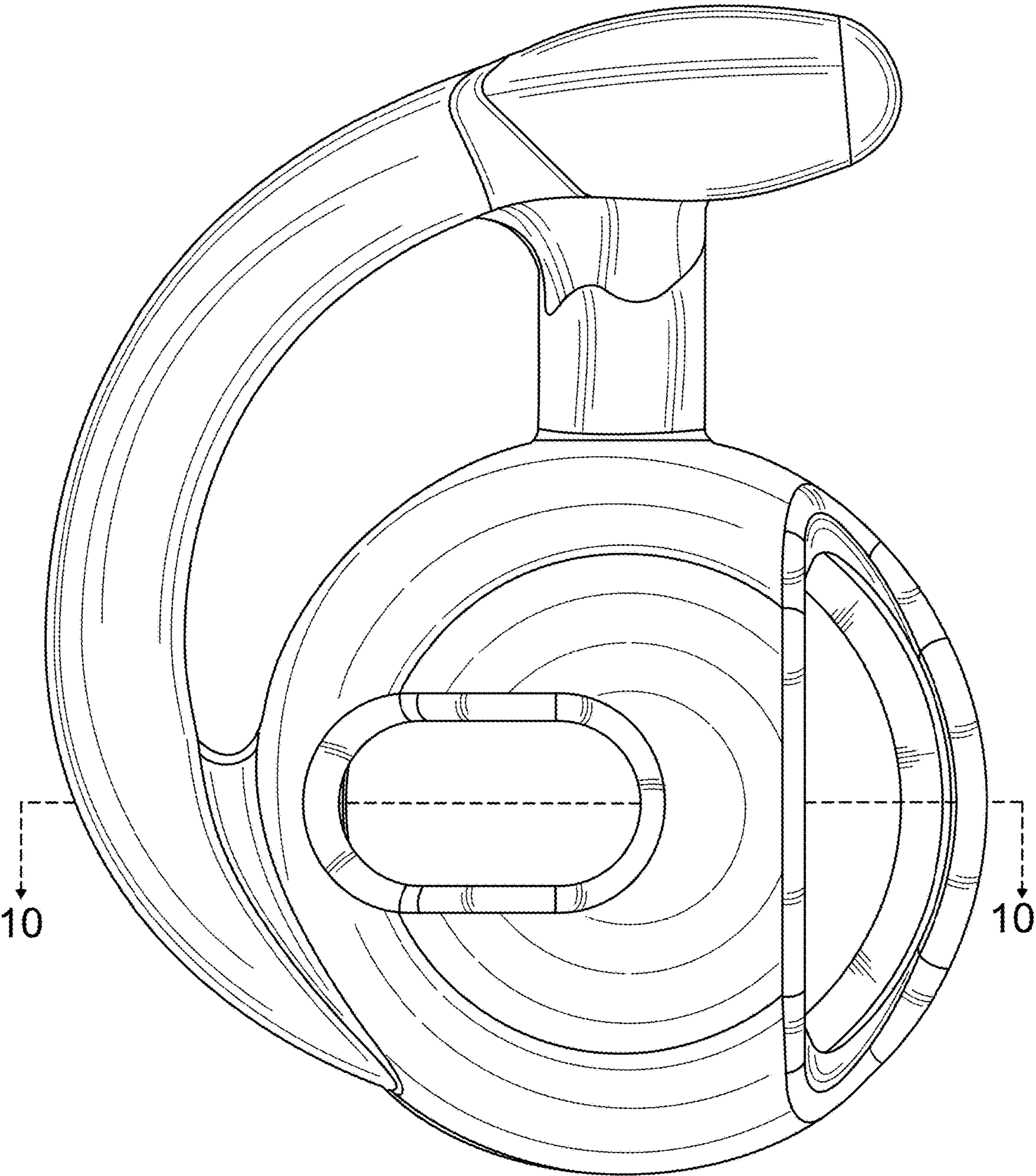


FIG. 4

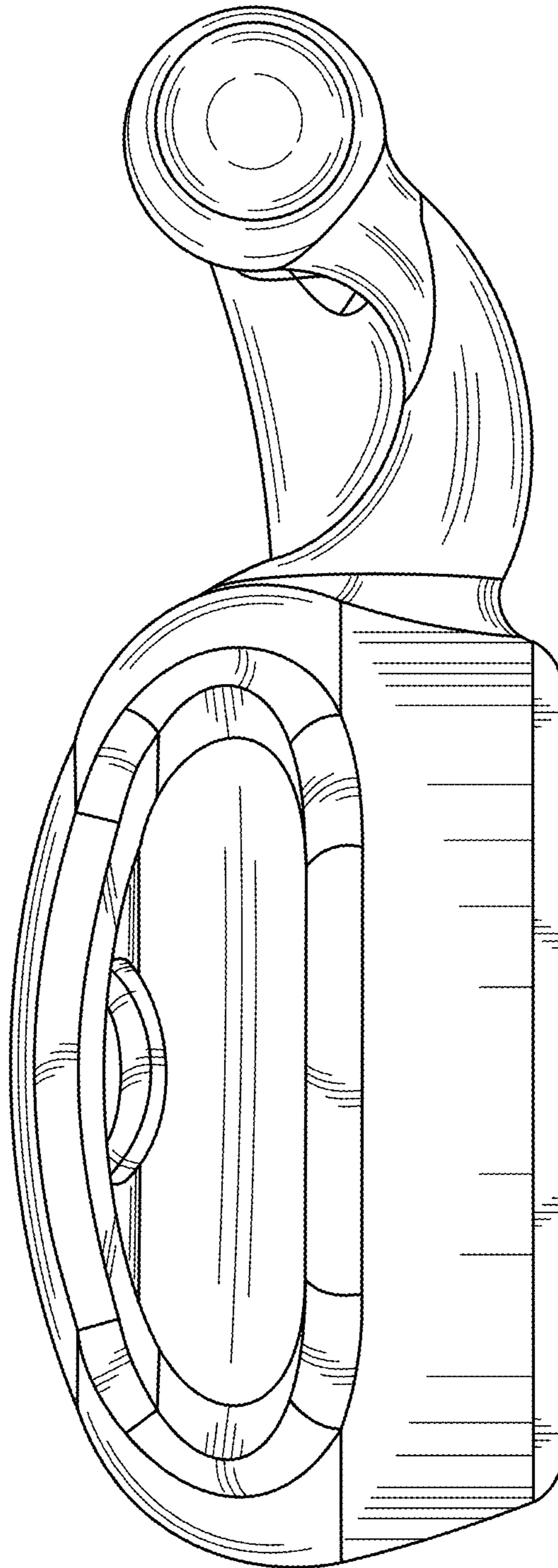


FIG. 5

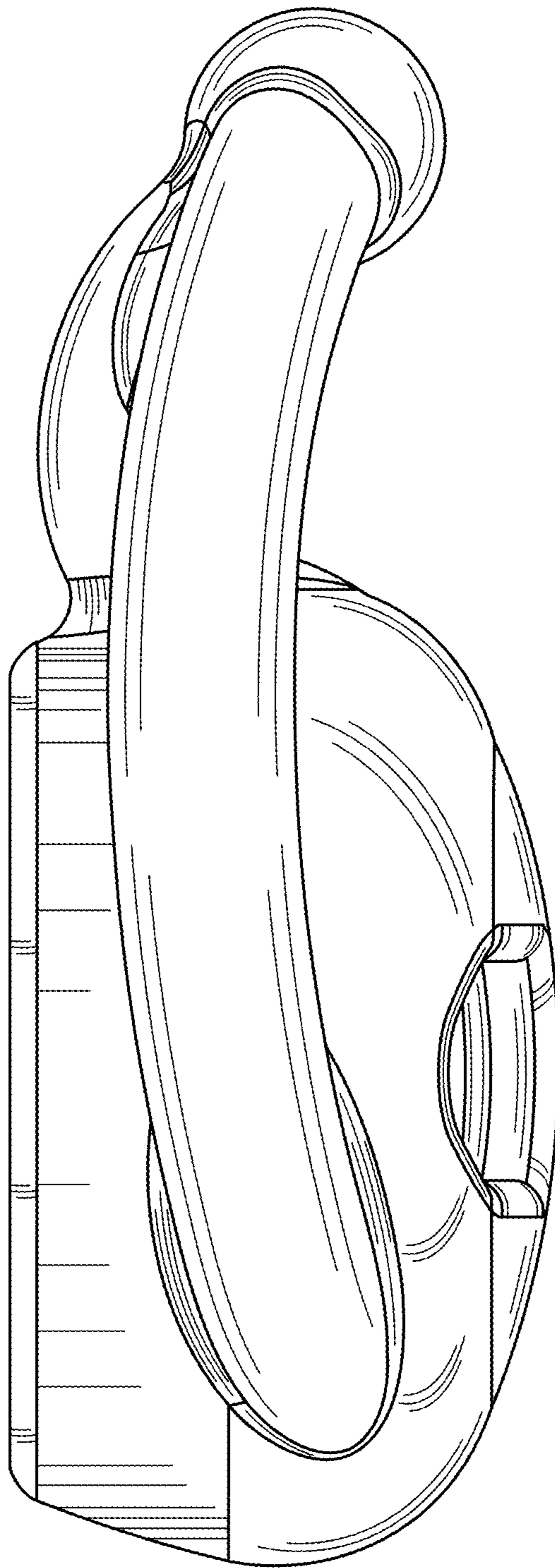


FIG. 6

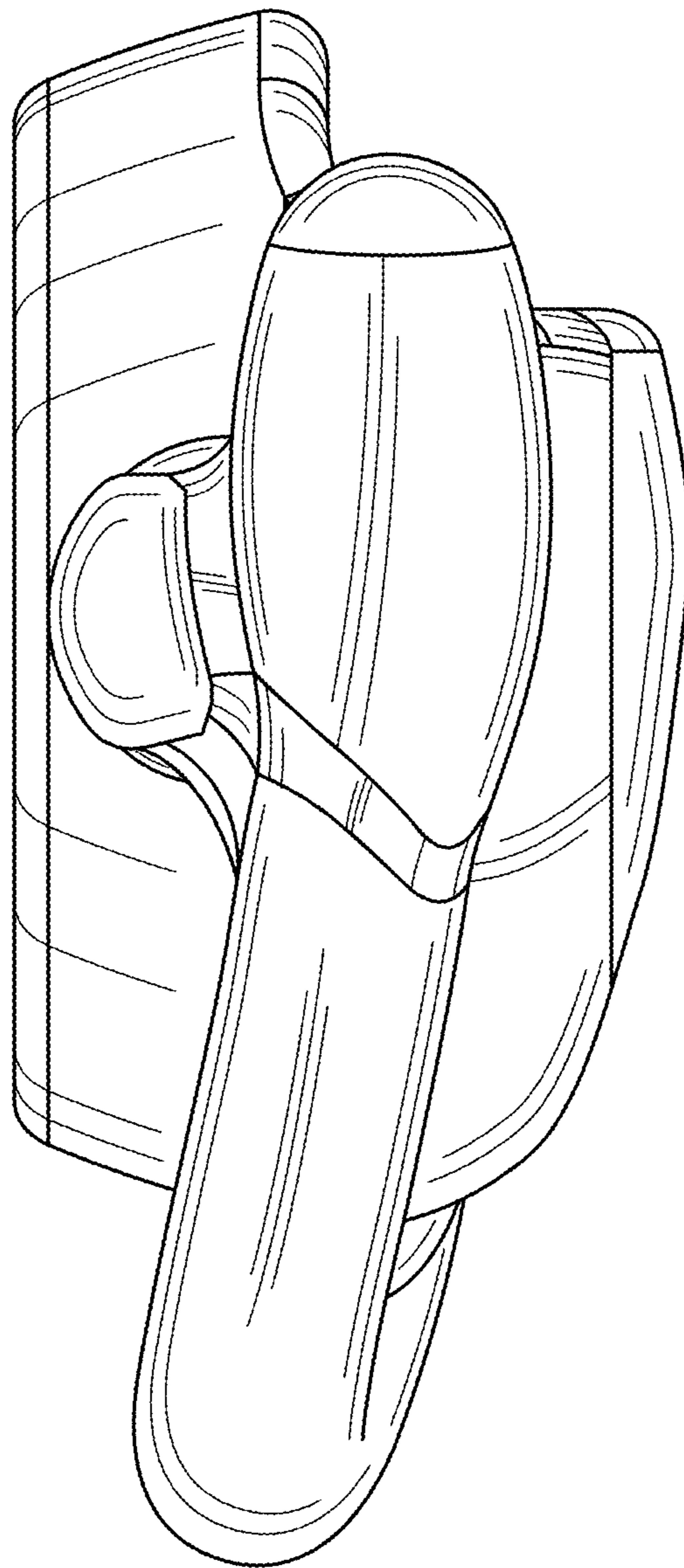


FIG. 7

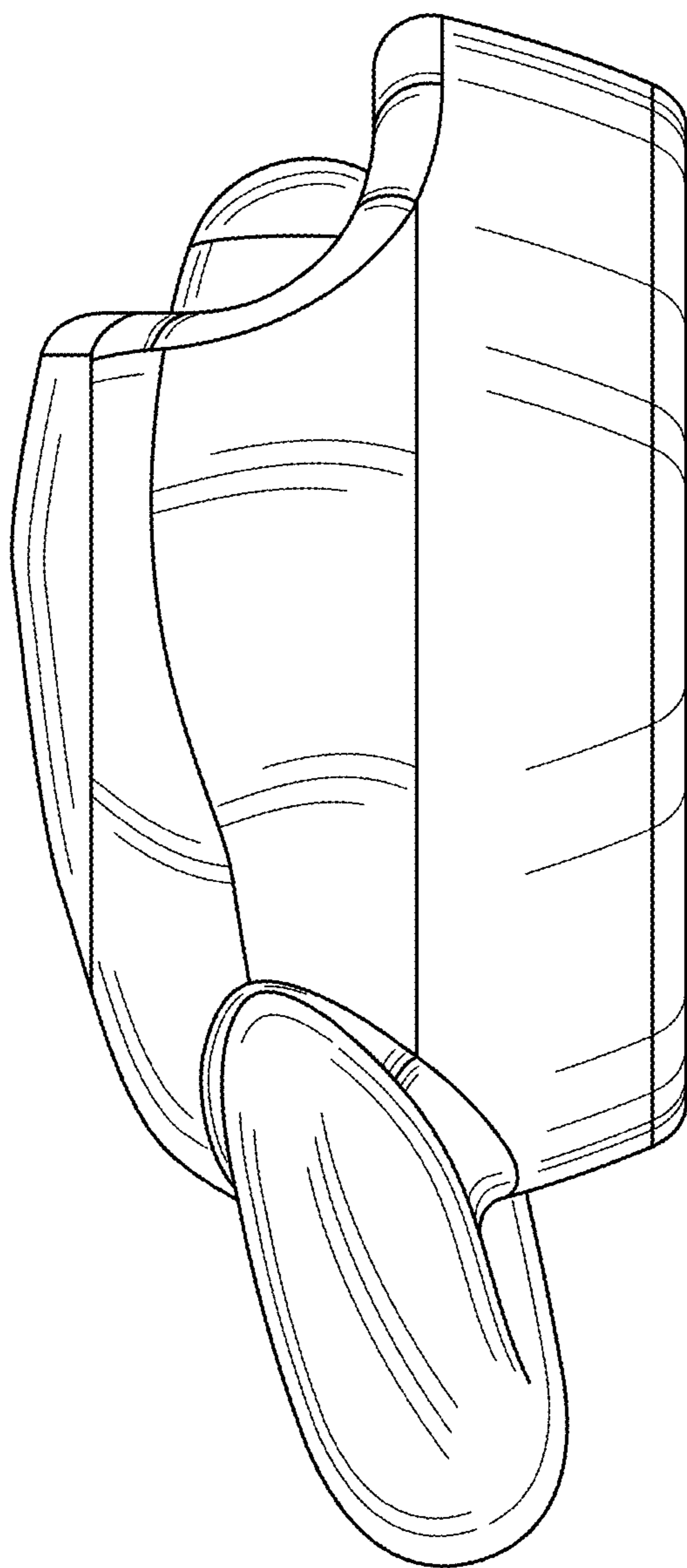


FIG. 8

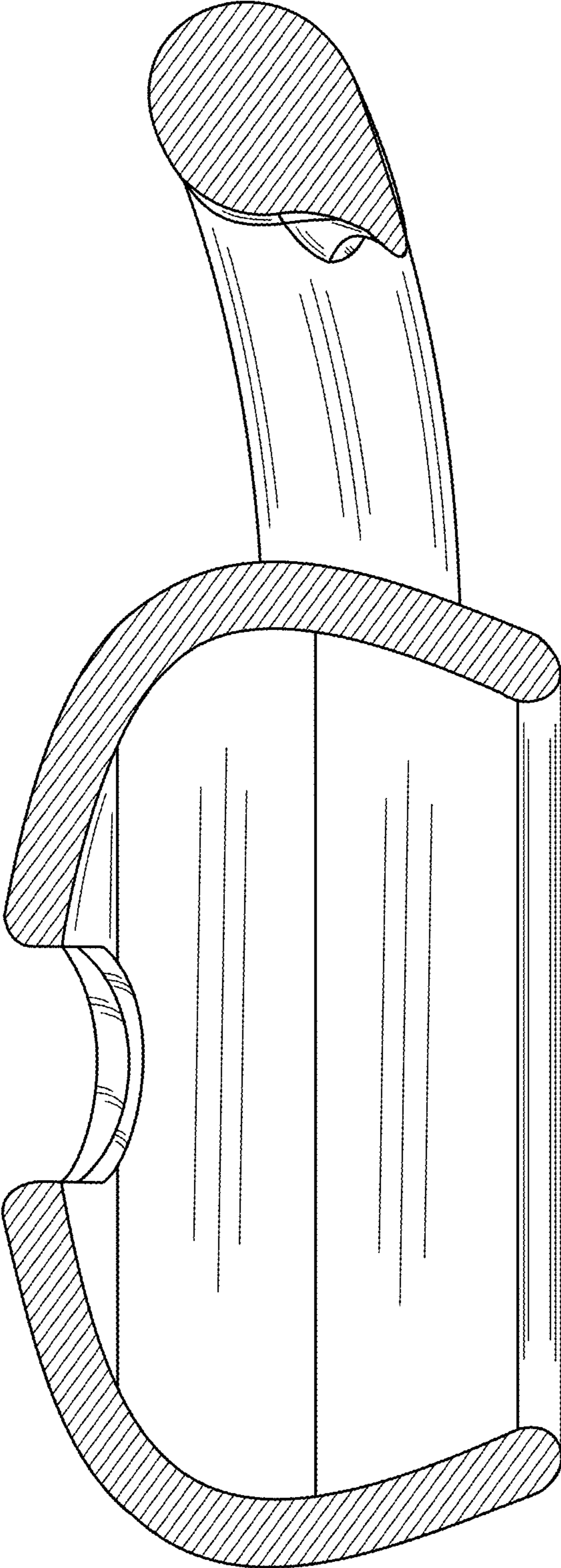


FIG. 9

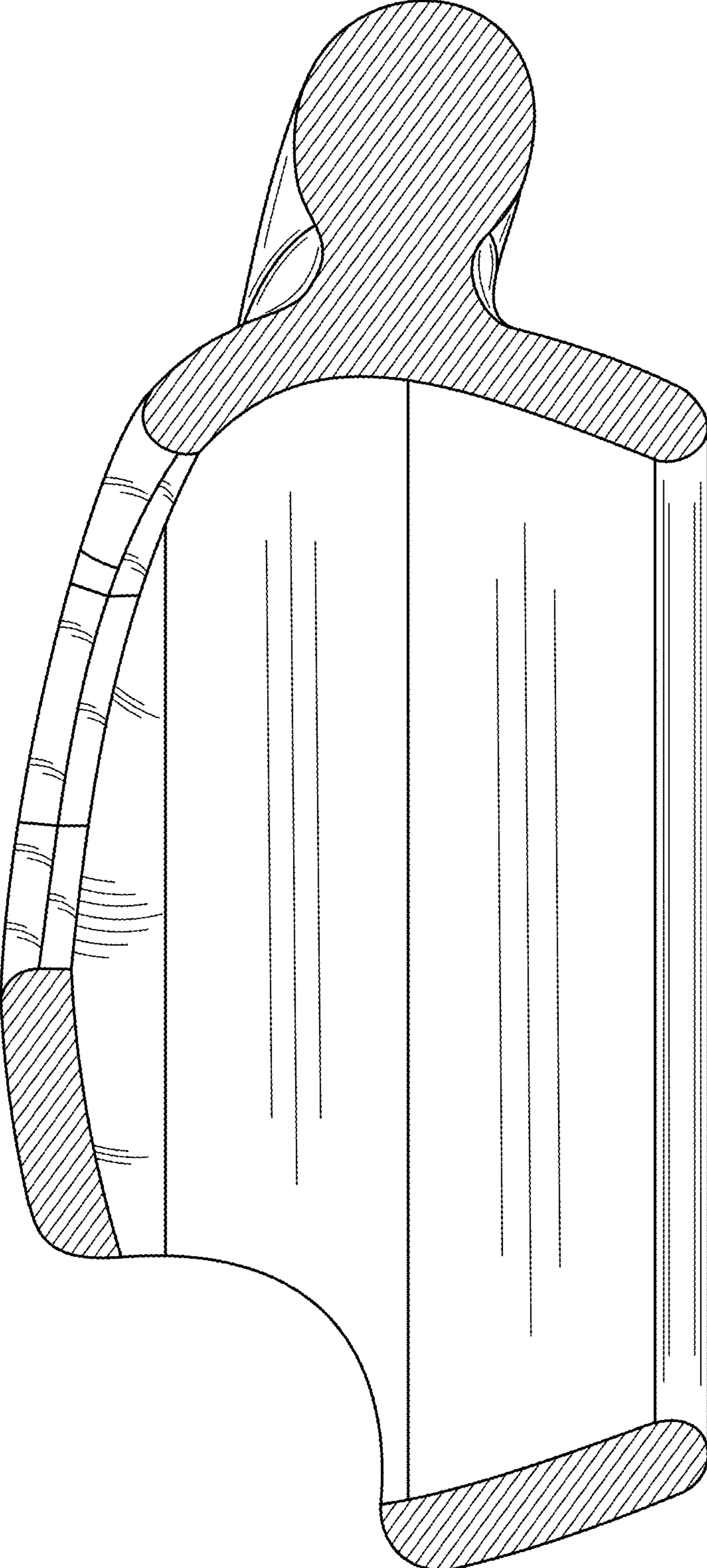


FIG. 10

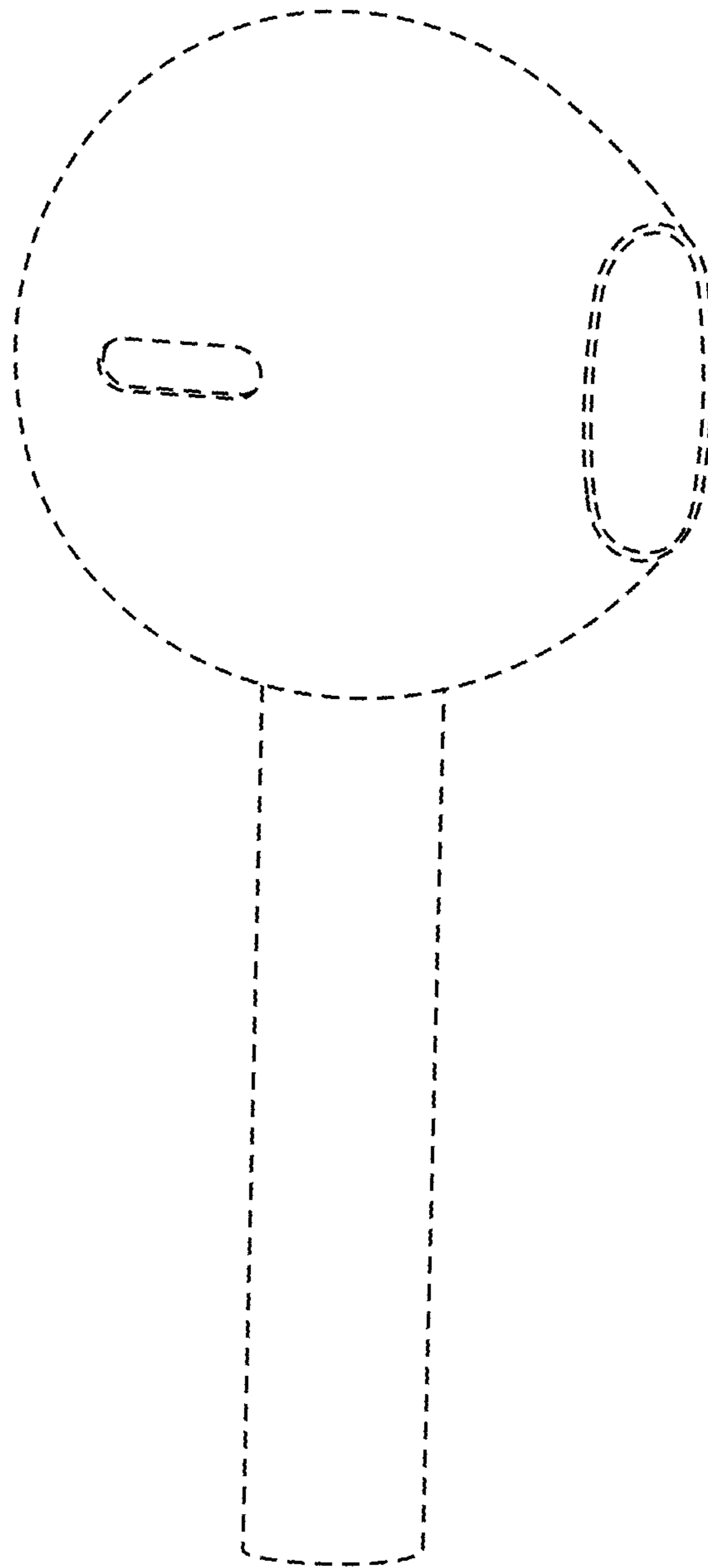


FIG. 11

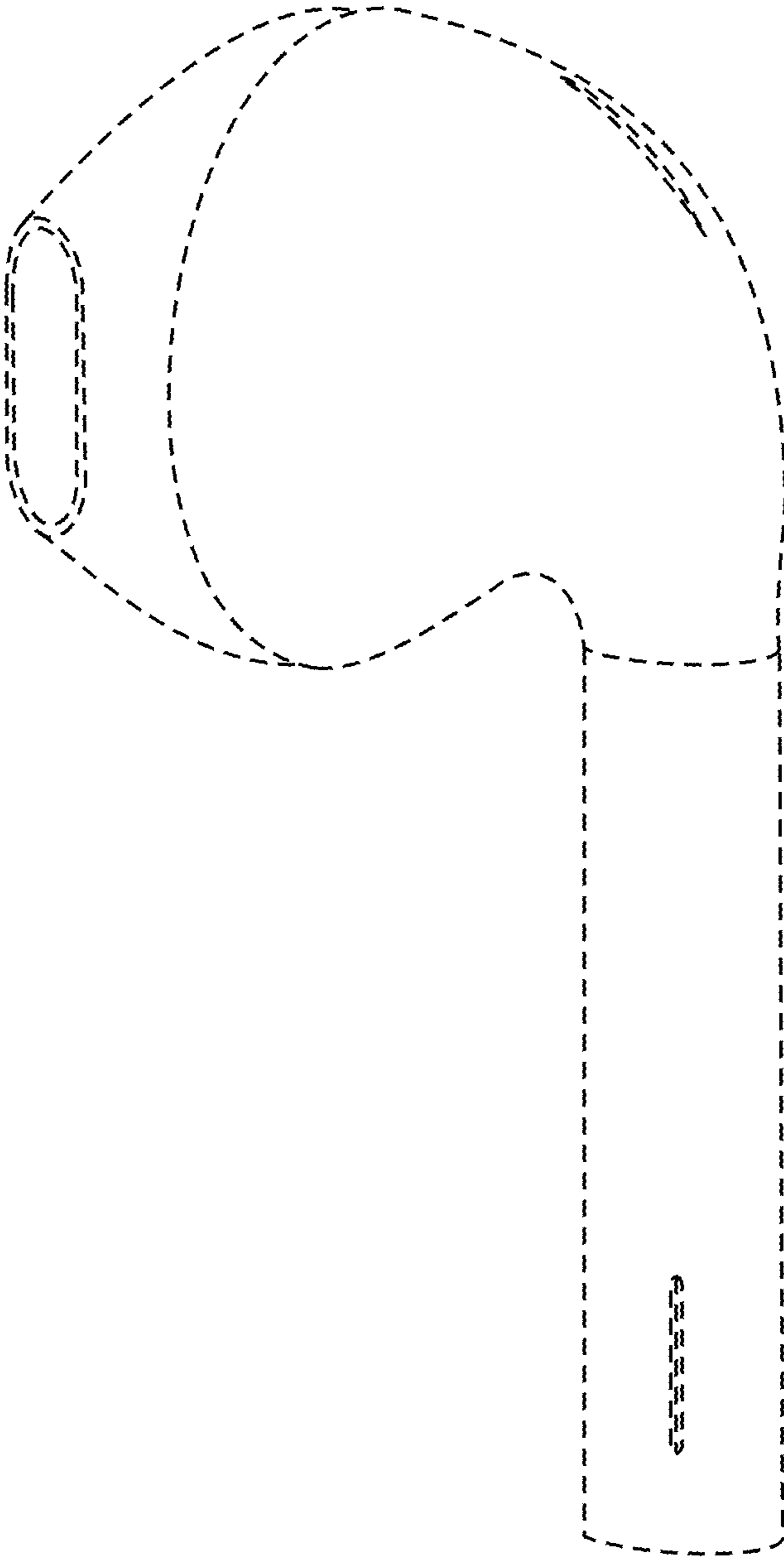


FIG. 12

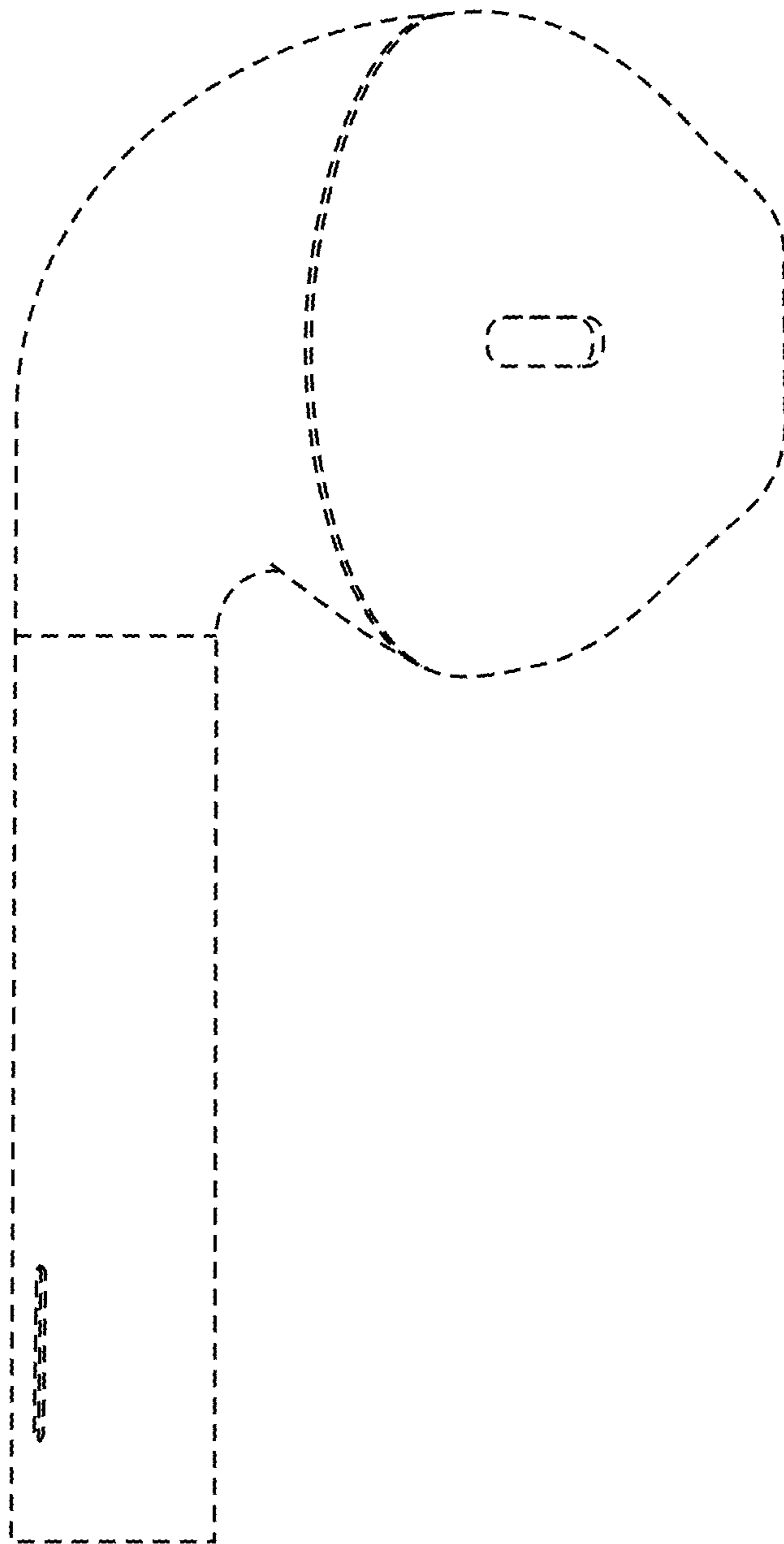


FIG. 13

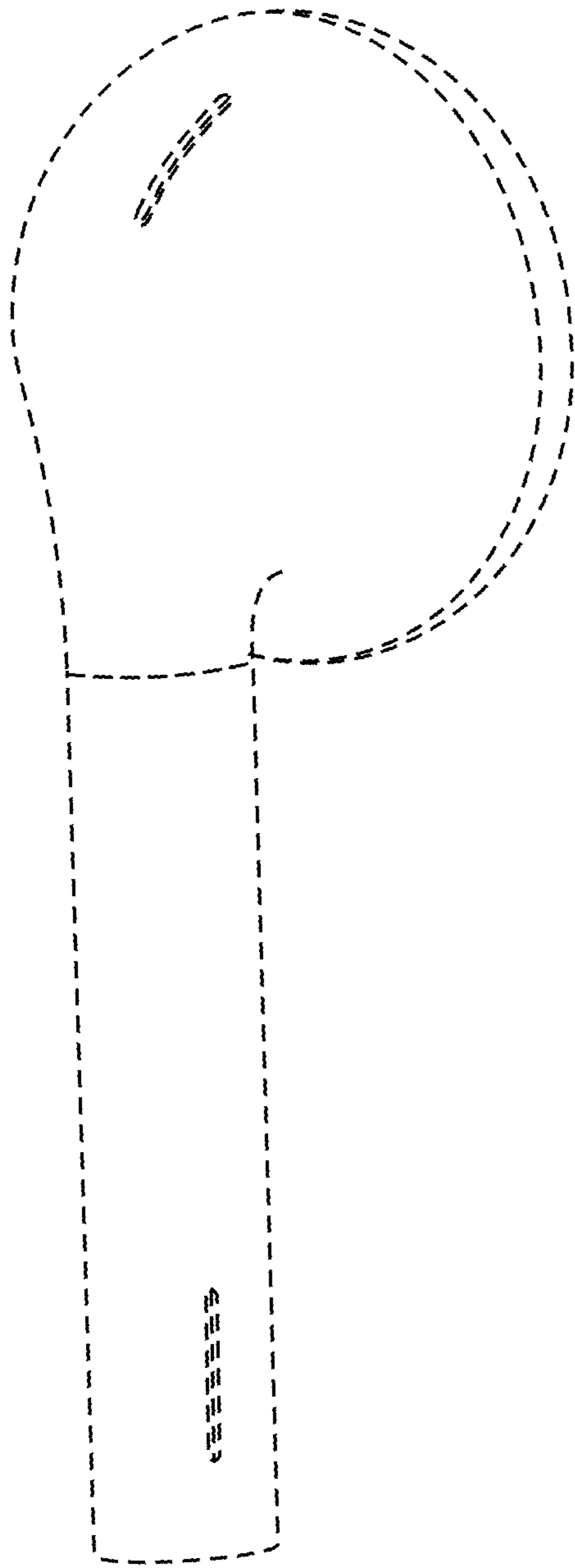


FIG. 14

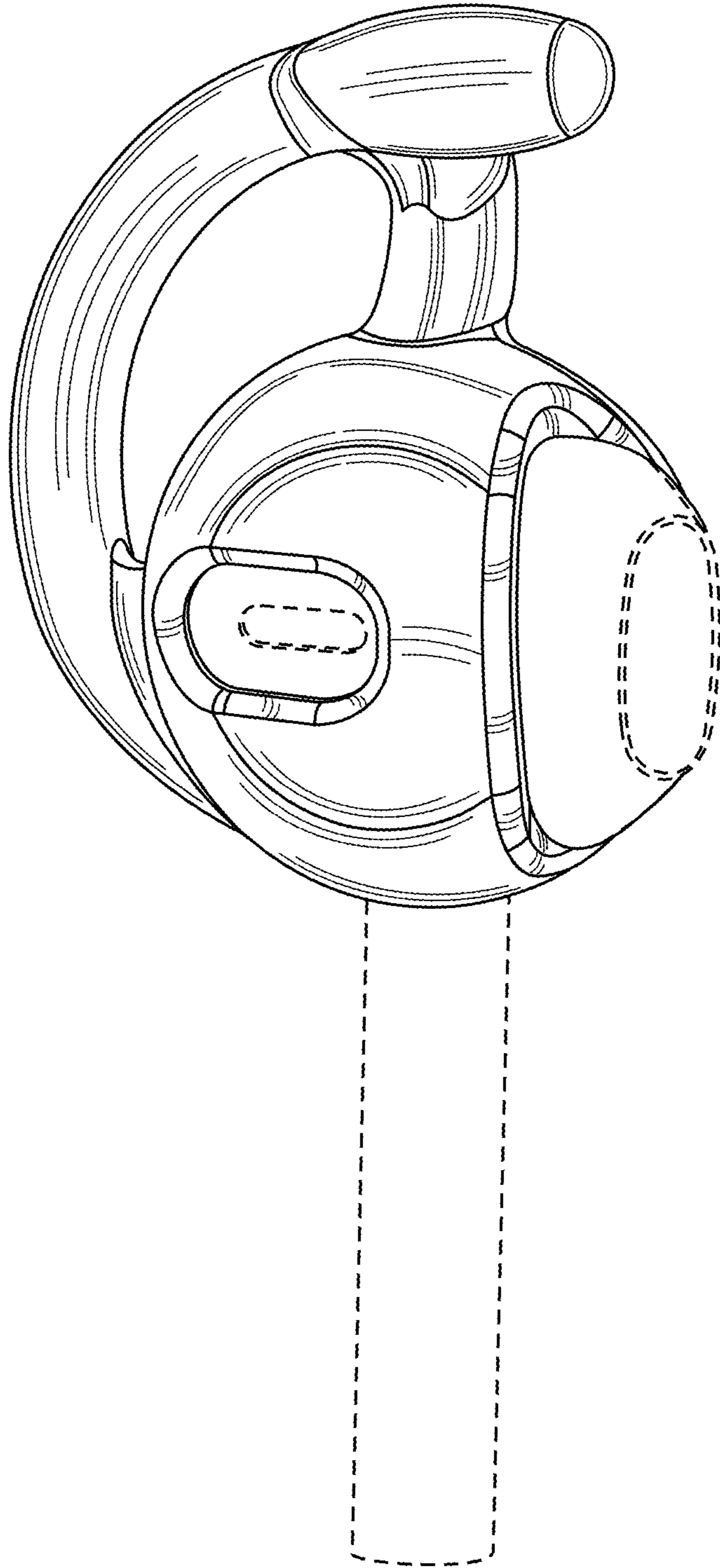


FIG. 15

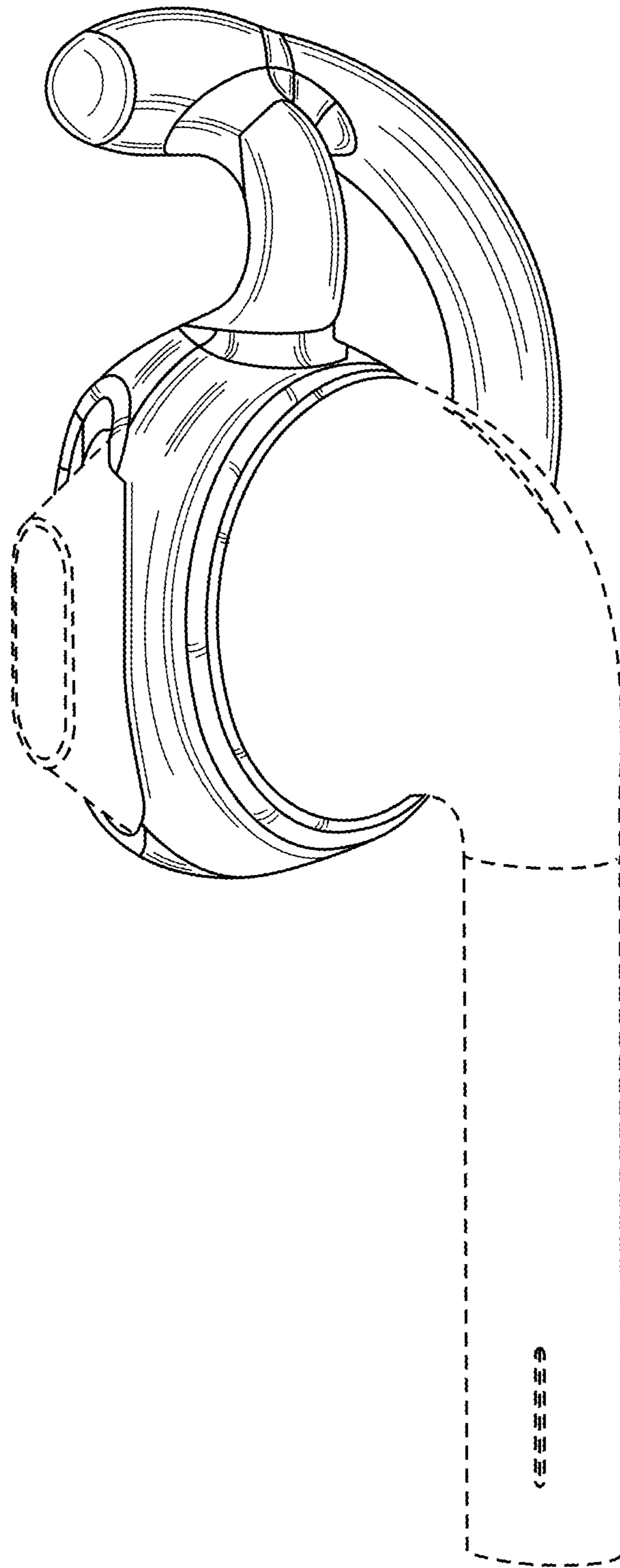


FIG. 16

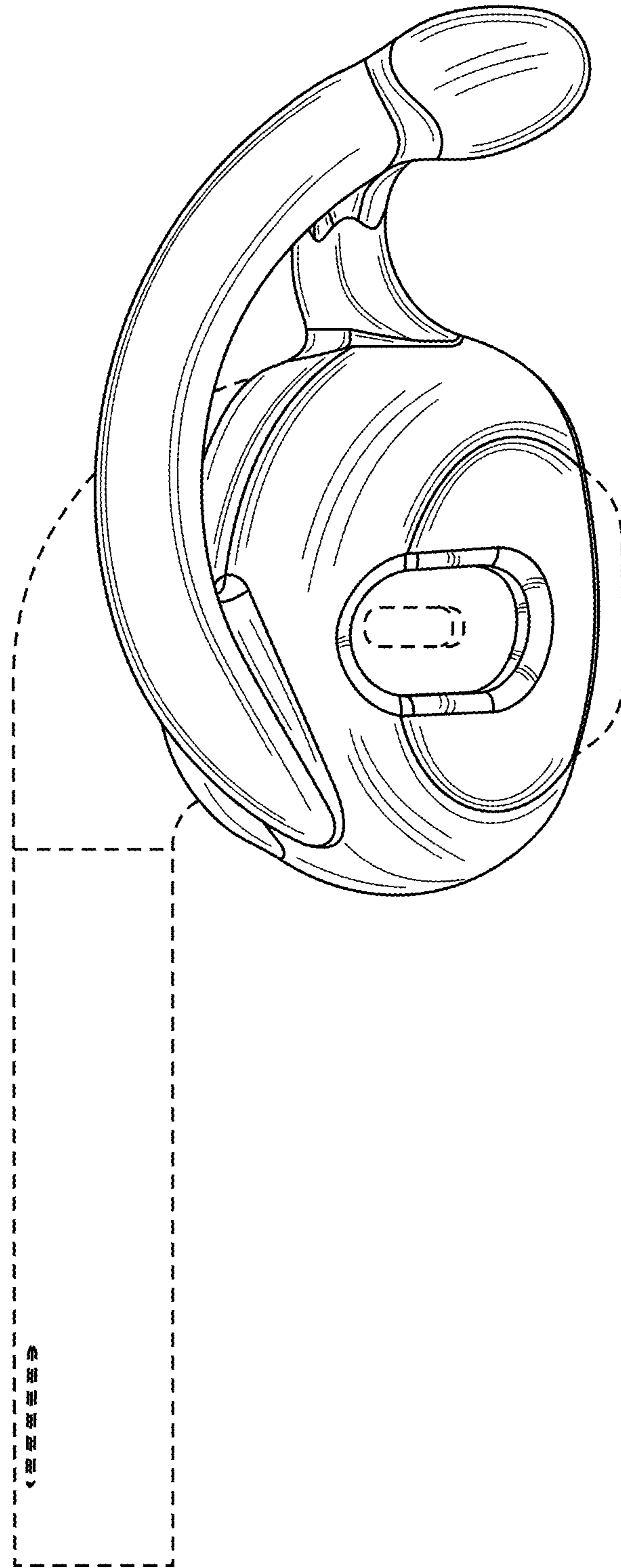


FIG. 17

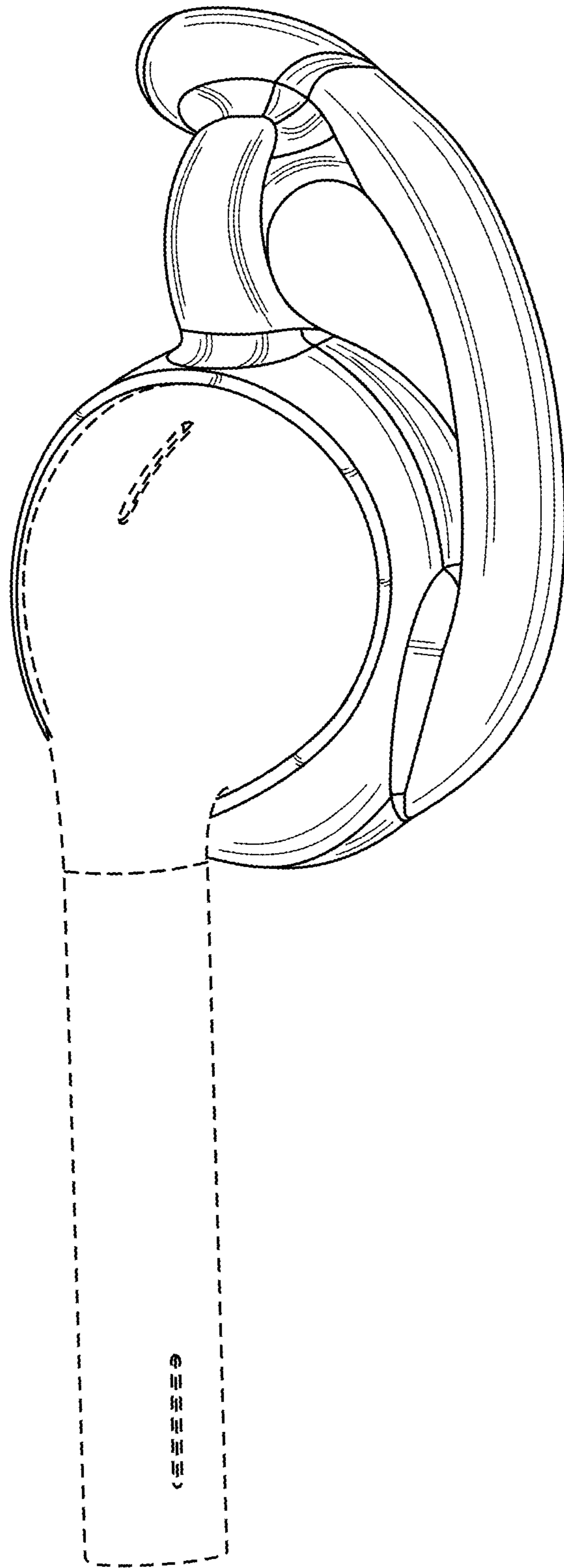


FIG. 18