



US00D779460S

(12) **United States Design Patent**
Turksu et al.

(10) **Patent No.:** **US D779,460 S**

(45) **Date of Patent:** **** Feb. 21, 2017**

- (54) **WIRELESS REMOTE CONTROL**
- (71) Applicant: **SARIANA, LLC**, San Diego, CA (US)
- (72) Inventors: **Alan Turksu**, San Diego, CA (US);
Mustafa Burak Guclu, San Diego, CA (US)
- (73) Assignee: **SARIANA, LLC**, San Diego, CA (US)
- (**) Term: **15 Years**
- (21) Appl. No.: **29/557,623**
- (22) Filed: **Mar. 10, 2016**
- (51) **LOC (10) Cl.** **14-03**
- (52) **U.S. Cl.**
USPC **D14/218**; D14/247
- (58) **Field of Classification Search**
USPC D14/137, 138, 139, 140, 174, 217-218,
D14/240, 247, 388, 389, 390, 396, 511;
D13/103, 107, 108, 119, 162, 163, 164,
D13/168, 184; D21/516, 517
CPC G08C 17/02; G08C 19/12; G08C 23/04
See application file for complete search history.

D572,656 S *	7/2008	Schein	D13/108
D581,038 S *	11/2008	Boswell	D23/378
D598,374 S *	8/2009	Sasada	D13/108
D625,294 S *	10/2010	Wada	D14/218
D685,750 S *	7/2013	Nakagawa	D13/168
D690,662 S *	10/2013	Maier	D13/168
D758,988 S *	6/2016	An	D14/138 R

OTHER PUBLICATIONS

<https://www.youtube.com/watch?v=5RKN7VaRO8I>—Published Jan. 4, 2016.*
<https://www.amazon.com/Satechi-Presenter-Powerpoint-Presentation-Presentations/dp/B019PJUQIC>—Available as early as Mar. 11, 2016.*

* cited by examiner

Primary Examiner — Manpreet Matharu
Assistant Examiner — Mojtaba Tehrani
 (74) *Attorney, Agent, or Firm* — Wagenknecht IP Law Group PC

(57) **CLAIM**

What is claimed is an ornamental design for a wireless remote control, as shown and described.

DESCRIPTION

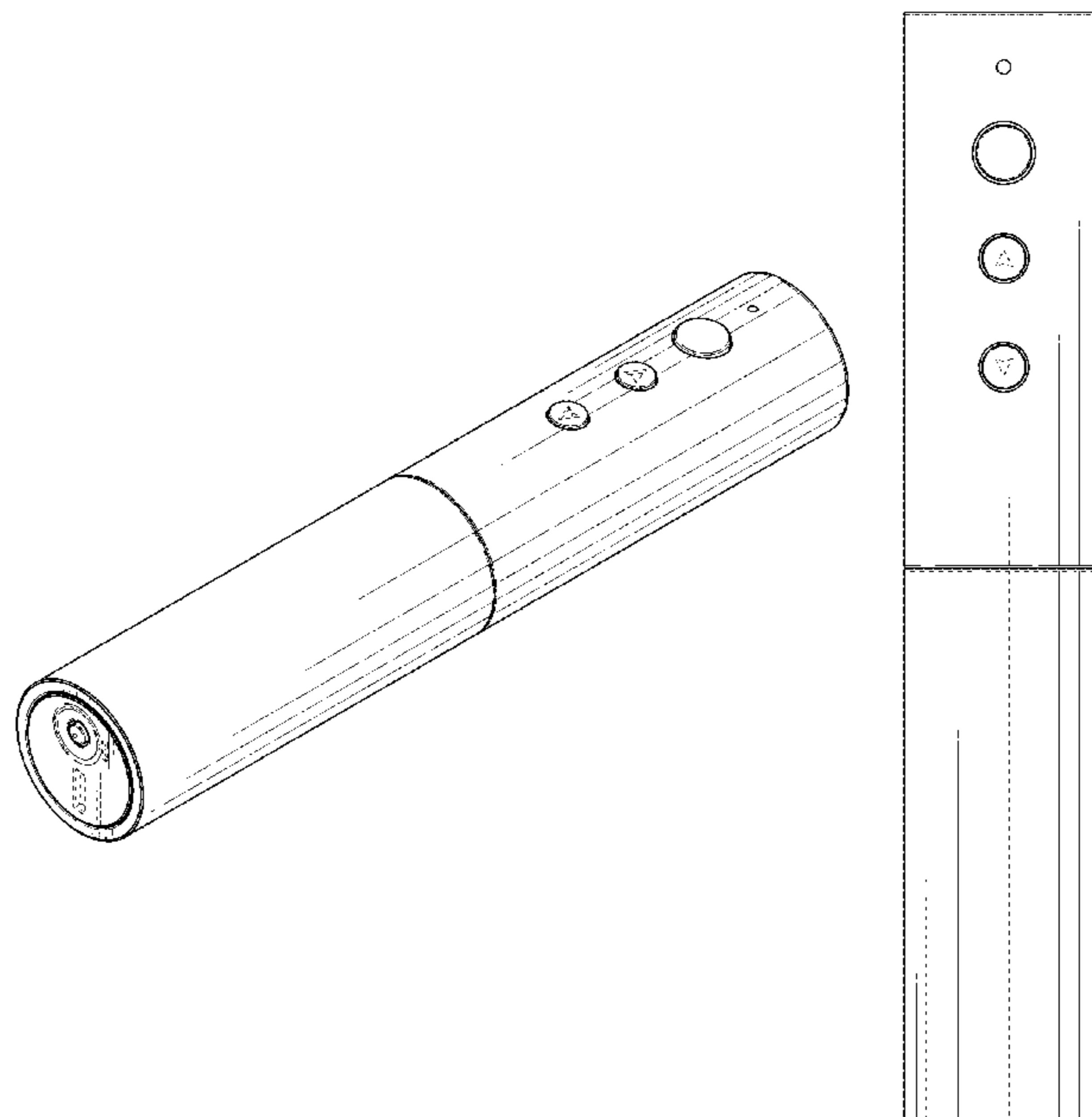
FIG. 1 is a top, rear, right view of a wireless remote control showing our new design;
 FIG. 2 is a rear elevational view thereof;
 FIG. 3 is a front elevational view thereof;
 FIG. 4 is a left elevational view thereof;
 FIG. 5 is a right elevational view thereof;
 FIG. 6 is a top plan view thereof;
 FIG. 7 is a bottom plan view thereof; and,
 FIG. 8 is a front, bottom, left view thereof.
 The broken line in the figure drawings represents unclaimed environment only and forms no part of the claimed design.

1 Claim, 4 Drawing Sheets

(56) **References Cited**

U.S. PATENT DOCUMENTS

D322,609 S *	12/1991	Patton	D14/218
D424,567 S *	5/2000	Hakoda	D14/218
D450,682 S *	11/2001	Takagi	D14/218
D466,492 S *	12/2002	Matsuoka	D14/162
D499,702 S *	12/2004	Abe	D13/168
D519,918 S *	5/2006	Wilson	D13/103
D528,510 S *	9/2006	Schmieta	D13/168
D533,866 S *	12/2006	Morisawa	D14/218
D539,217 S *	3/2007	Hamaguchi	D13/103
D543,143 S *	5/2007	Hamaguchi	D13/103
D552,043 S *	10/2007	Thursfield	D13/168



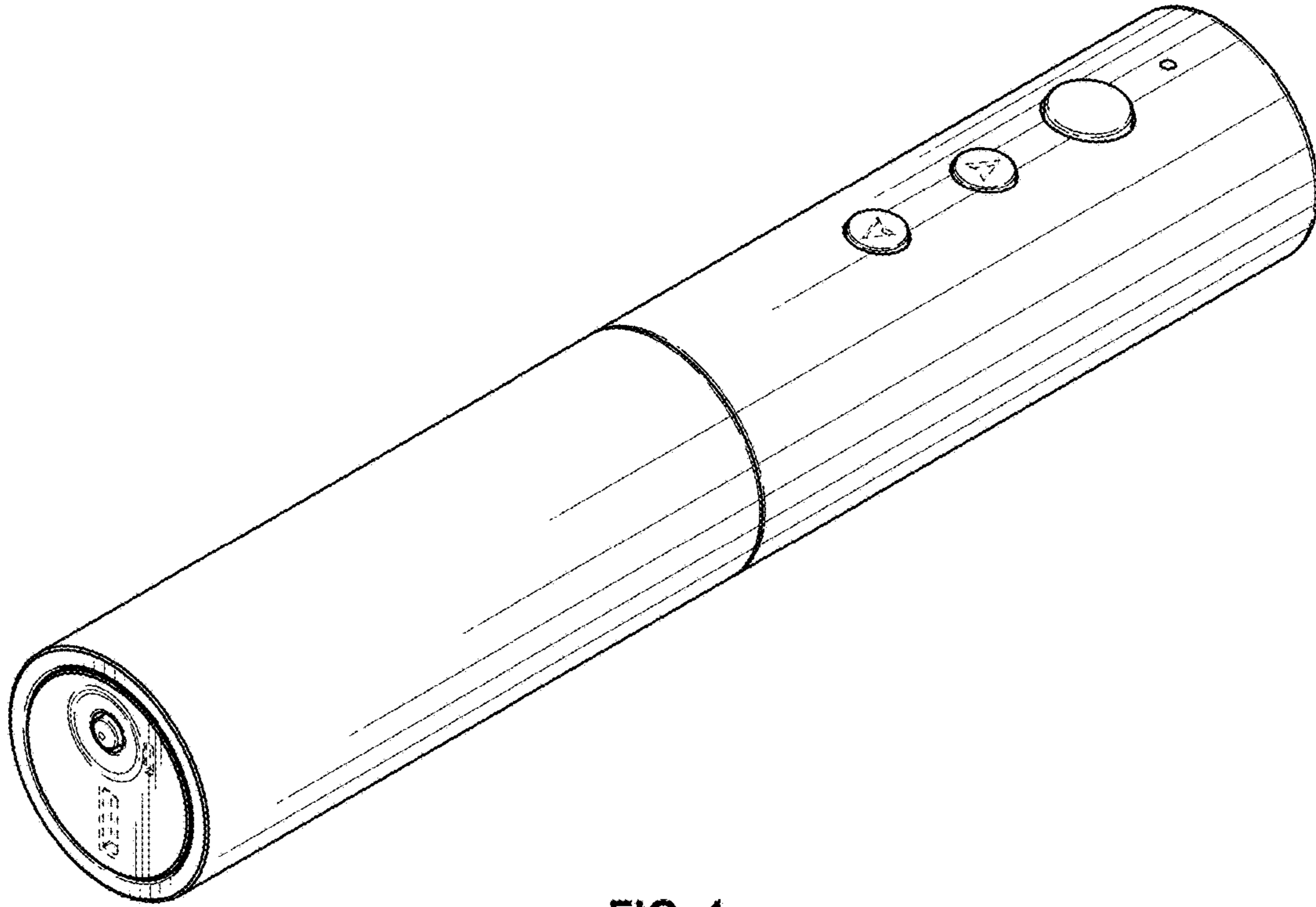


FIG. 1

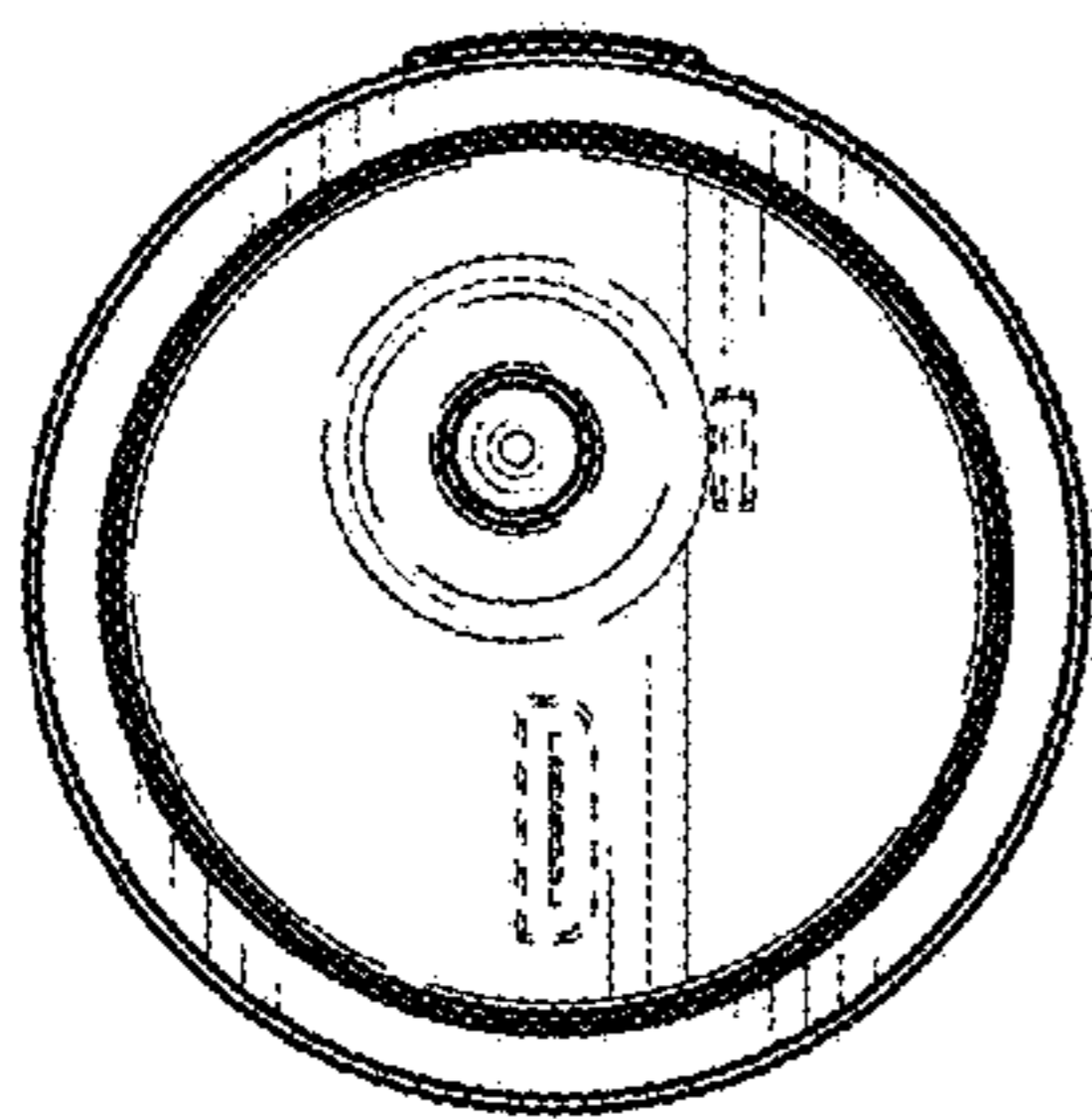


FIG. 2

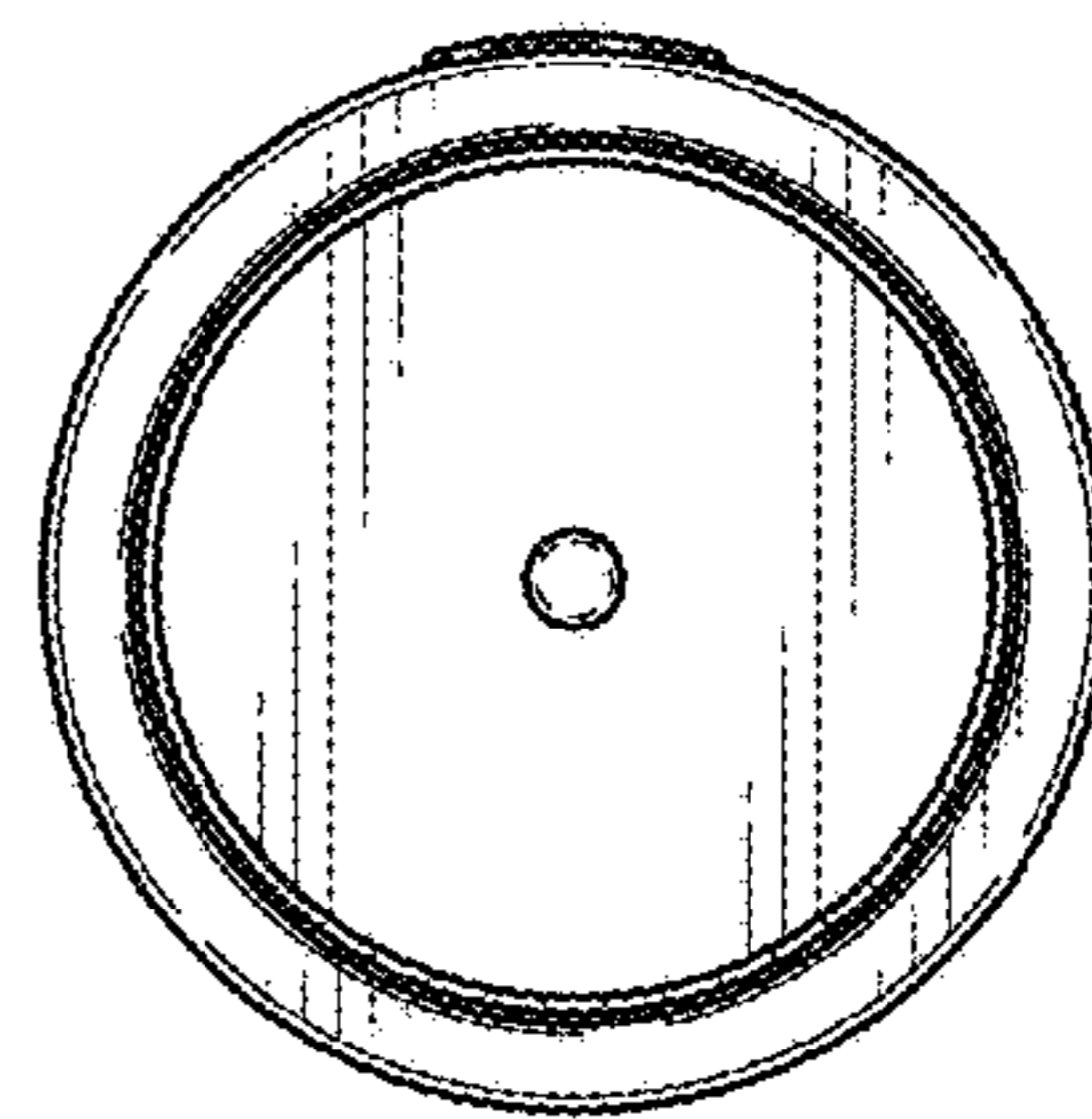


FIG. 3

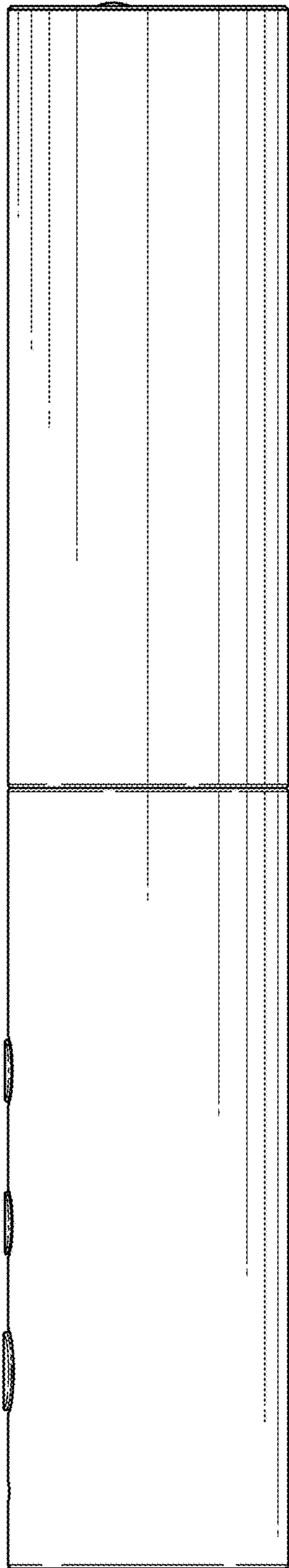


FIG. 4

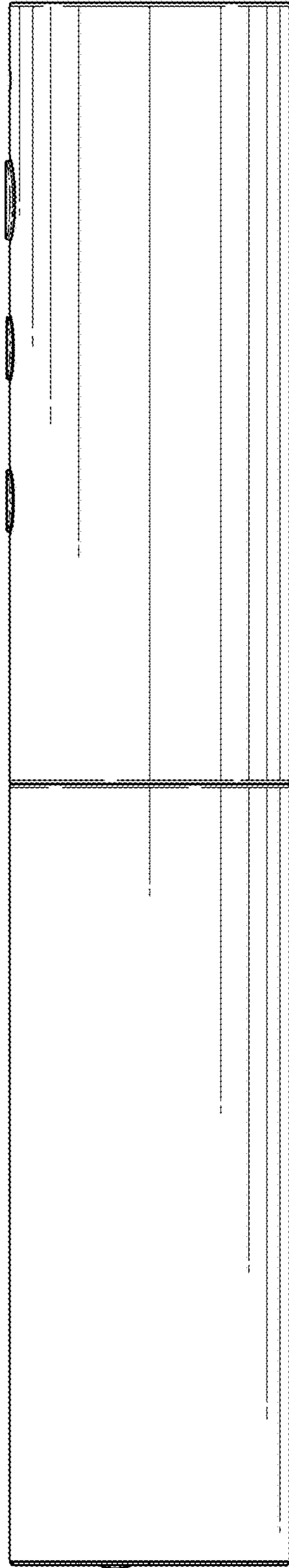


FIG. 5

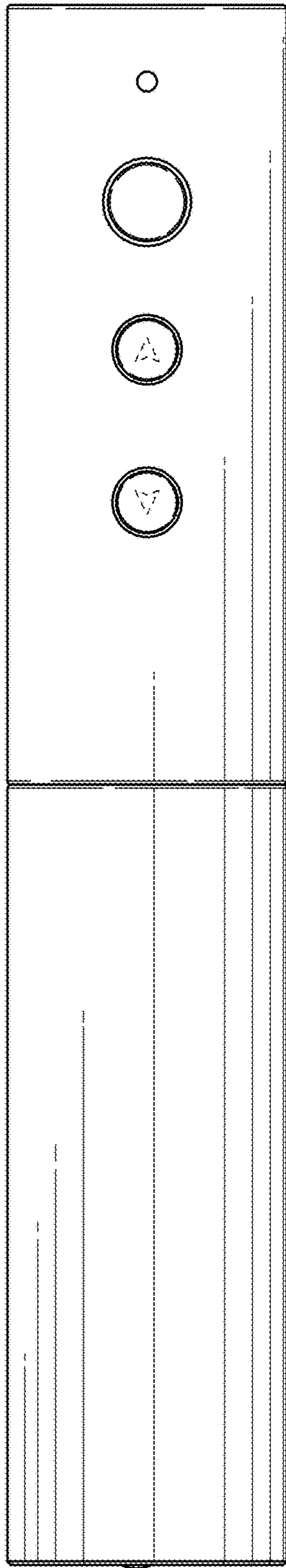


FIG. 6

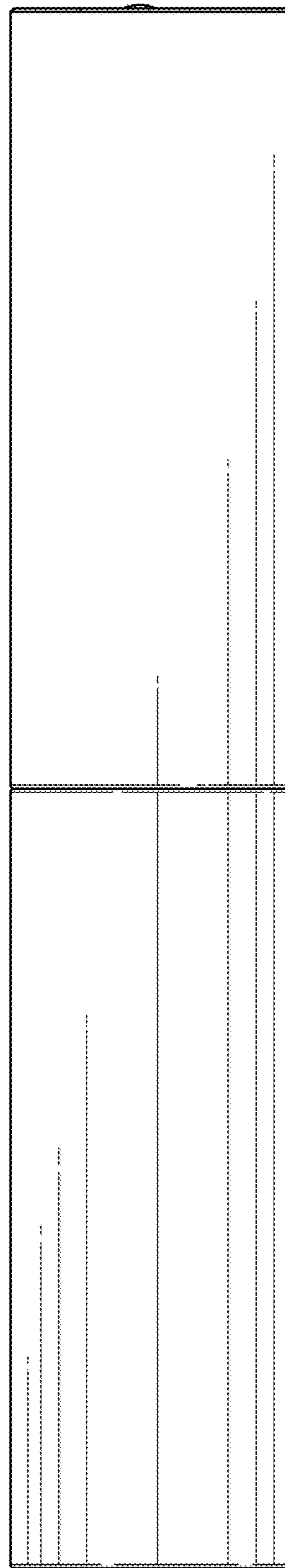


FIG. 7

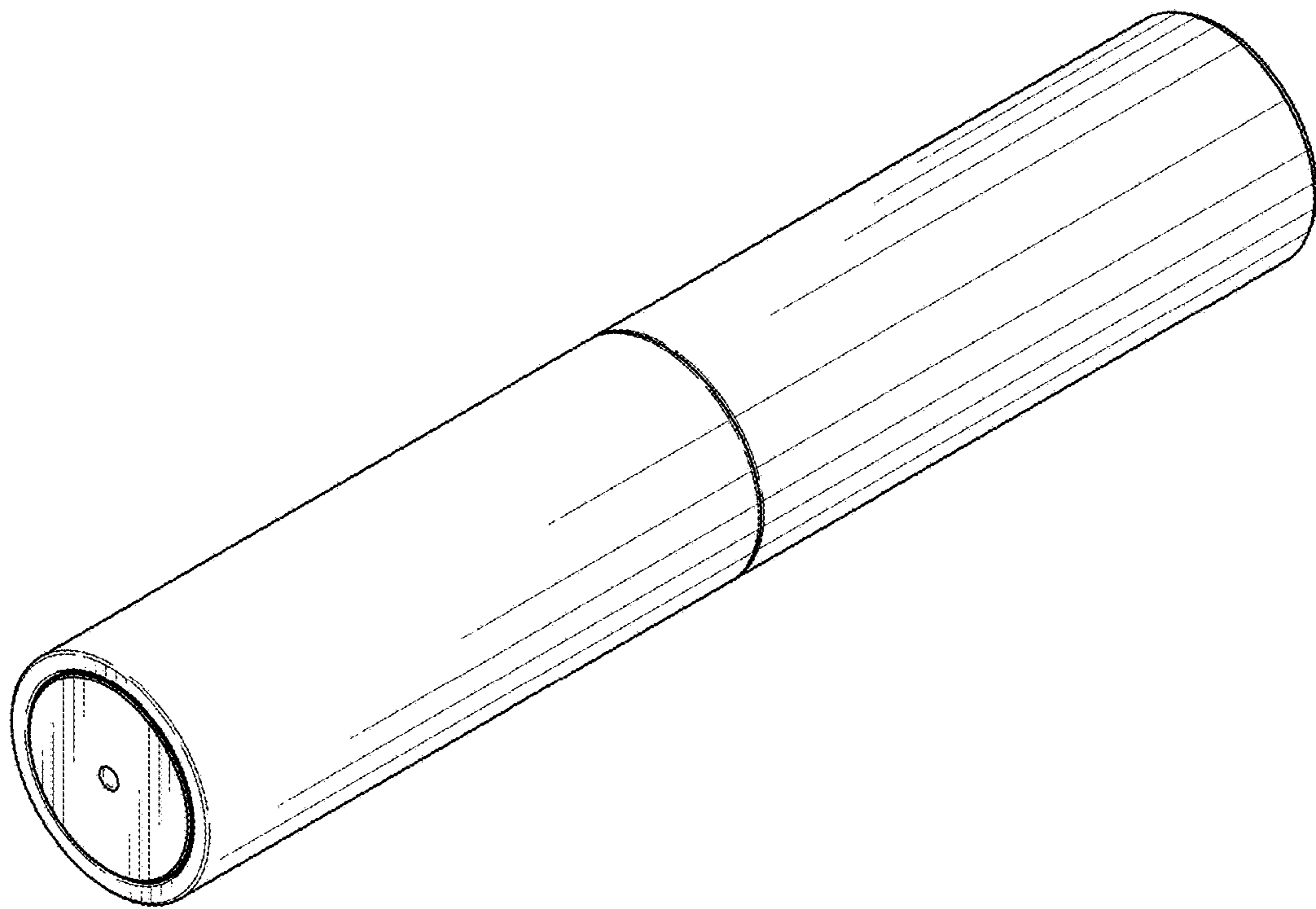


FIG. 8