



US00D779458S

(12) **United States Design Patent**
Morita

(10) **Patent No.:** **US D779,458 S**

(45) **Date of Patent:** **** Feb. 21, 2017**

(54) **CONTROLLER FOR ELECTRONIC DEVICE**

(71) Applicant: **FUJITSU LIMITED**, Kawasaki-shi,
Kanagawa (JP)

(72) Inventor: **Kimio Morita**, Kawasaki (JP)

(73) Assignee: **FUJITSU LIMITED**, Kawasaki (JP)

(**) Term: **14 Years**

(21) Appl. No.: **29/519,254**

(22) Filed: **Mar. 3, 2015**

(30) **Foreign Application Priority Data**

Nov. 7, 2014 (JP) 2014-024801

(51) **LOC (10) Cl.** **14-03**

(52) **U.S. Cl.**
USPC **D14/218**

(58) **Field of Classification Search**

USPC D14/218; D13/168

CPC A61L 2/10; G06F 3/033; G09G 5/08;
G08C 19/12; G08C 17/02; G08G 5/08

See application file for complete search history.

(56) **References Cited**

U.S. PATENT DOCUMENTS

D313,398 S *	1/1991	Gilchrist	D13/164
D314,384 S *	2/1991	Hafner	D14/218
D515,955 S *	2/2006	Edwards	D10/104.1
D521,500 S *	5/2006	Sass	D14/218
D521,984 S *	5/2006	Solomon	D14/218
D533,514 S *	12/2006	Hidalgo	D13/168
D557,666 S *	12/2007	Schroter	D13/168
D708,590 S *	7/2014	Zhang	D13/168

(Continued)

FOREIGN PATENT DOCUMENTS

CN	302974094	*	10/2014
EM	000141833-0003	*	6/2004

OTHER PUBLICATIONS

Navigation environmental protection small remote control Ultra-thin remote control, website copyroght 2015, http://www.viluspow1.com/sell-navigation_environmental_protection_small_remote_control_ultra_thin_remote_control-2655288.html, [site visited Aug. 19, 2016 2:58:08 AM].*

(Continued)

Primary Examiner — John Windmuller

Assistant Examiner — John R Yeh

(74) *Attorney, Agent, or Firm* — Staas & Halsey LLP

(57) **CLAIM**

The ornamental design for a controller for an electronic device, as shown and described.

DESCRIPTION

FIG. 1 is a perspective view of front, top and right side of a controller for an electronic device showing my new design;

FIG. 2 is a perspective view of rear, bottom and right side thereof;

FIG. 3 is a front view thereof;

FIG. 4 is a rear view thereof;

FIG. 5 is a left side view thereof;

FIG. 6 is a right side view thereof;

FIG. 7 is a top view thereof;

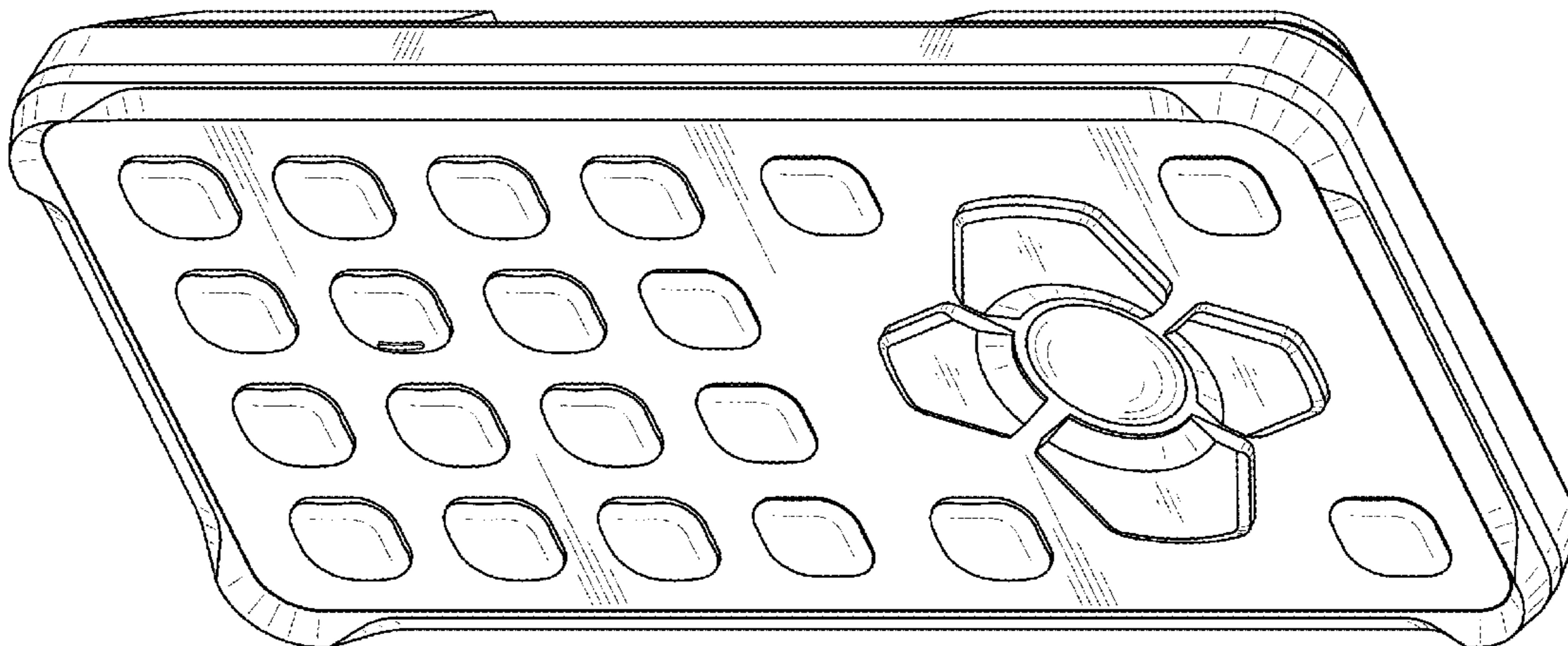
FIG. 8 is a bottom view thereof;

FIG. 9 is a cross sectional view taken along line 9-9 in FIG. 3 with an internal structure omitted; and,

FIG. 10 is a cross sectional view taken along line 10-10 in FIG. 3 with an internal structure omitted.

The broken lines shown are included for the purpose of illustrating the unclaimed portions of a controller for an electronic device and form no part of the claimed design.

1 Claim, 7 Drawing Sheets



(56)

References Cited

U.S. PATENT DOCUMENTS

D713,360	S *	9/2014	Spira	D13/168
D726,160	S *	4/2015	Chang	D14/218
D729,180	S *	5/2015	Byrne	D13/174
D733,100	S *	6/2015	Kim	D14/218
2006/0227033	A1 *	10/2006	Shibamiya	G06F 3/0236
				341/176
2006/0227251	A1 *	10/2006	Dickervitz	G08C 17/00
				348/734
2009/0091488	A1 *	4/2009	Shibutani	G08C 17/00
				341/176
2010/0124942	A1 *	5/2010	Liao	H04B 1/3805
				455/558
2013/0147612	A1 *	6/2013	Hong	G08C 19/00
				340/12.54
2014/0165114	A1 *	6/2014	Ogle	G08C 17/02
				725/83
2016/0078753	A1 *	3/2016	Hatambeiki	G06F 3/0346
				340/12.52
2016/0118173	A1 *	4/2016	Huang	H01F 7/0252
				335/219

OTHER PUBLICATIONS

Others—Fujitsu Serbia, website copyright 2016, <http://www.fujitsu.com/rs/products/computing/peripheral/accessories/input-devices/other/>, [site visited Aug. 19, 2016 2:56:28 AM].*

* cited by examiner

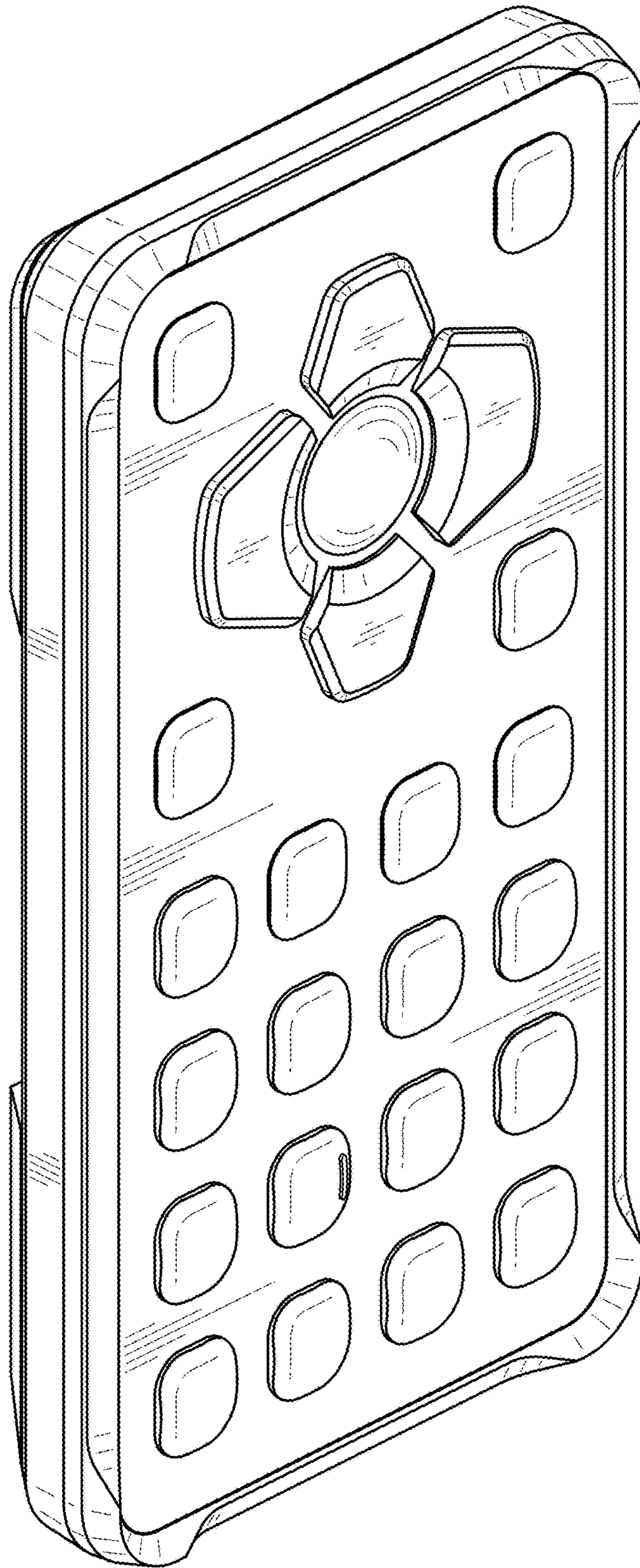


FIG. 1

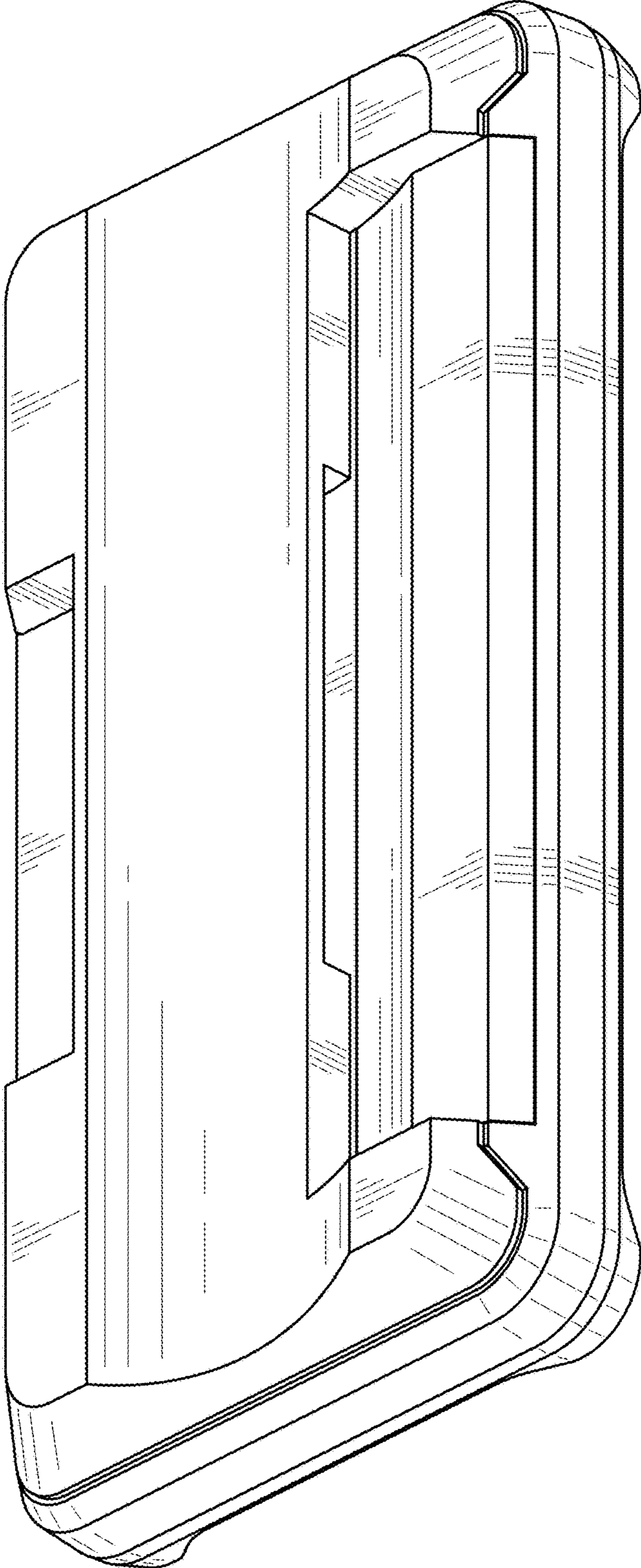


FIG. 2

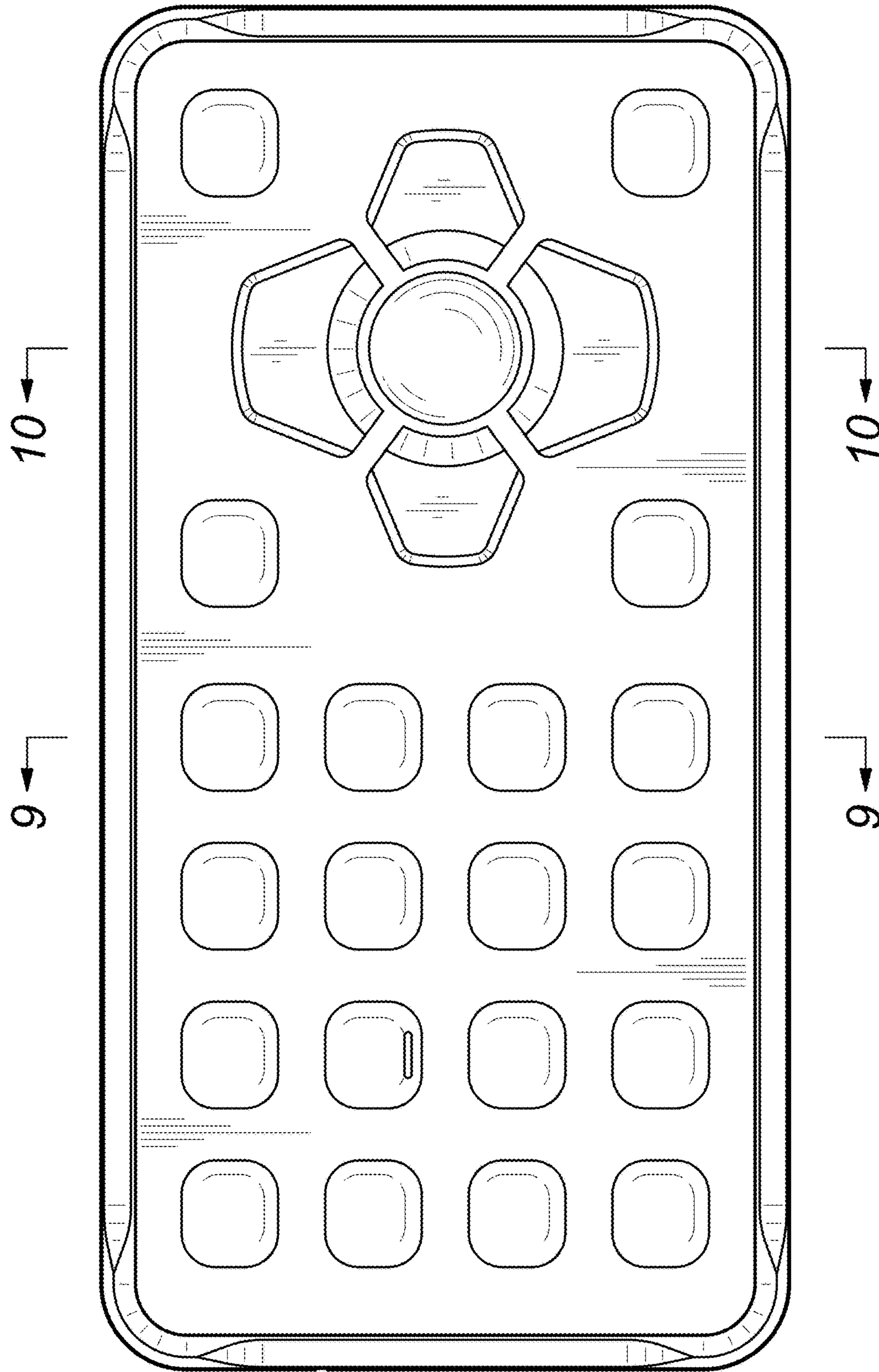


FIG. 3

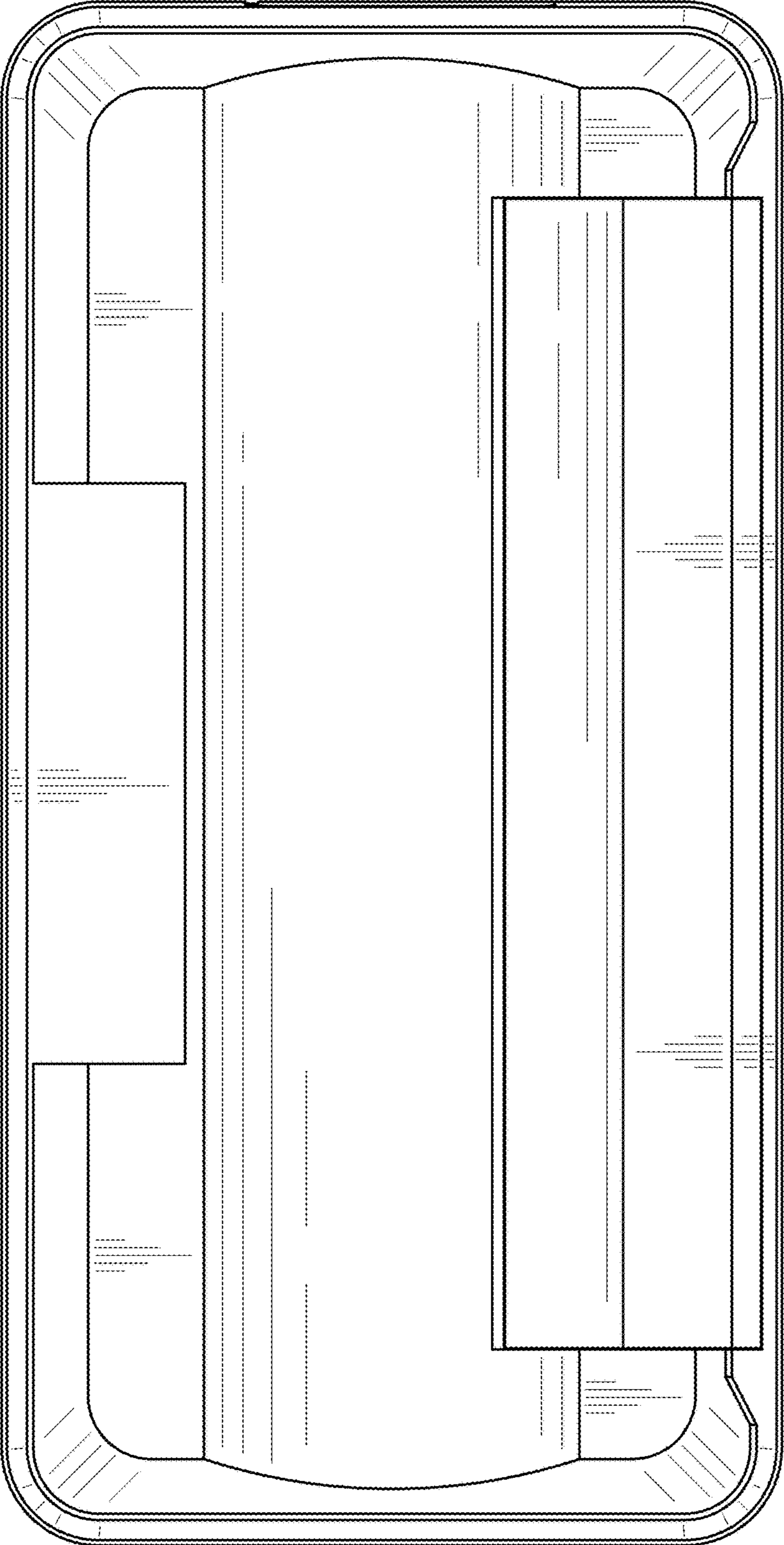


FIG. 4

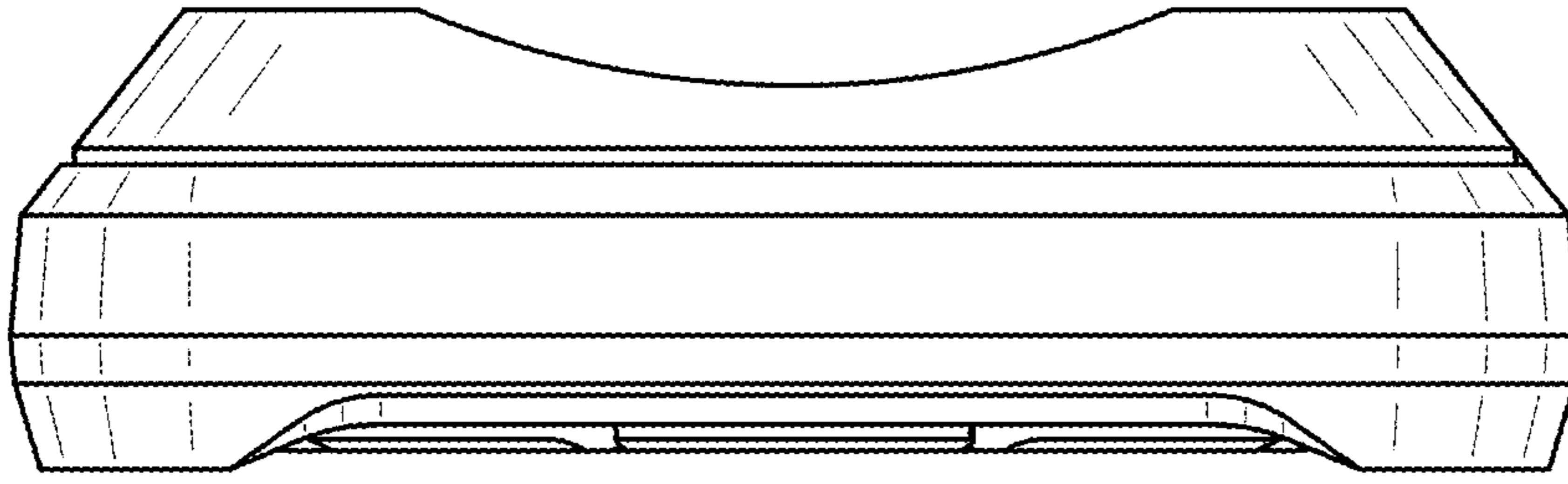


FIG. 6

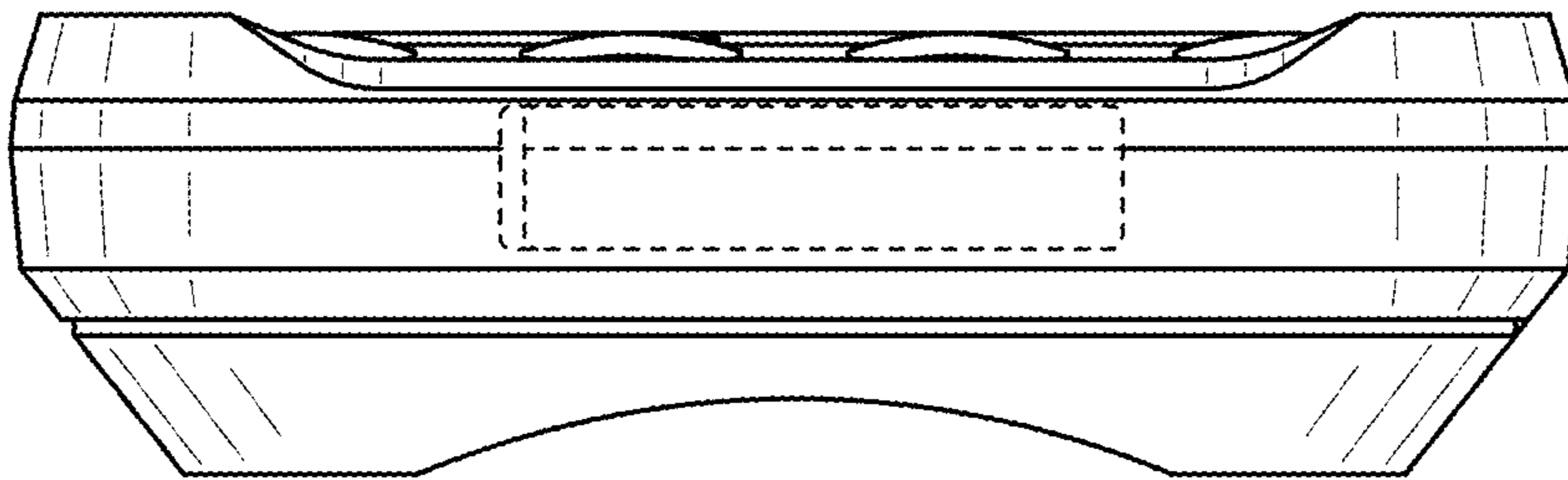


FIG. 5

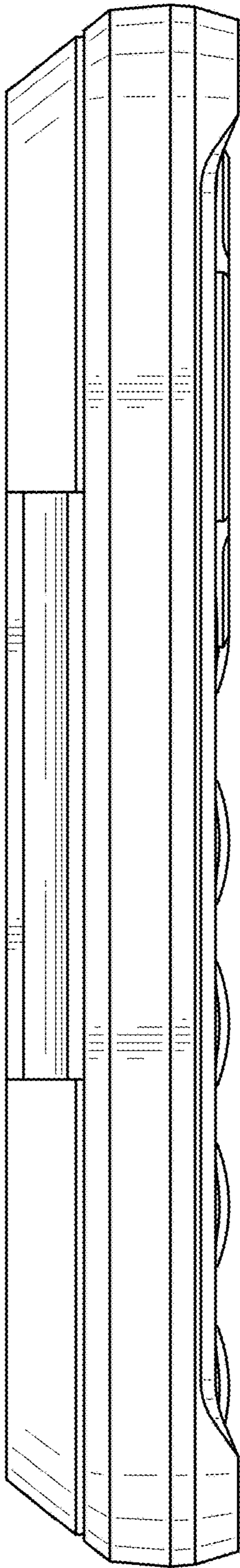


FIG. 7

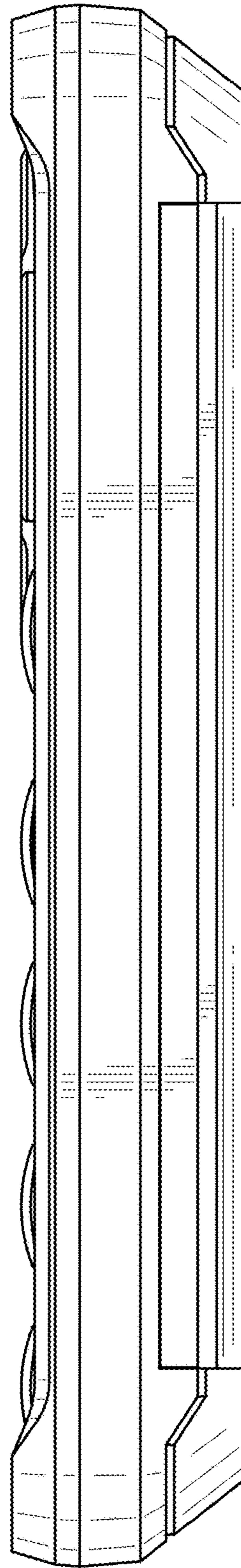


FIG. 8

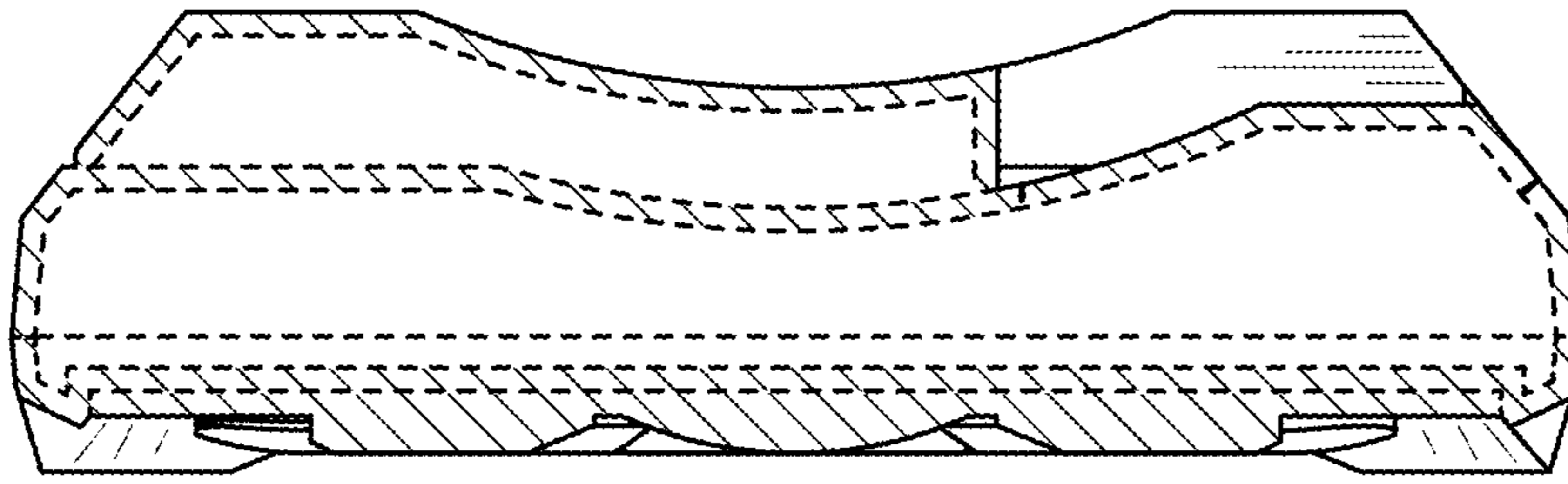


FIG. 10

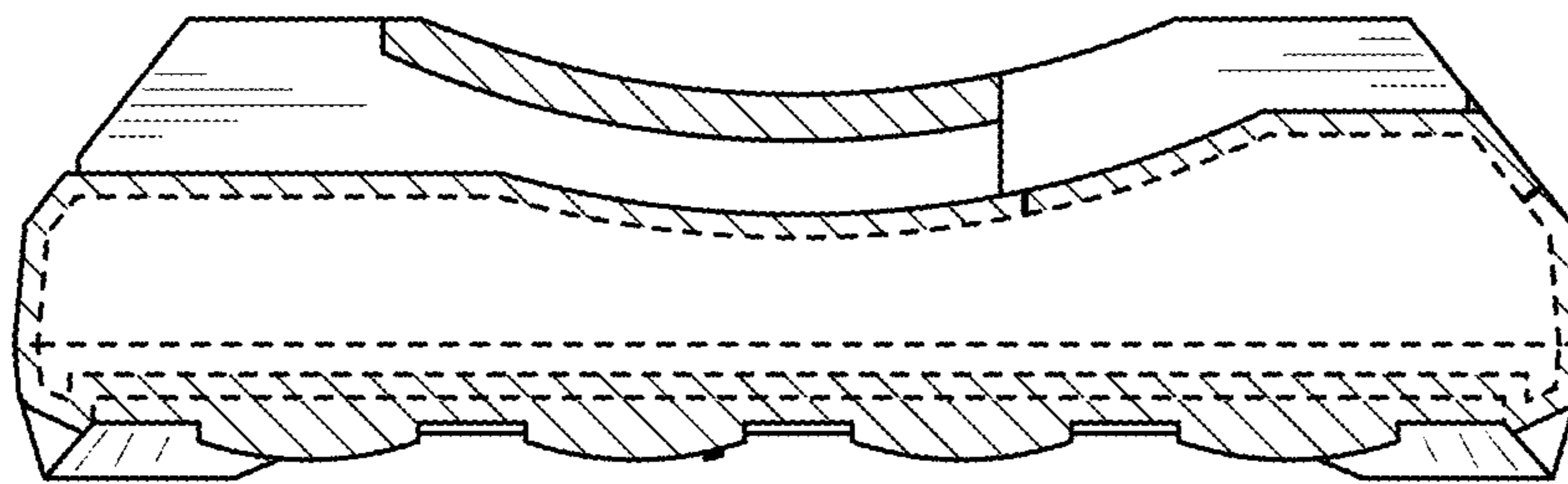


FIG. 9