



US00D779441S

(12) **United States Design Patent** (10) **Patent No.:** **US D779,441 S**
Steinberger (45) **Date of Patent:** **** Feb. 21, 2017**

(54) **PROTECTION DEVICE AGAINST ACCIDENTAL CONTACT FOR AN ELECTRIC BUSBAR**

(71) Applicant: **WOEHNER GMBH & CO. KG ELEKTROTECHNISCHE SYSTEME**, Roedental (DE)

(72) Inventor: **Philipp Steinberger**, Coburg (DE)

(73) Assignee: **WOEHNER GMBH & CO KG ELECTROTECHNISCHE SYSTEME**, Roedental (DE)

(**) Term: **14 Years**

(21) Appl. No.: **29/502,340**

(22) Filed: **Sep. 15, 2014**

(30) **Foreign Application Priority Data**

Mar. 21, 2014 (EM) 002430173-0001

(51) **LOC (10) Cl.** **13-03**

(52) **U.S. Cl.**
USPC **D13/160**

(58) **Field of Classification Search**
USPC D13/110, 123, 133, 154, 157-160, 173, D13/184, 199
CPC H01M 2/20; H01M 10/04; H01M 10/30; H01R 9/00; H01R 9/22; H01R 9/24; H01R 25/16; H02G 5/00
See application file for complete search history.

(56) **References Cited**

U.S. PATENT DOCUMENTS

D308,061 S * 5/1990 De Luca 379/327
D329,638 S * 9/1992 Sharp D13/154

D372,897 S * 8/1996 Curry D13/184
D655,252 S * 3/2012 Okubo D13/159
D740,754 S * 10/2015 Naumann D13/123
2014/0315401 A1 * 10/2014 Blasbalg H01R 25/161
439/110
2014/0377626 A1 * 12/2014 Vu H01M 2/24
429/128
2015/0010808 A1 * 1/2015 Shoji H01M 2/206
429/158

* cited by examiner

Primary Examiner — Thomas Johannes

Assistant Examiner — Shawn T Gingrich

(74) *Attorney, Agent, or Firm* — Millen, White, Zelano & Branigan, P.C.; William Nixon

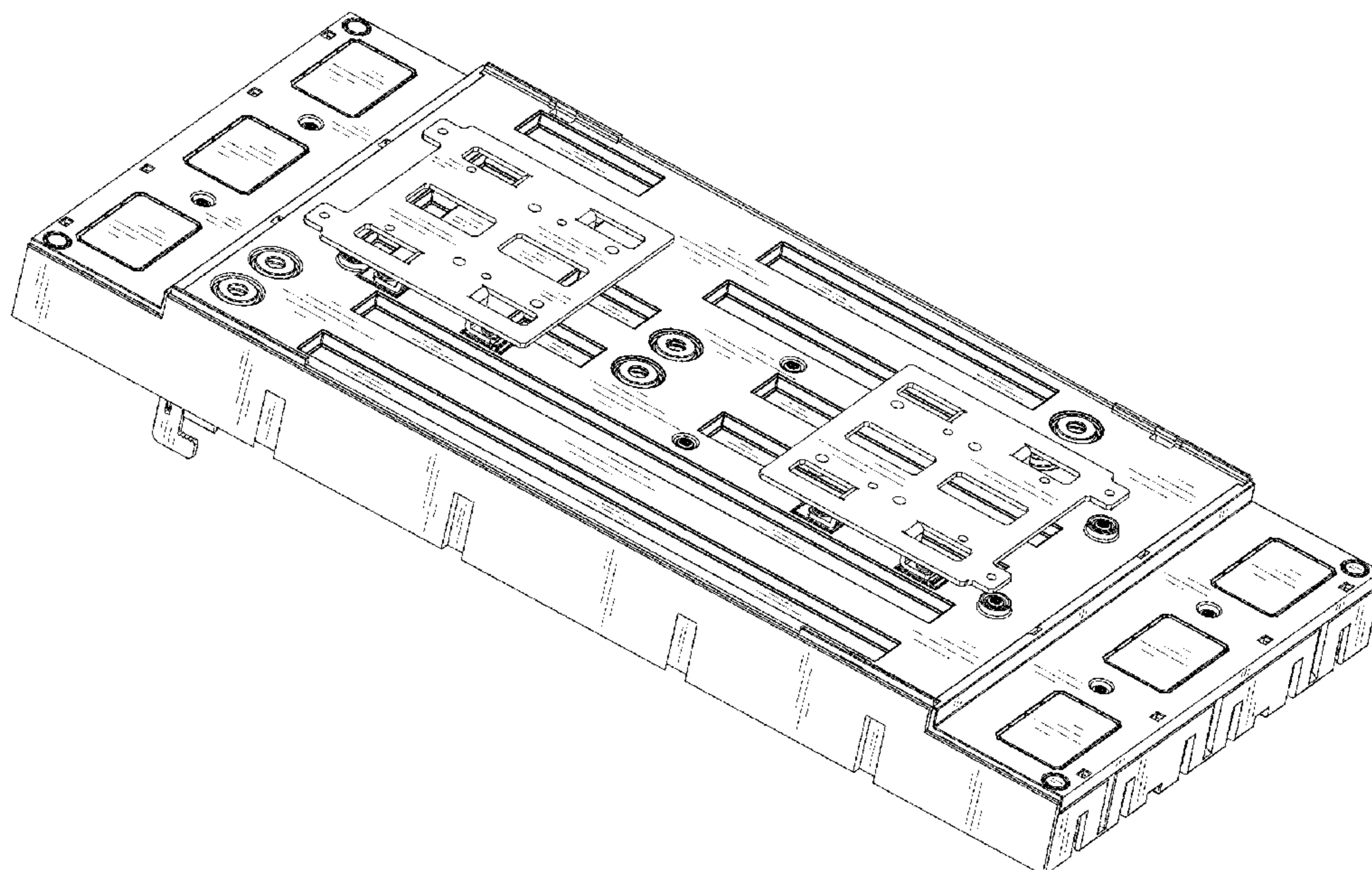
(57) **CLAIM**

The ornamental design for a protection device against accidental contact for an electric busbar, as shown and described.

DESCRIPTION

FIG. 1 is a top view of an embodiment of the protection device against accidental contact for an electric busbar; FIG. 2 is a rear view thereof; FIG. 3 is a front view thereof; FIG. 4 is a left side view thereof; FIG. 5 is a right side view thereof; FIG. 6 is a bottom view thereof; and, FIG. 7 is a top left perspective view thereof. The broken line portion of the drawings is included to show portions of the article and forms no part of the claimed design.

1 Claim, 5 Drawing Sheets



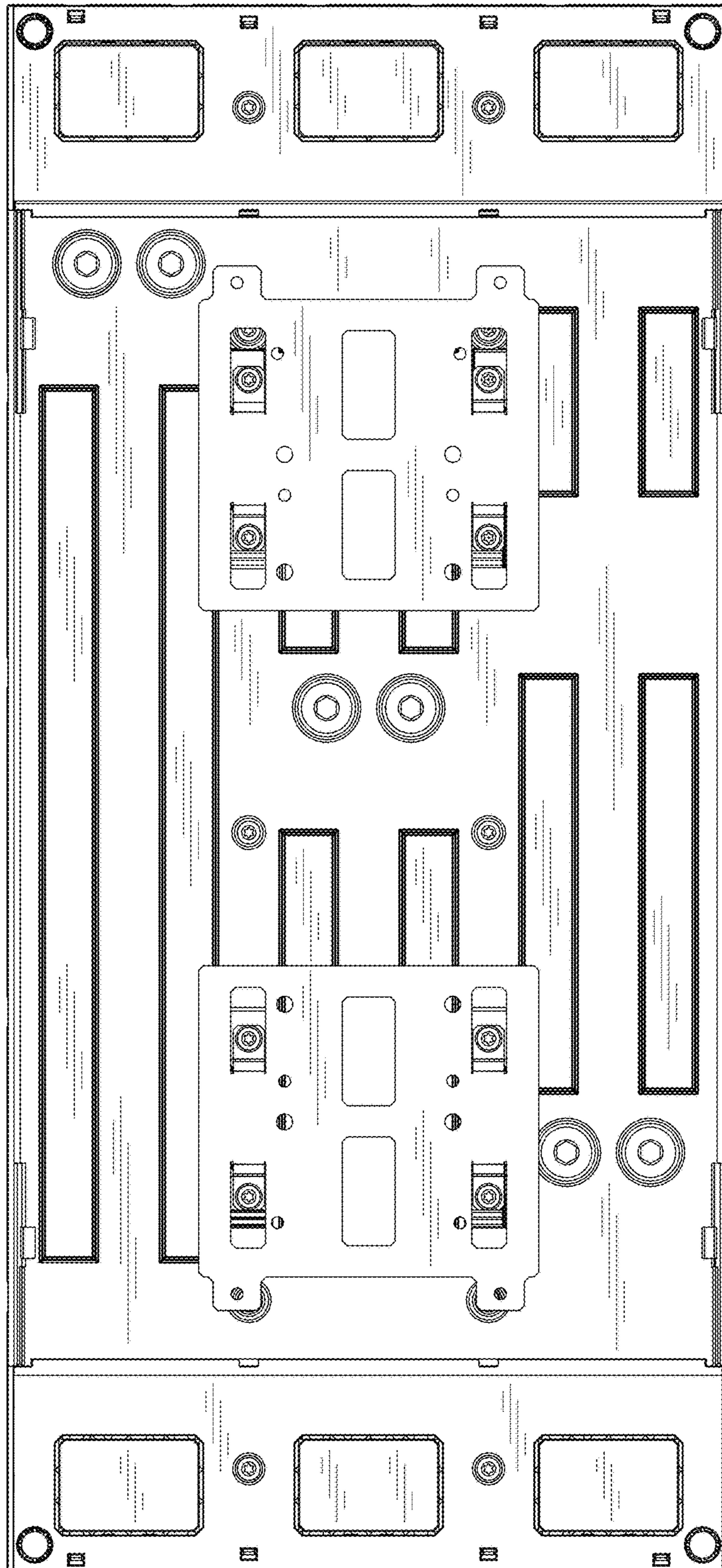


FIG. 1

FIG.2

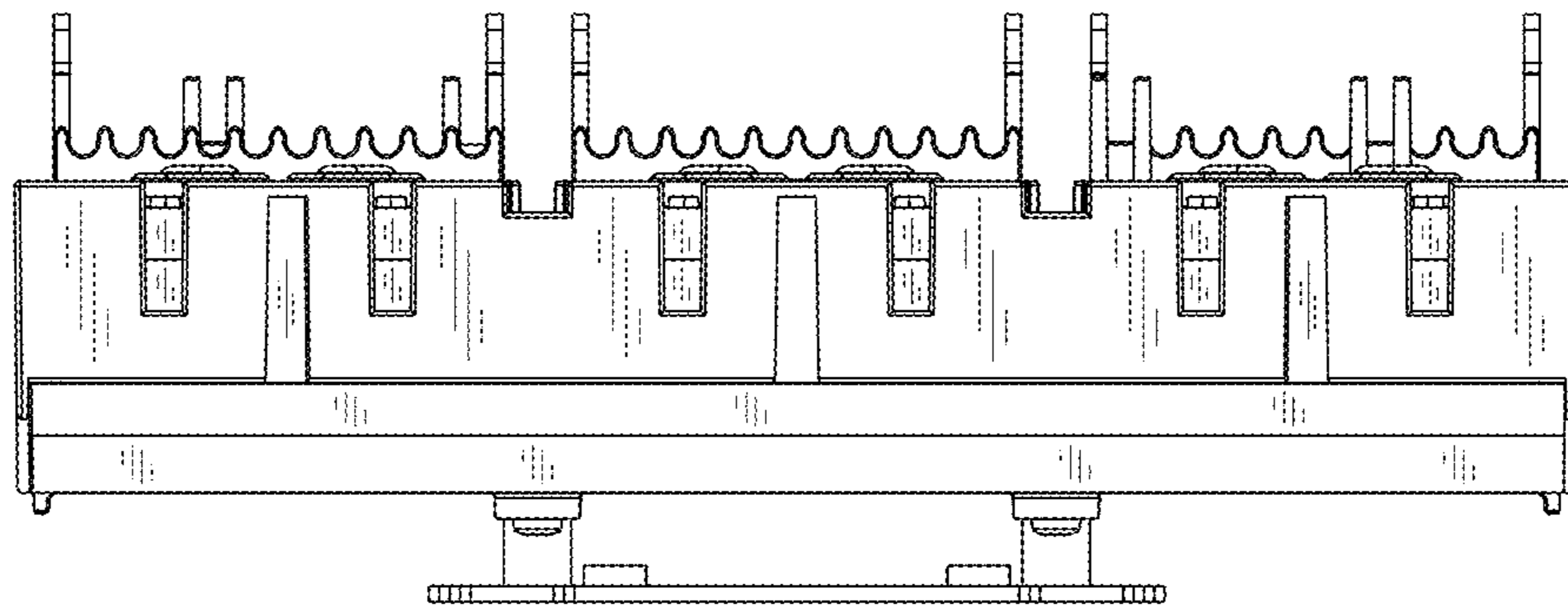
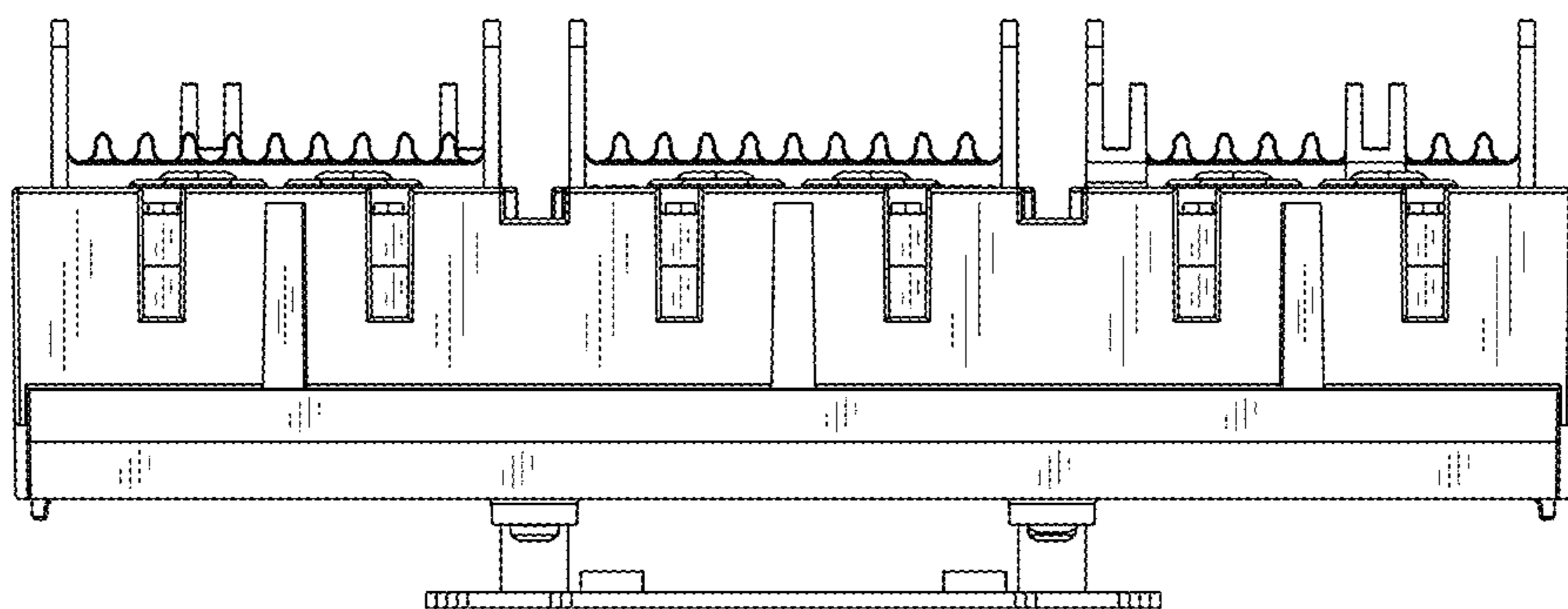


FIG.3



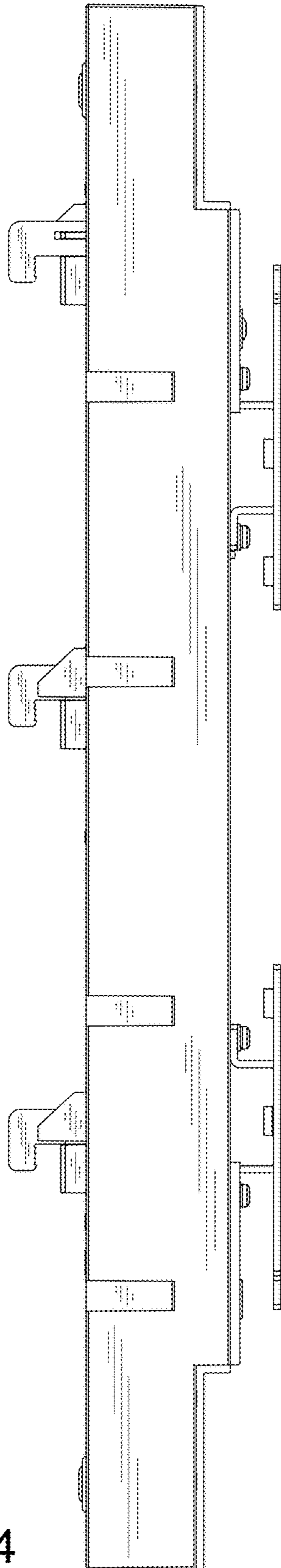


FIG. 4

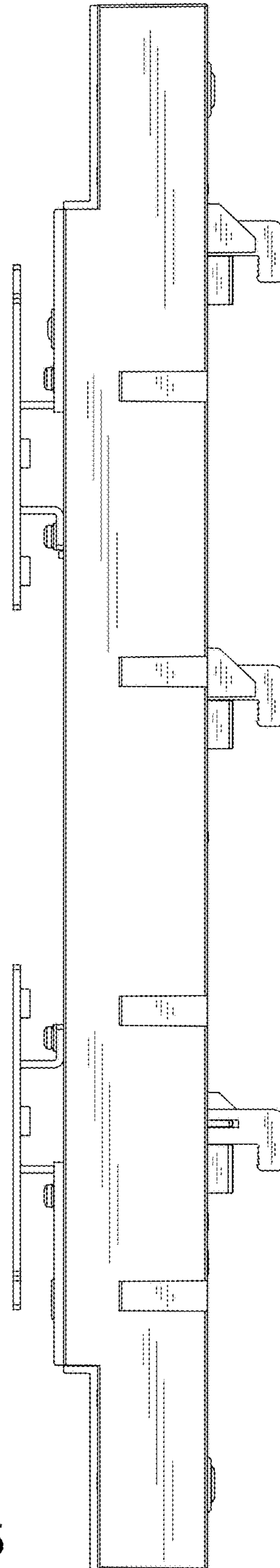


FIG. 5

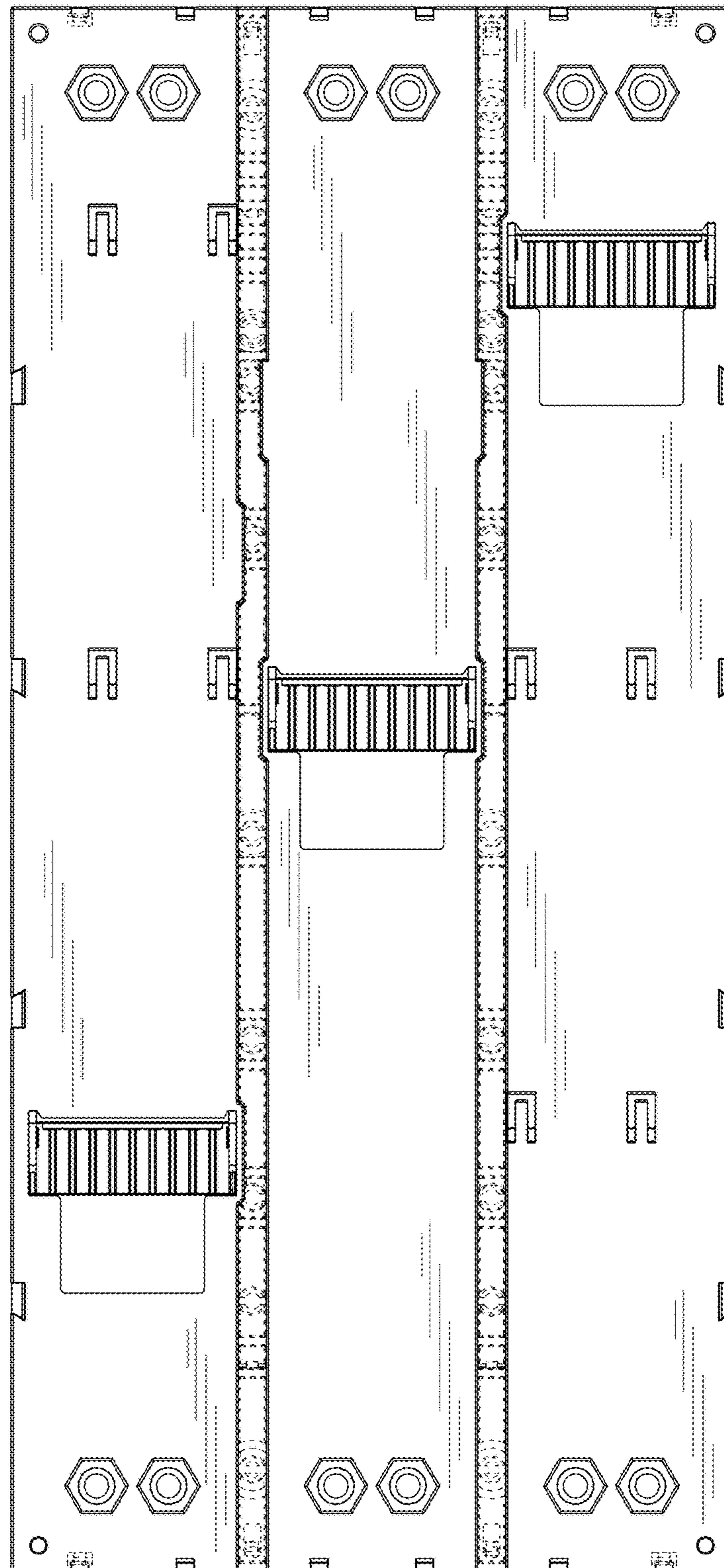


FIG.6

FIG.7

