



US00D779440S

(12) **United States Design Patent**
Ziehm et al.

(10) **Patent No.:** **US D779,440 S**
(45) **Date of Patent:** **** Feb. 21, 2017**

(54) **OVERHEAD TRANSMISSION CONDUCTOR CABLE**

(71) Applicant: **Henkel AG & Co. KGaA**, Düsseldorf (DE)

(72) Inventors: **Mark W. Ziehm**, Oakland Township, MI (US); **Shawn E. Dolan**, Sterling Heights, MI (US)

(73) Assignee: **Henkel AG & Co. KGaA**, Duesseldorf (DE)

(**) Term: **14 Years**

(21) Appl. No.: **29/498,752**

(22) Filed: **Aug. 7, 2014**

(51) **LOC (10) Cl.** **13-03**

(52) **U.S. Cl.**
USPC **D13/153**

(58) **Field of Classification Search**
USPC D13/153, 147, 154; 74/500.5; 57/220, 57/258, 238; 1/1; 403/368; 174/102 D, 174/121 R, 110 D, 177, 109, 102 R; 198/847; 156/51; 138/130
CPC H01R 31/06; H01R 24/28; D07B 1/062; D07B 1/025; D07B 1/0686; D07B 1/005; H01B 11/1839; H01B 11/1808; H01B 11/1008

See application file for complete search history.

(56) **References Cited**

U.S. PATENT DOCUMENTS

1,749,740 A * 3/1930 Frederickson H01B 7/1865
174/121 R
4,045,611 A * 8/1977 Torgerson H01B 7/182
174/110 D
4,131,759 A * 12/1978 Felkel H01B 7/226
138/130

4,187,391 A * 2/1980 Voser H01B 11/1808
156/56
4,718,224 A * 1/1988 Obata D07B 1/062
428/371
5,027,497 A * 7/1991 Takaki B22D 19/14
174/177

(Continued)

FOREIGN PATENT DOCUMENTS

CN 2879357 Y 3/2007
CN 200969249 Y 10/2007

(Continued)

Primary Examiner — Rhea Shields

(74) *Attorney, Agent, or Firm* — Mary K. Cameron

(57) **CLAIM**

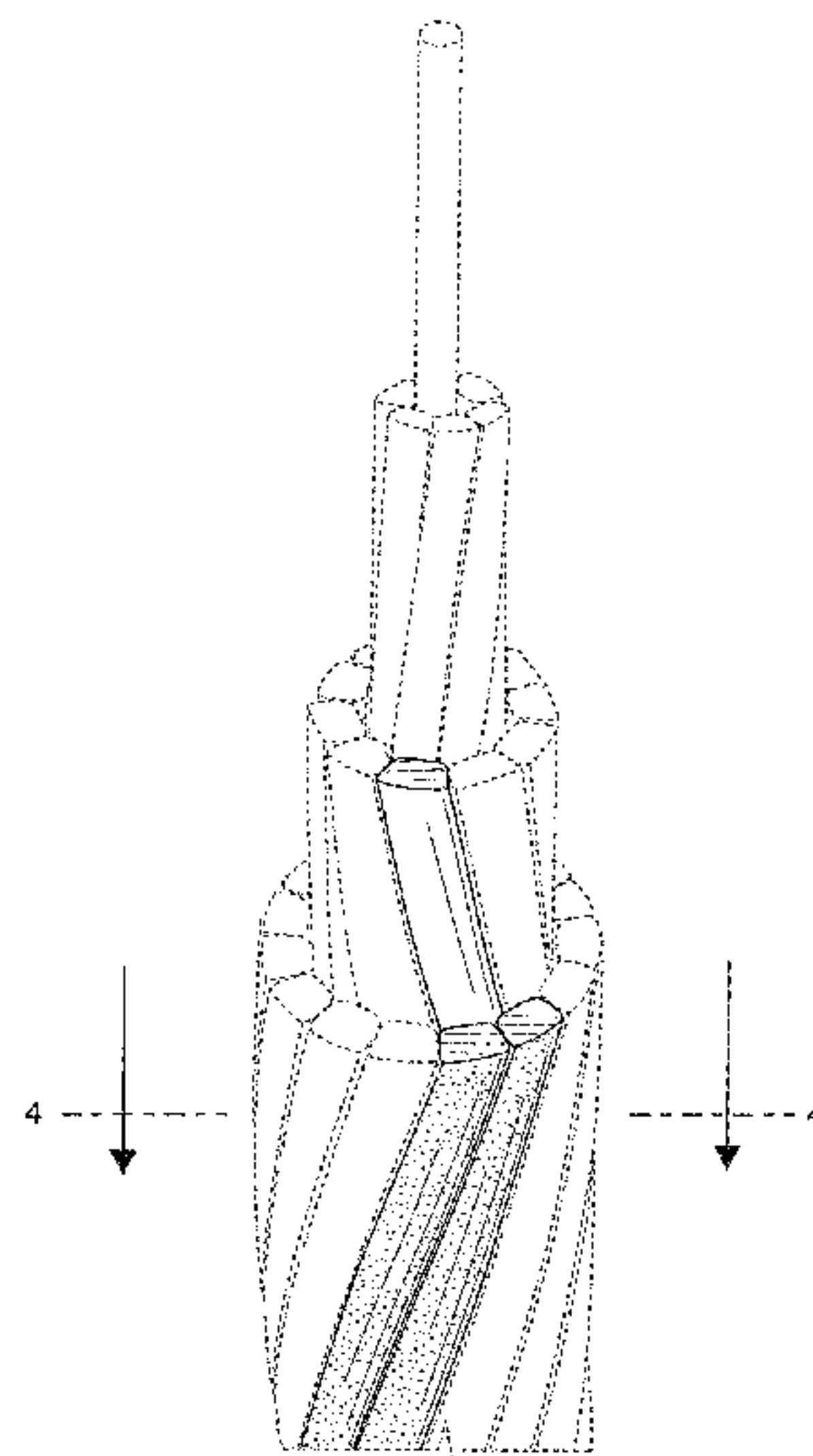
The ornamental design for an overhead transmission conductor cable, as shown and described.

DESCRIPTION

FIG. 1 is a perspective view of an overhead transmission conductor cable with cutaway layers according to a first embodiment;
FIG. 2 is a side view thereof;
FIG. 3 is an end view thereof; and
FIG. 4 is a sectional view of line 4-4 in FIG. 1;
FIG. 5 is a perspective view of an overhead transmission conductor cable with cutaway layers according to a second embodiment;
FIG. 6 is a side view thereof;
FIG. 7 is an end view thereof; and
FIG. 8 is a sectional view of line 8-8 in FIG. 5;
FIG. 9 is a perspective view of the sectional cut of an overhead transmission conductor cable with cutaway layers according to FIGS. 4 and 8;
FIG. 10 is a side view thereof; and,
FIG. 11 is an end view thereof.

In the drawings, the broken lines are for the purpose of illustrating environment only and form no part of the claimed design.

1 Claim, 11 Drawing Sheets



(56)

References Cited

U.S. PATENT DOCUMENTS

5,211,500 A * 5/1993 Takaki B22D 19/14
 403/269
 5,414,211 A * 5/1995 Chan H01B 7/2806
 156/51
 5,595,284 A * 1/1997 Takahashi B65G 15/36
 198/847
 6,216,554 B1 * 4/2001 Kimura F16C 1/10
 74/500.5
 6,828,501 B2 * 12/2004 Eves H01B 7/0266
 174/109
 7,554,038 B2 * 6/2009 Oga H01B 11/1008
 174/102 R
 7,650,742 B2 * 1/2010 Ushijima D07B 1/025
 57/238
 7,754,969 B2 * 7/2010 Kummer H01B 7/184
 174/102 D
 8,425,143 B2 * 4/2013 Kondo F16G 11/02
 403/368
 9,045,856 B2 * 6/2015 Hachisuka D07B 1/005
 2012/0005998 A1 * 1/2012 Noguchi B66B 7/06
 57/258
 2013/0318937 A1 * 12/2013 Takeuchi D07B 1/0686
 57/220

FOREIGN PATENT DOCUMENTS

CN 200990260 Y 12/2007
 CN 201087884 Y 7/2008
 CN 101261891 A 9/2008
 CN 101329928 A 12/2008
 CN 101464549 A 6/2009
 CN 01387755 Y 1/2010
 CN 01387759 Y 1/2010
 CN 2010-02-24 Y 2/2010
 CN 01402665 Y 2/2010
 CN 201413662 Y 2/2010
 CN 201556452 U 8/2010
 CN 201667222 U 12/2010
 CN 201788746 U 4/2011
 CN 201812560 U 4/2011
 CN 201820490 U 5/2011
 CN 201838364 U 5/2011
 CN 201859685 U 6/2011
 CN 02049792 U 11/2011
 CN 202110862 U 1/2012
 CN 202110872 U 1/2012
 CN 202153454 U 2/2012
 CN 102394131 A 3/2012

CN 202166765 U 3/2012
 CN 202183262 U 4/2012
 CN 102464904 A 5/2012
 CN 202268206 U 6/2012
 CN 02434258 U 9/2012
 CN 02434259 U 9/2012
 CN 02523472 U 11/2012
 CN 202549467 U 11/2012
 CN 202584864 U 12/2012
 CN 202584902 U 12/2012
 CN 202632858 U 12/2012
 CN 202650597 U 1/2013
 CN 202662363 U 1/2013
 CN 202677901 U 1/2013
 CN 202677953 U 1/2013
 CN 202720915 U 2/2013
 CN 202720951 U 2/2013
 CN 102982885 A 3/2013
 CN 202796206 U 3/2013
 CN 202796207 U 3/2013
 DE 3902842 A1 8/1990
 FR 2796656 A1 1/2001
 JP 10668721 A 3/1994
 JP 111117051 A 4/1994
 JP 106302227 A 10/1994
 JP 108111122 A 4/1996
 JP 10943467 A 2/1997
 JP 111160592 A 6/1999
 JP 111176241 A 7/1999
 JP 111332048 A 11/1999
 JP 2001084838 A 3/2001
 JP 2001095119 A 4/2001
 JP 001167645 A 6/2001
 JP M02117723 A 4/2002
 JP 2002345138 A 11/2002
 JP 003031029 A 1/2003
 JP 2003016841 A 1/2003
 JP 2004047181 A 2/2004
 JP 004095337 A 3/2004
 JP 2004362988 A 12/2004
 JP 009134896 A 6/2009
 JP 2010182470 A 8/2010
 JP 2010182537 A 8/2010
 JP 2011146232 A 7/2011
 JP 2012256454 A 12/2012
 KR 20120130857 A 12/2012
 RU 396617 C1 8/2010
 RU 2447525 C1 4/2012
 WO 2007034248 A1 3/2007
 WO 2008098811 A1 8/2008
 WO 2014025420 A1 2/2014
 WO 20140133898 A1 9/2014

* cited by examiner

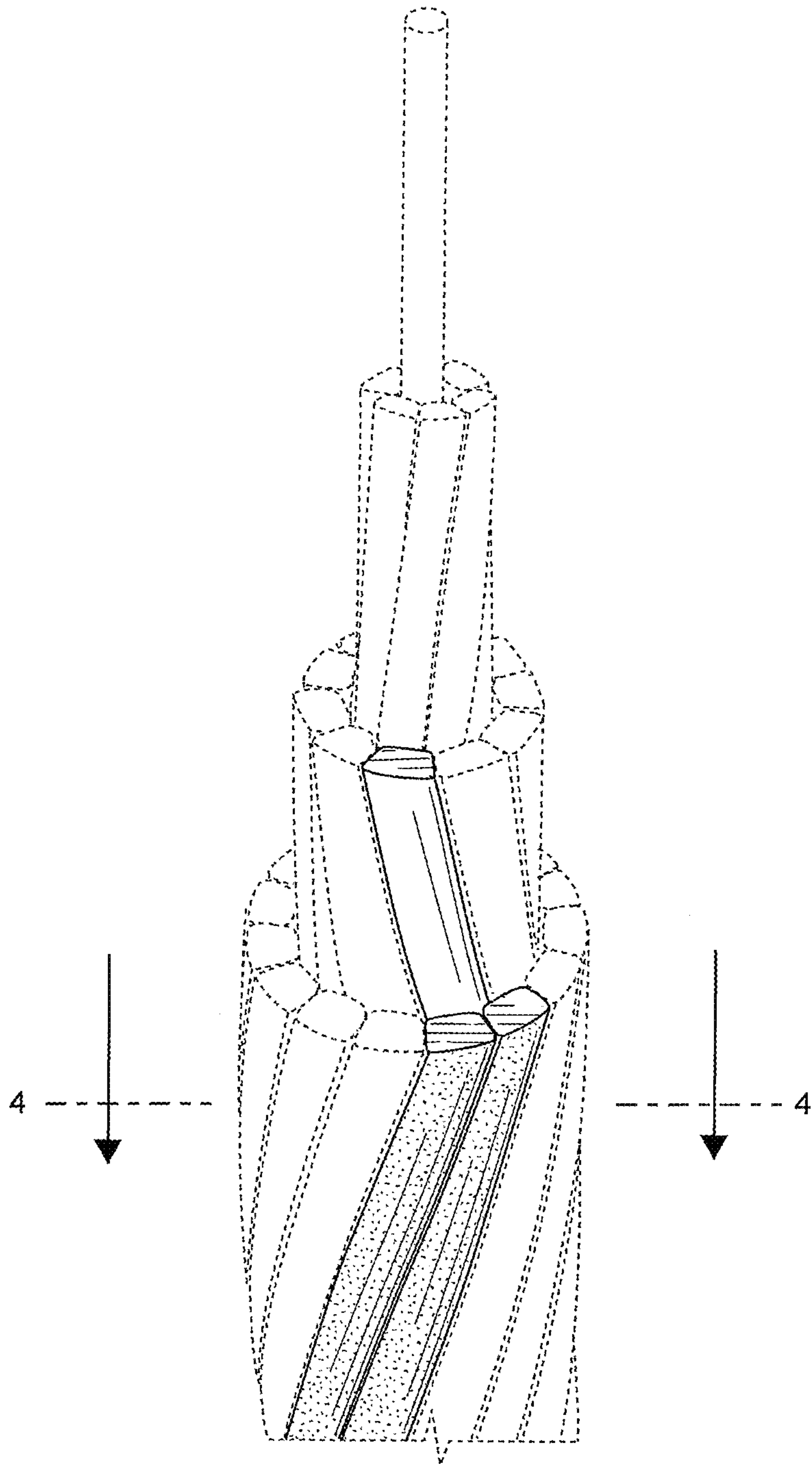


FIG.1

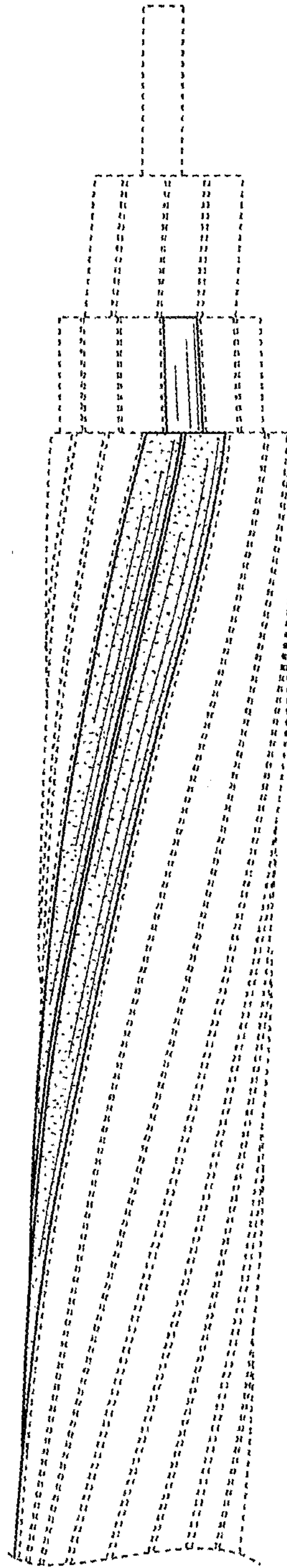


FIG.2

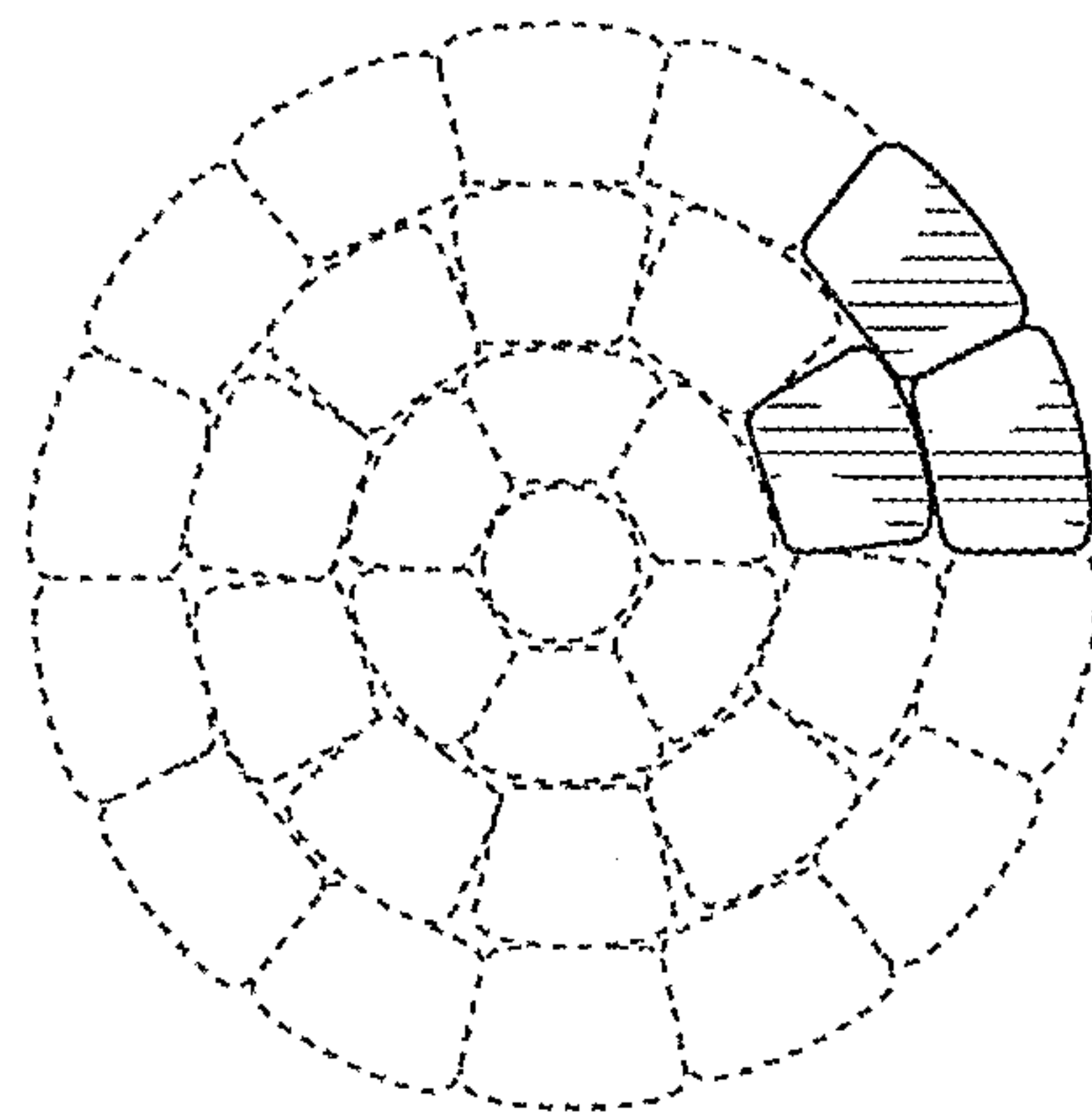


FIG.3

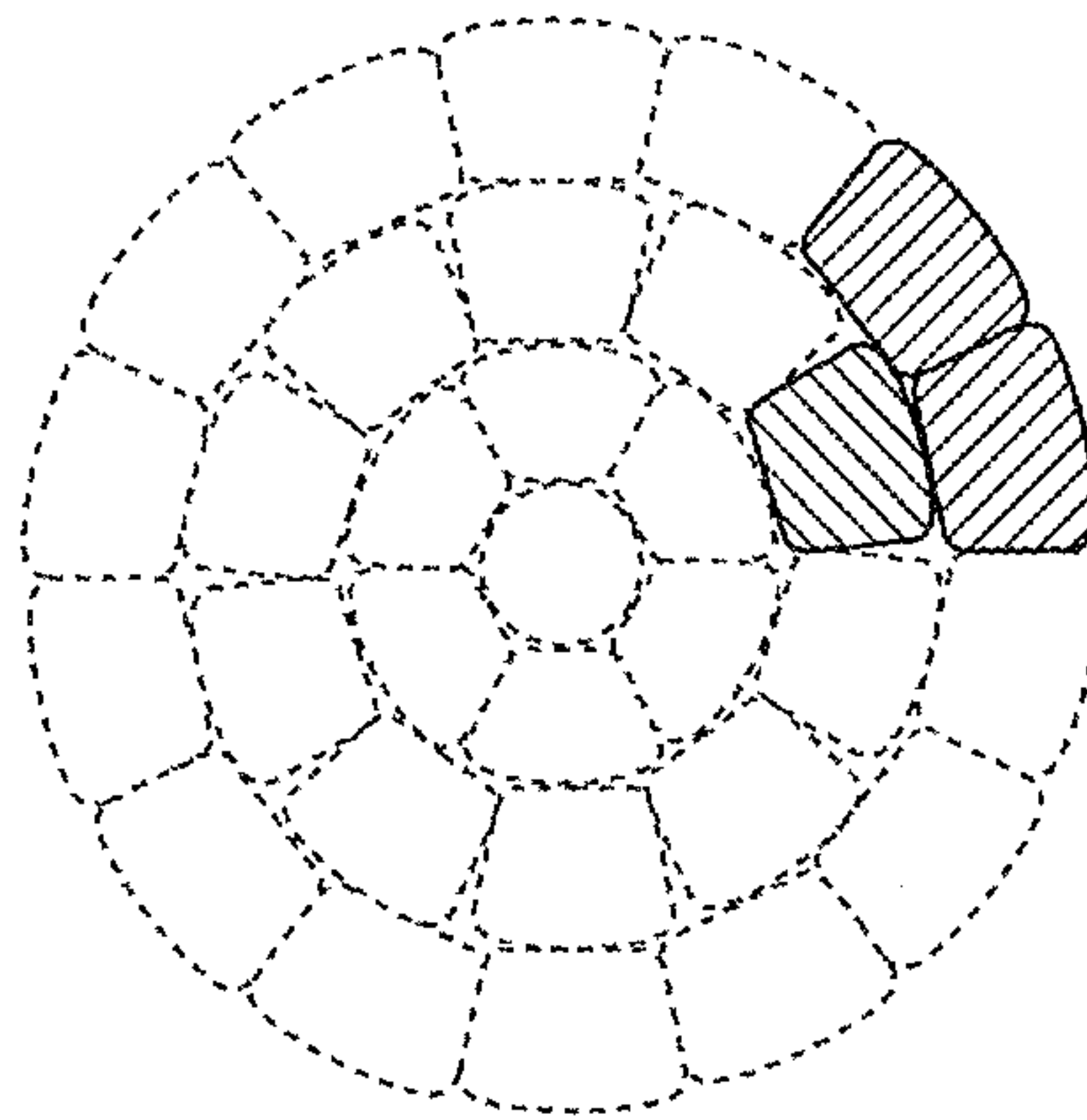


FIG.4

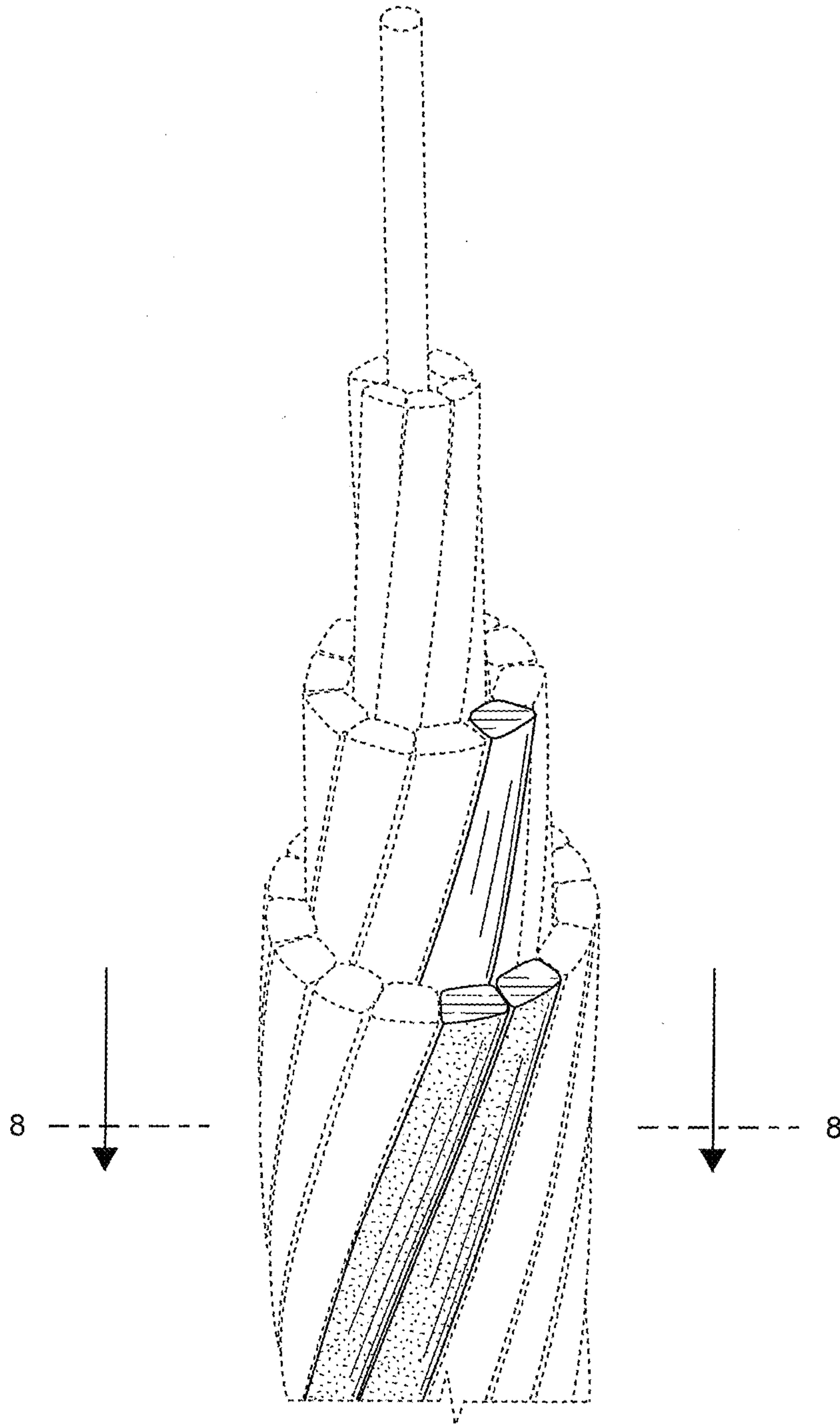


FIG.5

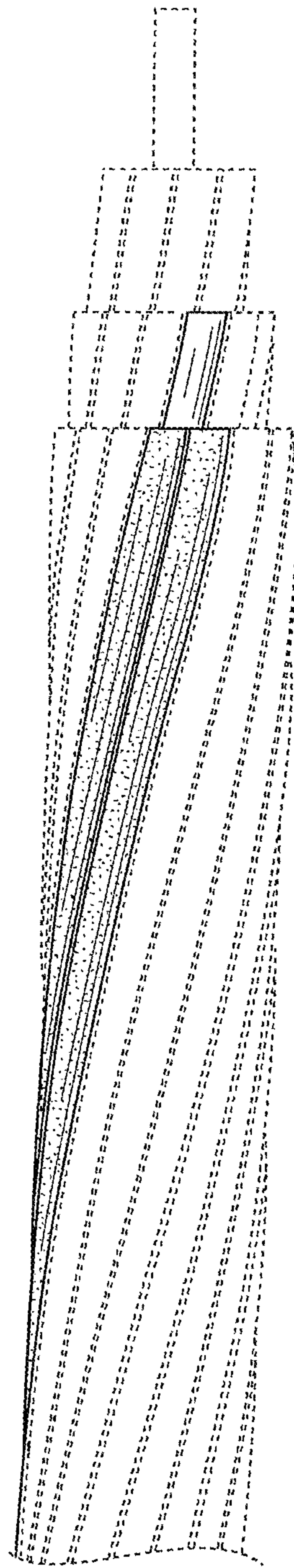


FIG.6

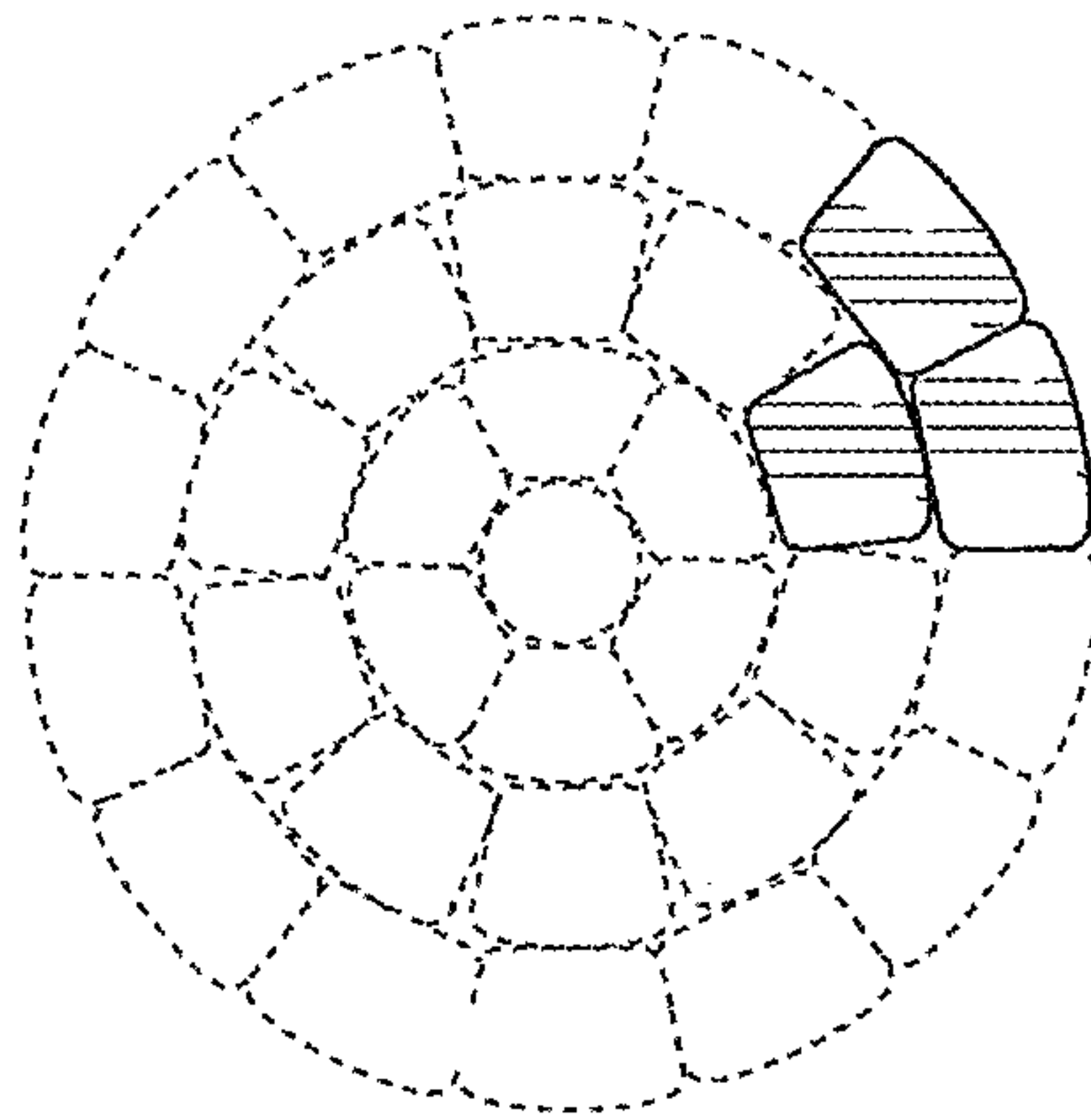


FIG. 7

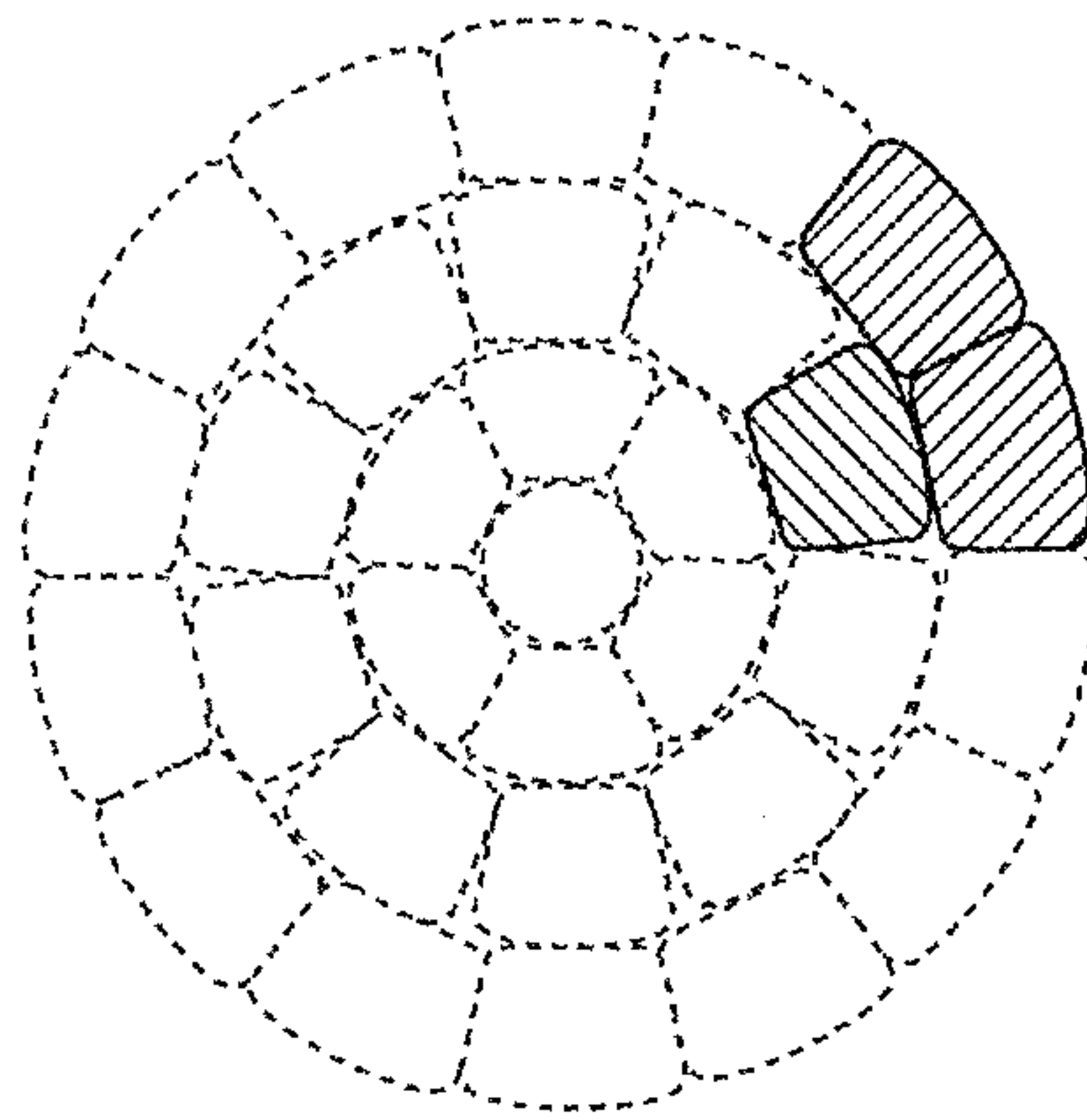


FIG. 8

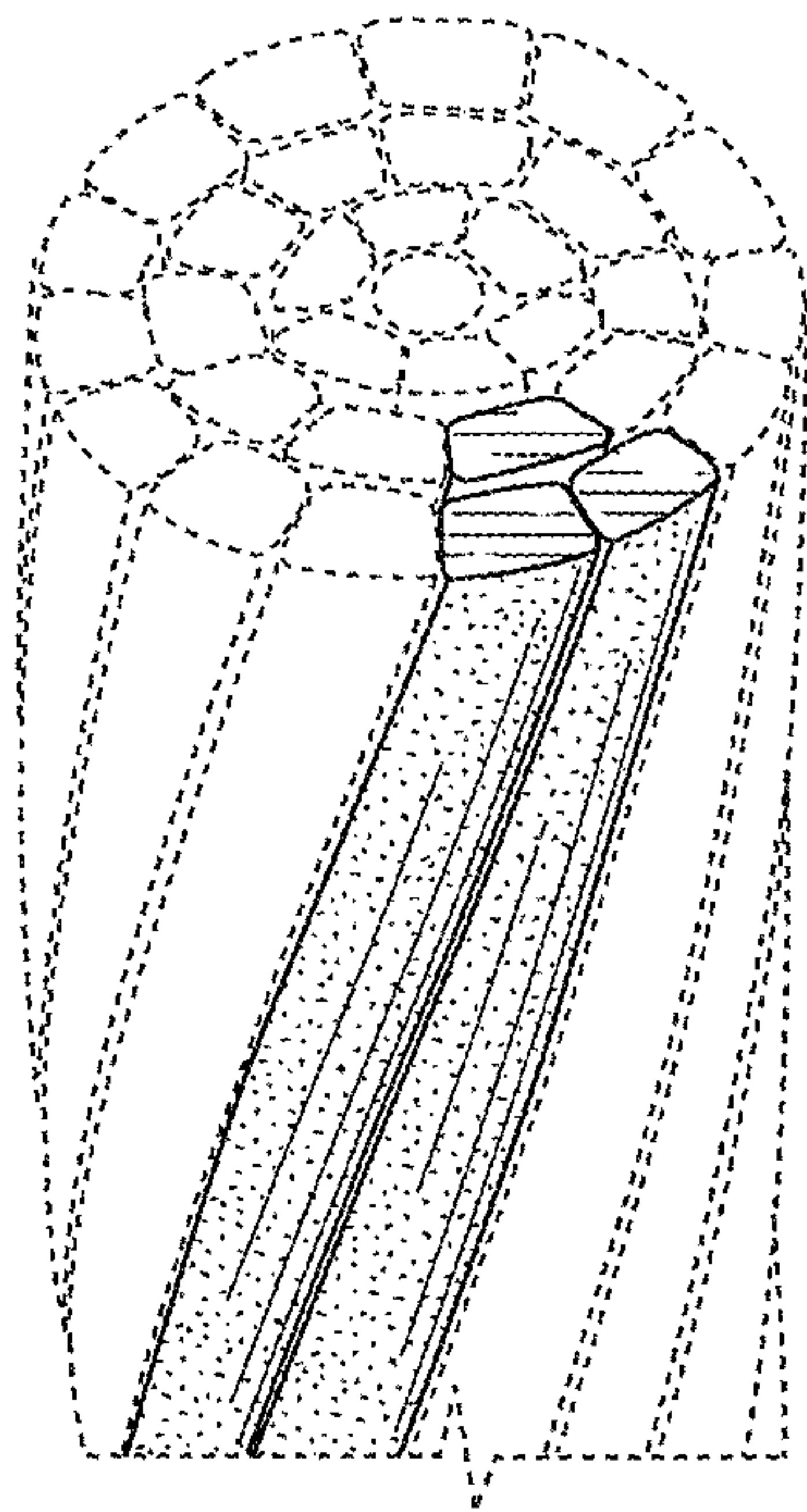


FIG.9

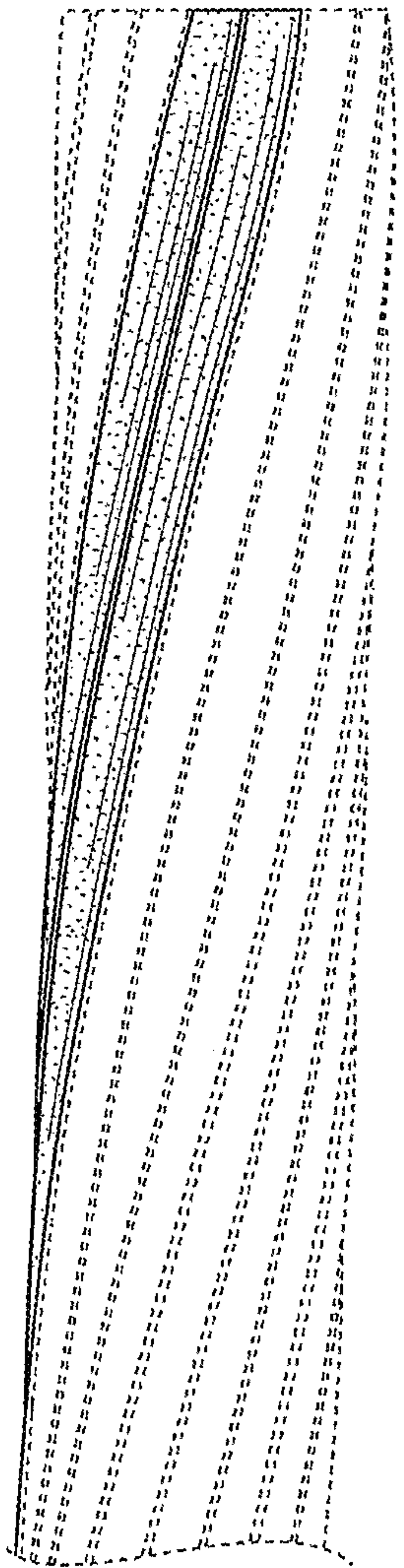


FIG.10

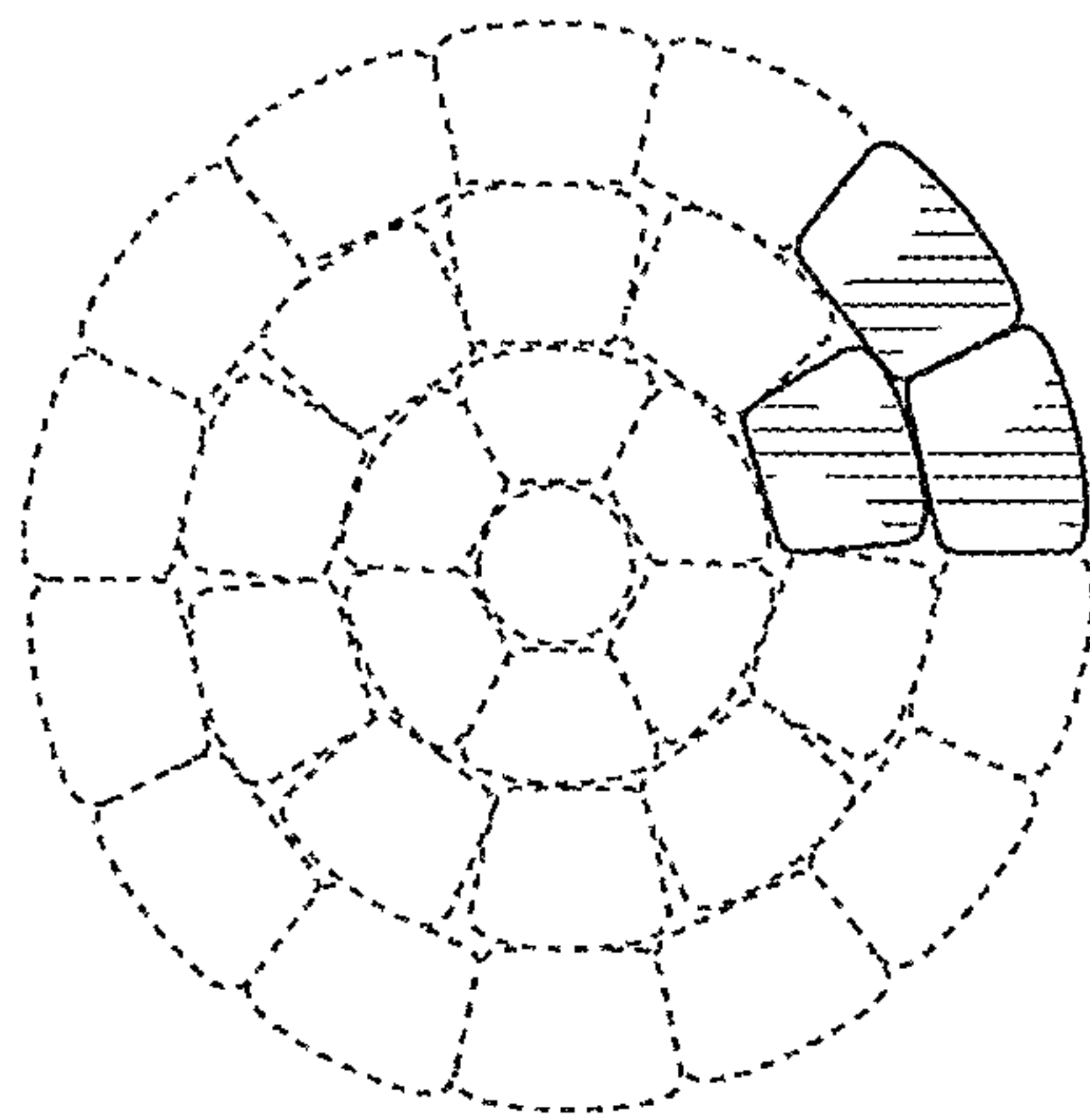


FIG. 11