



US00D779439S

(12) **United States Design Patent**
Suzuki

(10) **Patent No.:** **US D779,439 S**

(45) **Date of Patent:** **** Feb. 21, 2017**

(54) **JACK FOR AN ELECTRICAL CONNECTOR**

(71) Applicant: **SMK Corporation**, Tokyo (JP)

(72) Inventor: **Hiroshi Suzuki**, Ibaraki (JP)

(73) Assignee: **SMK Corporation**, Tokyo (JP)

(**) Term: **15 Years**

(21) Appl. No.: **29/542,045**

(22) Filed: **Oct. 9, 2015**

(30) **Foreign Application Priority Data**

Apr. 20, 2015 (JP) 2015-8873

(51) **LOC (10) Cl.** **13-03**

(52) **U.S. Cl.**
USPC **D13/147**

(58) **Field of Classification Search**
USPC D13/133, 146, 147, 154, 184, 199
CPC H01R 24/04; H01R 24/28; H01R 24/38;
H01R 24/58

See application file for complete search history.

(56) **References Cited**

U.S. PATENT DOCUMENTS

D460,238 S * 7/2002 Suzuki D34/31
D577,677 S * 9/2008 Li D13/133

D663,694 S * 7/2012 Fu D13/147
D719,917 S * 12/2014 Liu D13/147
2009/0149081 A1* 6/2009 Zhu H01R 12/57
439/668

* cited by examiner

Primary Examiner — Daniel Bui

(74) *Attorney, Agent, or Firm* — Mark Malek; Widerman Malek, PL

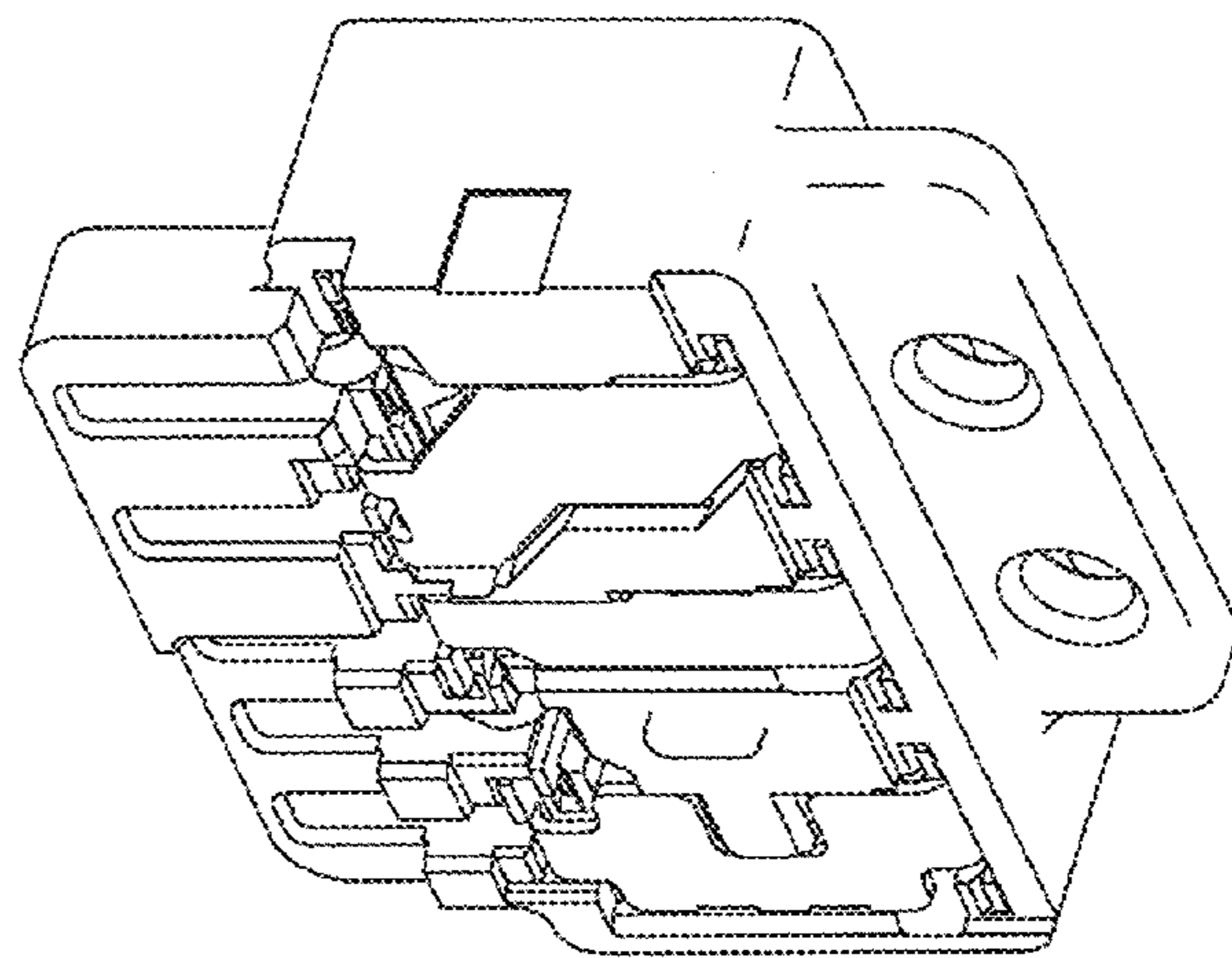
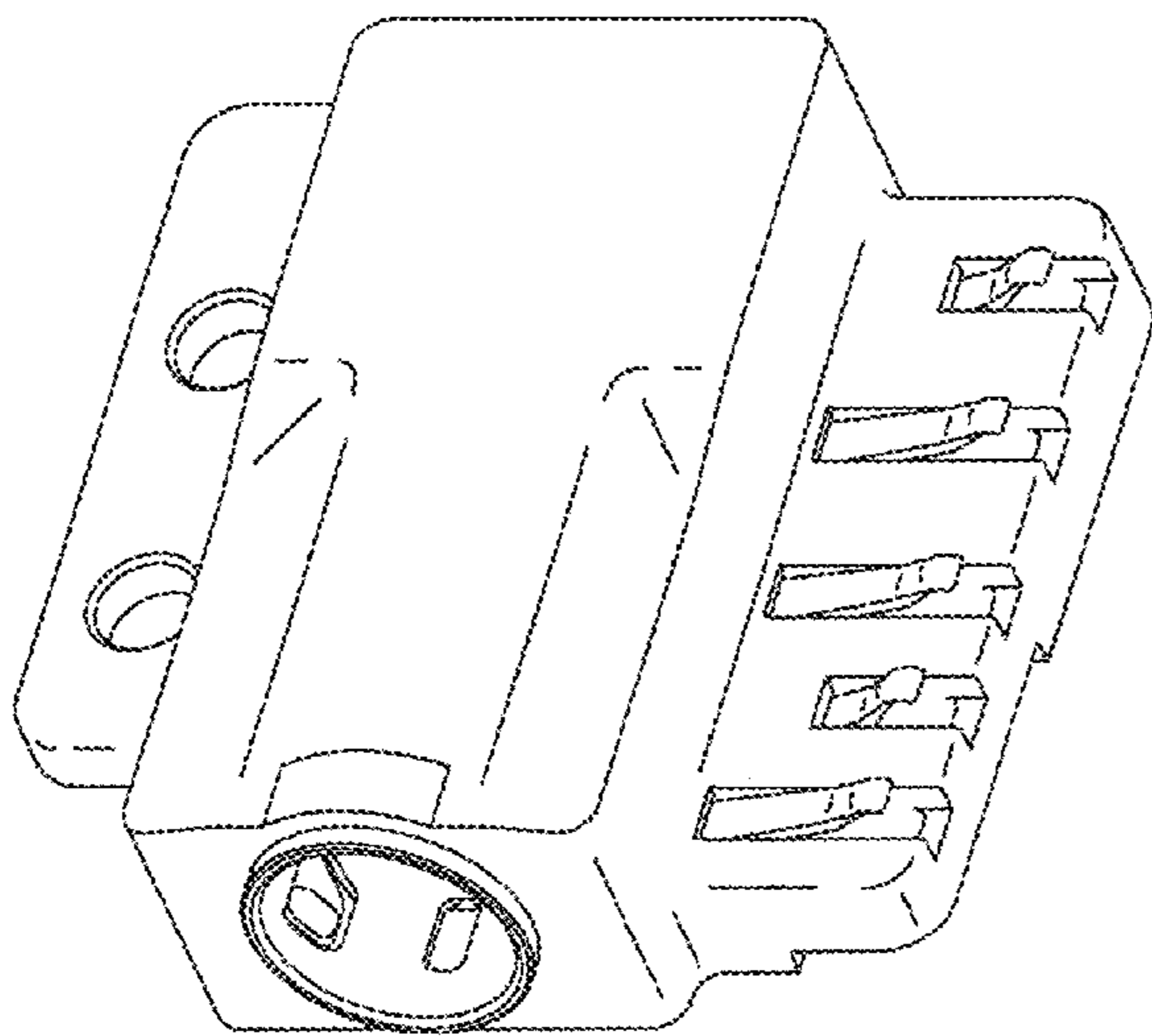
(57) **CLAIM**

The ornamental design for a jack for an electrical connector, as shown and described.

DESCRIPTION

FIG. 1 is a top, front and right side perspective view of a jack for an electrical connector showing my new design;
FIG. 2 is a bottom, rear and left side perspective view thereof;
FIG. 3 is a front elevation view thereof;
FIG. 4 is a top plan view thereof;
FIG. 5 is a right side elevation view thereof;
FIG. 6 is a left side elevation view thereof;
FIG. 7 is a rear elevation view thereof;
FIG. 8 is a bottom plan view thereof; and,
FIG. 9 is a cross sectional view thereof, taken along line "9-9" in FIG. 3.

1 Claim, 9 Drawing Sheets



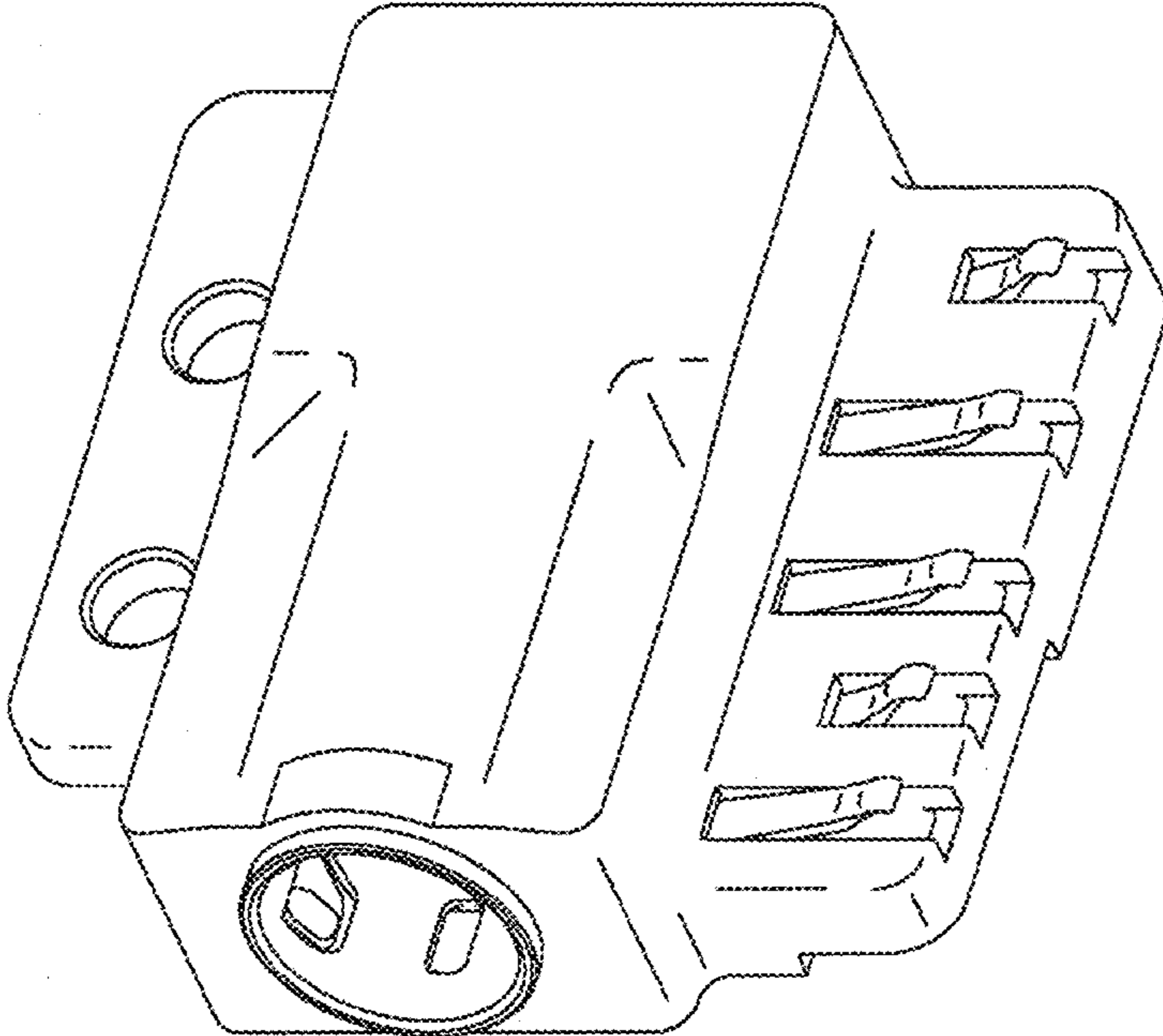


FIG. 1

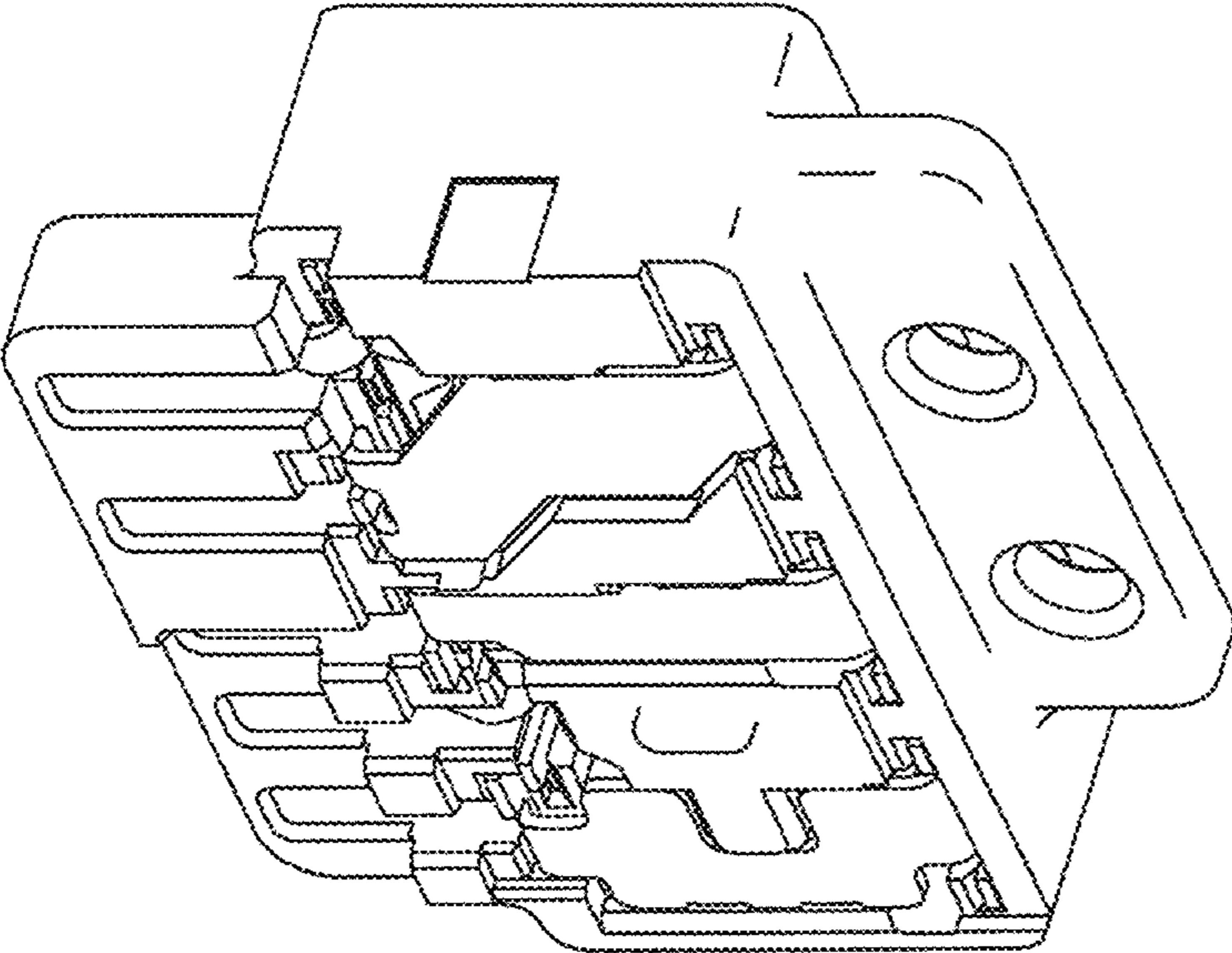


FIG. 2

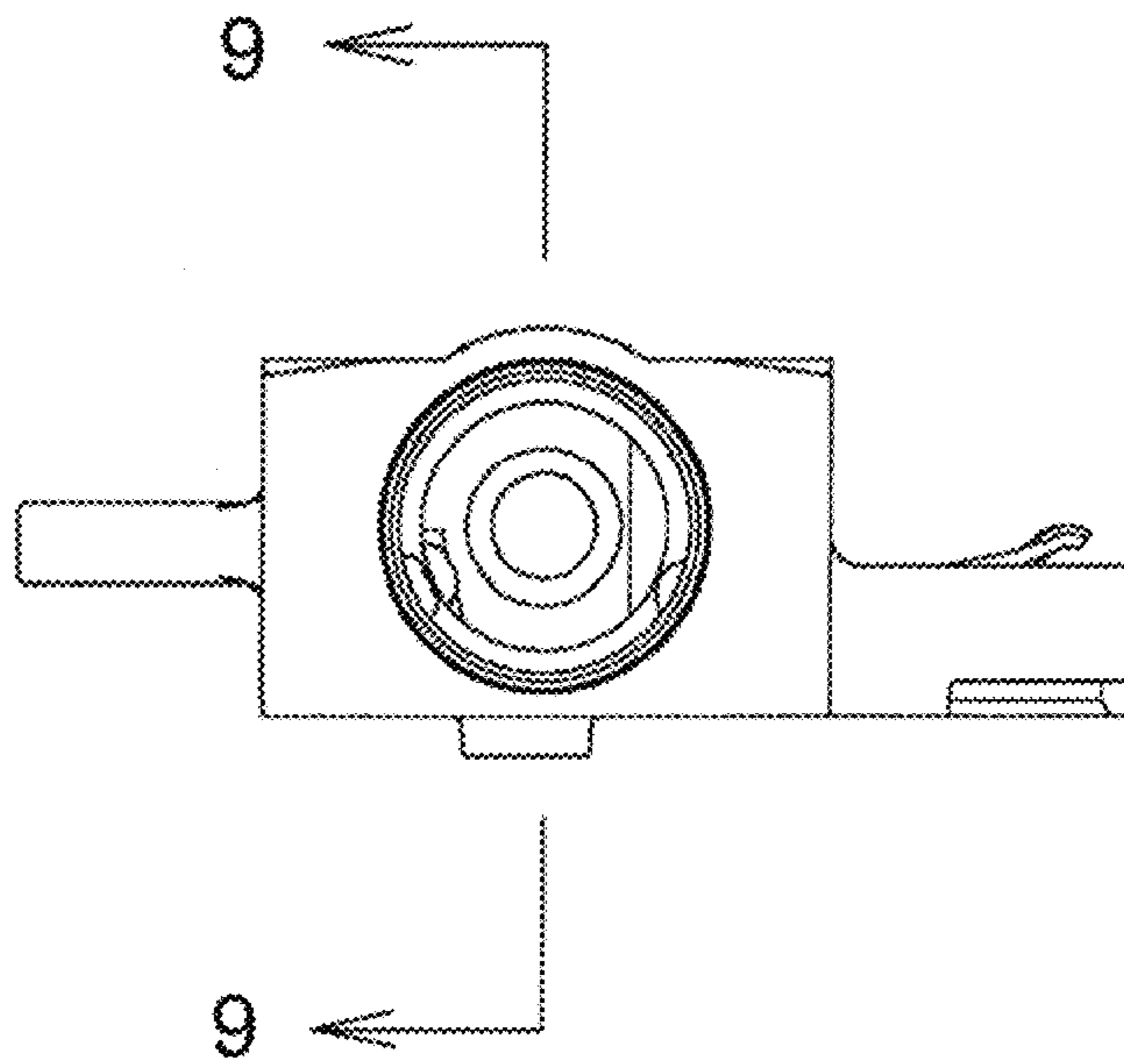


FIG. 3

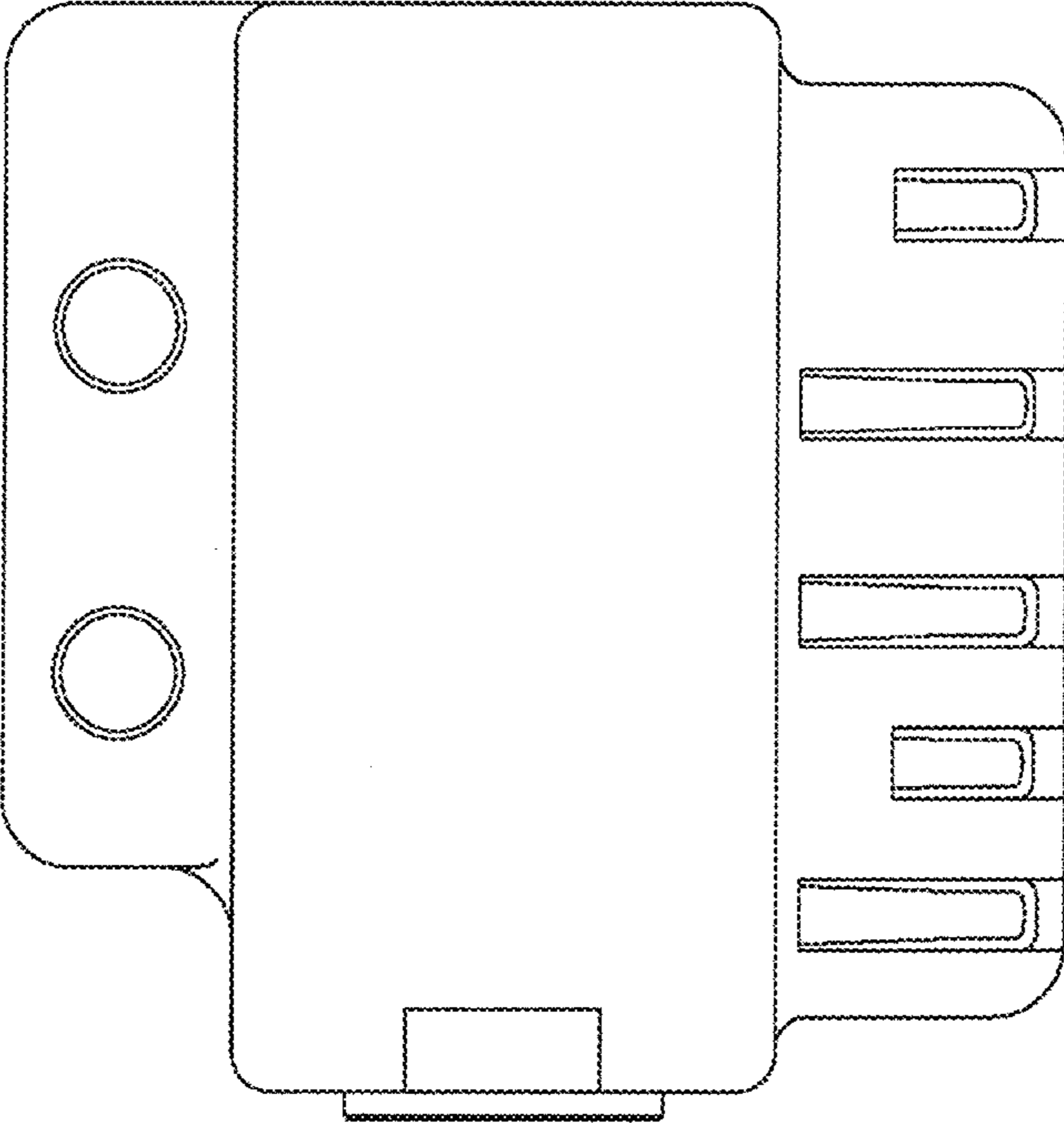


FIG. 4

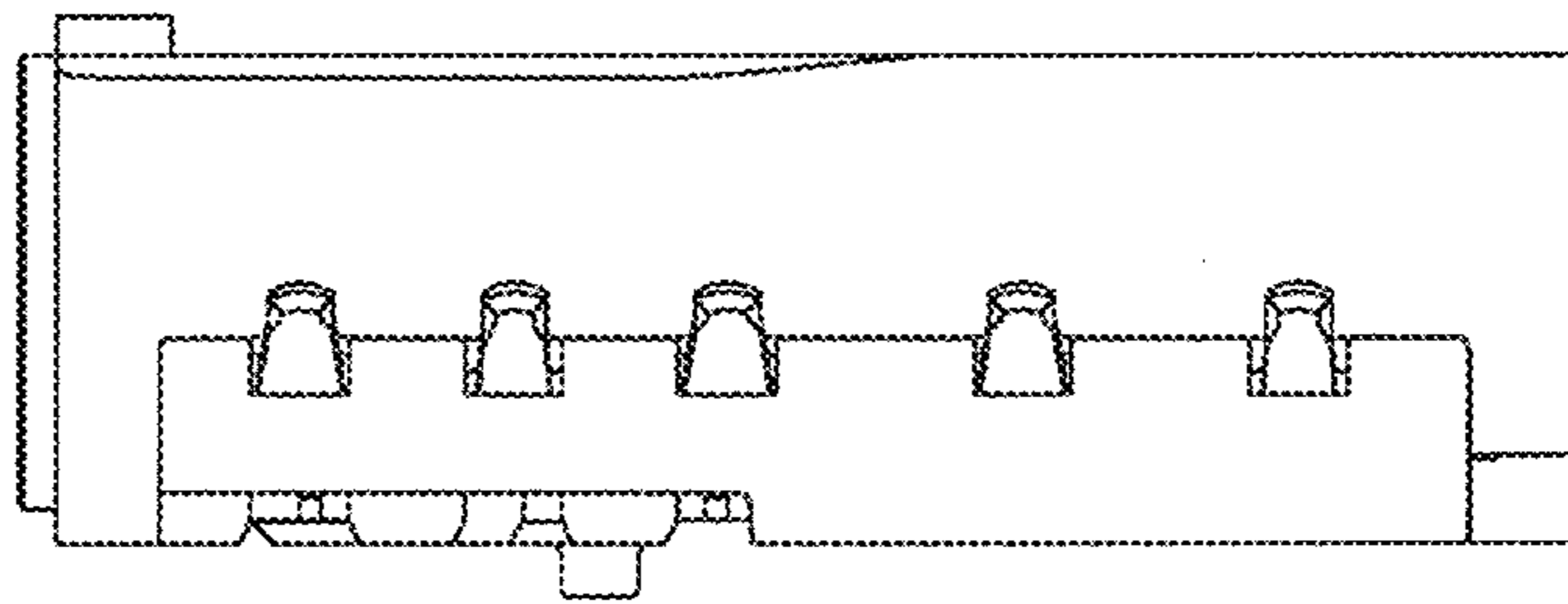


FIG. 5

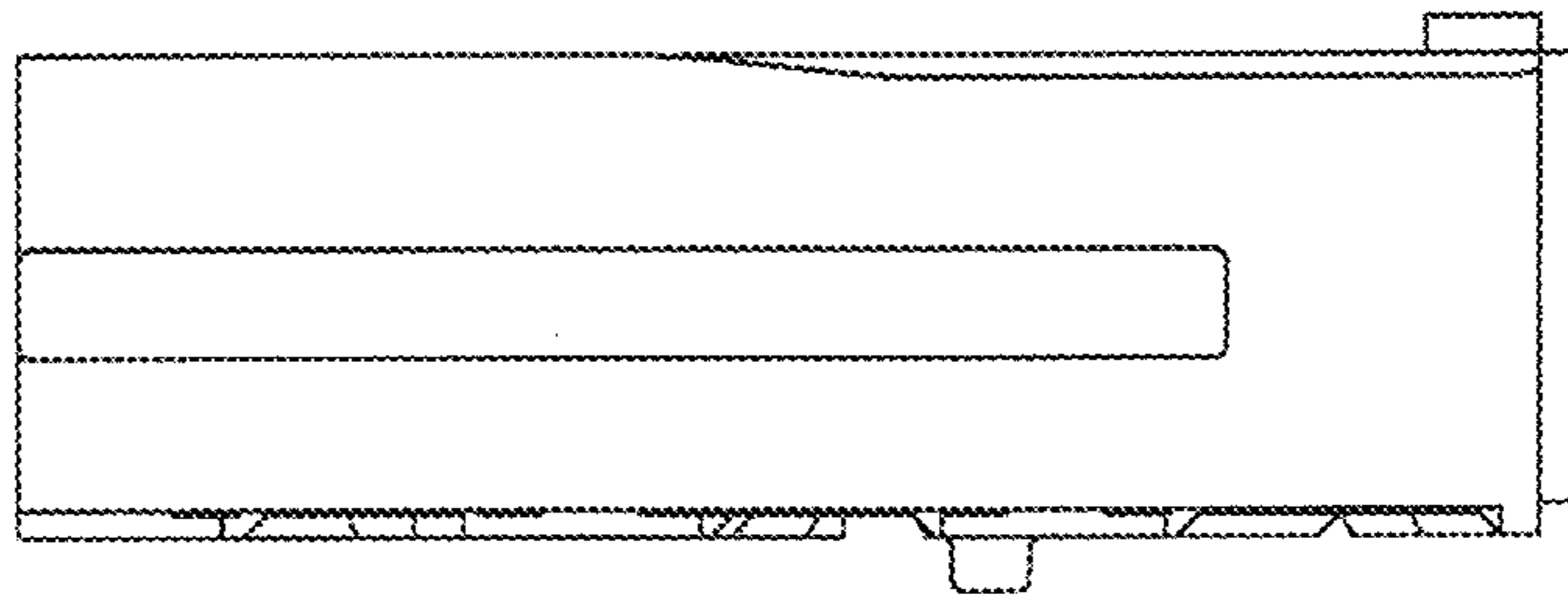


FIG. 6

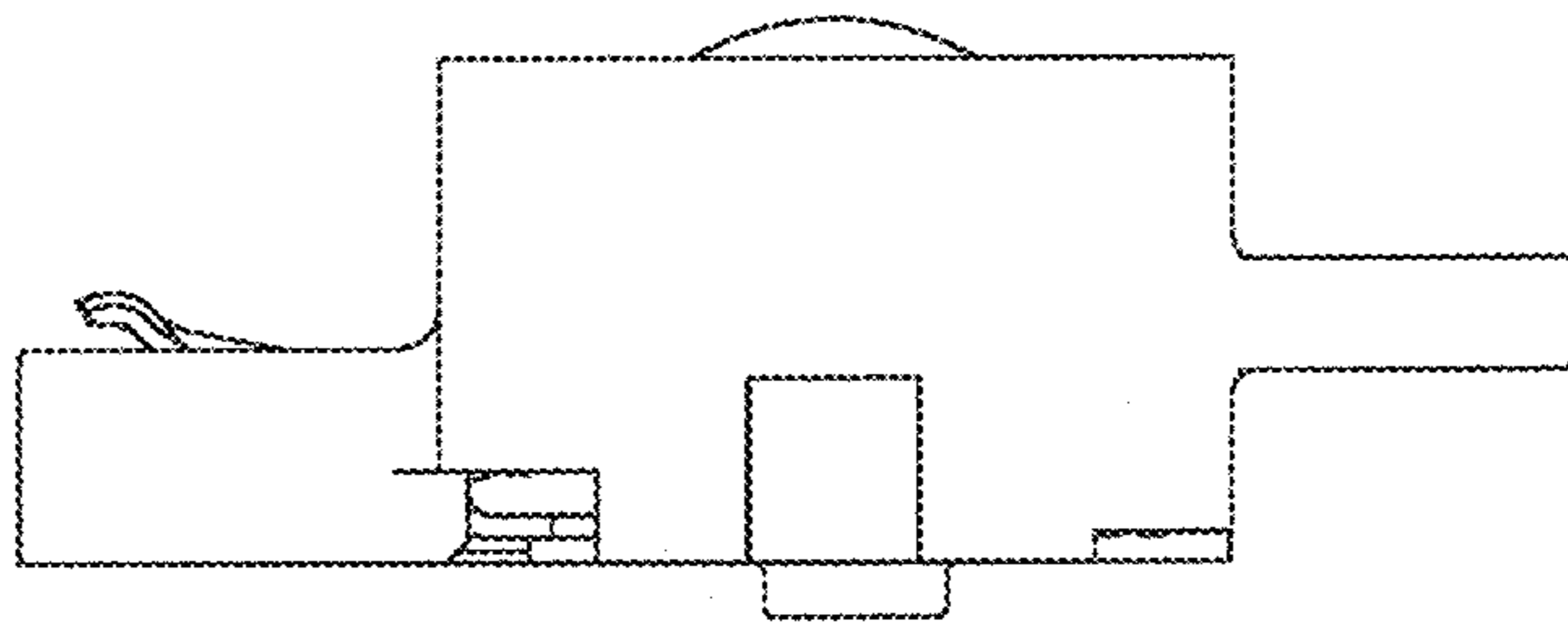


FIG. 7

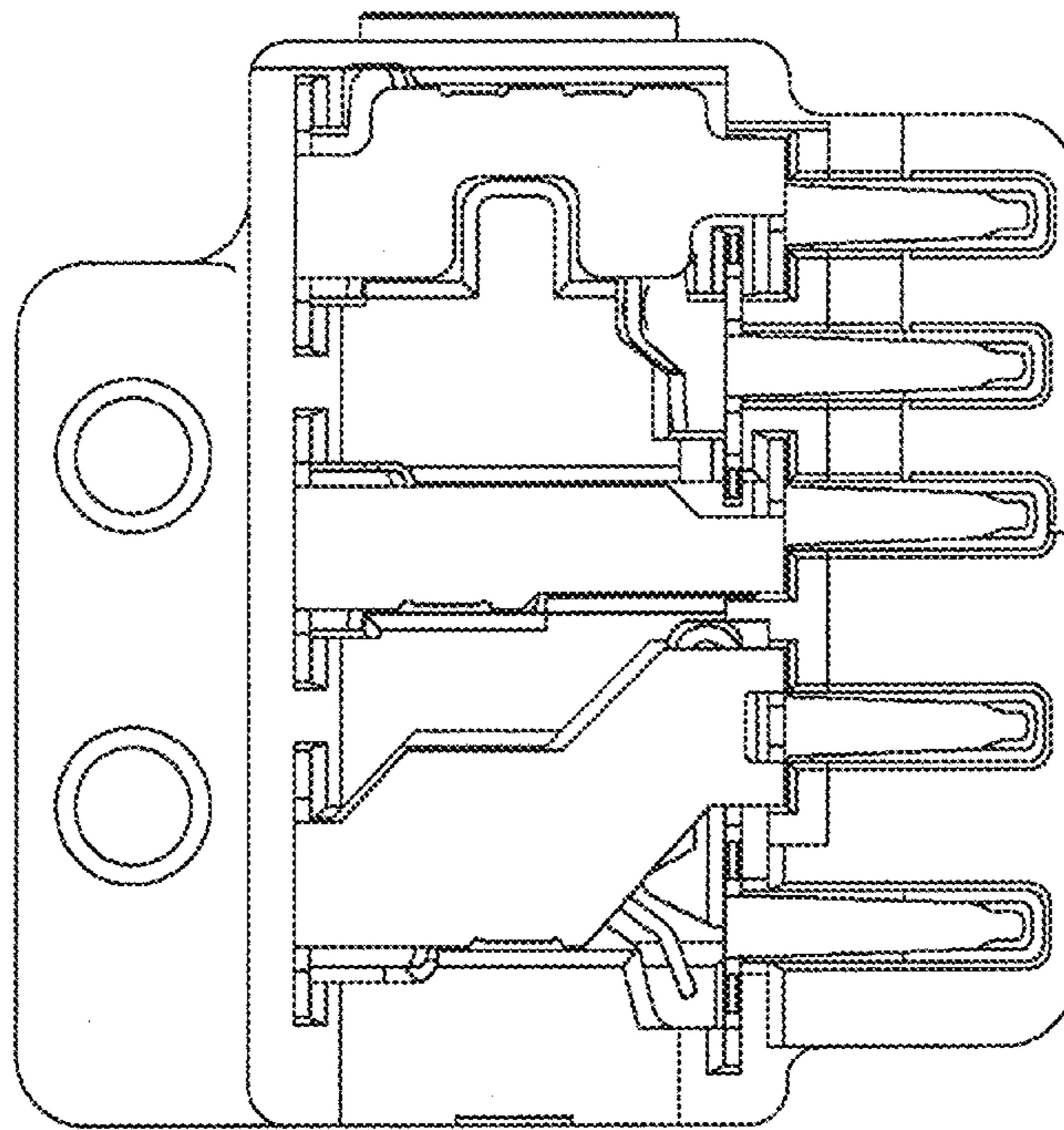


FIG. 8

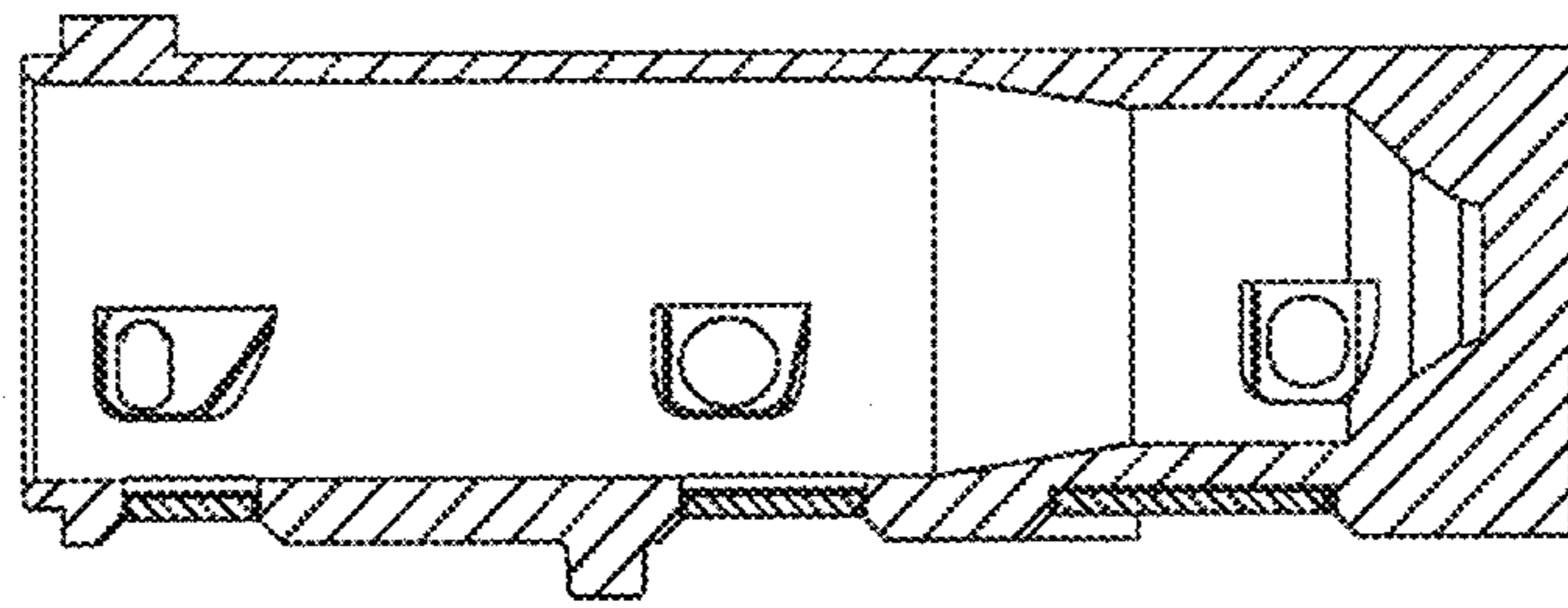


FIG. 9