



US00D779438S

(12) **United States Design Patent**
Chung et al.

(10) **Patent No.:** **US D779,438 S**

(45) **Date of Patent:** **** Feb. 21, 2017**

(54) **ELECTRICAL CONNECTOR**

(71) Applicant: **PHISON ELECTRONICS CORP.**,
Miaoli (TW)

(72) Inventors: **Hung-I Chung**, Hsinchu County (TW);
Wei-Hung Lin, Hsinchu County (TW)

(73) Assignee: **PHISON ELECTRONICS CORP.**,
Miaoli (TW)

(**) Term: **15 Years**

(21) Appl. No.: **29/531,027**

(22) Filed: **Jun. 23, 2015**

(30) **Foreign Application Priority Data**

May 13, 2015 (TW) 104302544

(51) **LOC (10) Cl.** **13-03**

(52) **U.S. Cl.**
USPC **D13/147**

(58) **Field of Classification Search**
USPC D13/123, 133, 146, 147, 154, 184, 199
CPC H05K 1/02; H01L 23/04; H01L 23/498;
H01L 25/00; H01L 25/18; H01L 29/16;
H01L 29/20; H01L 29/40

See application file for complete search history.

(56) **References Cited**

U.S. PATENT DOCUMENTS

3,803,533 A * 4/1974 Taplin H01R 12/7005
439/328
D469,407 S * 1/2003 Wu D13/147

D498,210 S * 11/2004 Zhang D13/147
D543,152 S * 5/2007 Sato D13/147
D609,185 S * 2/2010 Yuan D13/147
D627,738 S * 11/2010 Luo D13/147

* cited by examiner

Primary Examiner — Daniel Bui

(74) *Attorney, Agent, or Firm* — Jianq Chyun IP Office

(57) **CLAIM**

The ornamental design for an electrical connector, as shown and described.

DESCRIPTION

FIG. 1 is a perspective view of an electrical connector of our new design;

FIG. 2 is a front view of the electrical connector;

FIG. 3 is a rear view of the electrical connector;

FIG. 4 is a left view of the electrical connector;

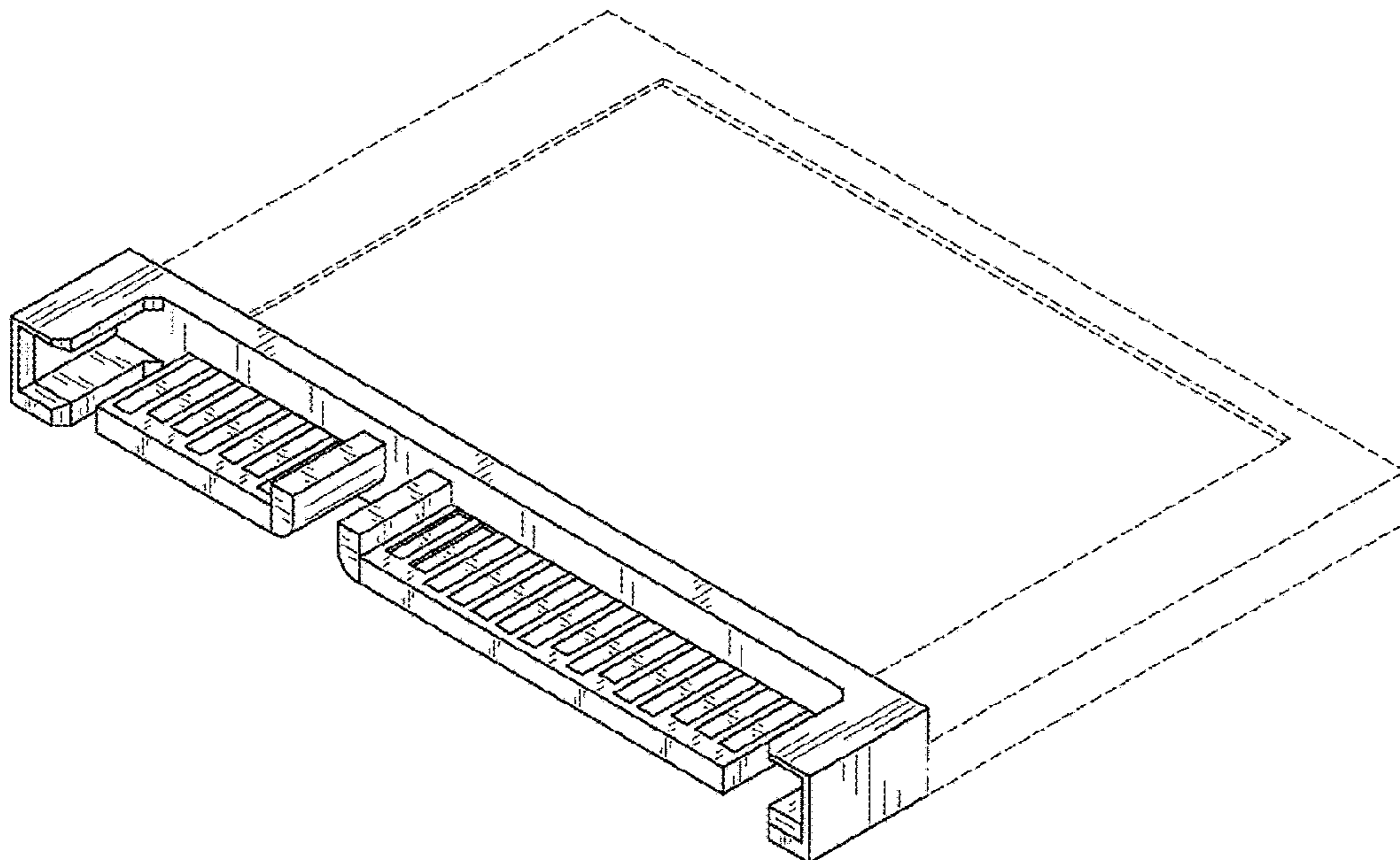
FIG. 5 is a right view of the electrical connector;

FIG. 6 is a top view of the electrical connector; and,

FIG. 7 is a bottom view of the electrical connector.

The dash-dash lines showing portions of the electrical connector represent unclaimed portions of the claimed design and form no part of the claimed design. The dot-dash lines illustrate the boundaries of the claimed design and form no part of the claimed design.

1 Claim, 4 Drawing Sheets



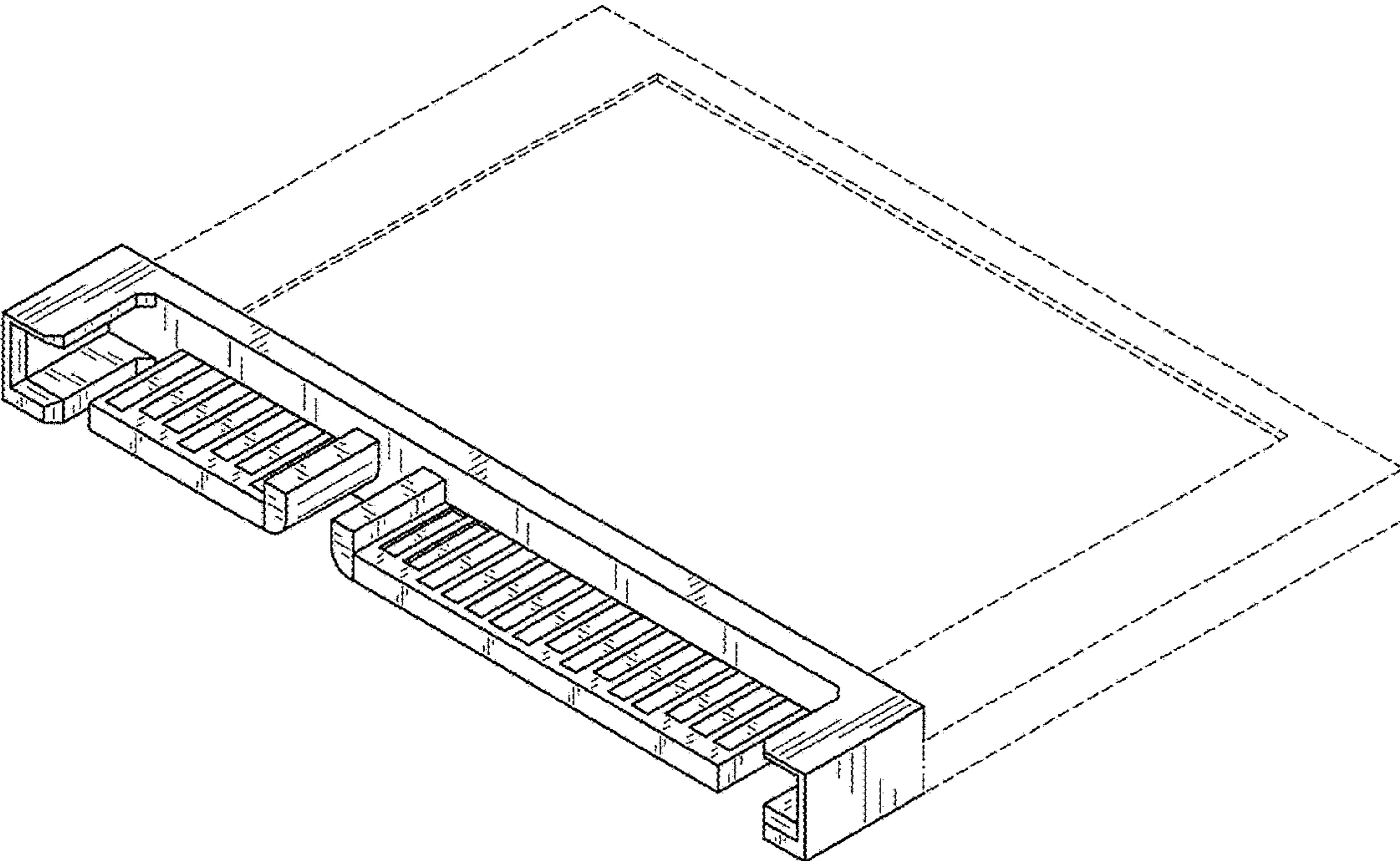


FIG. 1

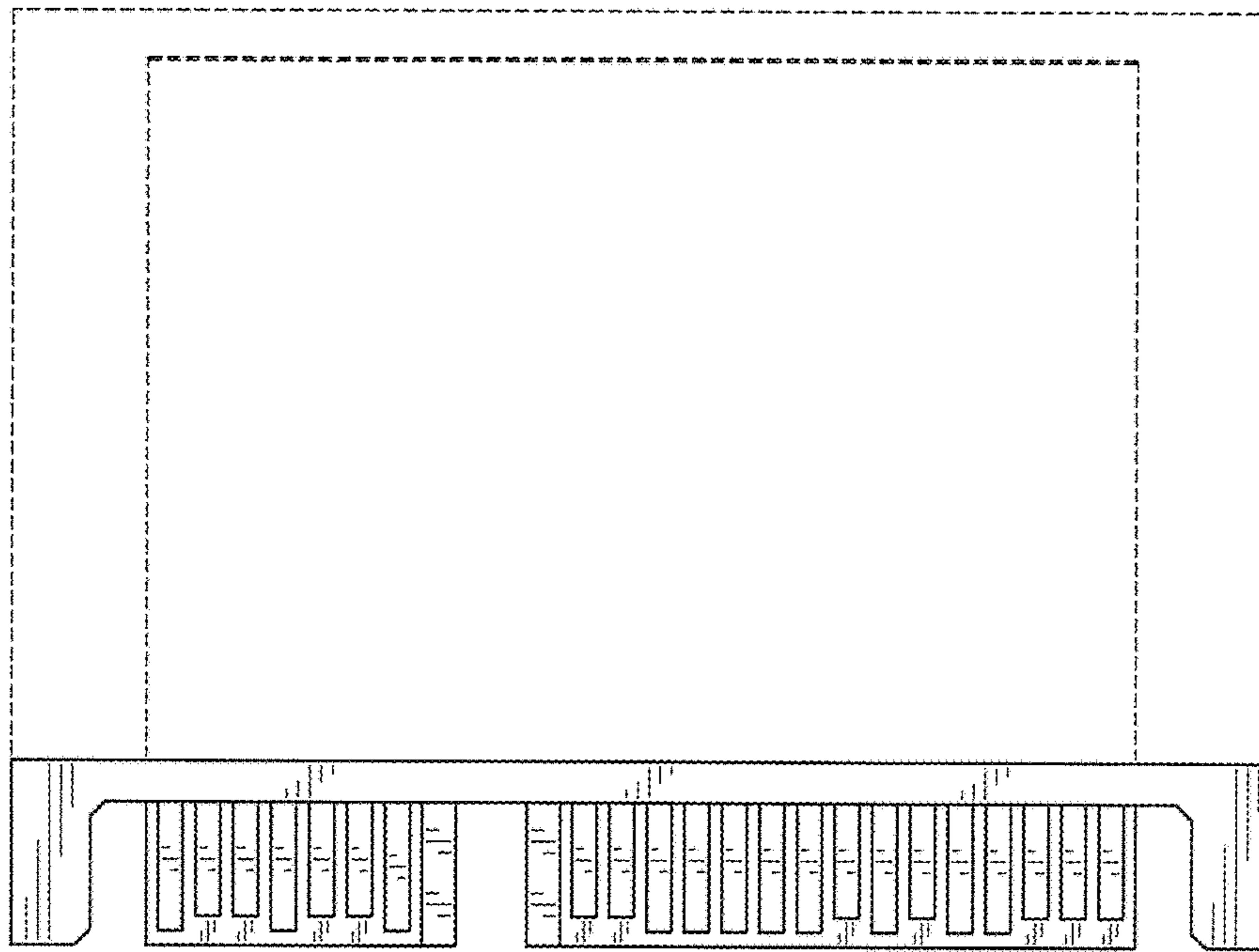


FIG. 2

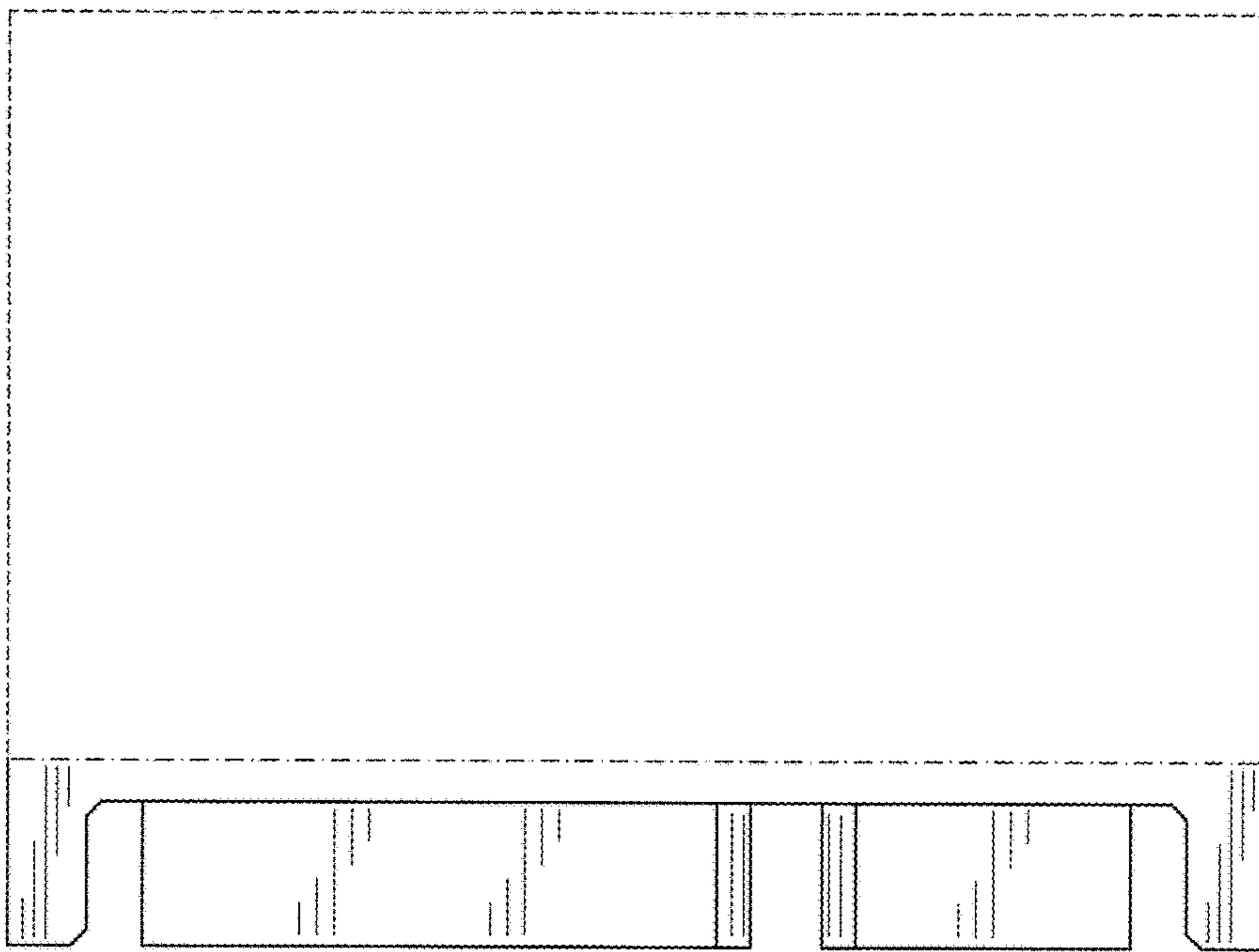


FIG. 3

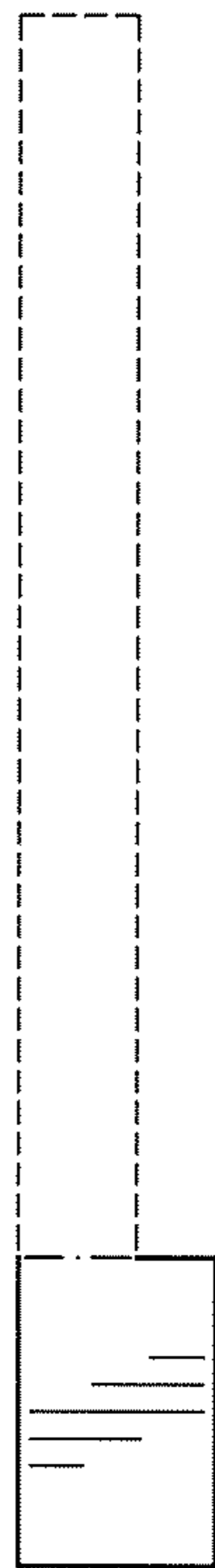


FIG. 4

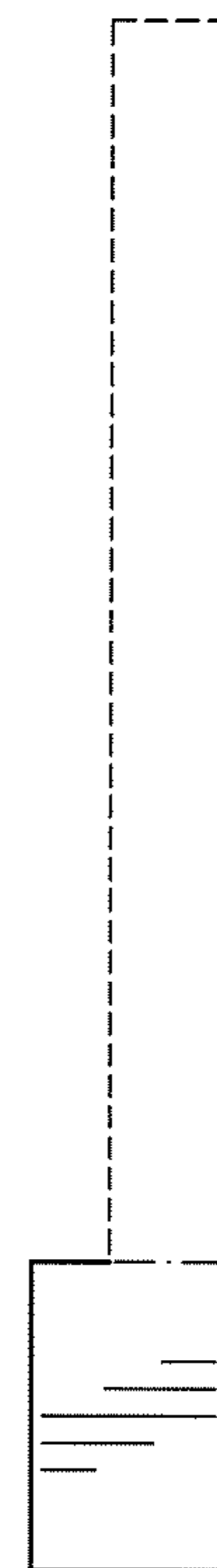


FIG. 5

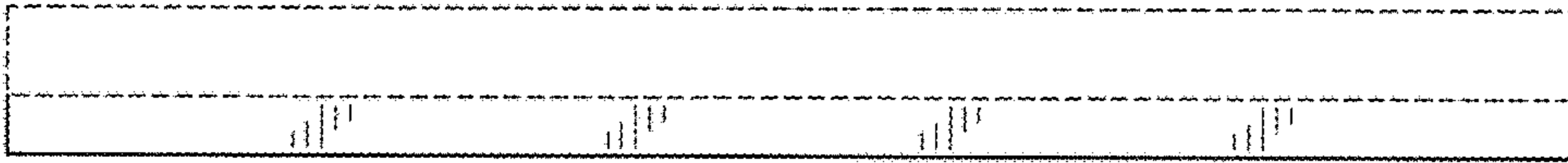


FIG. 6

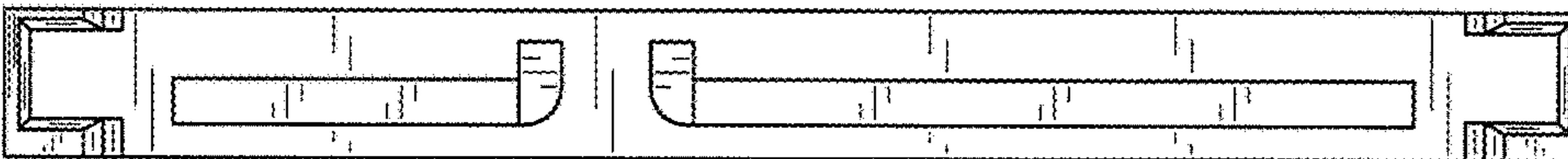


FIG. 7