



US00D779435S

(12) **United States Design Patent** (10) **Patent No.:** **US D779,435 S**
Callahan et al. (45) **Date of Patent:** **** Feb. 21, 2017**

(54) **WALL GROMMET**

4,424,407 A 1/1984 Barbic
4,675,937 A * 6/1987 Mitomi F16B 9/00
16/2.1

(71) Applicant: **The Wiremold Company**, West
Hartford, CT (US)

4,828,513 A 5/1989 Morrison et al.
(Continued)

(72) Inventors: **Daron Callahan**, New Britain, CT
(US); **Peter M. Schneider**, North
Richland Hills, TX (US); **David Singer**,
Austin, TX (US); **Kenneth J. Buras**,
Spring, TX (US)

Primary Examiner — Rhea Shields
(74) *Attorney, Agent, or Firm* — McCormick, Paulding &
Huber LLP

(73) Assignee: **The Wiremold Company**, West
Hartford, CT (US)

(57) **CLAIM**

(**) Term: **15 Years**

The ornamental design for a wall grommet, as shown and
described.

(21) Appl. No.: **29/564,144**

(22) Filed: **May 11, 2016**

DESCRIPTION

Related U.S. Application Data

(63) Continuation of application No. 14/180,930, filed on
Feb. 14, 2014, which is a continuation of application
No. 13/247,573, filed on Sep. 28, 2011, now Pat. No.
8,651,460.

FIG. 1 is a front, top, right side perspective view of a wall
grommet assembly comprising a new, original and ornamen-
tal design;

(51) **LOC (10) Cl.** **13-03**

(52) **U.S. Cl.**
USPC **D13/139.4**

FIG. 2 is a front view thereof;
FIG. 3 is a right side view thereof;
FIG. 4 is a left side view thereof;

(58) **Field of Classification Search**

USPC D13/139.1–139.8, 184, 152, 110, 108,
D13/147, 133, 162, 156; D8/356; 16/2.1;
254/134.3 R; 439/131, 571; 174/50, 483,
174/488, 484, 47, 482

FIG. 5 is a front, top, right side perspective view of a bottom
wall grommet comprising a new, original and ornamental
design;

CPC H01R 13/447; H02J 7/0042; H02G 3/22;
H02G 3/185; H02G 3/12

FIG. 6 is a front view thereof;
FIG. 7 is a right side view thereof;
FIG. 8 is a left side view thereof;

See application file for complete search history.

FIG. 9 is a front, top, right side perspective view of a top
wall grommet comprising a new, original and ornamental
design;

(56) **References Cited**

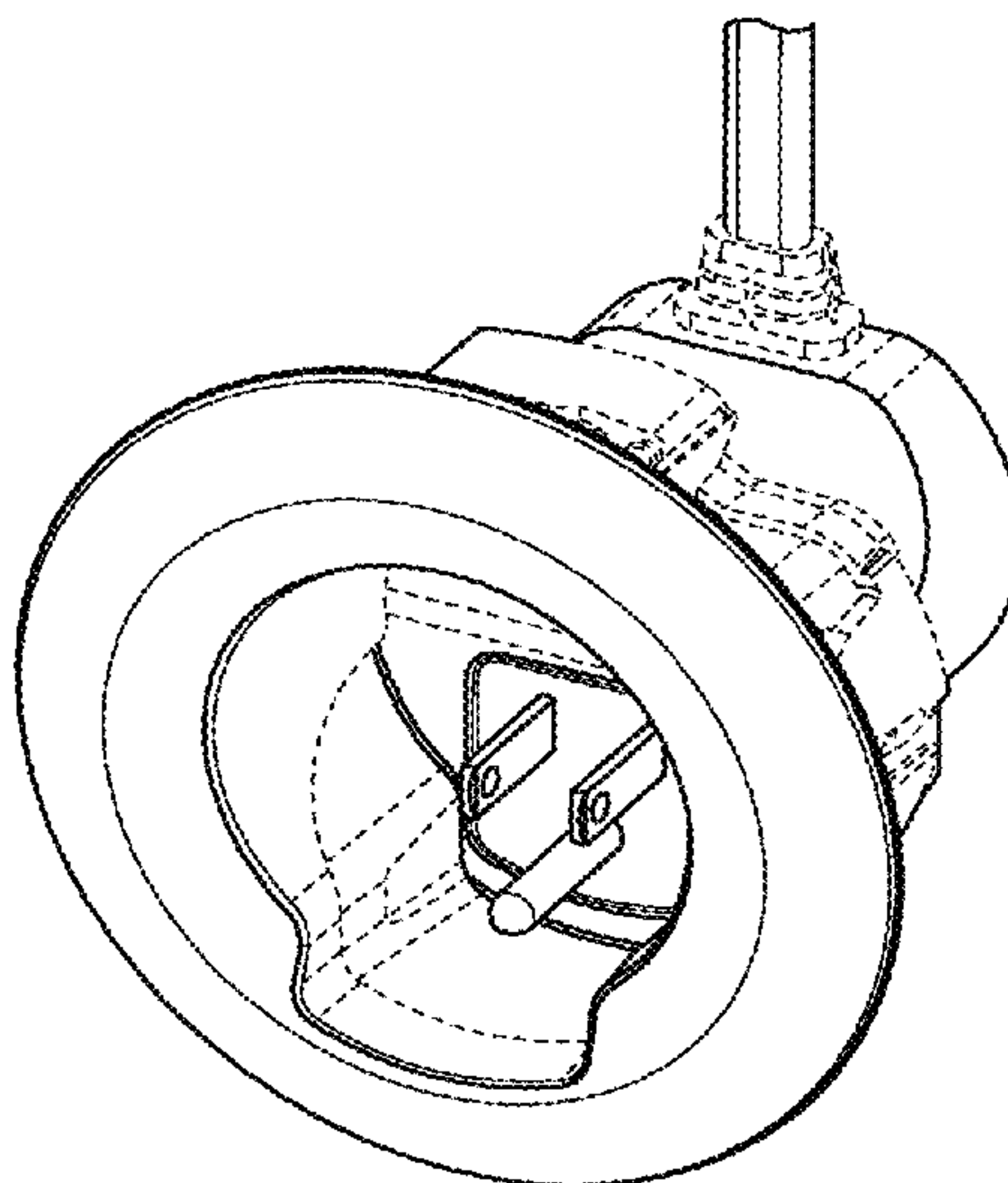
U.S. PATENT DOCUMENTS

3,509,356 A 4/1970 Peebles
3,956,573 A * 5/1976 Myers H02G 3/185
174/488

FIG. 10 is a front view thereof;
FIG. 11 is a right side view thereof; and,
FIG. 12 is a left side view thereof.

In the drawings, the broken lines are for the purpose of
illustrating environment only and form no part of the
claimed design.

1 Claim, 6 Drawing Sheets



(56)

References Cited

U.S. PATENT DOCUMENTS

4,928,349 A * 5/1990 Oikawa F16L 5/02
16/2.1
5,007,857 A 4/1991 Wright
5,453,579 A 9/1995 Cohea
5,886,300 A 3/1999 Strickler
D409,567 S 5/1999 Carmo et al.
6,417,446 B1 * 7/2002 Whitehead H02G 3/185
174/484
6,518,498 B1 * 2/2003 Bonilla H02G 3/22
174/47
D484,097 S * 12/2003 Drane D13/139.4
D489,329 S 5/2004 Shatkin
D492,652 S 7/2004 McCoy
6,774,307 B2 8/2004 Kruse et al.
6,815,615 B1 * 11/2004 Haulotte B60R 16/0222
16/2.1
6,963,029 B1 11/2005 Rivers et al.
D526,961 S * 8/2006 Kissinger D13/139.4
7,183,503 B2 * 2/2007 Bowman H02G 3/185
174/483
7,193,160 B2 * 3/2007 Dinh H02G 3/185
174/482
D543,148 S 5/2007 Suckle et al.
D559,660 S * 1/2008 DeCosta D8/356
D559,789 S * 1/2008 Dinh D13/152
D562,766 S 2/2008 Yang
D575,140 S * 8/2008 Schwartz D8/356
7,442,883 B2 * 10/2008 Jolly H02G 3/185
174/483
D579,762 S * 11/2008 Sempliner D8/356

D587,203 S 2/2009 Dennes et al.
D588,442 S * 3/2009 Chong D8/356
D590,236 S * 4/2009 Schwartz D8/356
D595,224 S 6/2009 Seil et al.
D605,121 S 12/2009 Dennes et al.
D610,093 S 2/2010 Victor
7,804,026 B2 9/2010 Libby et al.
7,806,723 B2 * 10/2010 Chong H02G 3/22
439/571
D636,728 S * 4/2011 Terleski D13/139.4
D677,634 S * 3/2013 Korcz D13/152
8,475,186 B1 * 7/2013 Sikkema H01R 13/447
439/131
8,598,453 B2 * 12/2013 Hsiao H02G 3/185
174/481
D697,872 S * 1/2014 Roemer D13/156
D701,835 S 4/2014 Byrne et al.
D716,231 S 10/2014 Byrne et al.
D716,735 S 11/2014 Byrne et al.
D719,091 S * 12/2014 Leddusire D13/110
D719,508 S * 12/2014 Byrne D13/110
D726,654 S 4/2015 Jung et al.
D745,850 S * 12/2015 Gretz D13/152
2008/0200064 A1 * 8/2008 Chong H02G 3/22
439/571
2009/0056970 A1 3/2009 Hoffman et al.
2009/0090073 A1 4/2009 Bravo et al.
2009/0224423 A1 9/2009 Vigorito et al.
2012/0305868 A1 * 12/2012 Callahan H02G 3/12
254/134.3 R

* cited by examiner

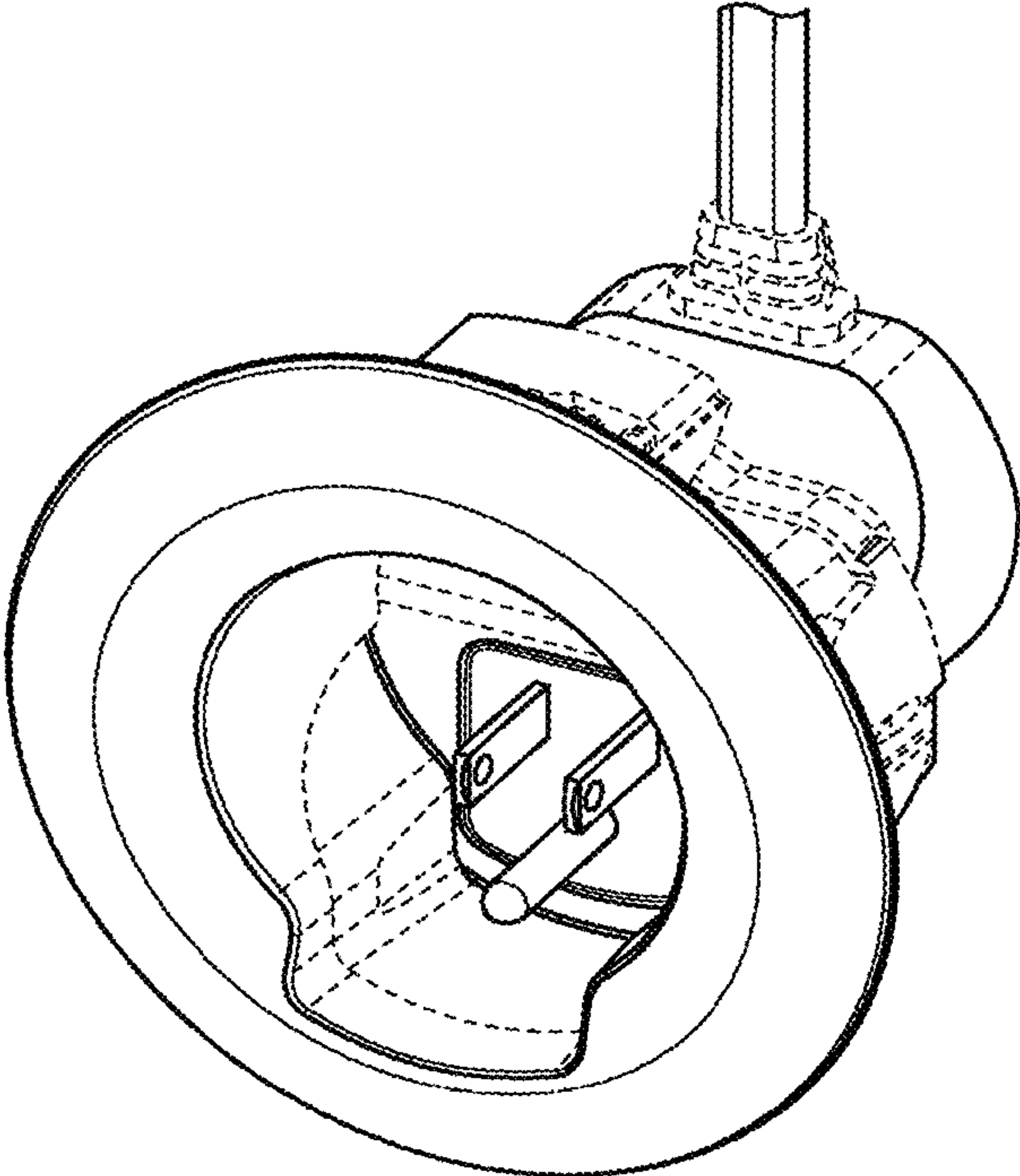


FIG. 1

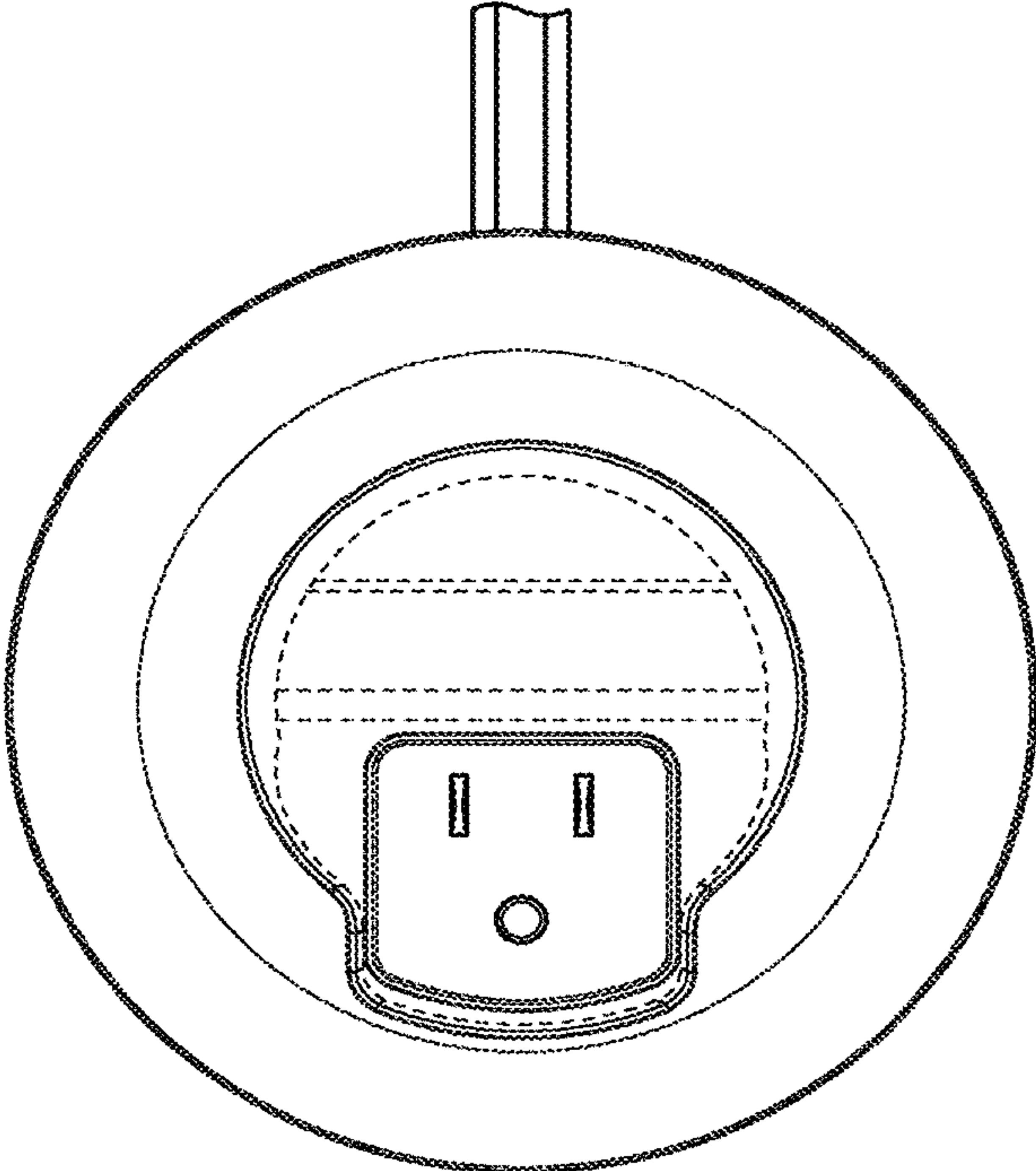


FIG. 2

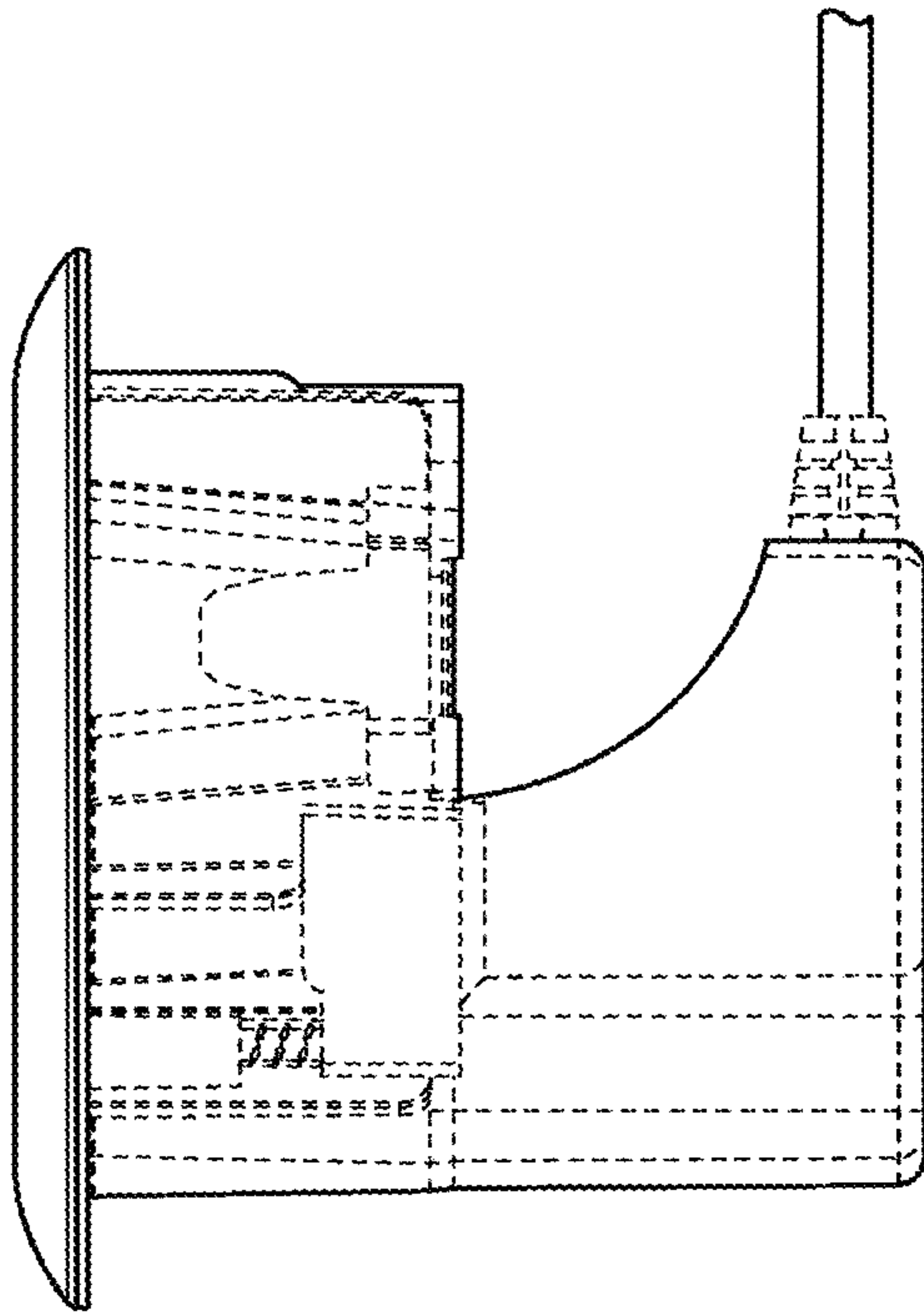


FIG. 3

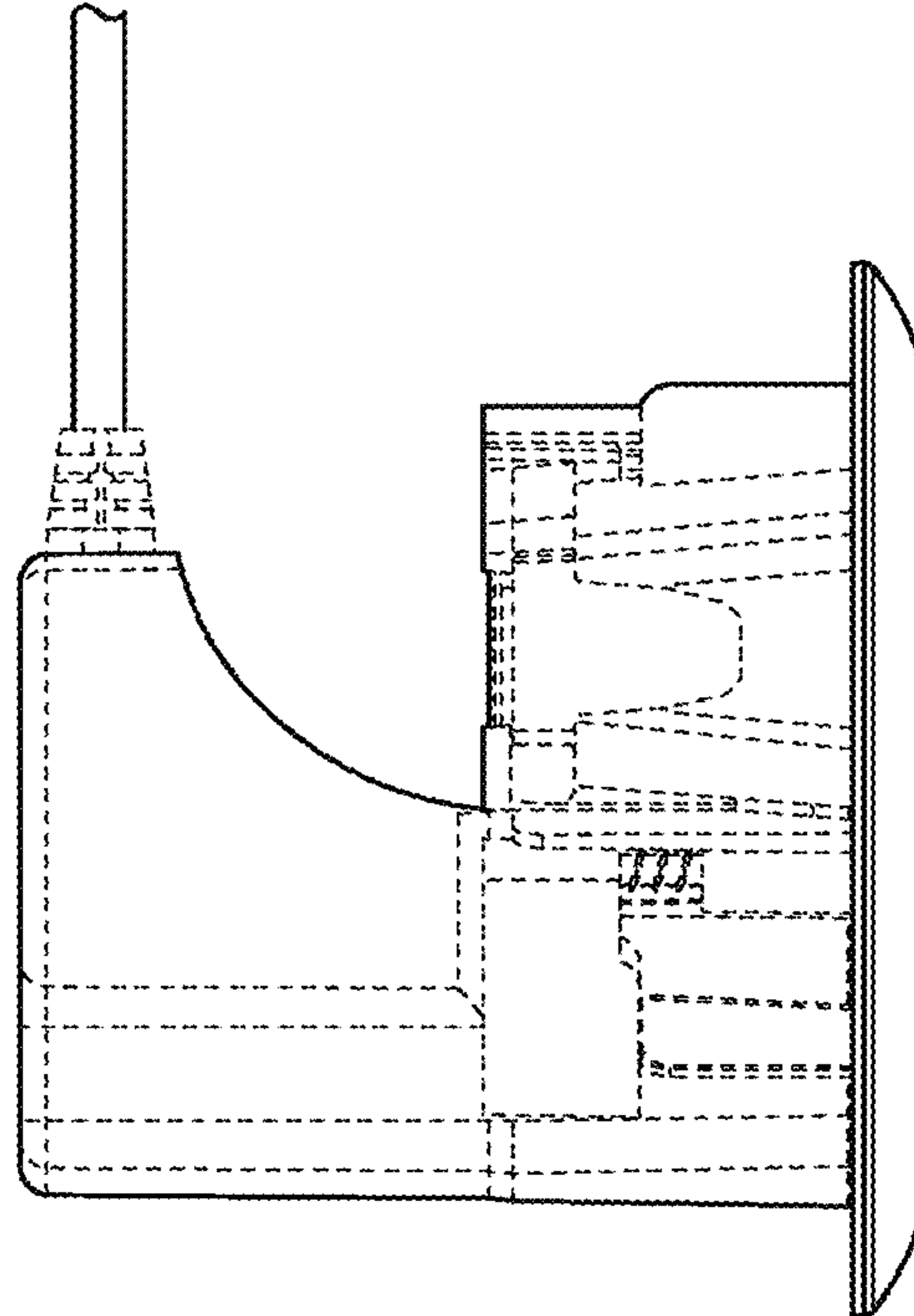


FIG. 4

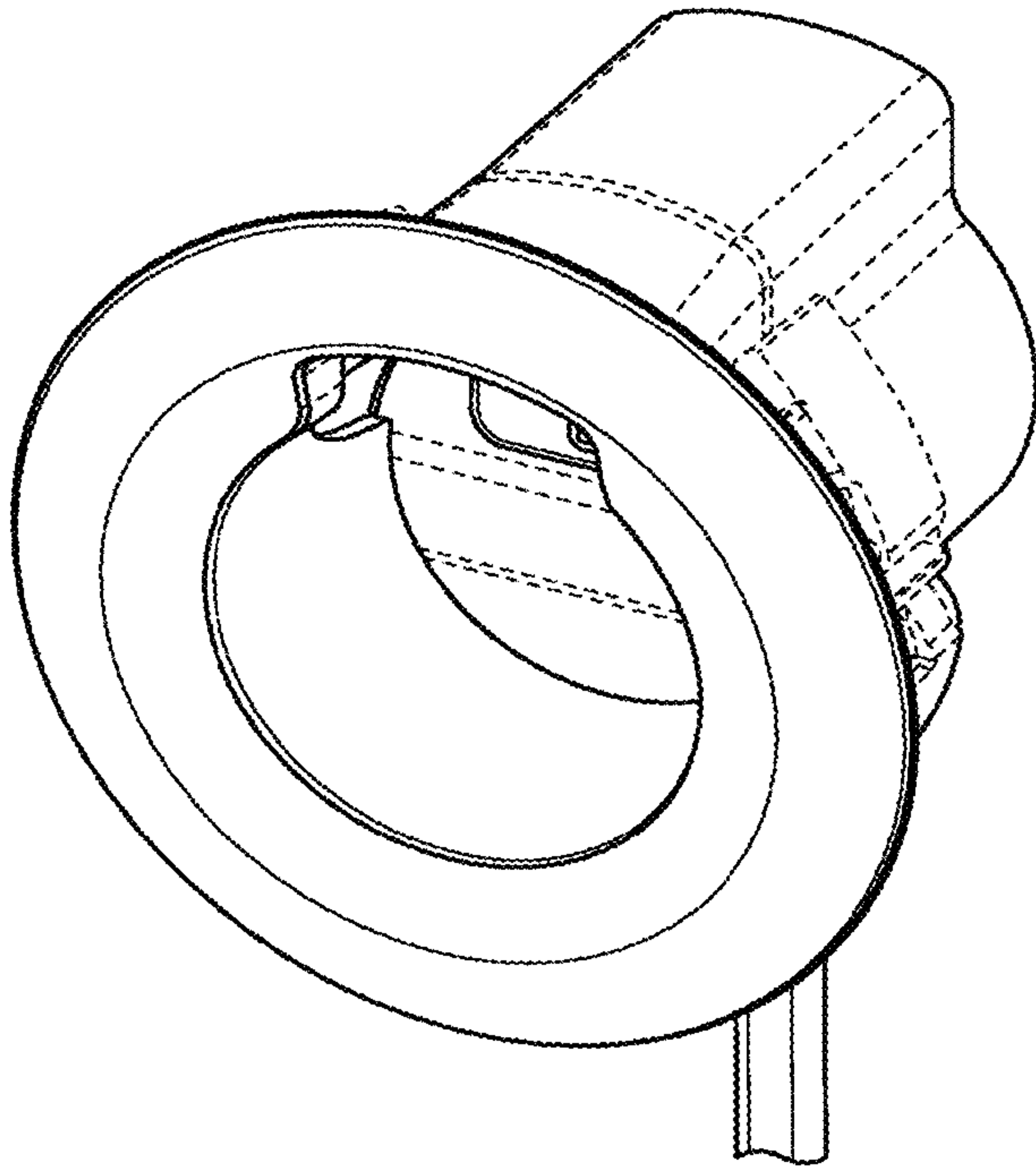


FIG. 5

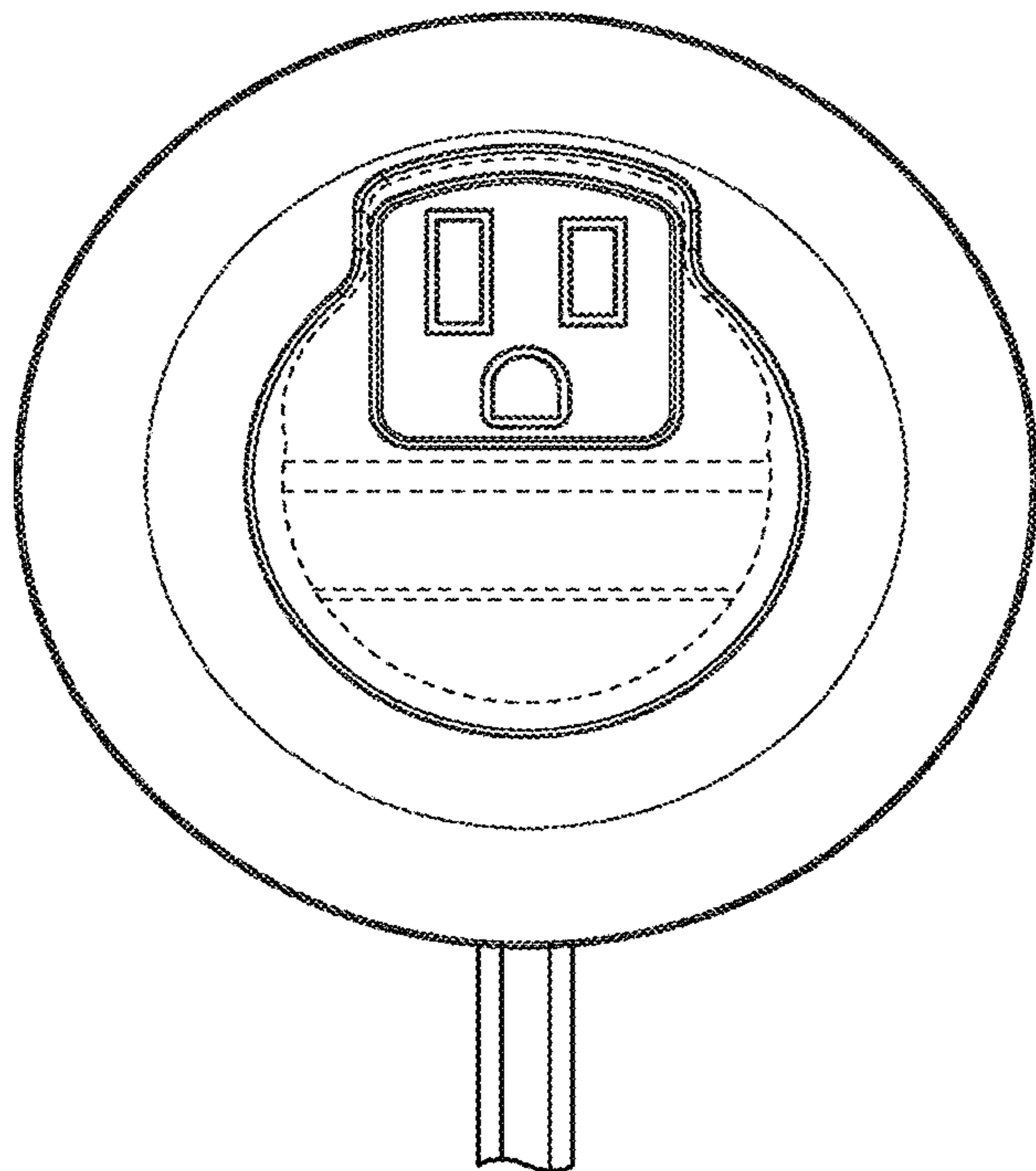


FIG. 6

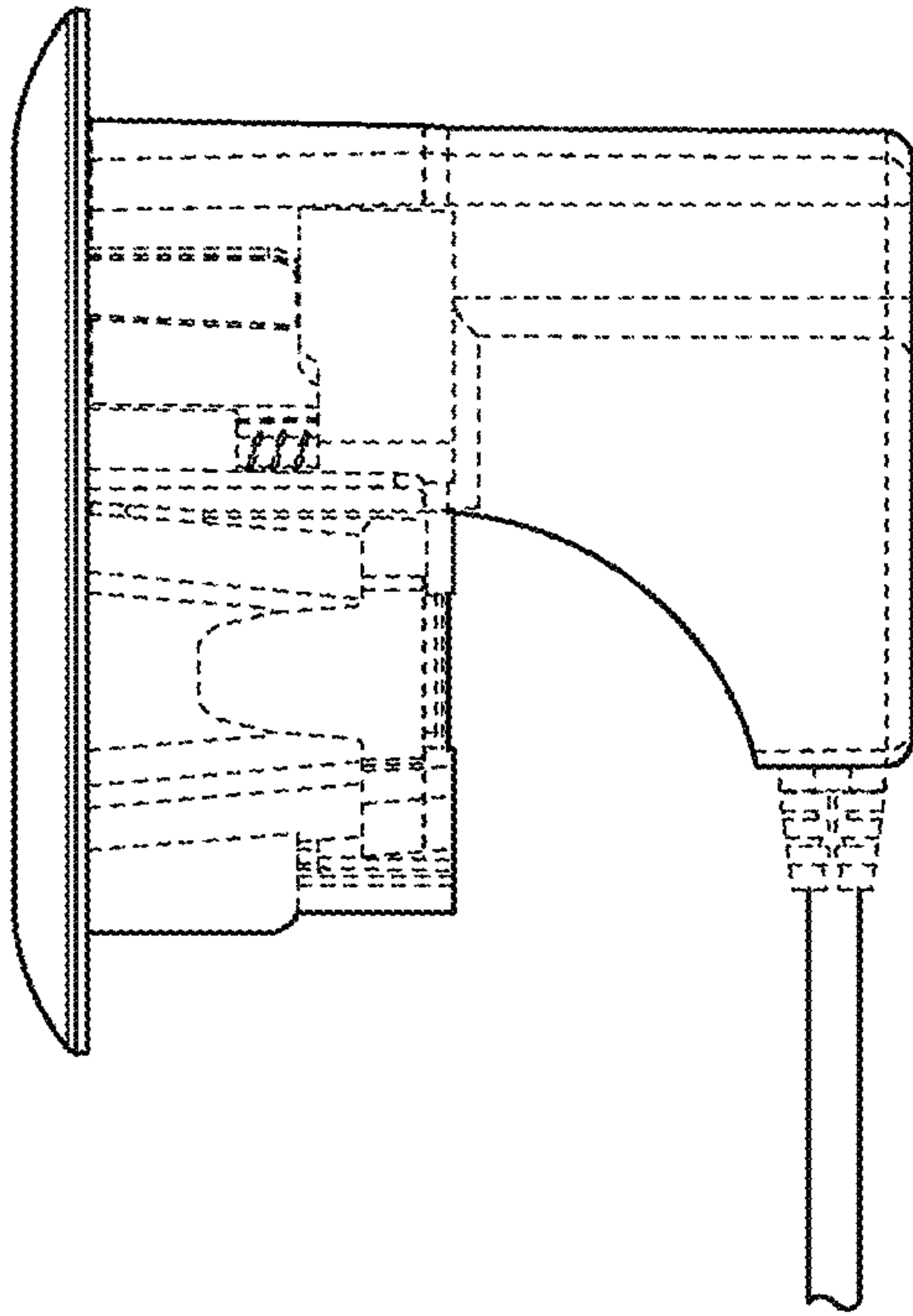


FIG. 7

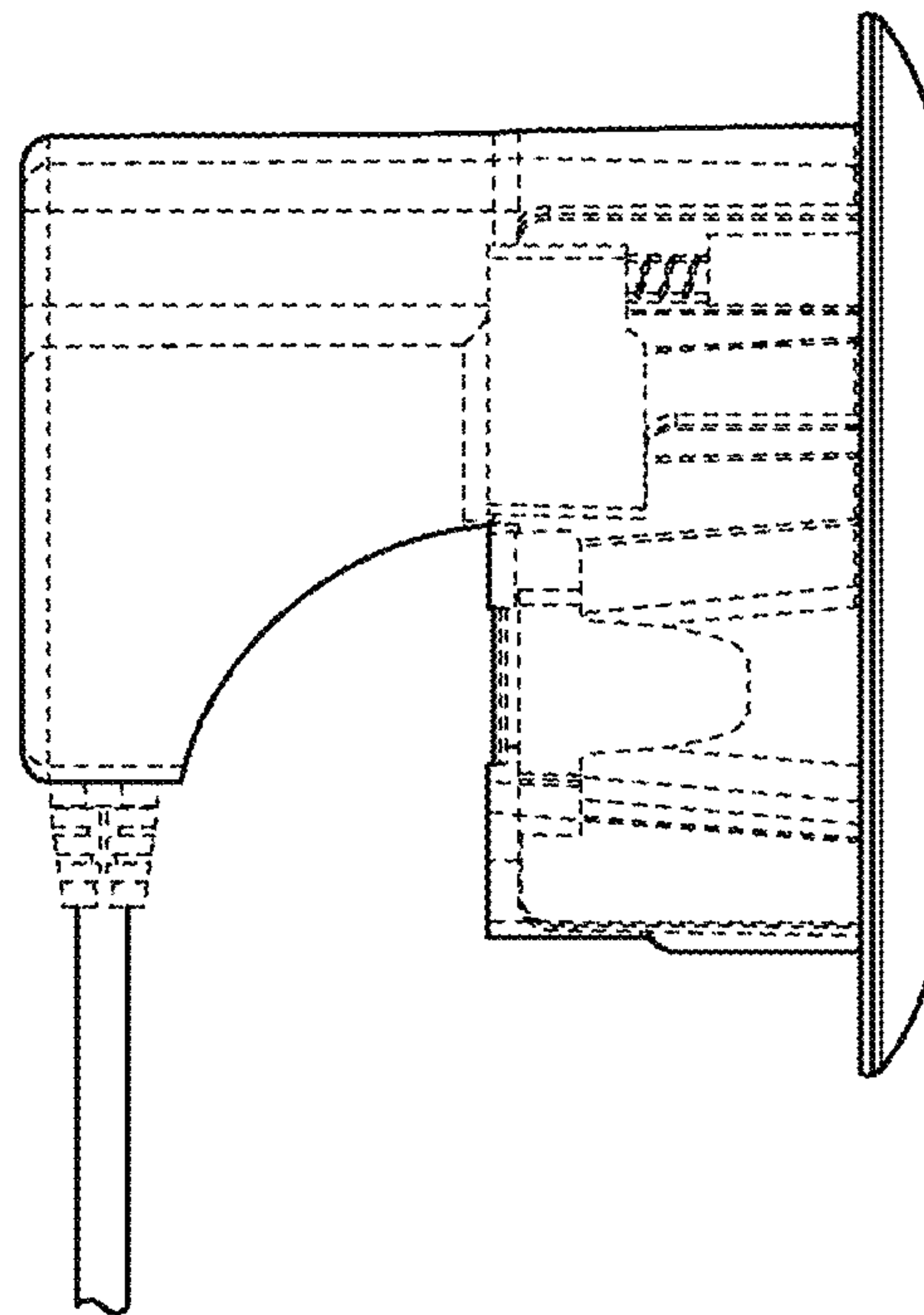


FIG. 8

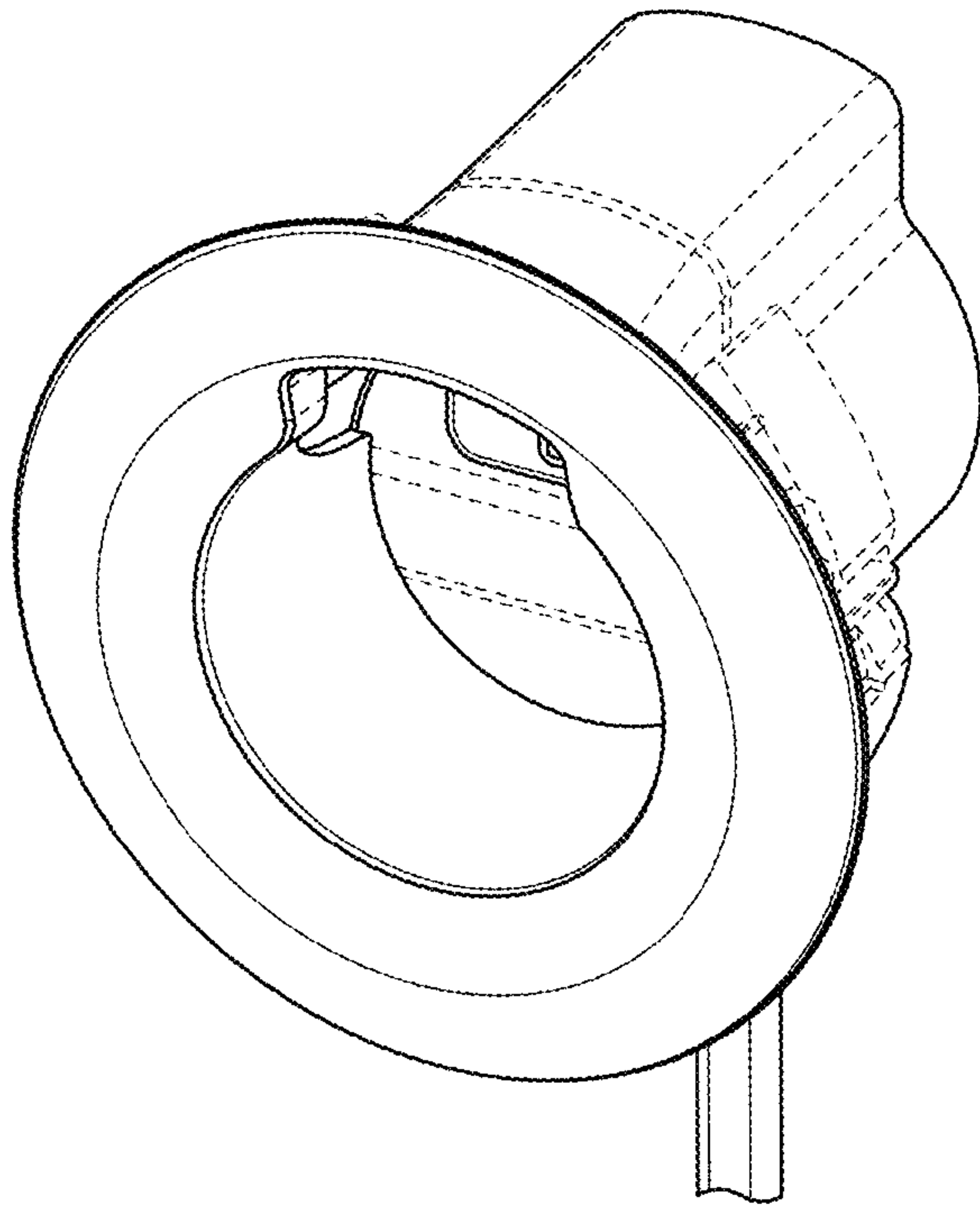


FIG. 9

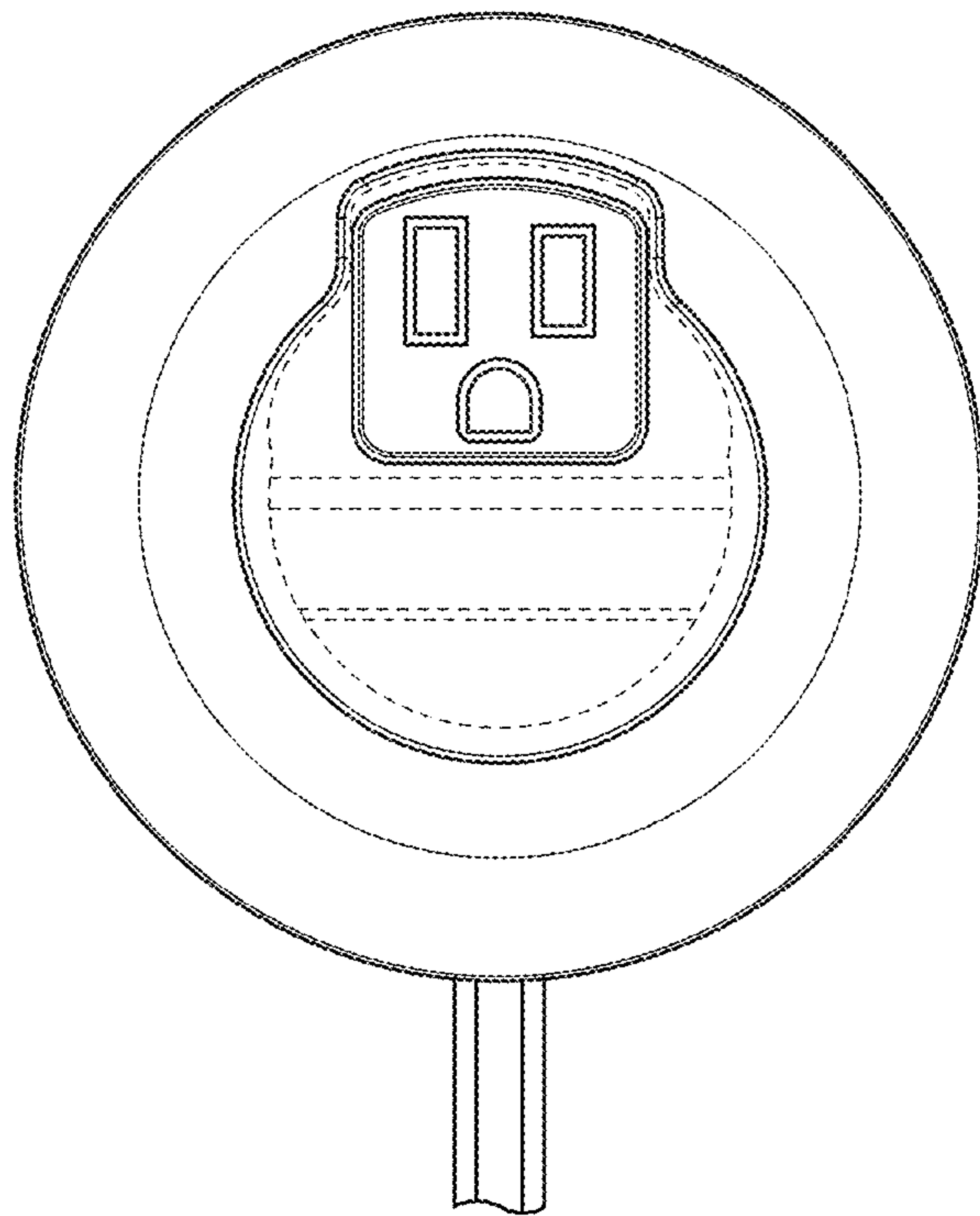


FIG. 10

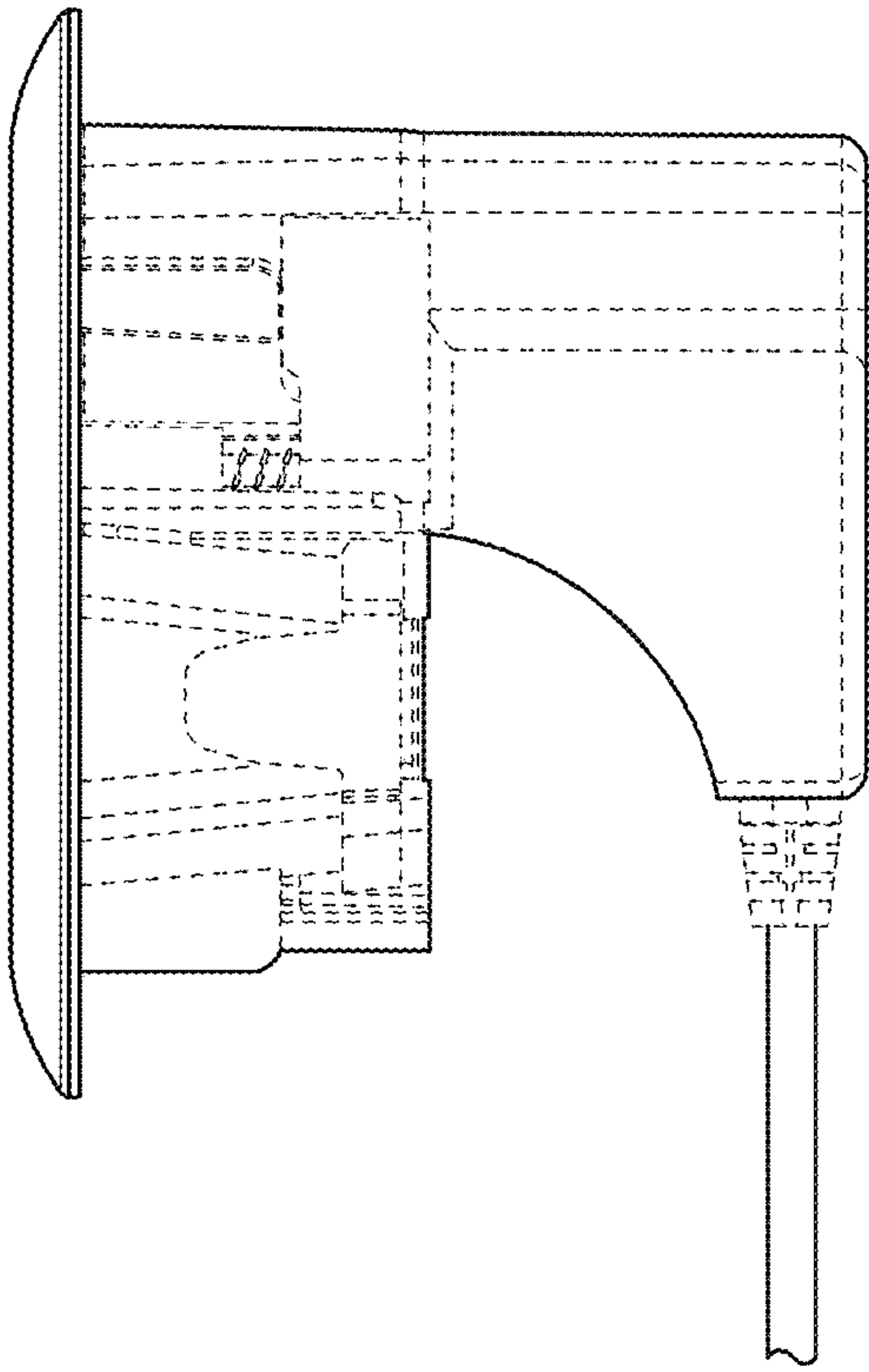


FIG. 11

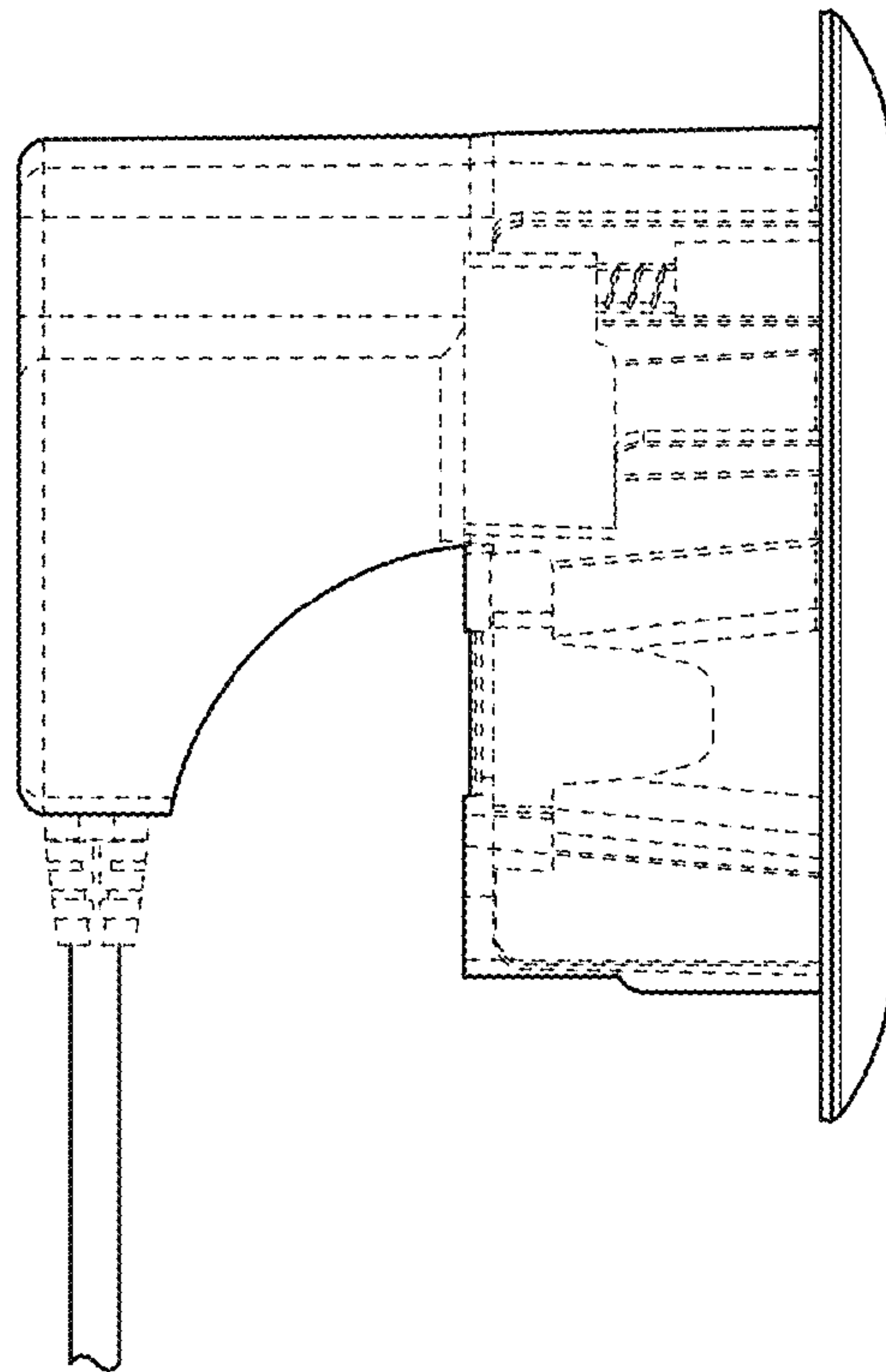


FIG. 12