



US00D779432S

(12) **United States Design Patent**
Wong et al.

(10) **Patent No.:** **US D779,432 S**
(45) **Date of Patent:** **** Feb. 21, 2017**

(54) **SENSOR AND CONNECTOR**

(71) Applicant: **Covidien LP**, Mansfield, MA (US)
(72) Inventors: **Alissa K. Wong**, Boulder, CO (US);
Timothy W. Fries, Louisville, CO (US)

(73) Assignee: **Covidien LP**, Mansfield, MA (US)

(**) Term: **15 Years**

(21) Appl. No.: **29/539,745**

(22) Filed: **Sep. 17, 2015**

(51) **LOC (10) Cl.** **13-03**

(52) **U.S. Cl.**
USPC **D13/133**; D10/97; D24/186

(58) **Field of Classification Search**
USPC D10/78, 81, 97; D13/133; D14/433;
D24/186, 187, 168, 169

(Continued)

(56) **References Cited**

U.S. PATENT DOCUMENTS

4,964,408 A * 10/1990 Hink A61B 5/14552
600/344

5,069,213 A 12/1991 Polczynski
(Continued)

FOREIGN PATENT DOCUMENTS

EP 1945099 7/2008
JP 6016774 3/1994

(Continued)

OTHER PUBLICATIONS

INVOS Cerebral/Somatic Oximeter, Reflects Site-Specific Tissue
Perfusion Noninvasively, 11-PM-0258 mn21410; 883-11-PM-
0258BRC_INVOSNeonatalBrochure-singles-1320864559 (2010).

(Continued)

Primary Examiner — Antoine D Davis

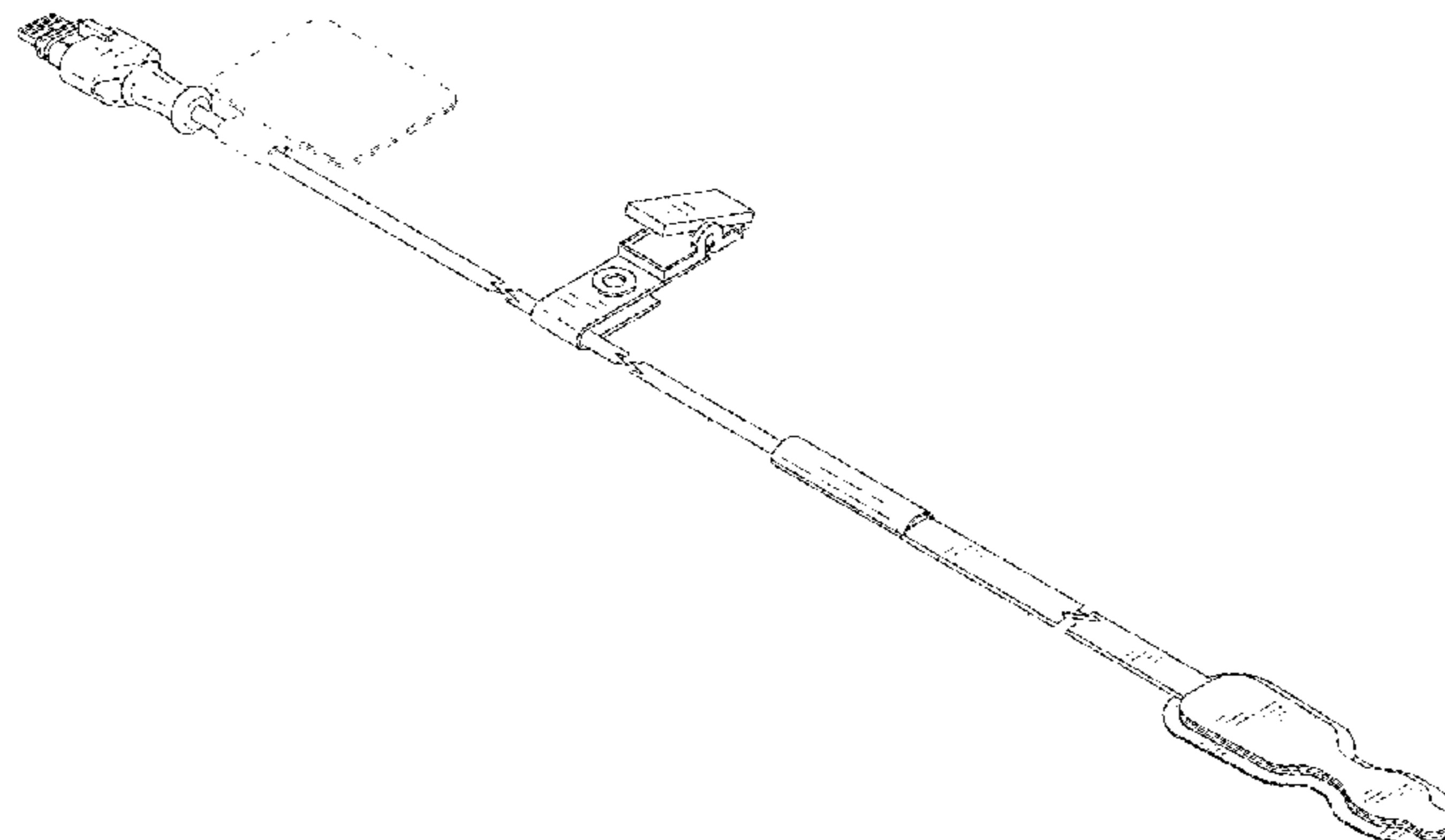
(57) **CLAIM**

We claim the ornamental design for a sensor and connector,
as shown and described.

DESCRIPTION

FIG. 1 is a perspective view of the sensor and connector of the present invention;
FIG. 2 is a top view of the sensor and connector of FIG. 1;
FIG. 3 is a bottom view of the sensor and connector of FIG. 1;
FIG. 4 is a right side view of the sensor and connector of FIG. 1;
FIG. 5 is a left side view of the sensor and connector of FIG. 1;
FIG. 6 is a front view of the sensor and connector of FIG. 1;
FIG. 7 is a rear view of the sensor and connector of FIG. 1;
FIG. 8 is a perspective view of an alternate embodiment of the sensor and connector;
FIG. 9 is a top view of the sensor and connector of FIG. 8;
FIG. 10 is a left or right side view of the sensor and connector of FIG. 8;
FIG. 11 is a perspective view of an alternate embodiment of the sensor and connector;
FIG. 12 is a top view of the sensor and connector of FIG. 11;
FIG. 13 is a right side view of the sensor and connector of FIG. 11;
FIG. 14 is a perspective view of an alternate embodiment of the sensor and connector;
FIG. 15 is a top view of the sensor and connector of FIG. 14;
FIG. 16 is a left or right side view of the sensor and connector of FIG. 14; and,
FIG. 17 is a perspective view of an alternate embodiment of the sensor and connector.
Any subject matter shown in broken lines in the drawings constitutes the environment only and forms no part of the protection sought. The article is shown with a symbolic break in its length. The appearance of any portion of the article between the break lines forms no part of the claimed design.

1 Claim, 11 Drawing Sheets



(58) **Field of Classification Search**
 CPC A61B 5/14551; A61B 5/14552; A61B 5/14553; A61B 5/14555; A61B 5/6813; A61B 5/6814; A61B 5/6815; A61B 5/6816; A61B 5/6817; A61B 5/6819; A61B 5/682; A61B 5/6821; A61B 5/6822; A61B 5/6823; A61B 5/6824; A61B 5/6825

7,117,590 B2	10/2006	Koenig et al.	
7,132,641 B2	11/2006	Schulz et al.	
7,210,959 B1	5/2007	Teves	
7,225,006 B2	5/2007	Al-Ali et al.	
7,248,910 B2	7/2007	Li et al.	
7,371,981 B2	5/2008	Abdul-Hafiz	
7,377,794 B2	5/2008	Al-Ali et al.	
7,427,165 B2	9/2008	Benaron et al.	
8,188,433 B2*	5/2012	Gonopolskiy	A61B 5/14552 250/338.1

See application file for complete search history.

(56) **References Cited**

U.S. PATENT DOCUMENTS

5,154,175 A	10/1992	Gunther	
5,228,440 A	7/1993	Chung et al.	
5,249,576 A	10/1993	Goldberger et al.	
5,287,853 A	2/1994	Vester et al.	
5,343,869 A	9/1994	Pross et al.	
5,387,122 A	2/1995	Goldberger et al.	
5,425,362 A	6/1995	Siker et al.	
5,491,299 A	2/1996	Naylor et al.	
5,645,440 A	7/1997	Tobler et al.	
5,660,567 A	8/1997	Nierlich et al.	
5,743,260 A	4/1998	Chung et al.	
5,790,729 A	8/1998	Pologe et al.	
5,851,178 A	12/1998	Aronow	
5,890,929 A	4/1999	Mills et al.	
5,934,925 A	8/1999	Tobler et al.	
5,961,452 A	10/1999	Chung et al.	
5,997,343 A	12/1999	Mills et al.	
6,014,576 A	1/2000	Raley	
6,026,312 A	2/2000	Shemwell et al.	
6,112,107 A	8/2000	Hannula	
6,152,754 A	11/2000	Gerhardt et al.	
6,165,005 A	12/2000	Mills et al.	
6,253,097 B1	6/2001	Aronow et al.	
6,280,213 B1	8/2001	Tobler et al.	
6,370,409 B1	4/2002	Chung et al.	
6,466,809 B1*	10/2002	Riley	A61B 5/14552 600/344
6,541,756 B2	4/2003	Schultz et al.	
6,678,543 B2	1/2004	Diab et al.	
6,850,788 B2	2/2005	Al-Ali	

2002/0103423 A1	8/2002	Chin et al.
2003/0135099 A1	7/2003	Al-Ali
2003/0162414 A1	8/2003	Schulz et al.
2004/0267103 A1	12/2004	Li et al.
2005/0113704 A1	5/2005	Lawson et al.
2006/0211932 A1	9/2006	Al-Ali et al.
2006/0241363 A1	10/2006	Al-Ali et al.
2007/0123783 A1	5/2007	Chang
2008/0064940 A1	3/2008	Raridan
2008/0071153 A1	3/2008	Al-Ali et al.
2008/0076980 A1	3/2008	Hoarau
2008/0076995 A1	3/2008	Hoarau
2008/0076996 A1	3/2008	Hoarau
2008/0081954 A1	4/2008	Meyer et al.
2008/0220633 A1	9/2008	Al-Ali et al.
2008/0255435 A1	10/2008	Al-Ali et al.
2008/0316488 A1	12/2008	Mao et al.

FOREIGN PATENT DOCUMENTS

JP	24329406	11/2004
JP	25052385	3/2005
JP	25110816	4/2005
JP	26061566	3/2006
JP	27117641	5/2007
JP	27167183	7/2007
JP	27167184	7/2007
JP	27190122	8/2007

OTHER PUBLICATIONS

A monitor designed to help treat a range of complex patients; 12673-DesignedtoTreat-1402592390 (2012 INVOS brochure).

* cited by examiner

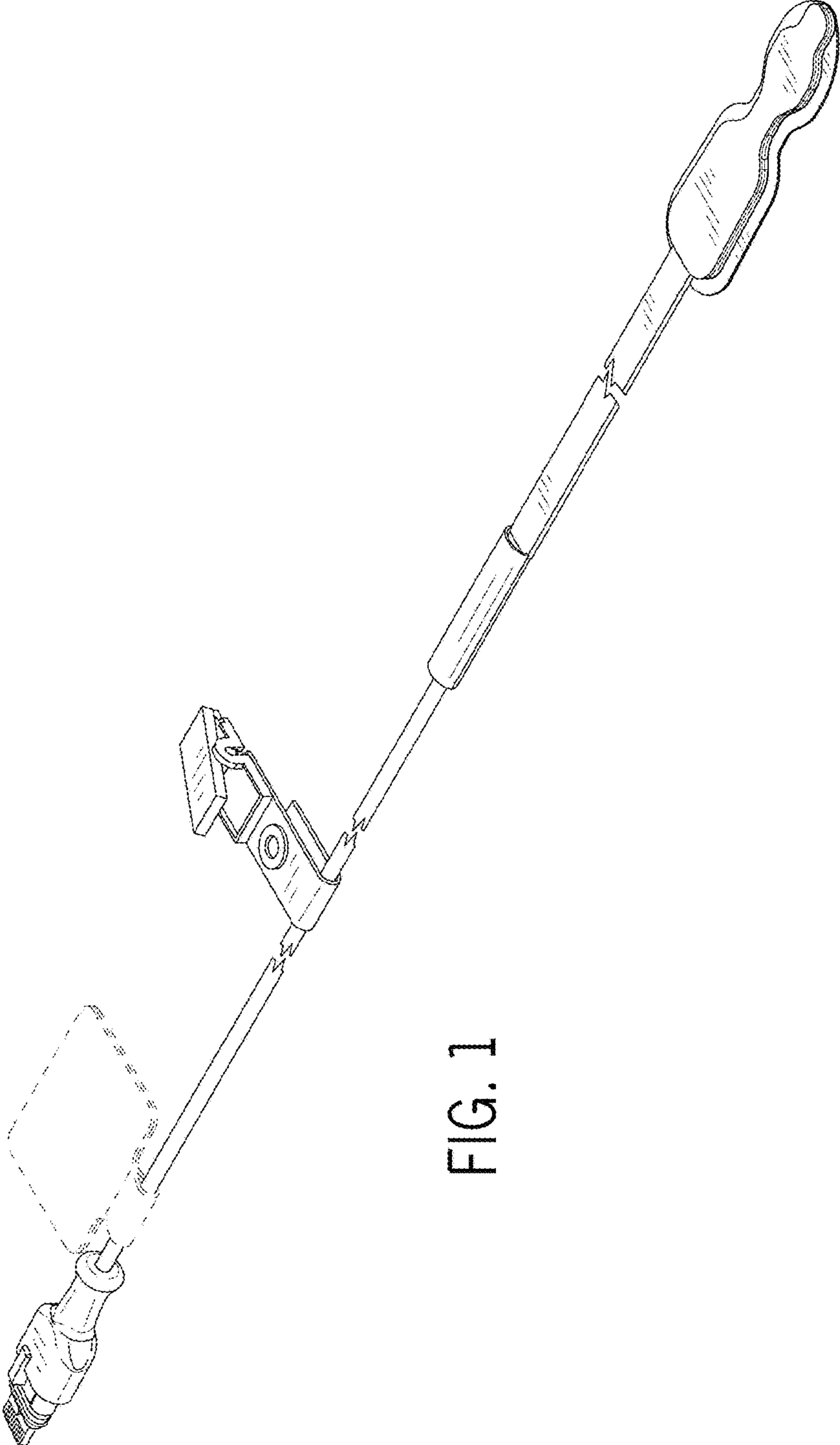


FIG. 1

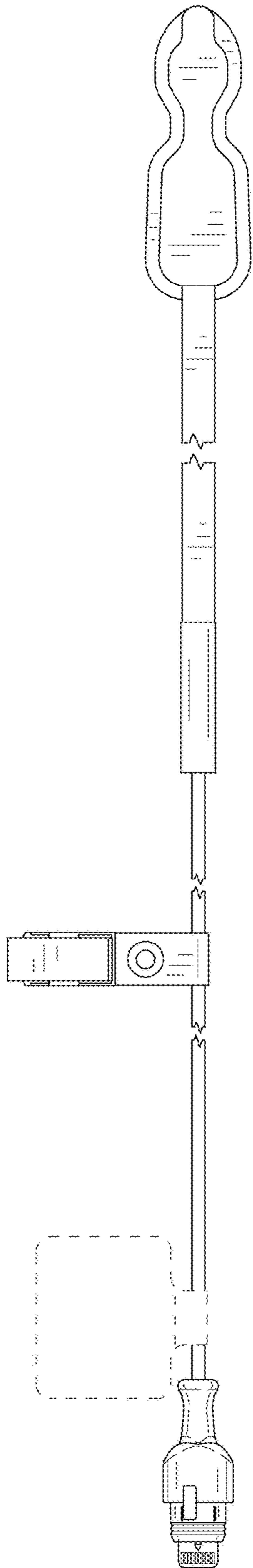


FIG. 2

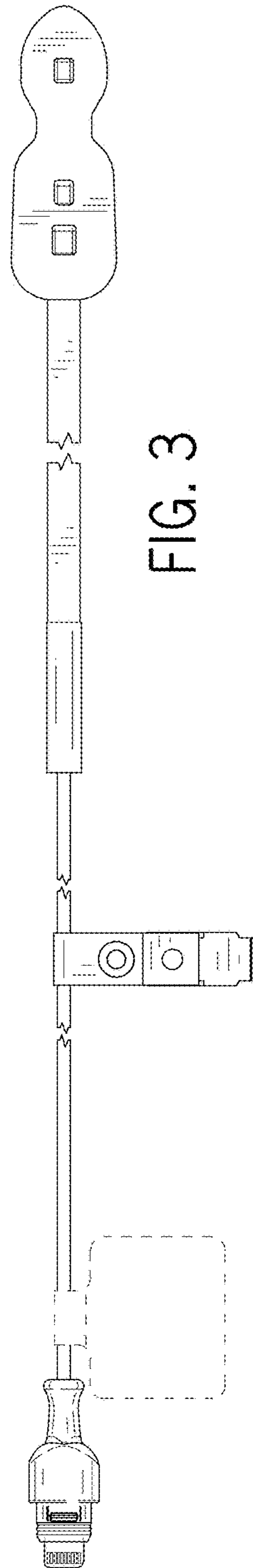


FIG. 3

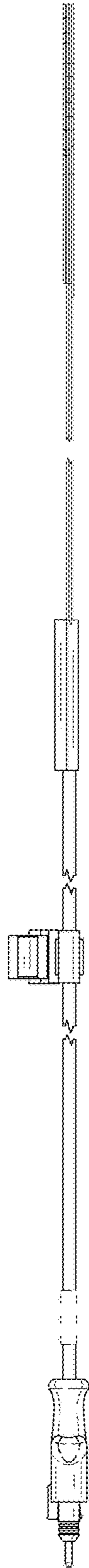


FIG. 4

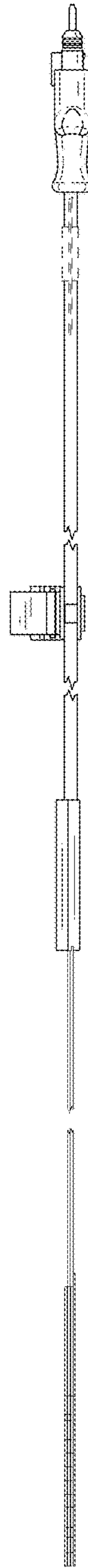


FIG. 5

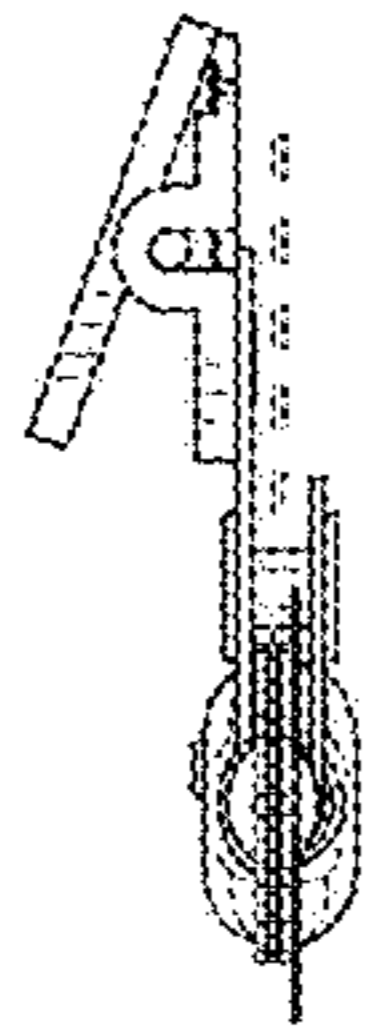


FIG. 6

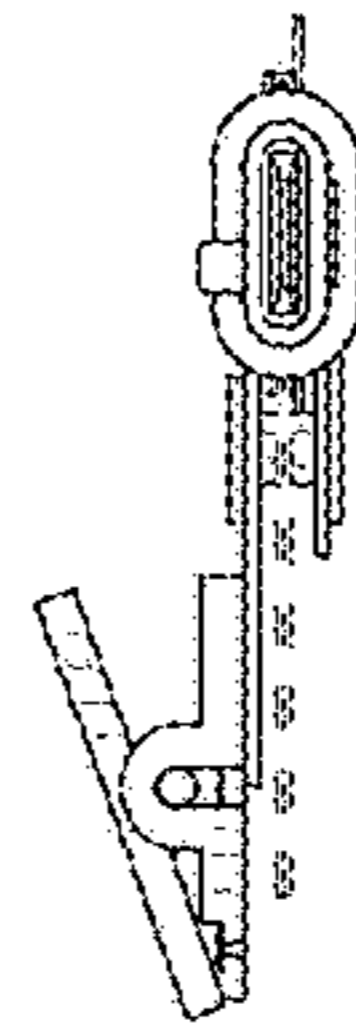


FIG. 7

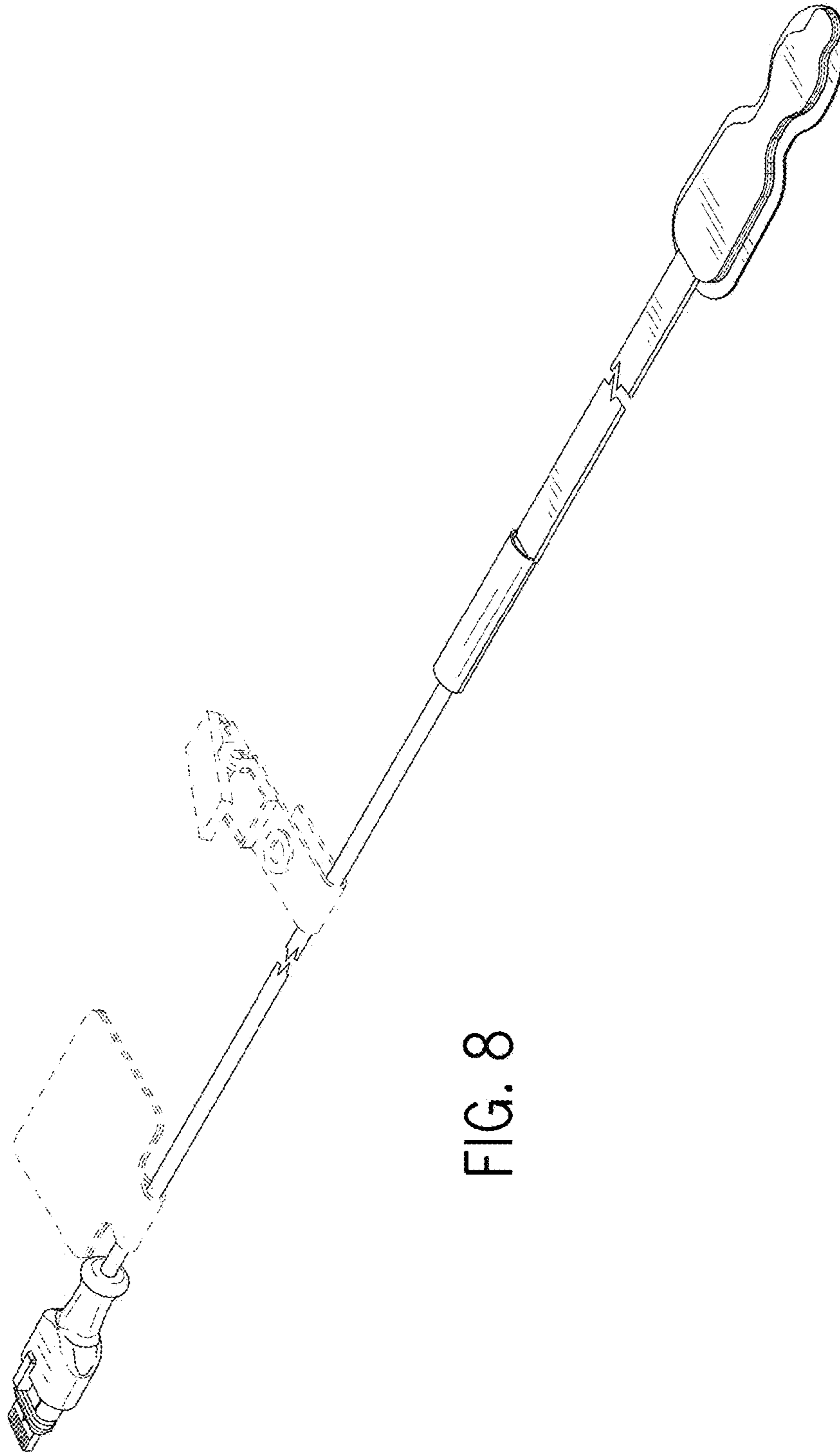


FIG. 8

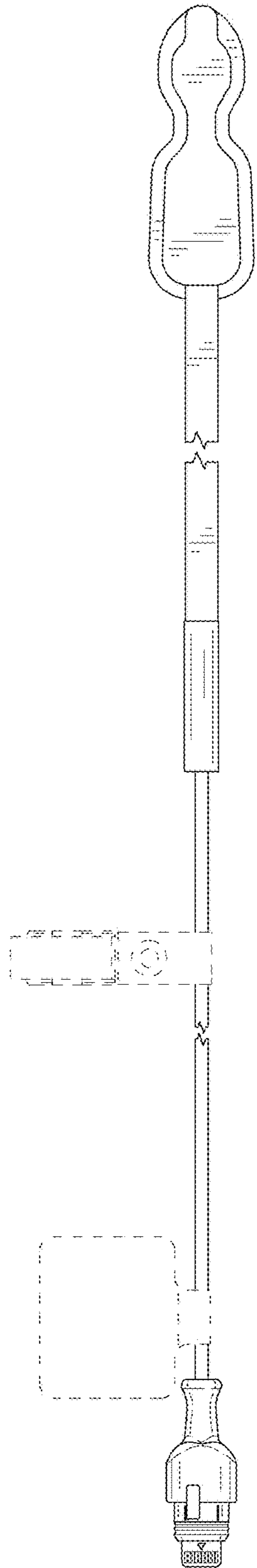


FIG. 9

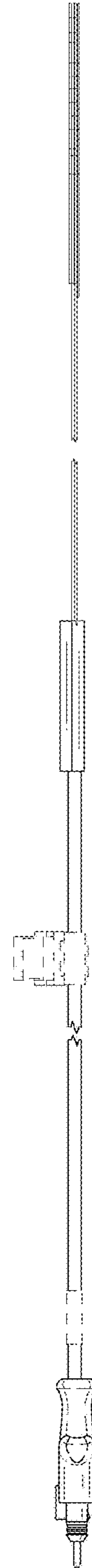


FIG. 10

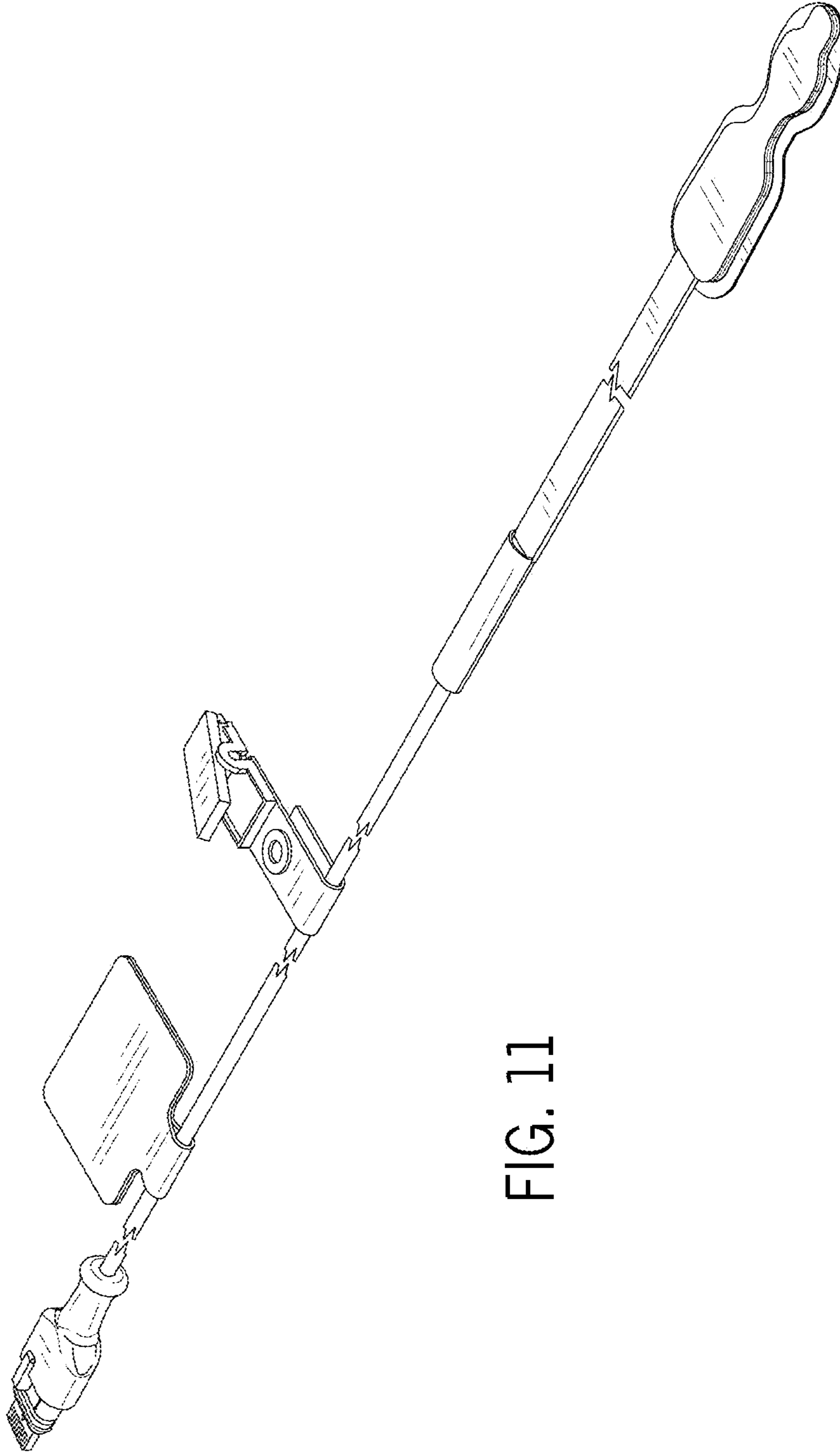


FIG. 11

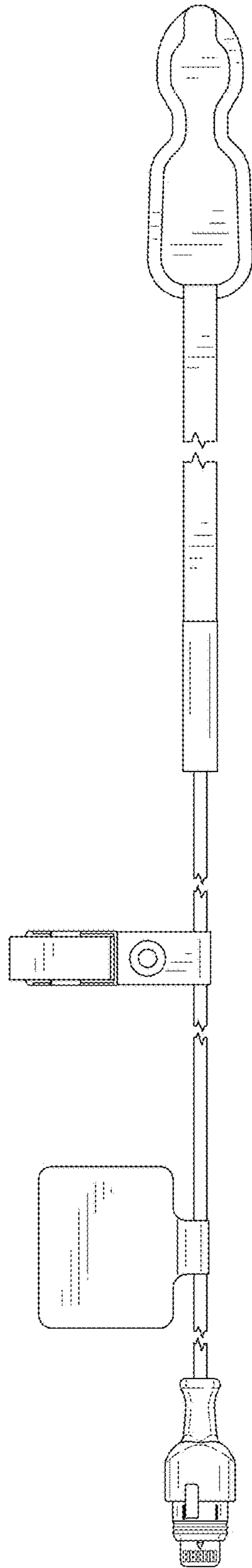


FIG. 12

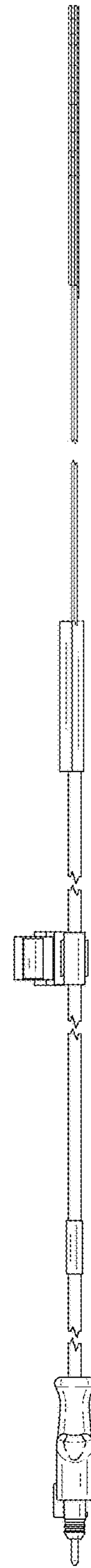


FIG. 13

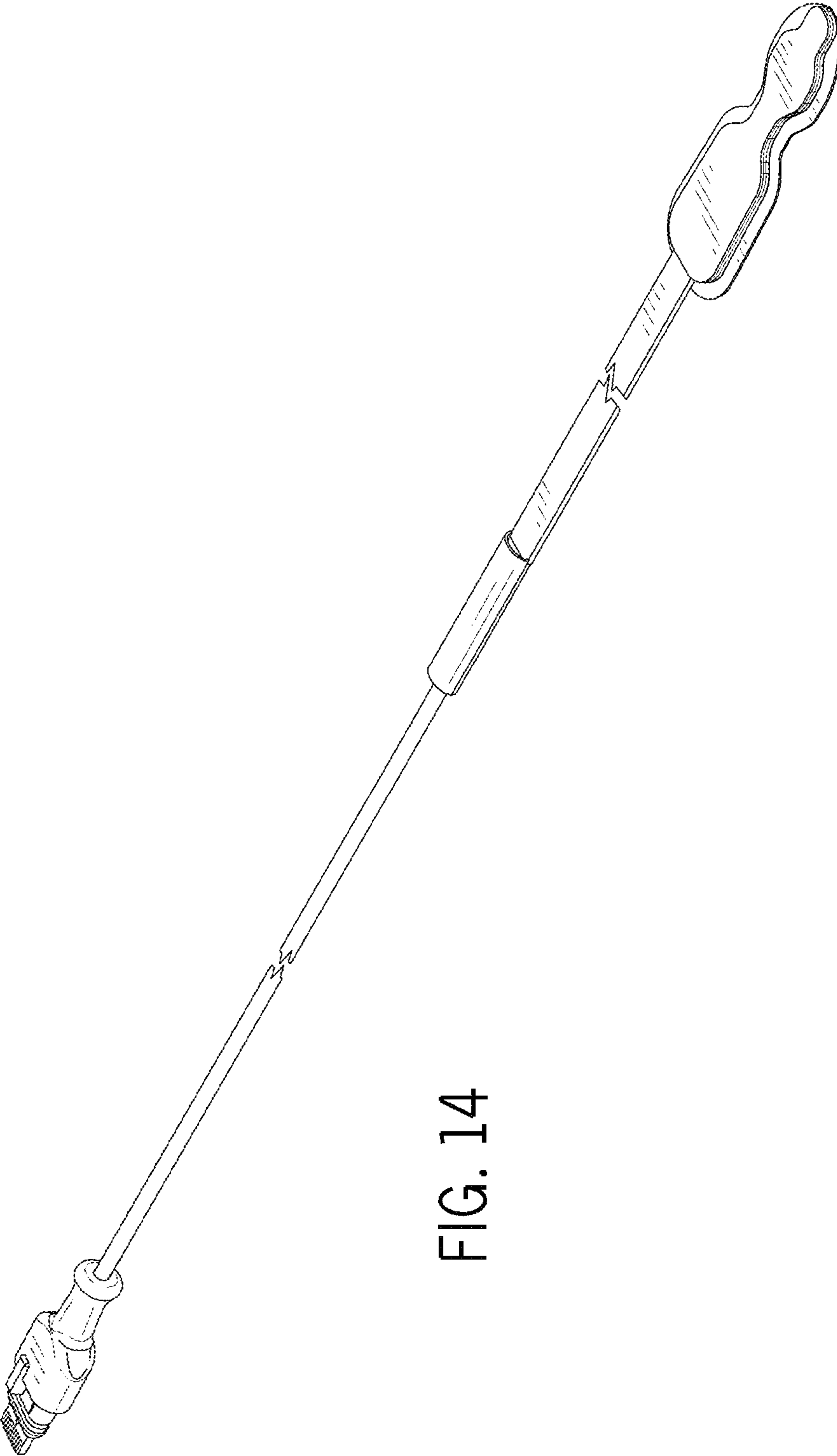


FIG. 14

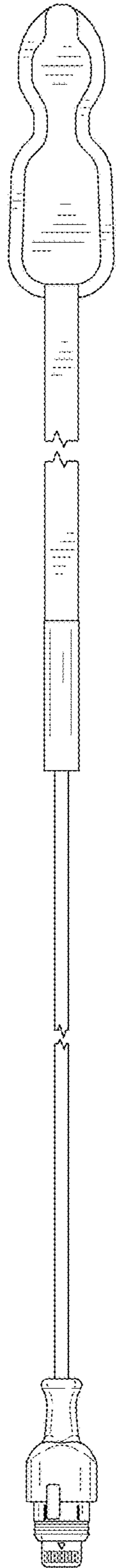


FIG. 15

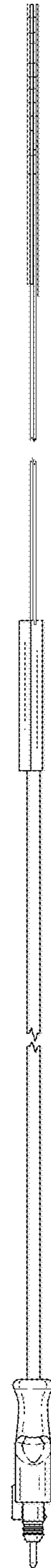


FIG. 16

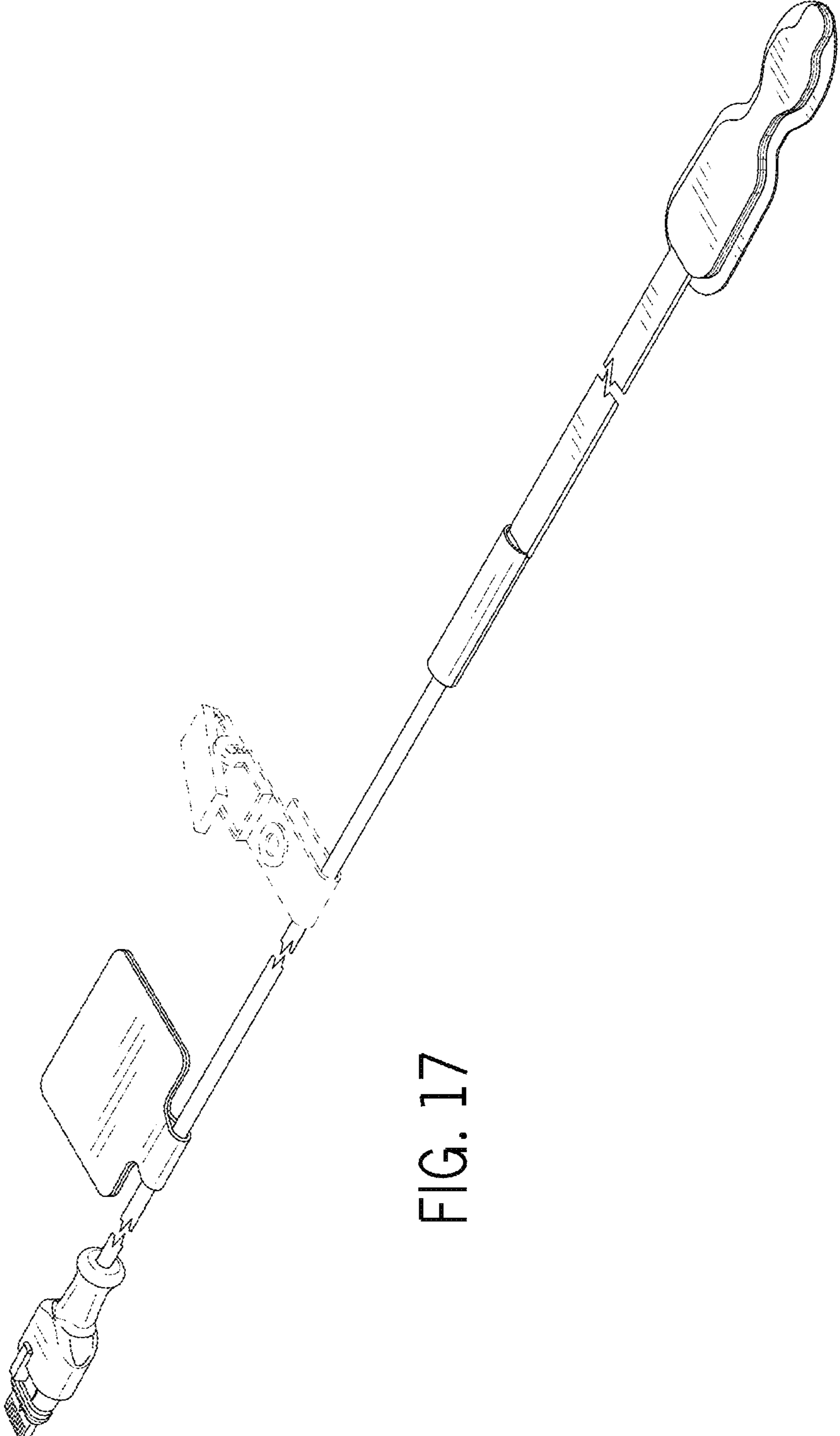


FIG. 17