



US00D779431S

(12) **United States Design Patent**  
**Aishima et al.**

(10) **Patent No.:** **US D779,431 S**

(45) **Date of Patent:** **\*\* Feb. 21, 2017**

(54) **CONNECTOR FOR POWER CABLE**

(71) Applicant: **Hitachi Metals, Ltd.**, Tokyo (JP)

(72) Inventors: **Yukinori Aishima**, Ishioka (JP);  
**Wataru Murata**, Hitachi (JP)

(73) Assignee: **Hitachi Metals, Ltd.**, Tokyo (JP)

(\*\*) Term: **15 Years**

(21) Appl. No.: **29/528,980**

(22) Filed: **Jun. 2, 2015**

(30) **Foreign Application Priority Data**

Dec. 12, 2014 (JP) ..... DES. 2014-027768

(51) **LOC (10) Cl.** ..... **13-03**

(52) **U.S. Cl.**  
USPC ..... **D13/133**

(58) **Field of Classification Search**  
USPC ..... D13/110, 118, 123, 133, 154–156, 173,  
D13/184, 199  
CPC ..... H01R 13/53; H01R 13/52; H01R 13/56;  
H01R 25/16; H01R 43/26; H01R 13/5202;  
H01R 13/5208; H01R 13/58; H01R 4/00;  
H01R 4/58; H01R 4/50; H01R  
24/66; G01R 31/28; H02H 3/04  
See application file for complete search history.

(56) **References Cited**

U.S. PATENT DOCUMENTS

- 3,512,118 A \* 5/1970 Leonard ..... H01H 9/102  
174/18
- 3,587,035 A \* 6/1971 Kotski ..... H01R 13/53  
174/73.1
- D222,263 S \* 10/1971 De Sio ..... D13/133
- 3,668,614 A \* 6/1972 Ball ..... H01H 9/085  
218/90
- 3,720,904 A \* 3/1973 De Sio ..... H01R 13/53  
200/51.09
- 3,917,374 A \* 11/1975 Murdock ..... H01F 27/04  
439/184

- 3,997,235 A \* 12/1976 Boliver ..... H01R 13/53  
218/90
- 4,152,643 A \* 5/1979 Schweitzer, Jr. .... G01R 19/155  
174/11 BH
- 4,175,815 A \* 11/1979 Andersen ..... H01R 13/53  
439/89
- 4,340,790 A \* 7/1982 Boliver ..... H01R 13/53  
174/152 R
- 4,400,048 A \* 8/1983 Sacks ..... H01R 43/26  
334/46

(Continued)

FOREIGN PATENT DOCUMENTS

- JP 2008-220009 A 9/2008
- JP 5060800 B2 10/2012

OTHER PUBLICATIONS

Richards Manufacturing Deadbreak, dated Feb. 17, 2013, [online], [site visited Feb. 18, 2016]. Available from Internet, <URL: <http://richards-mfg.com/products/category/600-900a-deadbreak>>.\*

*Primary Examiner* — Thomas Johannes  
*Assistant Examiner* — Shawn T Gingrich

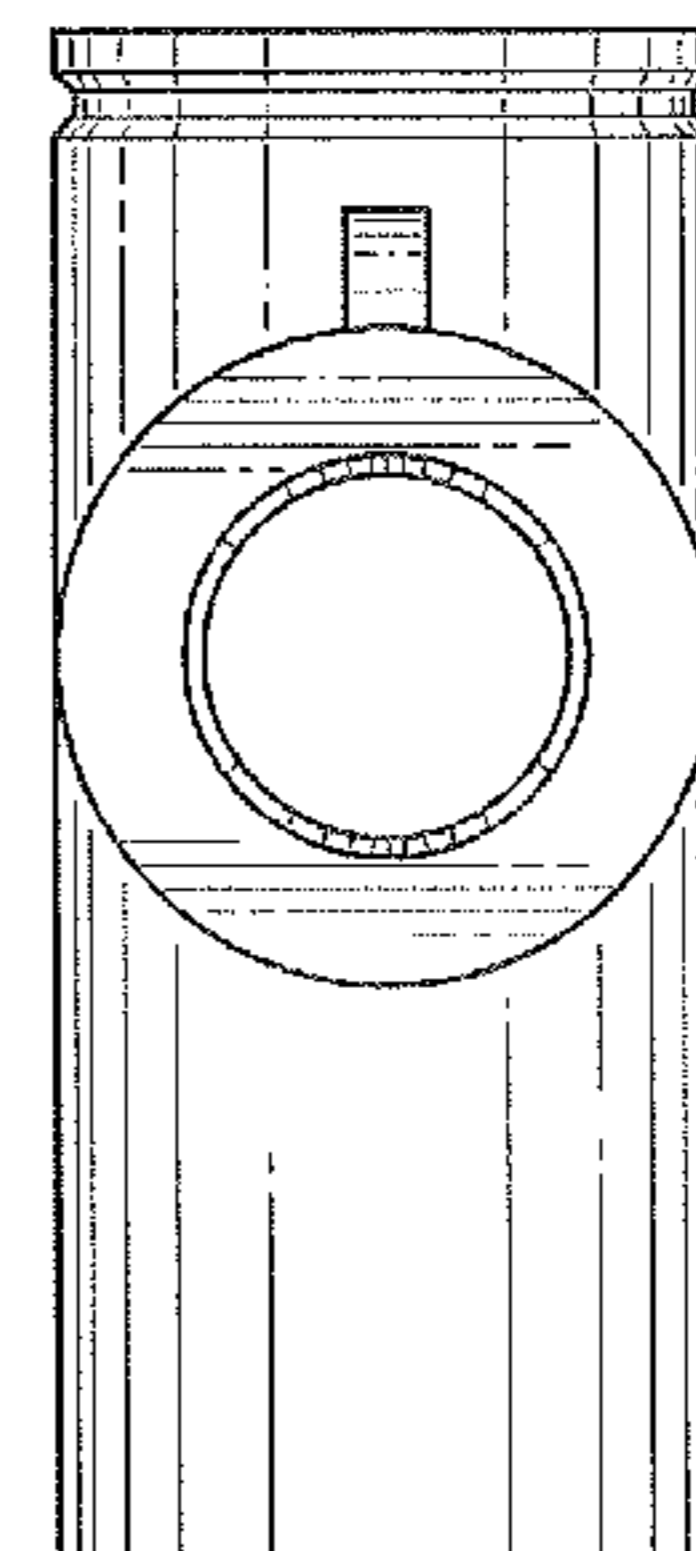
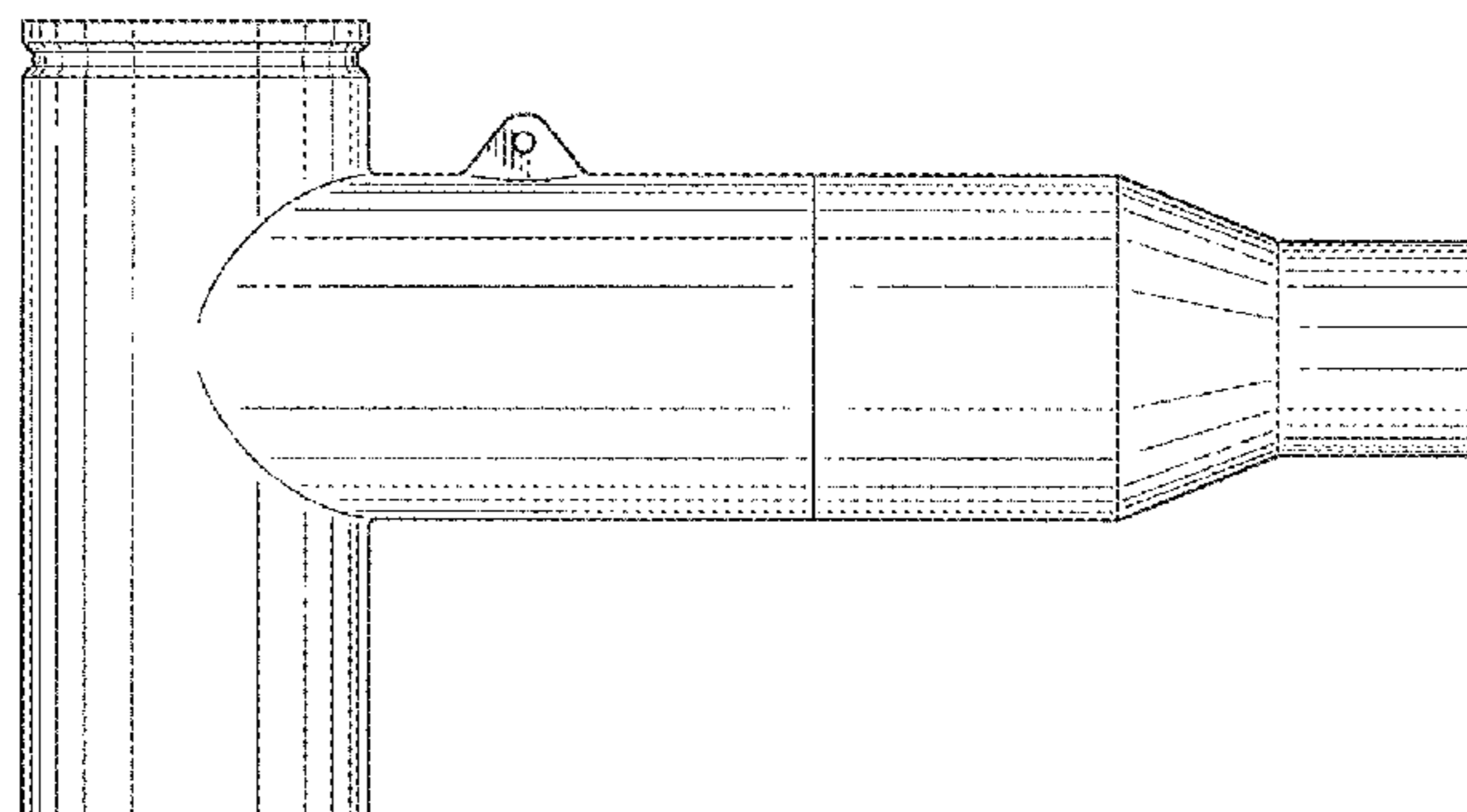
(57) **CLAIM**

The ornamental design for a connector for power cable, substantially as shown and described.

**DESCRIPTION**

FIG. 1 is a front view of a connector for power cable embodying our new design, a back view thereof being a mirror image;  
FIG. 2 is a plan view thereof;  
FIG. 3 is a bottom view thereof;  
FIG. 4 is a right side view thereof; and,  
FIG. 5 is a left side view thereof.  
The broken line portion of the figure drawings is included to show portions of the article that form no part of the claimed design.

**1 Claim, 3 Drawing Sheets**



(56)

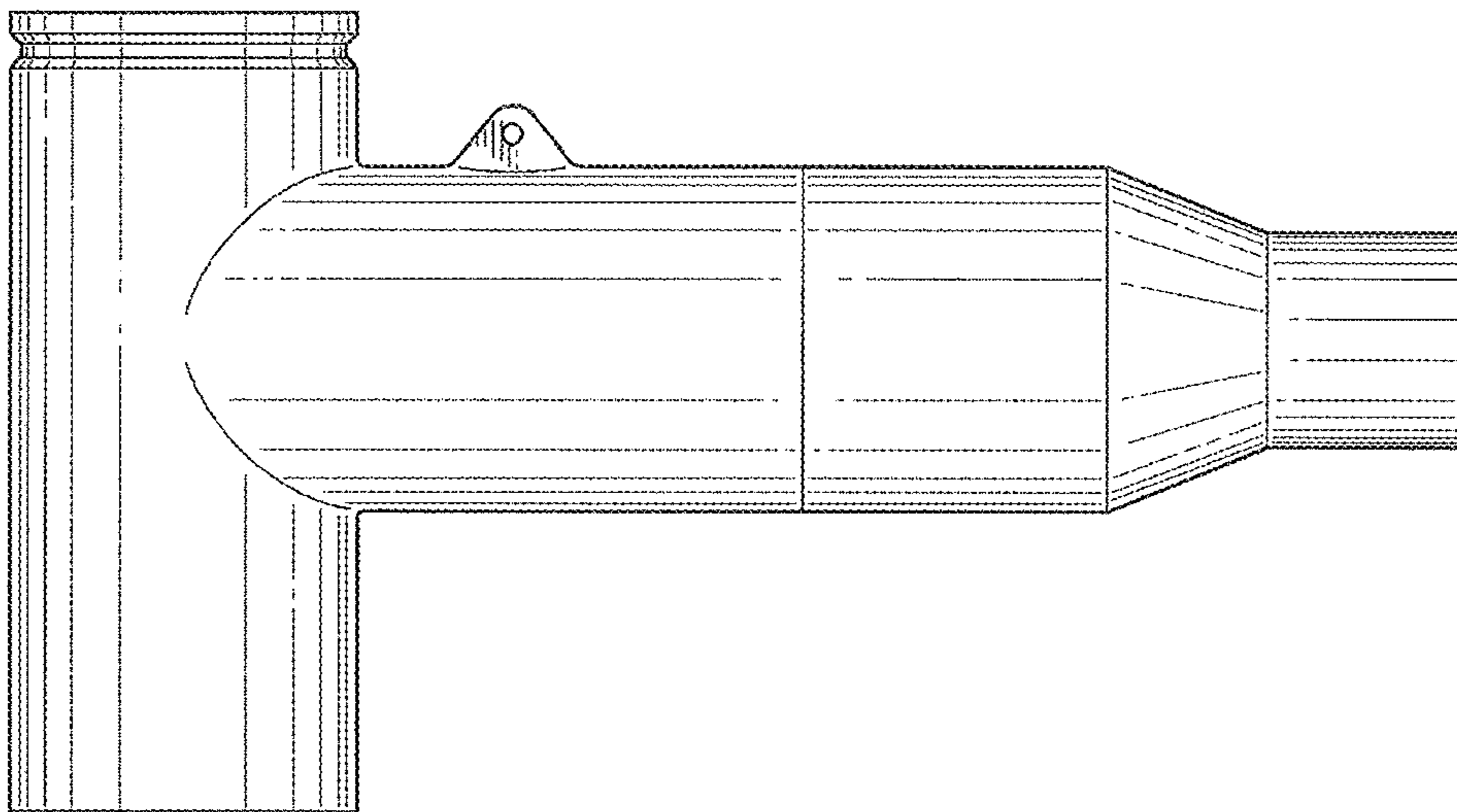
**References Cited**

U.S. PATENT DOCUMENTS

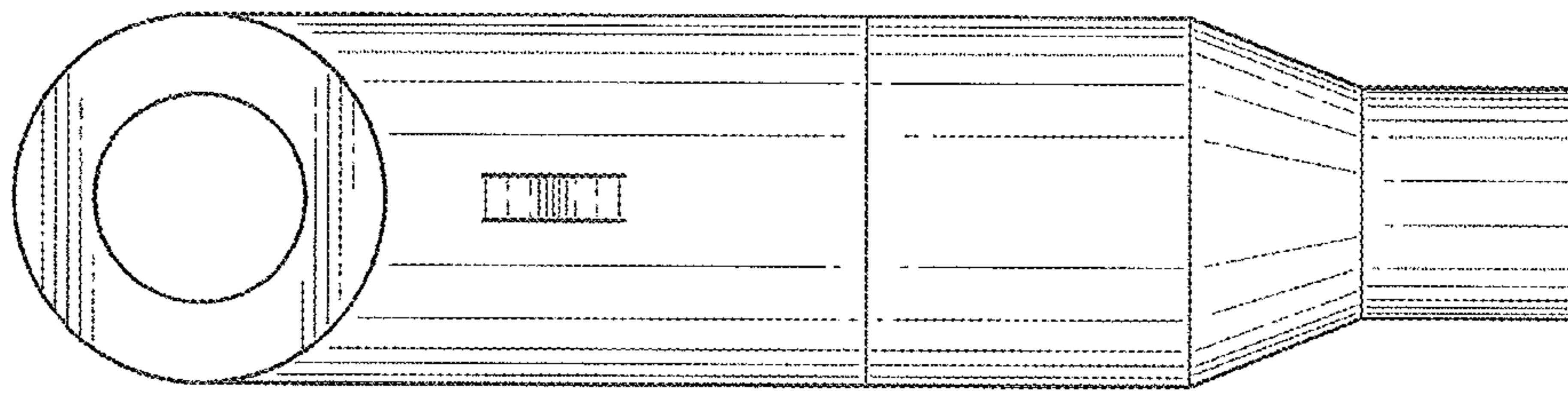
4,458,198	A *	7/1984	Schweitzer, Jr. ....	G01R 19/15 324/133
4,567,647	A *	2/1986	Raines .....	B23P 19/10 29/268
4,722,694	A *	2/1988	Makal .....	H01R 13/53 439/181
4,904,932	A *	2/1990	Schweitzer, Jr. ....	G01R 15/16 174/11 BH
5,801,526	A *	9/1998	Horstmann .....	G01R 31/2853 324/117 R
5,821,869	A *	10/1998	Schweitzer, Jr. ....	H02H 3/04 116/204
6,231,404	B1 *	5/2001	Lichy .....	H01R 13/53 439/801
6,416,338	B1 *	7/2002	Berlovan .....	H01R 13/53 439/187
6,504,103	B1 *	1/2003	Meyer .....	H01R 11/28 174/167
6,811,418	B2 *	11/2004	Jazowski .....	H01R 13/53 439/181
7,648,376	B1 *	1/2010	Borgstrom .....	H01R 13/53 439/181
8,109,776	B2 *	2/2012	Hughes .....	H01R 13/46 439/282
9,385,493	B2 *	7/2016	Maroney .....	H01R 25/162
2007/0141882	A1 *	6/2007	Stepniak .....	H01R 13/53 439/187
2008/0299818	A1 *	12/2008	Hughes .....	H01R 13/53 439/445
2014/0024241	A1 *	1/2014	Siebens .....	H01R 13/53 439/310

\* cited by examiner

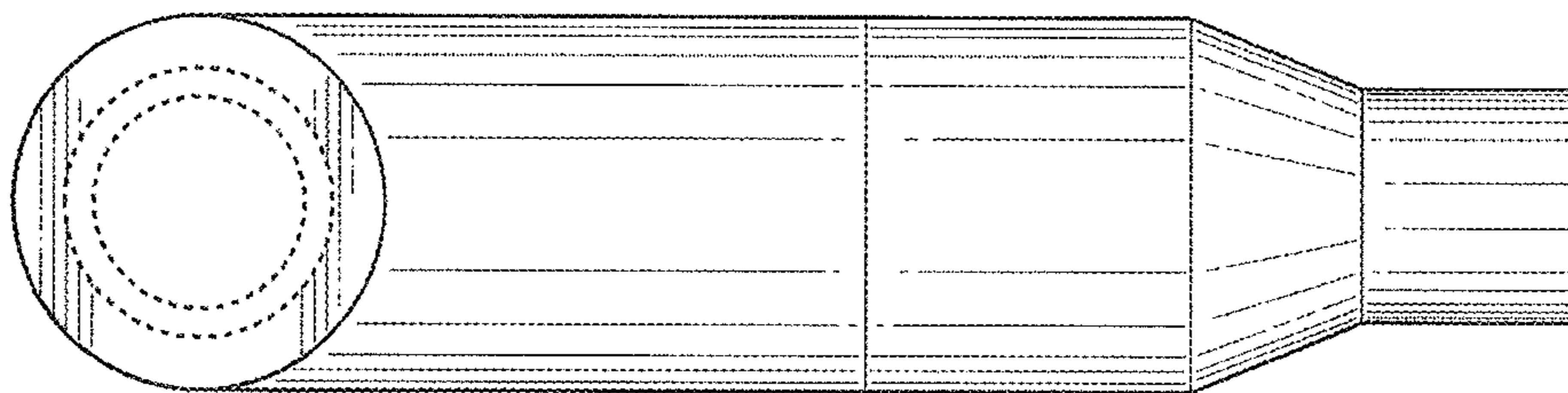
*FIG. 1*



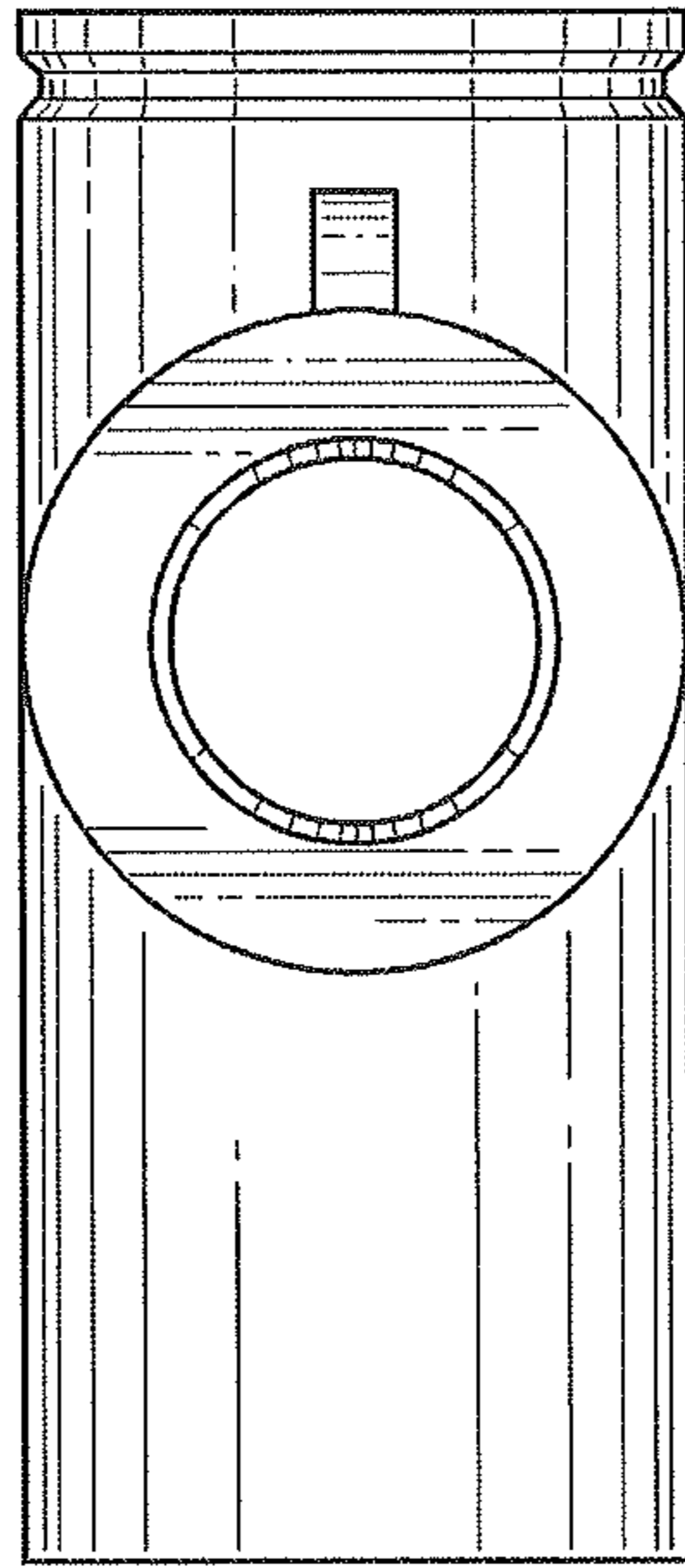
**FIG. 2**



**FIG. 3**



**FIG. 4**



**FIG. 5**

