



US00D779430S

(12) **United States Design Patent** (10) **Patent No.:** **US D779,430 S**  
**Hayashizaka et al.** (45) **Date of Patent:** **\*\* Feb. 21, 2017**

(54) **MOLDED COIL**

CPC ..... H01F 27/34; H01F 27/362; H01F 38/14;  
H01F 17/0006; H01F 5/003; H02J 3/12;  
H02J 5/005

(71) Applicants: **SUMITOMO SEIKA CHEMICALS CO., LTD.**, Kako-gun, Hyogo (JP); **NATIONAL INSTITUTE OF ADVANCED INDUSTRIAL SCIENCE AND TECHNOLOGY**, Tokyo (JP); **I & P CO., LTD.**, Higashimatsuyama-shi, Saitama (JP)

See application file for complete search history.

(72) Inventors: **Noriyuki Hayashizaka**, Kako-gun (JP); **Daisuke Mishou**, Kako-gun (JP); **Takeo Ebina**, Sendai (JP); **Satomi Hattori**, Fukuroi (JP); **Takahiro Ishida**, Fukuroi (JP); **Tomoyuki Yamaguchi**, Higashimatsuyama (JP)

(56) **References Cited**

U.S. PATENT DOCUMENTS

D44,952 S \* 12/1913 Buser ..... D8/374  
D97,302 S \* 10/1935 Parness et al. .... D3/294  
4,048,606 A \* 9/1977 Miller ..... H01F 27/325  
242/118.4  
D295,401 S \* 4/1988 Klees ..... D13/182  
D312,073 S \* 11/1990 Mitchell ..... D13/183  
D330,541 S \* 10/1992 Burrow ..... D13/118

(Continued)

*Primary Examiner* — Derrick Holland

*Assistant Examiner* — Jennifer O King

(73) Assignees: **SUMITOMO SEIKA CHEMICALS CO., LTD.**, Hyogo (JP); **NATIONAL INSTITUTE OF ADVANCED INDUSTRIAL SCIENCE AND TECHNOLOGY**, Tokyo (JP); **I&P CO., LTD.**, Saitama (JP)

(74) *Attorney, Agent, or Firm* — Sughrue Mion, PLLC

(57) **CLAIM**

The ornamental design for a molded coil, as shown and described.

(\*\*) Term: **15 Years**

**DESCRIPTION**

(21) Appl. No.: **29/533,609**

FIG. 1 is a front view of a molded coil of the present invention.

(22) Filed: **Jul. 20, 2015**

FIG. 2 is a rear view thereof;

(30) **Foreign Application Priority Data**

Jan. 21, 2015 (JP) ..... D2015-001018

FIG. 3 is a top plan view thereof;

(51) **LOC (10) Cl.** ..... **13-02**

FIG. 4 is a bottom view thereof;

(52) **U.S. Cl.**  
USPC ..... **D13/117**

FIG. 5 is a right side view thereof;

(58) **Field of Classification Search**  
USPC ..... D13/113, 117, 122, 118, 182, 183, 199;  
242/160.1, 160.4, 360; 335/13, 134, 136,  
335/213, 282; 336/15, 69, 70, 139, 174,  
336/198

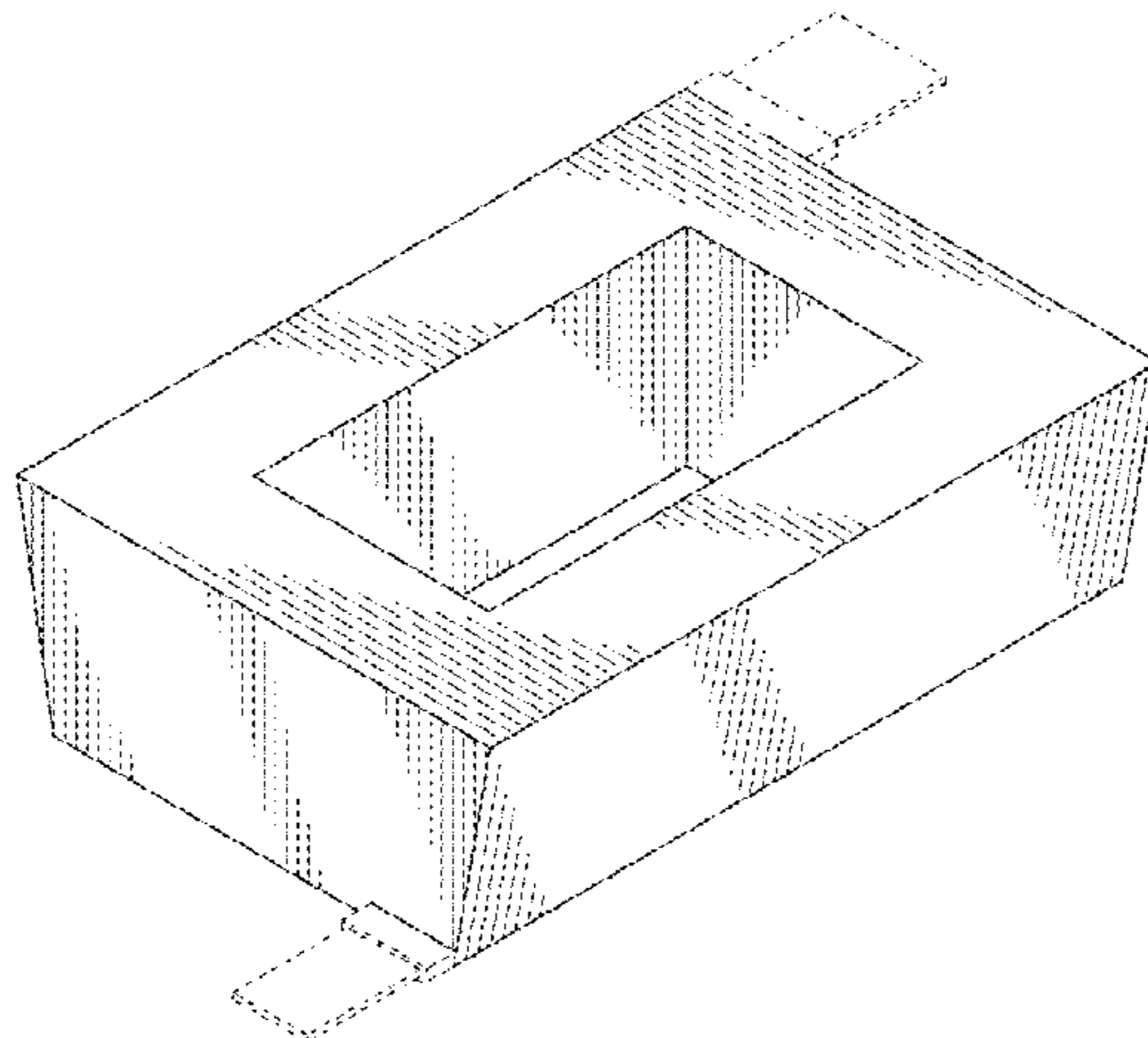
FIG. 6 is a left side view thereof;

FIG. 7 is a front perspective view thereof; and,

FIG. 8 is a rear perspective view thereof.

The broken lines shown represent unclaimed subject matter only and form no part of the claim. Where the dot-dash broken lines abut the shaded surface it is understood that those broken lines represent an unclaimed boundary between claimed and unclaimed surfaces. None of the broken lines form any part of the claimed design.

**1 Claim, 8 Drawing Sheets**



(56)

**References Cited**

U.S. PATENT DOCUMENTS

5,369,511 A \* 11/1994 Amos ..... G02B 5/001  
359/107  
D400,318 S \* 10/1998 Lucas ..... D30/161  
D441,823 S \* 5/2001 Blackhurst ..... D21/797  
D496,339 S \* 9/2004 Stanley ..... D13/182  
D522,307 S \* 6/2006 Mariani ..... D7/355  
D607,219 S \* 1/2010 Goldman ..... D6/328  
7,868,726 B2 \* 1/2011 Asano ..... H01F 41/082  
242/347  
D684,544 S \* 6/2013 Nagaune ..... D13/179  
D736,726 S \* 8/2015 Andersen ..... D13/152  
D742,842 S \* 11/2015 Hayashi ..... D13/182  
2007/0115085 A1 \* 5/2007 Clemmons ..... H01F 3/14  
336/181

\* cited by examiner

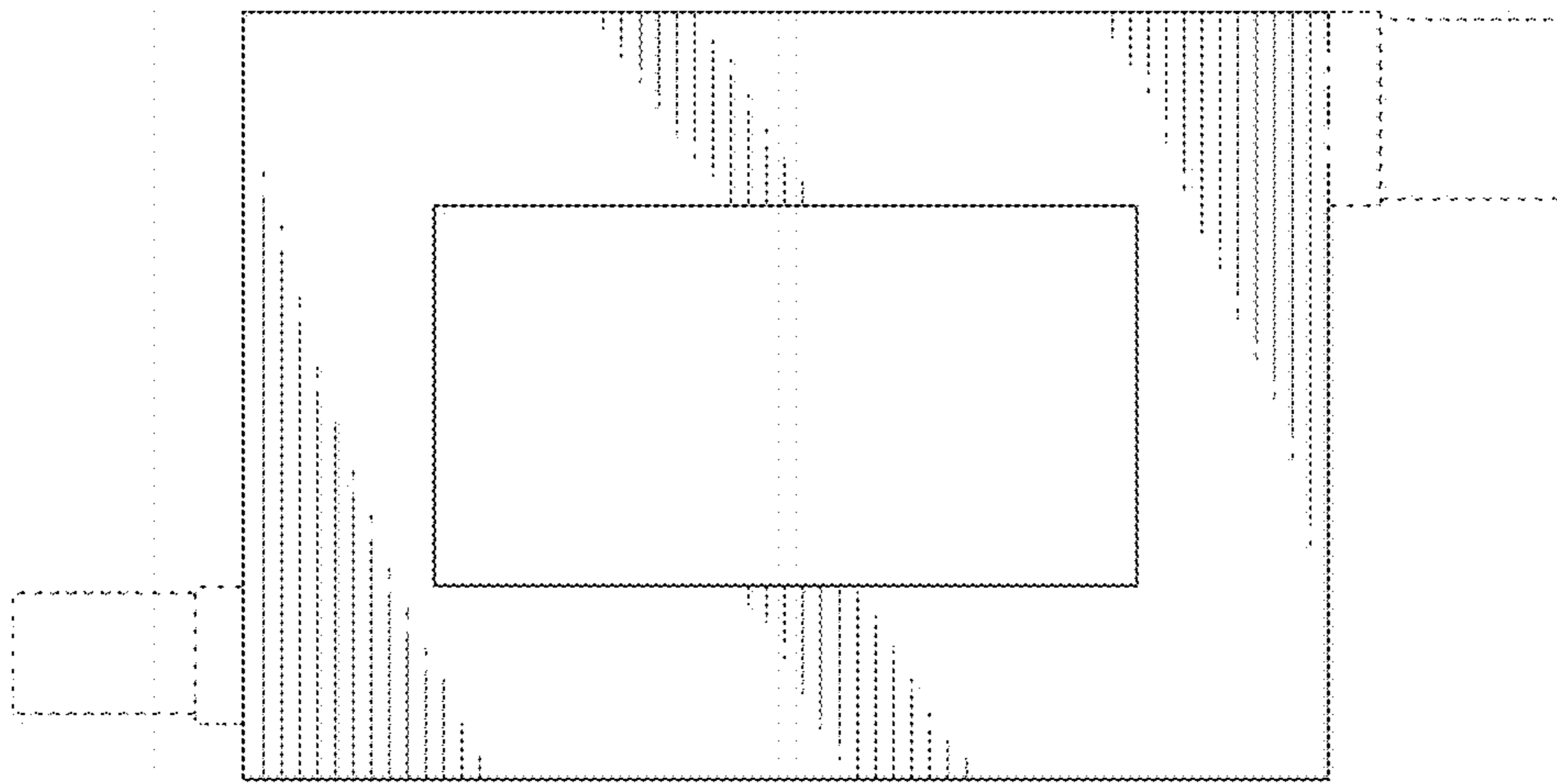


Fig. 1

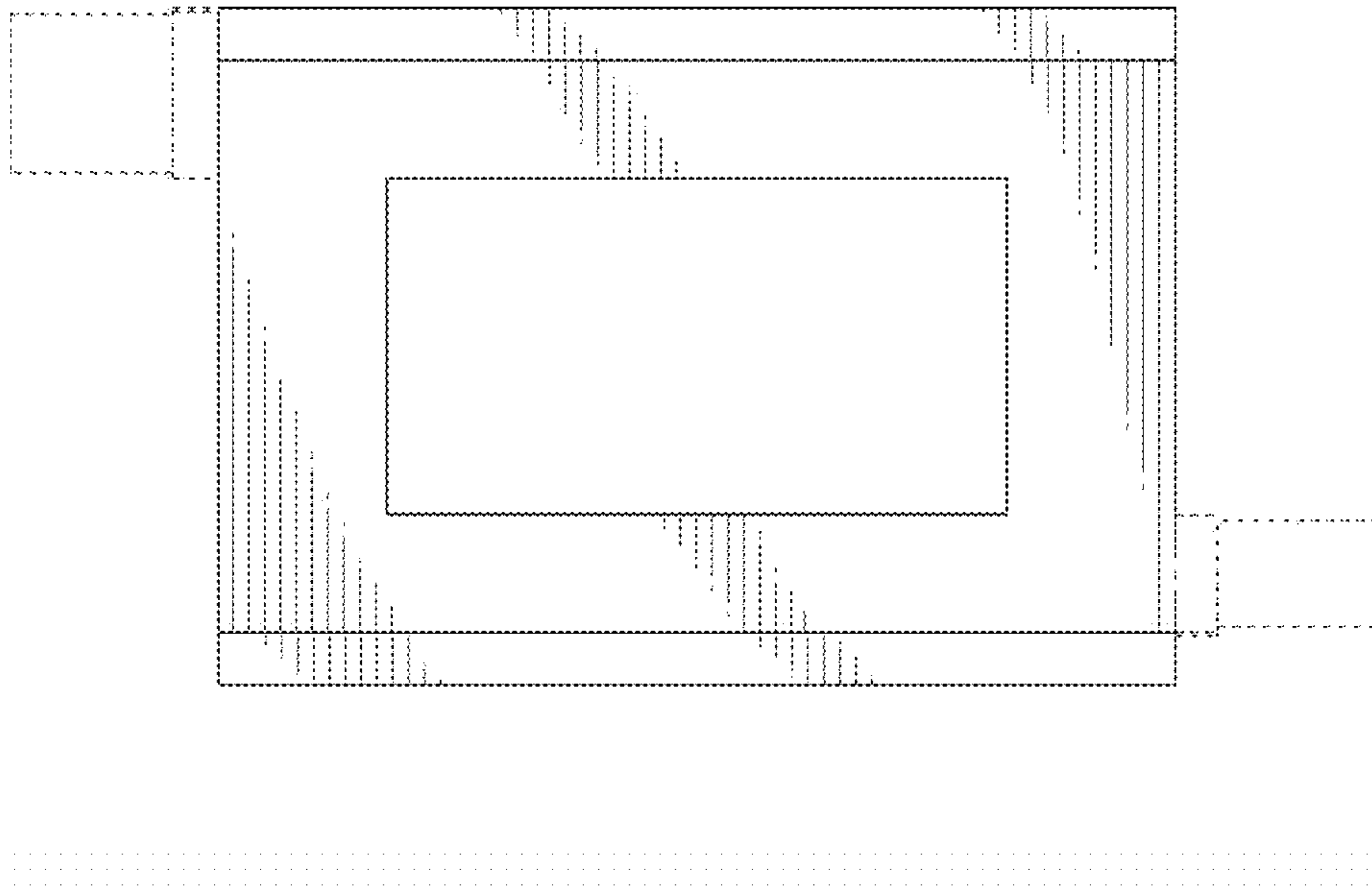


Fig.2

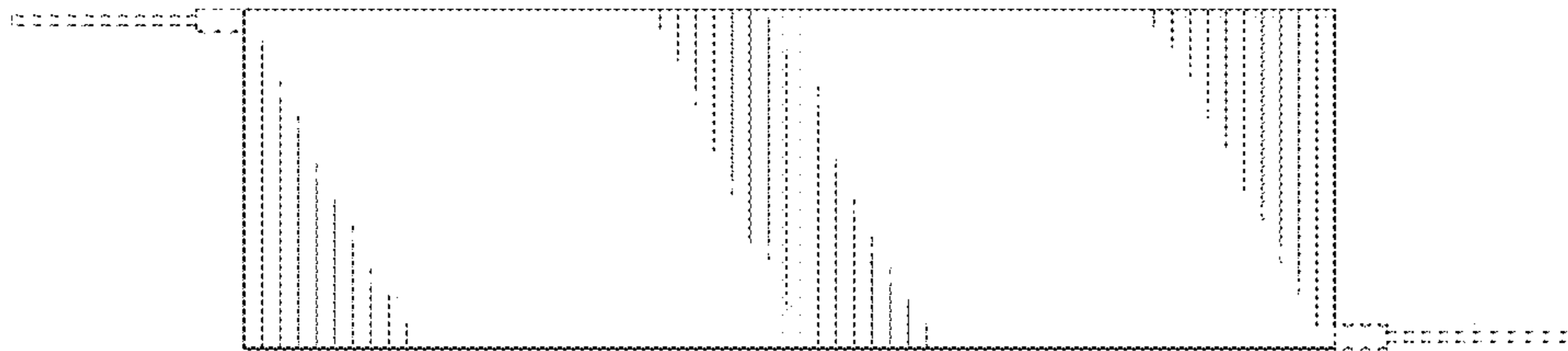


Fig.3

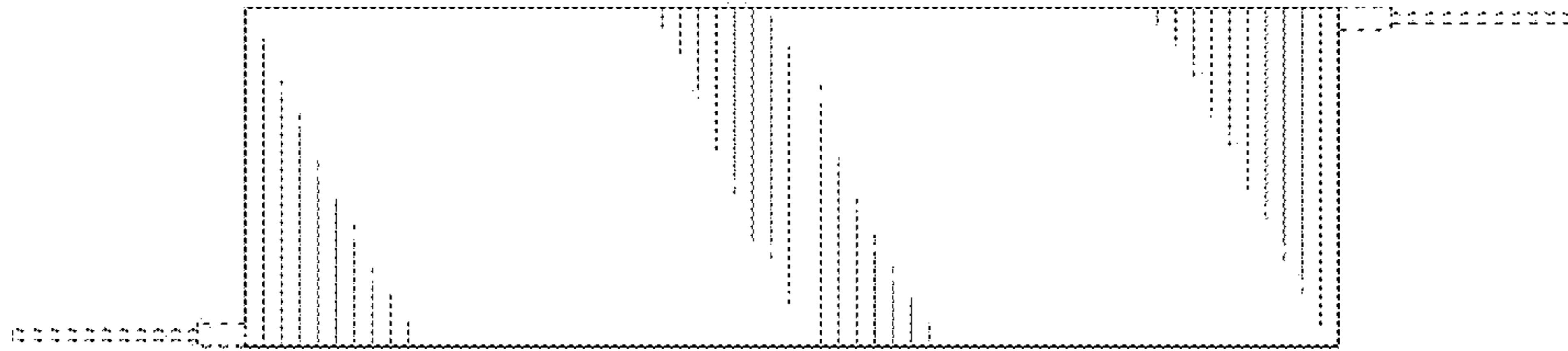


Fig.4

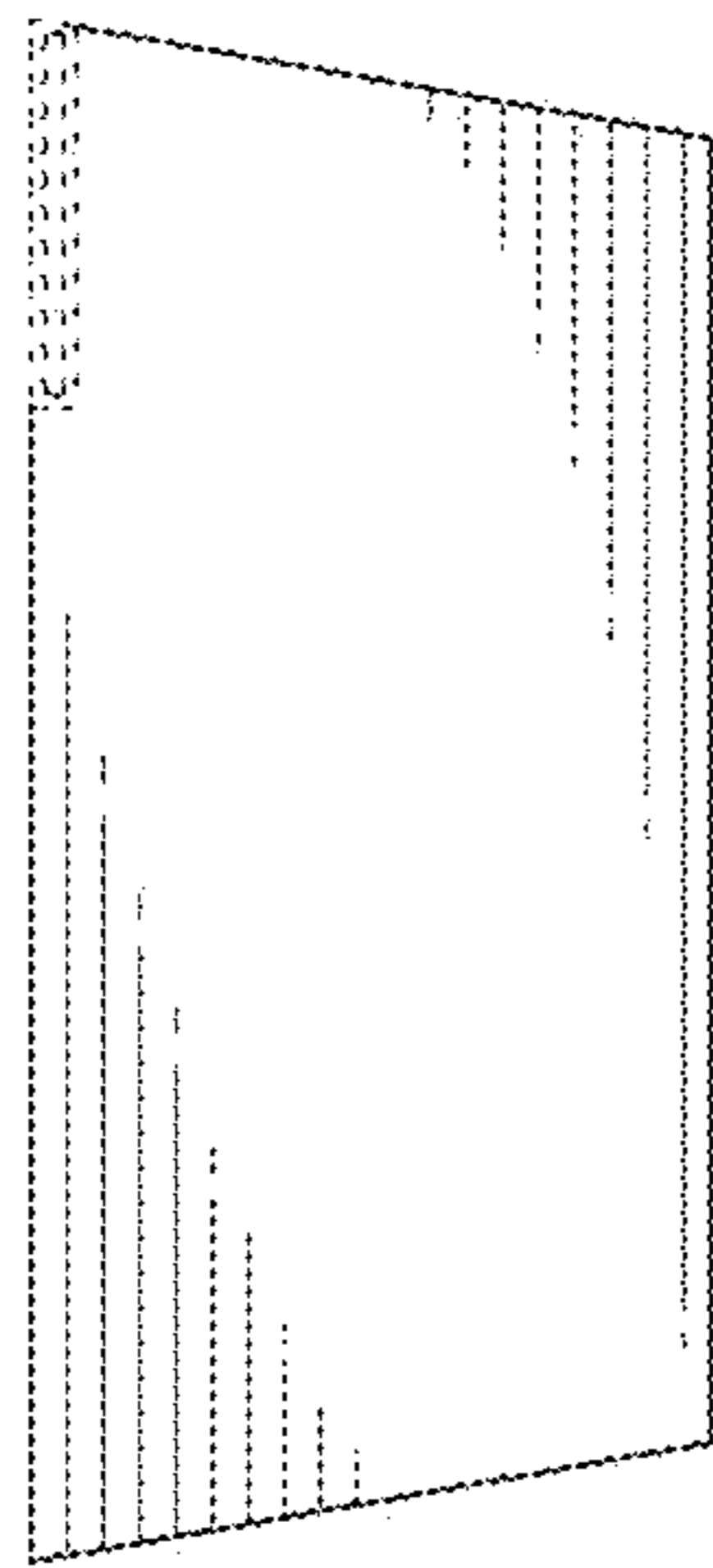


Fig.5

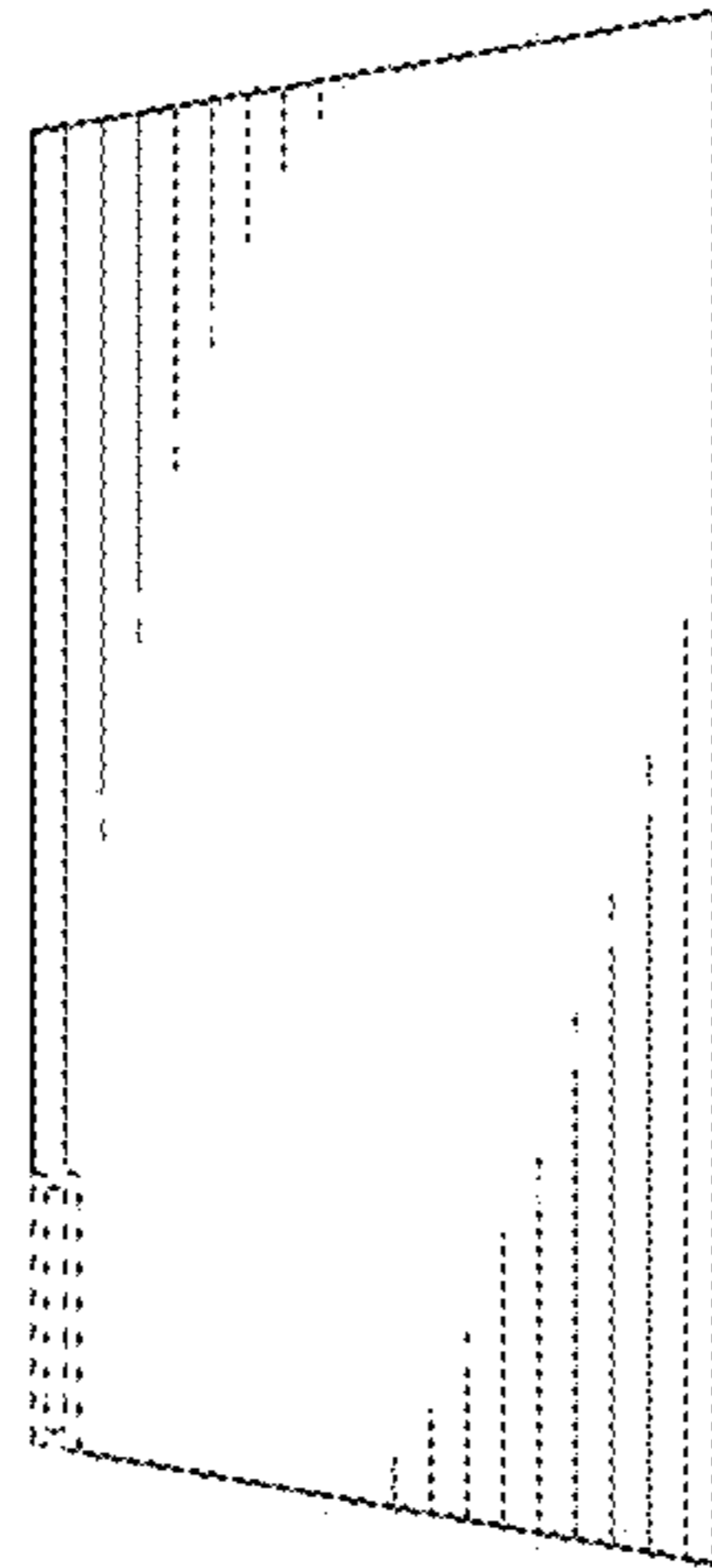


Fig.6



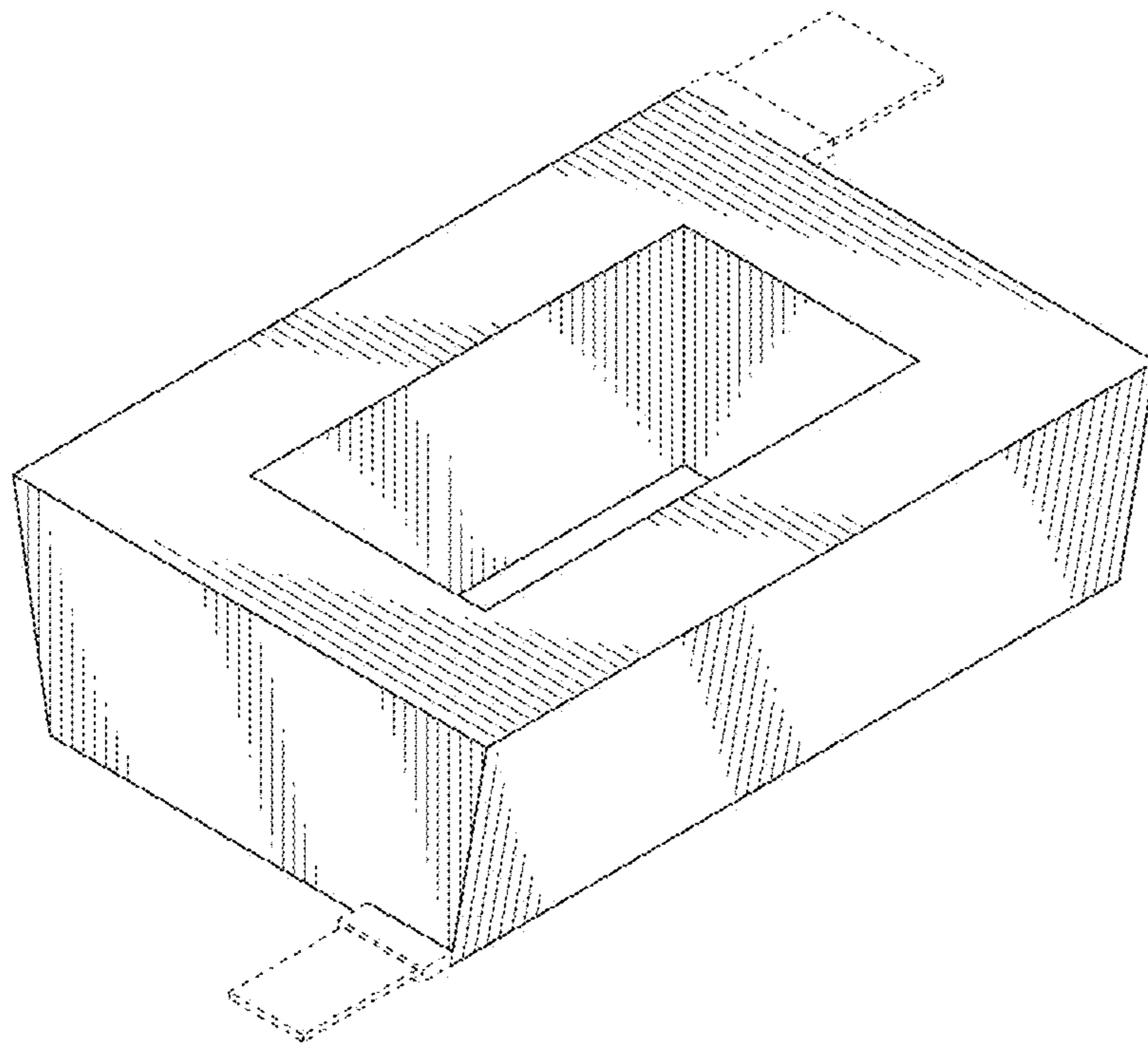


Fig.7

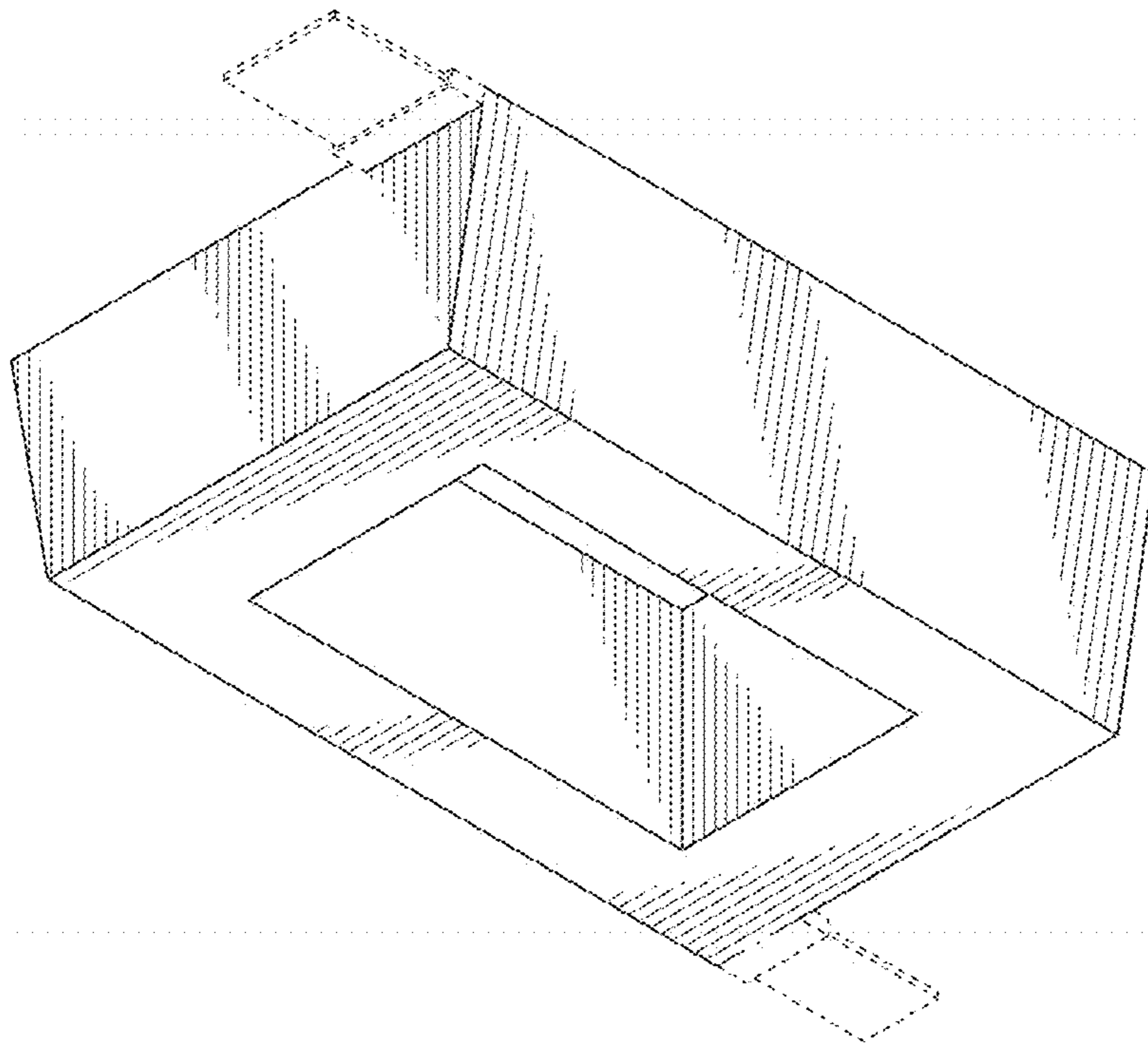


Fig.8