



US00D779428S

(12) **United States Design Patent**
Mayer

(10) **Patent No.:** **US D779,428 S**

(45) **Date of Patent:** **** Feb. 21, 2017**

(54) **ELECTRIC MOTOR**
(71) Applicant: **MAXON MOTOR AG**, Sachseln (CH)
(72) Inventor: **Jürgen Mayer**, Sachseln (CH)
(**) Term: **15 Years**
(21) Appl. No.: **35/500,147**
(22) Filed: **Aug. 26, 2015**
(80) **Hague Agreement Data**
Int. Filing Date: **Aug. 26, 2015**
Int. Reg. No.: **DM/087473**
Int. Reg. Date: **Aug. 26, 2015**
Int. Reg. Pub. Date: **Sep. 25, 2015**

(51) **LOC (10) Cl.** **13-01**
(52) **U.S. Cl.**
CPC **A61M 16/0616** (2014.02); **H02K 3/24**
(2013.01)
USPC **D13/112**
(58) **Field of Classification Search**
USPC D13/101-118, 122-123, 154, 162, 164,
D13/184; D15/3, 5, 199; 74/606 R, 609;
310/10, 40 MM, 40 R, 42, 51-91, 109,
310/236, 239, 254; 318/245, 255;
322/16, 39; 361/688, 704, 709;
29/596-598
See application file for complete search history.

(56) **References Cited**
U.S. PATENT DOCUMENTS
D287,715 S * 1/1987 Pittman, III D13/112
D306,009 S * 2/1990 Mintz D13/112

4,988,905 A * 1/1991 Tolmie, Jr. H02K 29/06
310/68 B
D336,890 S * 6/1993 Hirose D13/112
D424,516 S * 5/2000 Friedrichsen D13/112
D457,493 S * 5/2002 Borges D13/112
6,717,302 B2 * 4/2004 Kolloff G01P 3/486
310/68 B
D557,210 S * 12/2007 Liu D13/112
D573,091 S * 7/2008 Shih D13/112
D576,941 S * 9/2008 Evon D13/112
D597,943 S * 8/2009 Lin D13/112
D601,958 S * 10/2009 Huan D13/112
D610,988 S * 3/2010 Oohashi D13/112
D628,154 S * 11/2010 Veeh D13/112
D634,272 S * 3/2011 Veeh D13/112
D688,627 S * 8/2013 Veeh D13/112
D715,222 S * 10/2014 Saillard D13/112
D758,310 S * 6/2016 Veeh D13/112

* cited by examiner

Primary Examiner — Richard E Chilcot

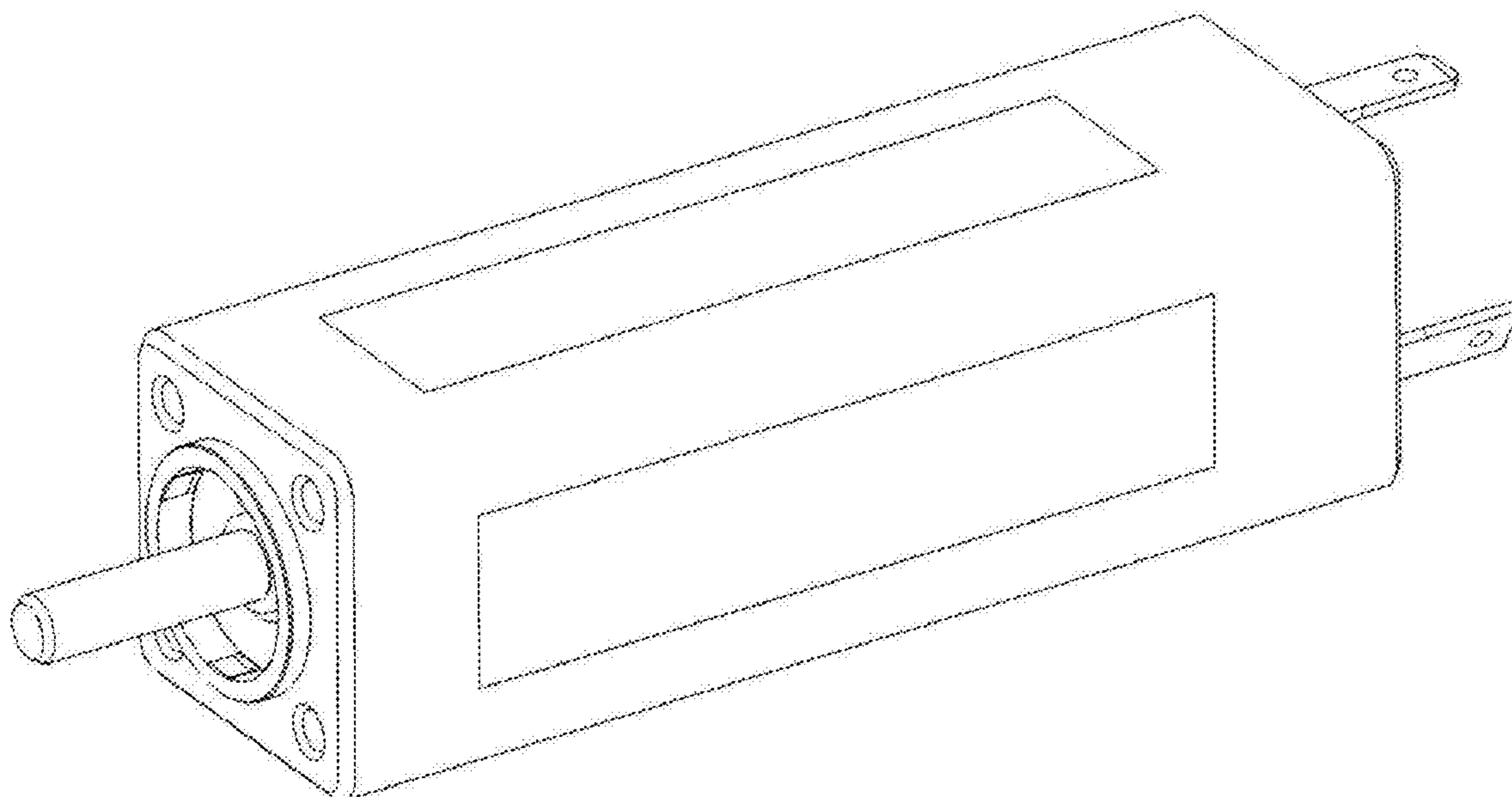
(57) **CLAIM**

The ornamental design for an electric motor, as shown and described.

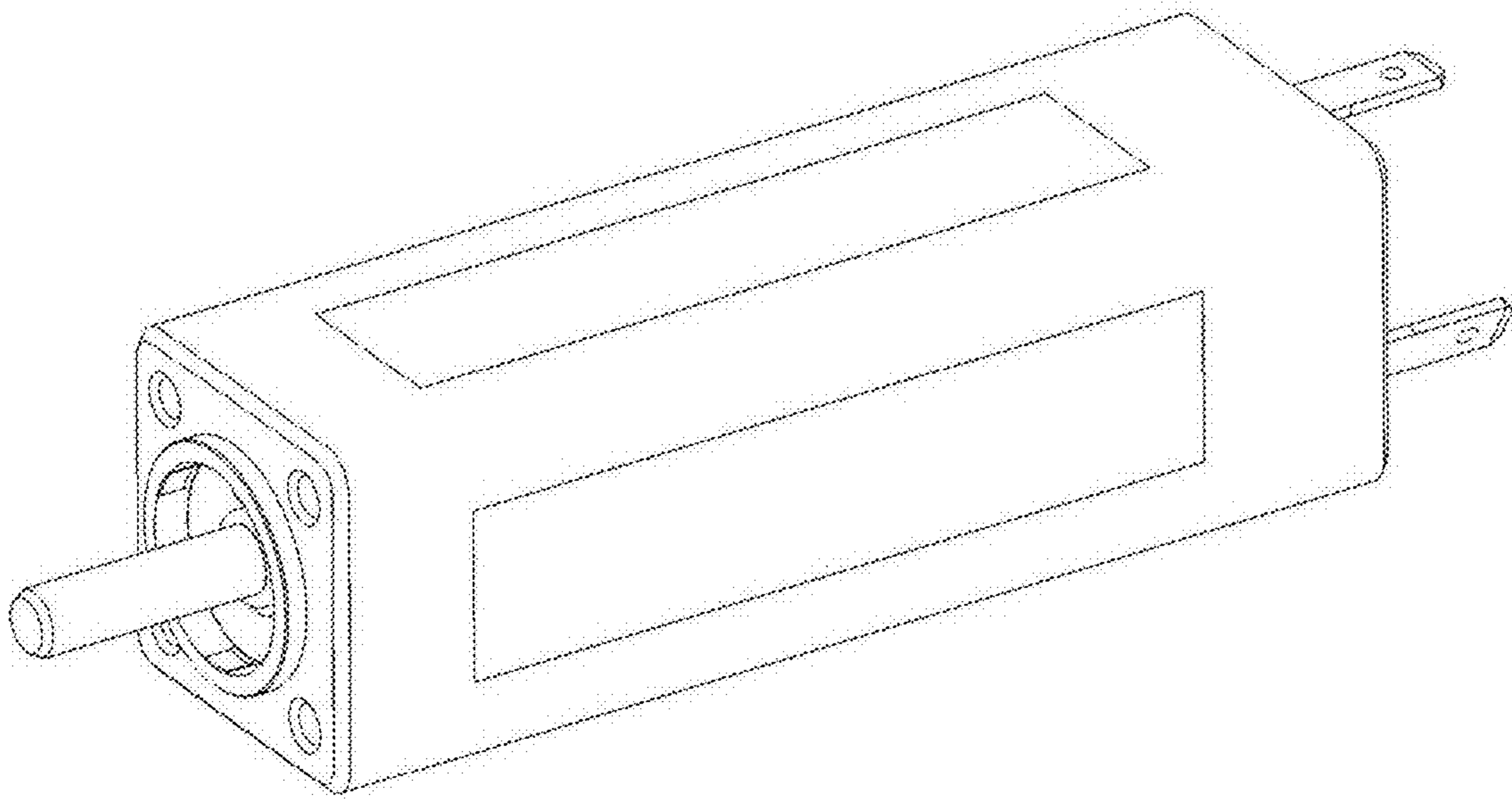
DESCRIPTION

- 1.1 is a front perspective view of the electric motor;
- 1.2 is a front end view thereof;
- 1.3 is a rear end view thereof;
- 1.4 is one side view thereof;
- 1.5 is another side view thereof;
- 1.6 is a top view thereof
- 1.7 is a bottom view thereof;
- 1.8 is a rear perspective view thereof.

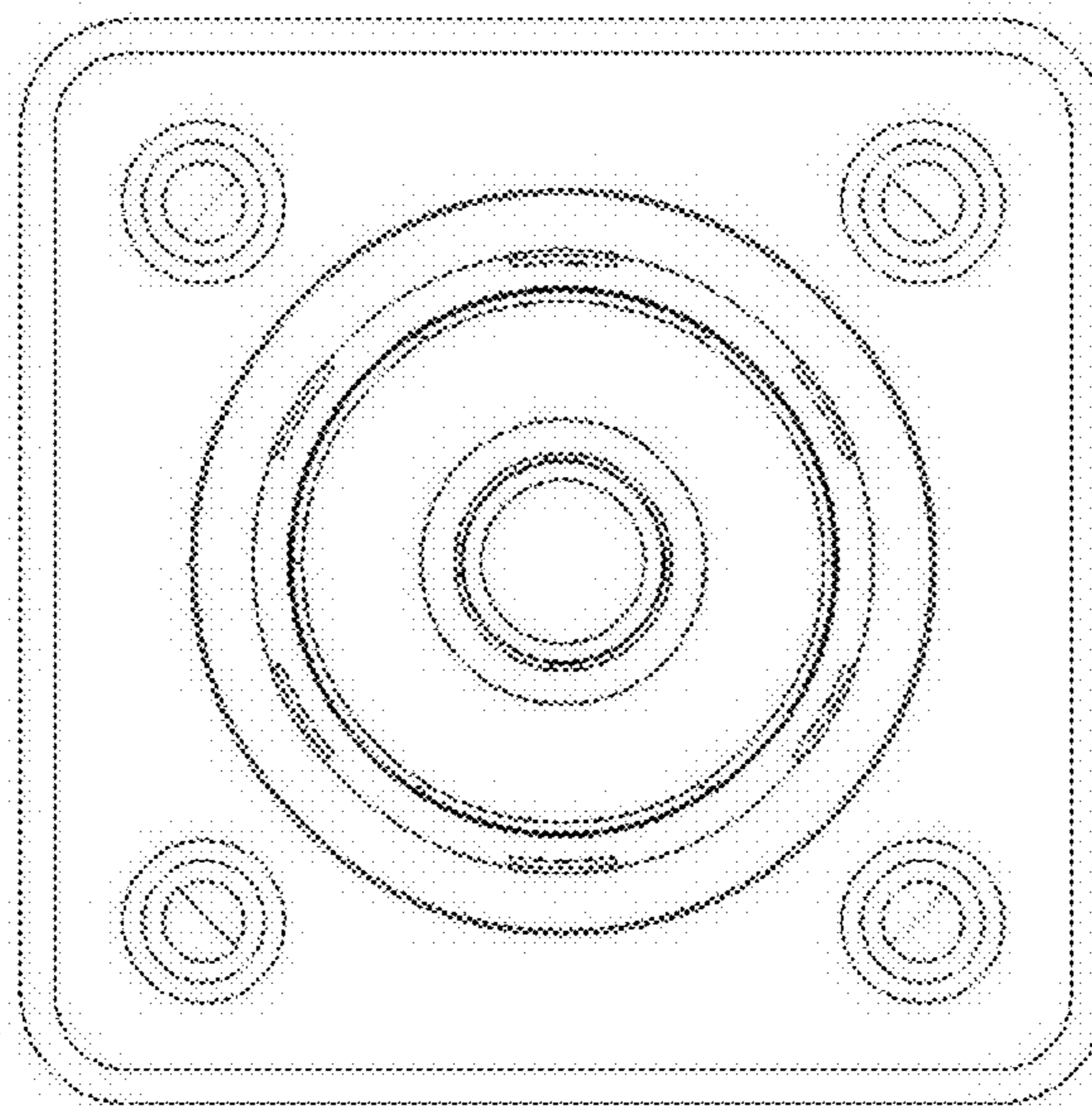
1 Claim, 8 Drawing Sheets



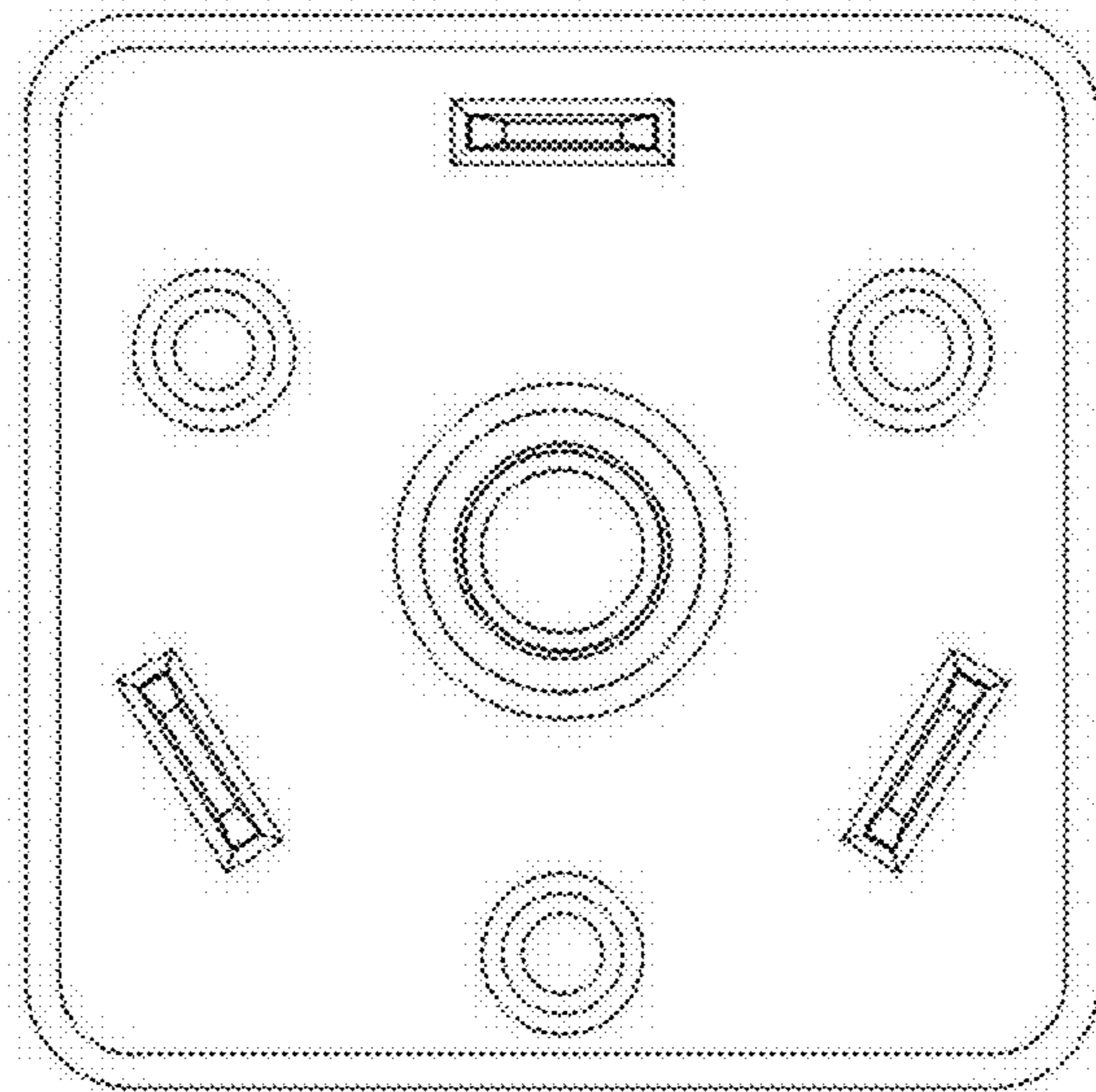
1.1



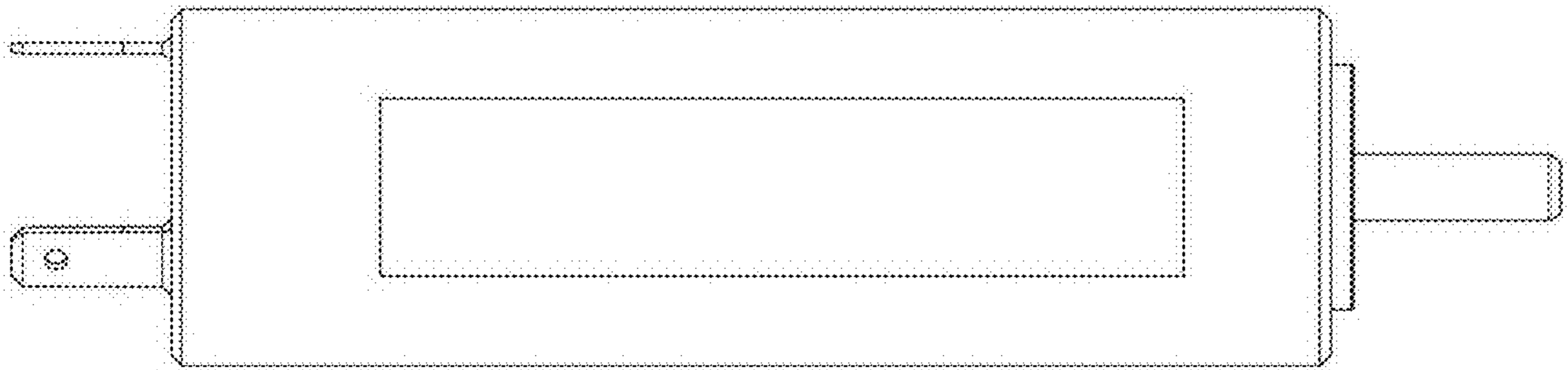
1.2



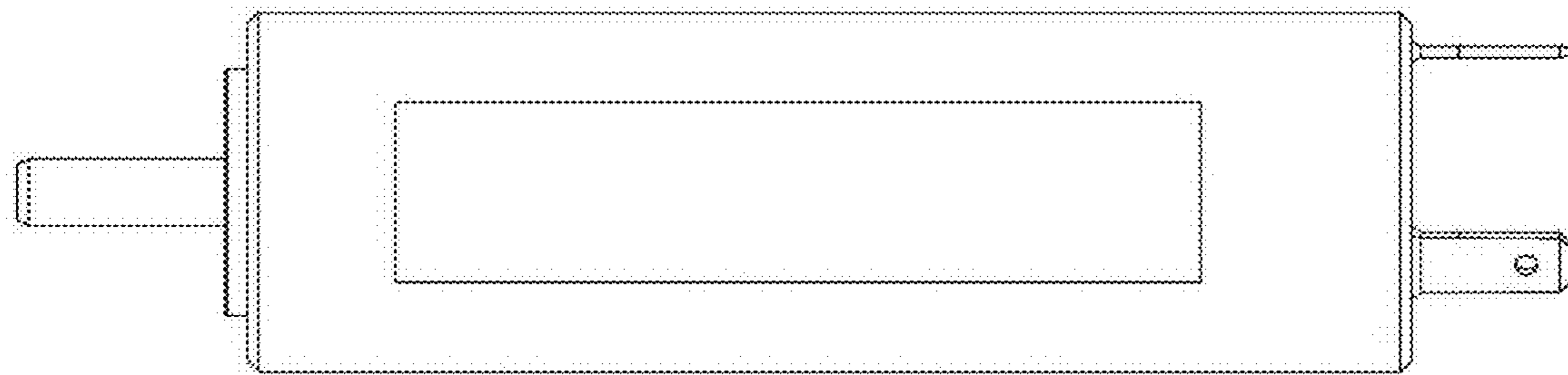
1.3



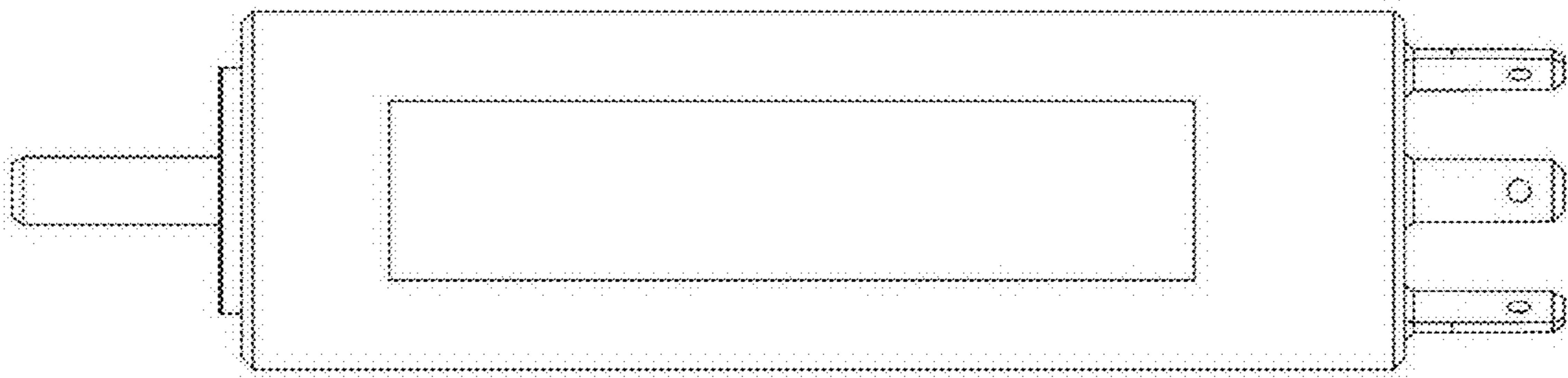
1.4



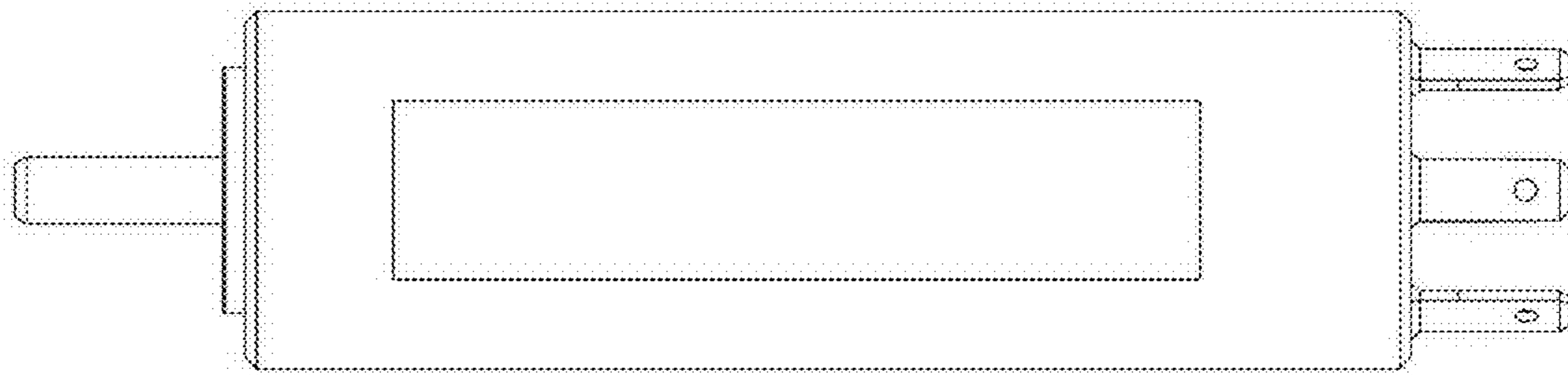
1.5



1.6



1.7



1.8

