



US00D779427S

(12) **United States Design Patent**
Juds et al.

(10) **Patent No.:** **US D779,427 S**
(45) **Date of Patent:** **** Feb. 21, 2017**

(54) **BATTERY VENT ADAPTER**
(71) Applicant: **Johnson Controls Technology Company**, Holland, MI (US)
(72) Inventors: **Jeffrey H. Juds**, Waukesha, WI (US); **Joseph E. Liedhegner**, Wauwatosa, WI (US)
(73) Assignee: **Johnson Controls Technology Company**, Holland, MI (US)

3,255,837 A 6/1966 Wolf
D250,531 S 12/1978 Demetreon
4,286,028 A 8/1981 Heiser et al.
D290,597 S 6/1987 Sherman
4,740,178 A 4/1988 Badenhorst et al.
D316,398 S * 4/1991 Hill D13/120
5,346,407 A * 9/1994 Hood B60R 16/04
439/202
5,390,636 A 2/1995 Baylor et al.
D380,730 S 7/1997 Green
D405,058 S * 2/1999 Nakamura D13/156
(Continued)

(**) Term: **15 Years**

OTHER PUBLICATIONS

(21) Appl. No.: **29/564,421**

Porsche 996 DIY: Battery Replacement; <http://www.euroaddiction.net/forum/996-997-turbo-diy-how-section/6180-porsche-996-diy-battery-replacement.html>; Apr. 27, 2011; 12 pgs.

(22) Filed: **May 12, 2016**

(Continued)

Related U.S. Application Data

(60) Division of application No. 29/497,629, filed on Jul. 25, 2014, now Pat. No. Des. 760,650, which is a continuation-in-part of application No. 14/337,479, filed on Jul. 22, 2014.

Primary Examiner — Derrick Holland

(74) *Attorney, Agent, or Firm* — Fletcher Yoder P.C.

(51) **LOC (10) Cl.** **13-02**

(52) **U.S. Cl.**
USPC **D13/110; D13/120**

(57)

CLAIM

We claim the ornamental design for a battery vent adapter, as shown and described.

(58) **Field of Classification Search**
USPC D13/101, 110, 119, 120, 184, 199;
D15/199; 439/620.26, 754, 761, 763, 764
CPC H01R 11/00; H01R 11/28; H01R 11/32;
H01R 11/281; H01R 11/284; H01R
11/286; H01R 11/287; H01R 13/68;
H01R 13/115; H01R 31/02; Y10S
439/907

DESCRIPTION

FIG. 1 is a perspective view of a battery vent adapter showing our new design;
FIG. 2 is another perspective view thereof;
FIG. 3 is a right side view thereof, the left side view being a mirror image;
FIG. 4 is a top plan view thereof;
FIG. 5 is a bottom plan view thereof;
FIG. 6 is a front elevation view thereof; and,
FIG. 7 is a back elevation view thereof.
The subject matter shown in broken lines in the drawings constituting environment only and forming no part of the protection claimed.

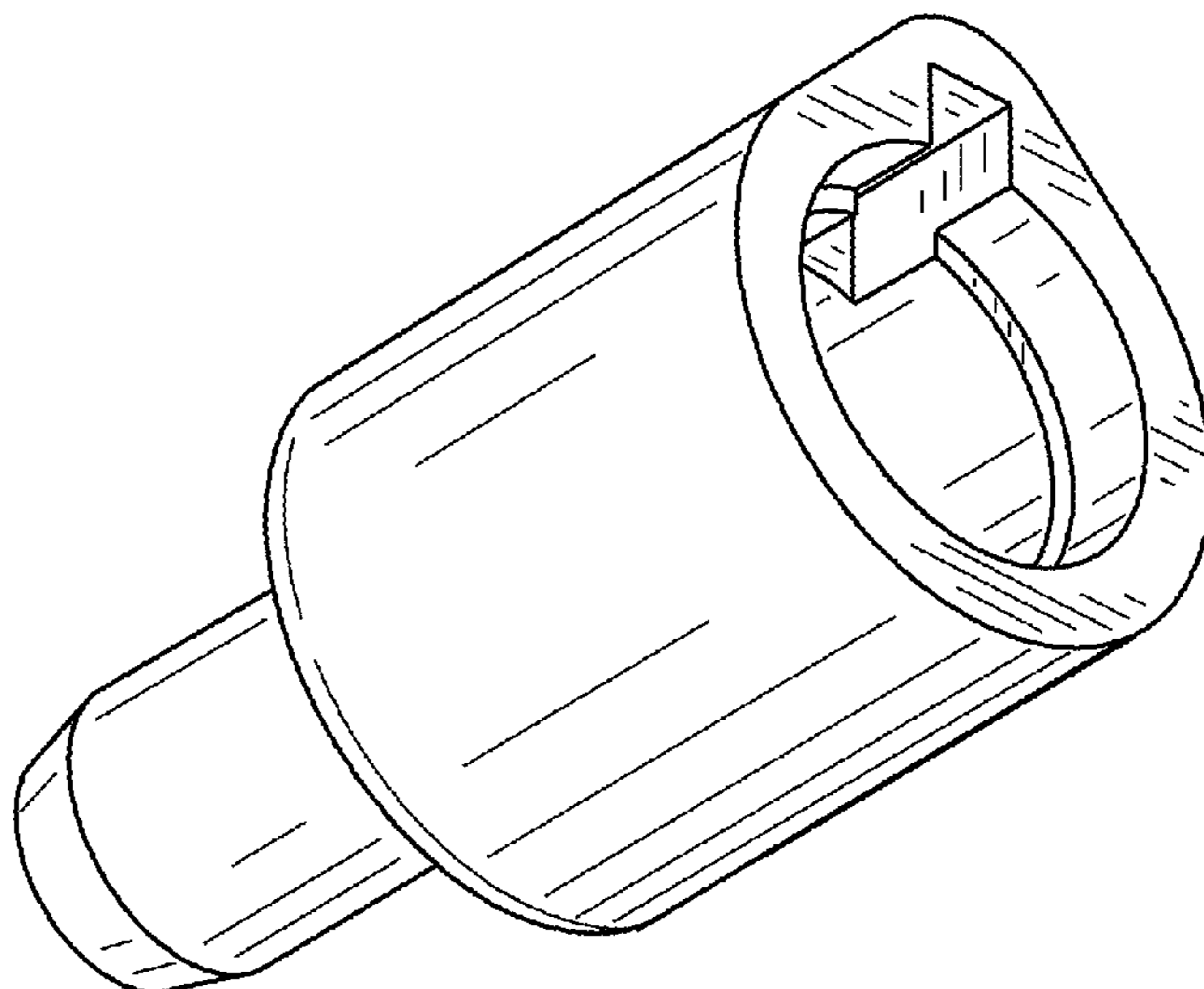
See application file for complete search history.

(56) **References Cited**

U.S. PATENT DOCUMENTS

2,330,669 A 9/1943 Biles
3,040,116 A 6/1962 Gauvin

1 Claim, 2 Drawing Sheets



(56)

References Cited

U.S. PATENT DOCUMENTS

D405,423 S * 2/1999 Nakamura D13/156
5,890,960 A 4/1999 Cronan et al.
6,225,006 B1 5/2001 Kump
D453,496 S * 2/2002 Lee D13/120
D485,235 S 1/2004 Liang
6,932,650 B1 8/2005 Freitag
7,228,859 B2 6/2007 Loescher
7,573,229 B2 8/2009 Arakelian
2004/0074538 A1 4/2004 Ortenzi et al.
2005/0166993 A1 8/2005 Viken
2013/0266826 A1 10/2013 Cowperthwaite
2014/0329142 A1 11/2014 Dickinson
2015/0300892 A1 10/2015 Malhotra

OTHER PUBLICATIONS

Boxster Batteries; "Dead Battery and Can't Get in to Charge it?";
<https://sites.google.com/site/mikefocke2/batteries>; (unknown date);
15 pgs.

Concord Battery Company; Elbow barbed coupling assy, 1/4 to 1/2";
<http://www.concordebattery.com/pdfs/5-0349.pdf>; (unknown date);
1 pg.

Concord Battery Company; Elbow, vent adapter, 3/8" x 1/2"; <http://www.concordebattery.com/pdfs/8003.pdf>; (unknown date); 1 pg.

Battery Council International; "Batter Replacement Data Book—
2013 Edition"; 105 pgs.

East Penn Manufacturing Co. Inc., "Valve-Regulated Lead-Acid
(VRLA) Gelled Electrolyte (Gel) and Absorbed Glass Mat (AGM)
Batteries; (2012); 7 pgs.

International Search Report & Written Opinion for International
Application No. PCT/US2014/048044 mailed Dec. 3, 2014.

* cited by examiner

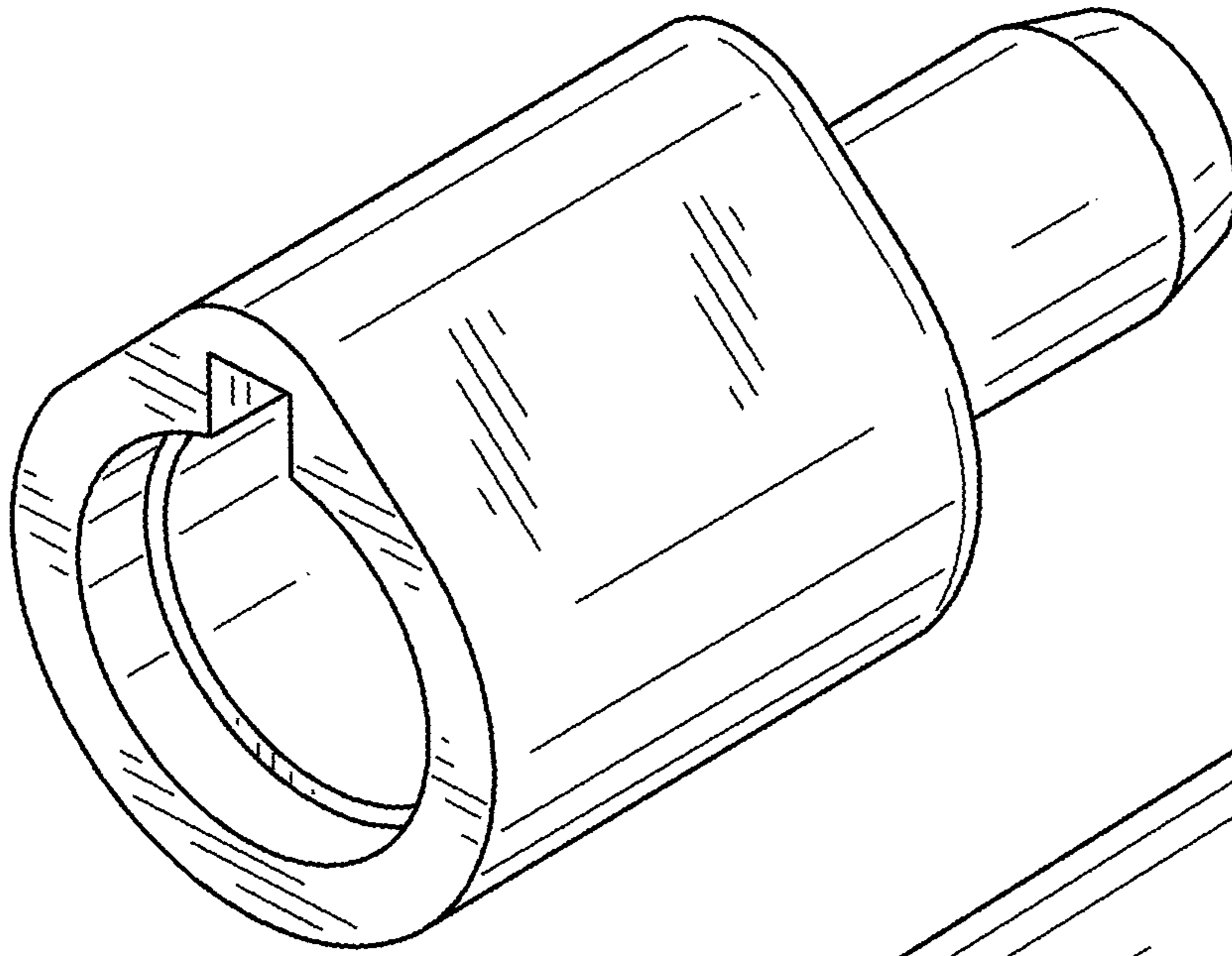


FIG. 1

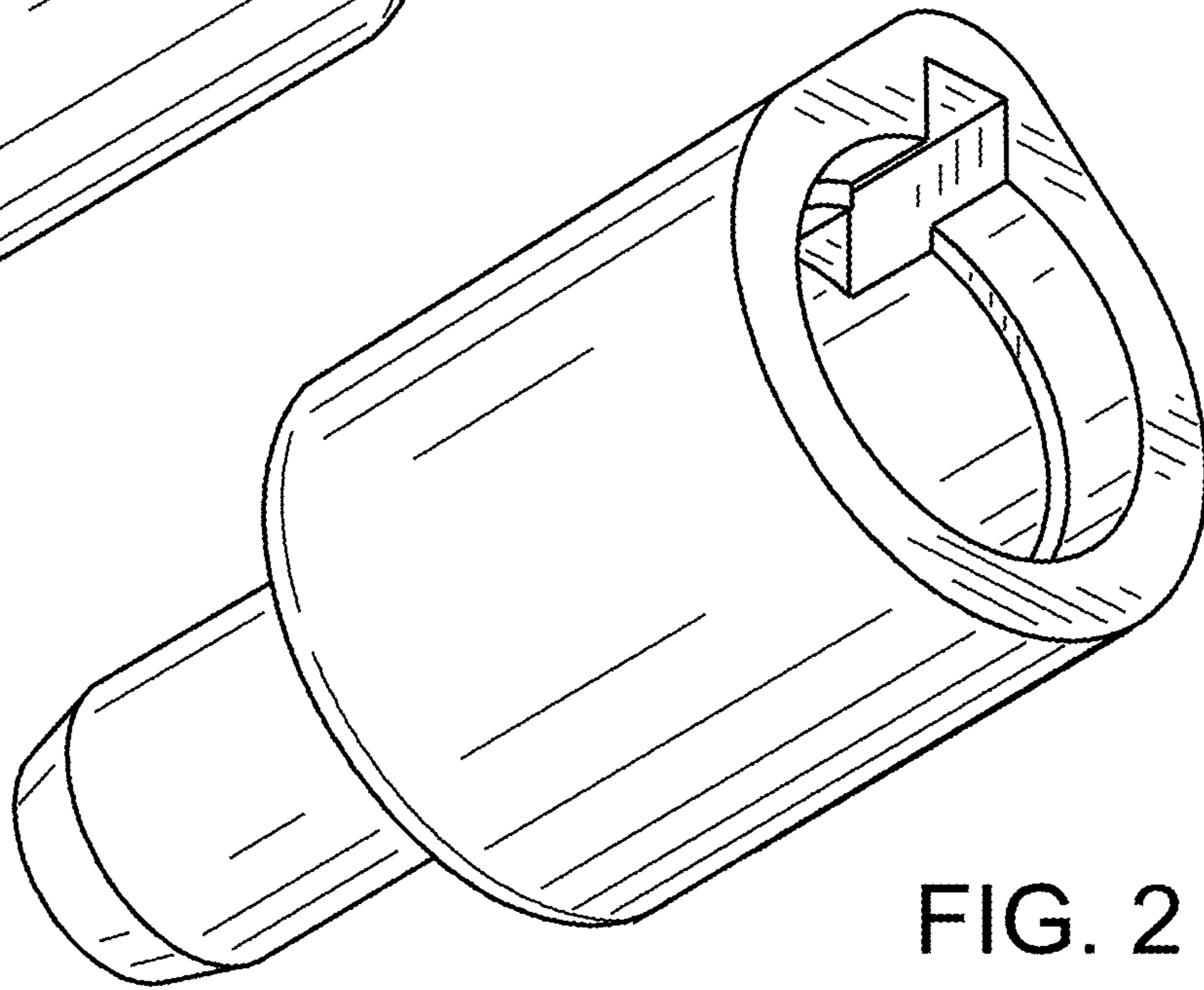


FIG. 2

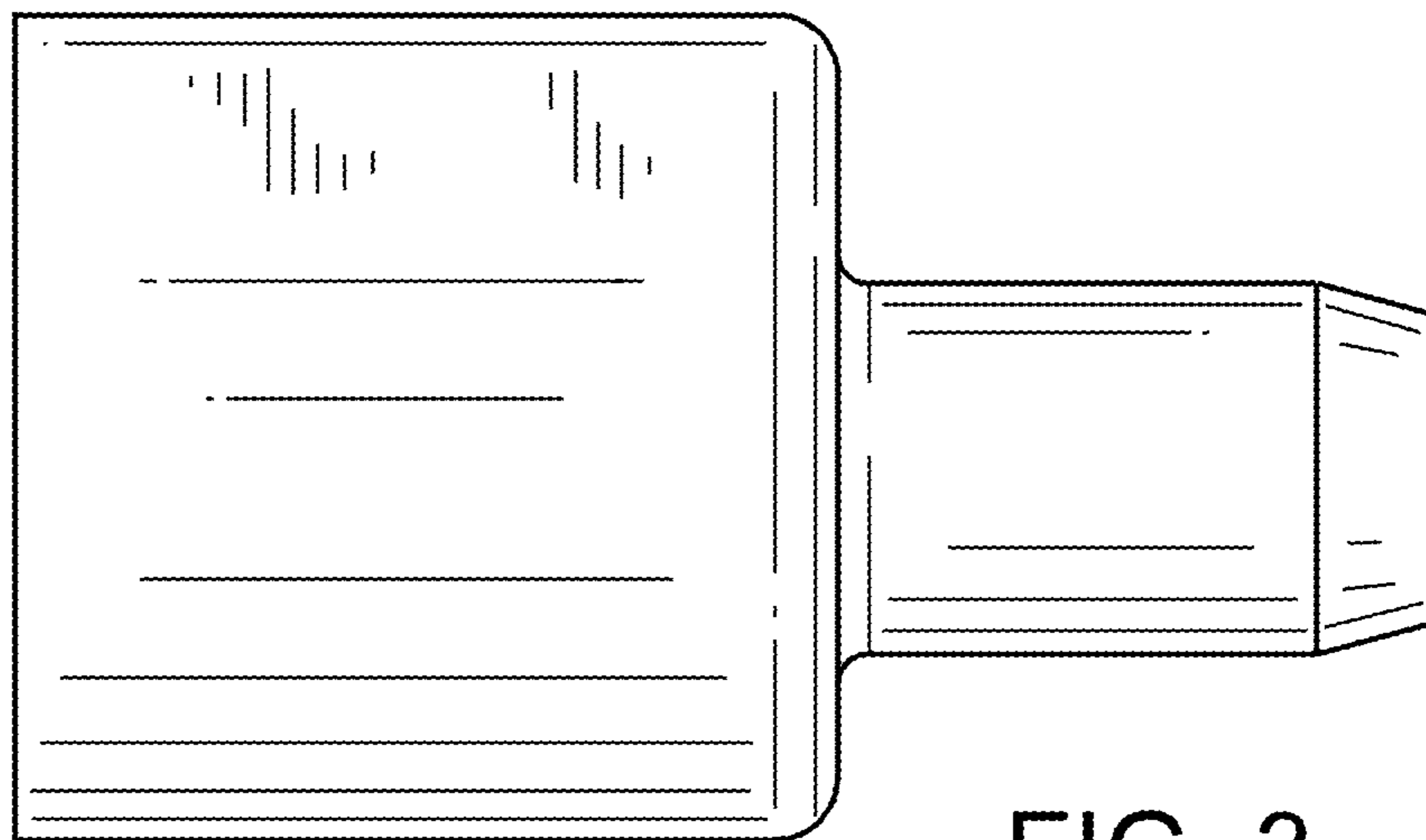


FIG. 3

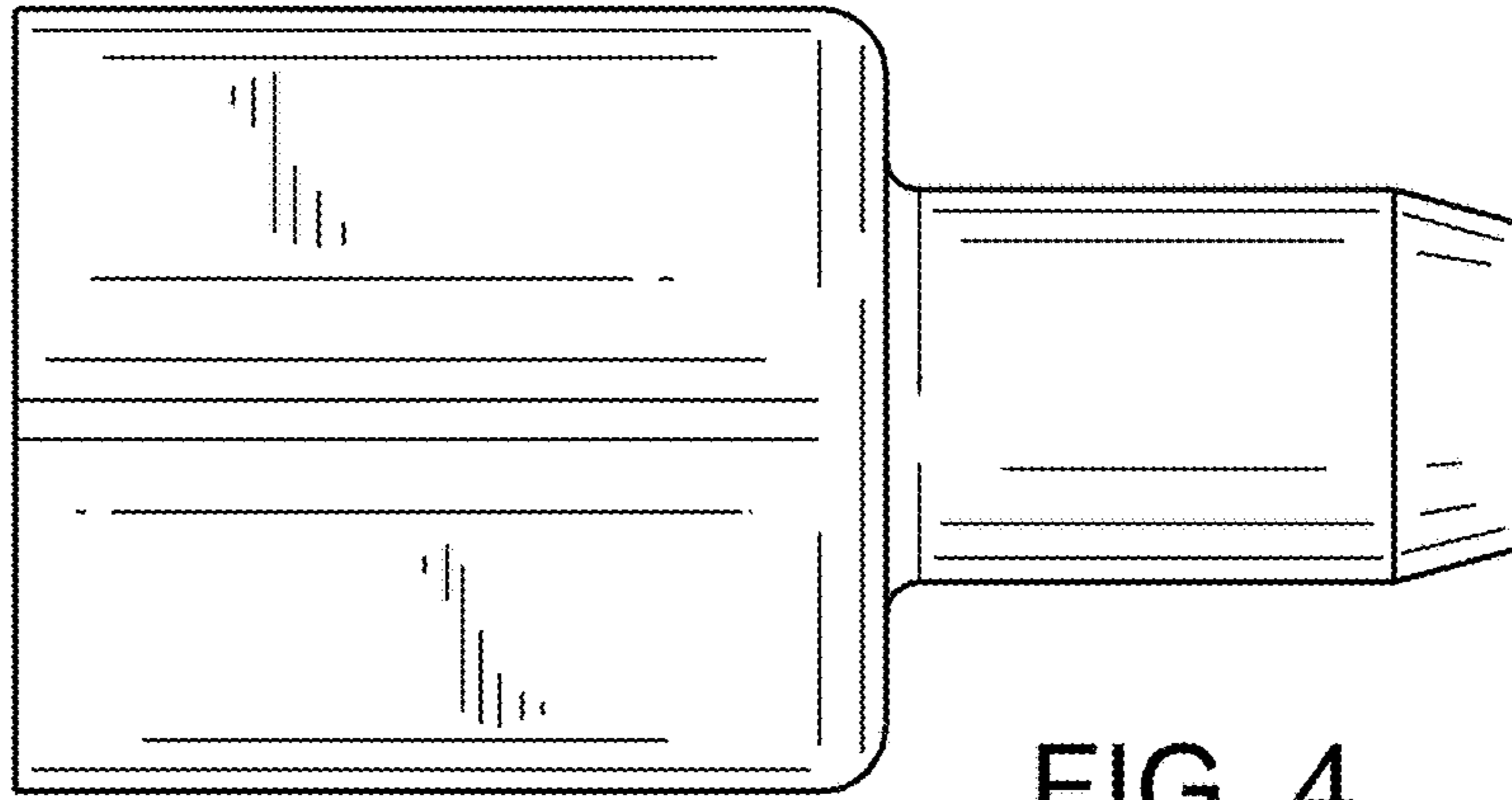


FIG. 4

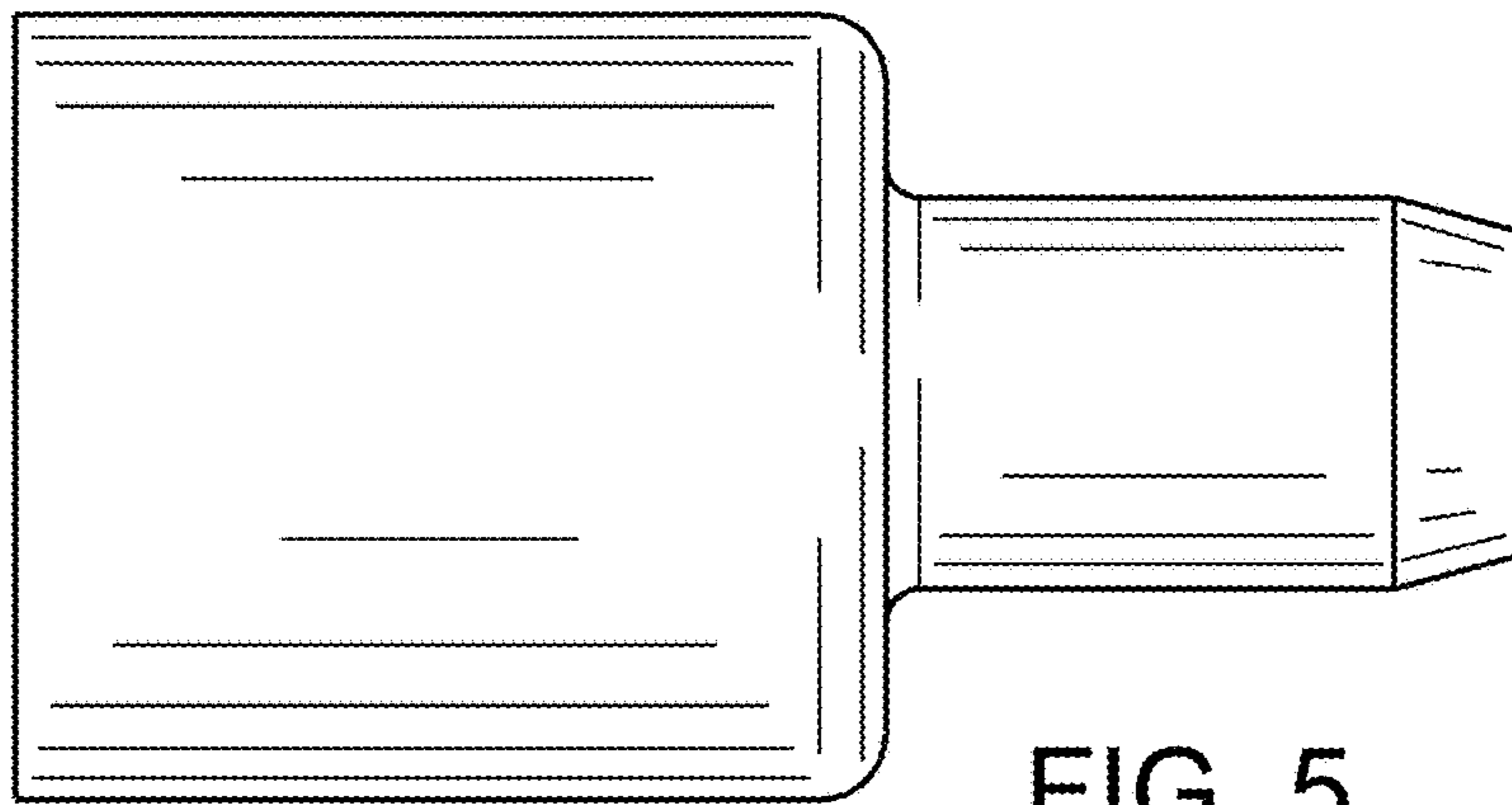


FIG. 5

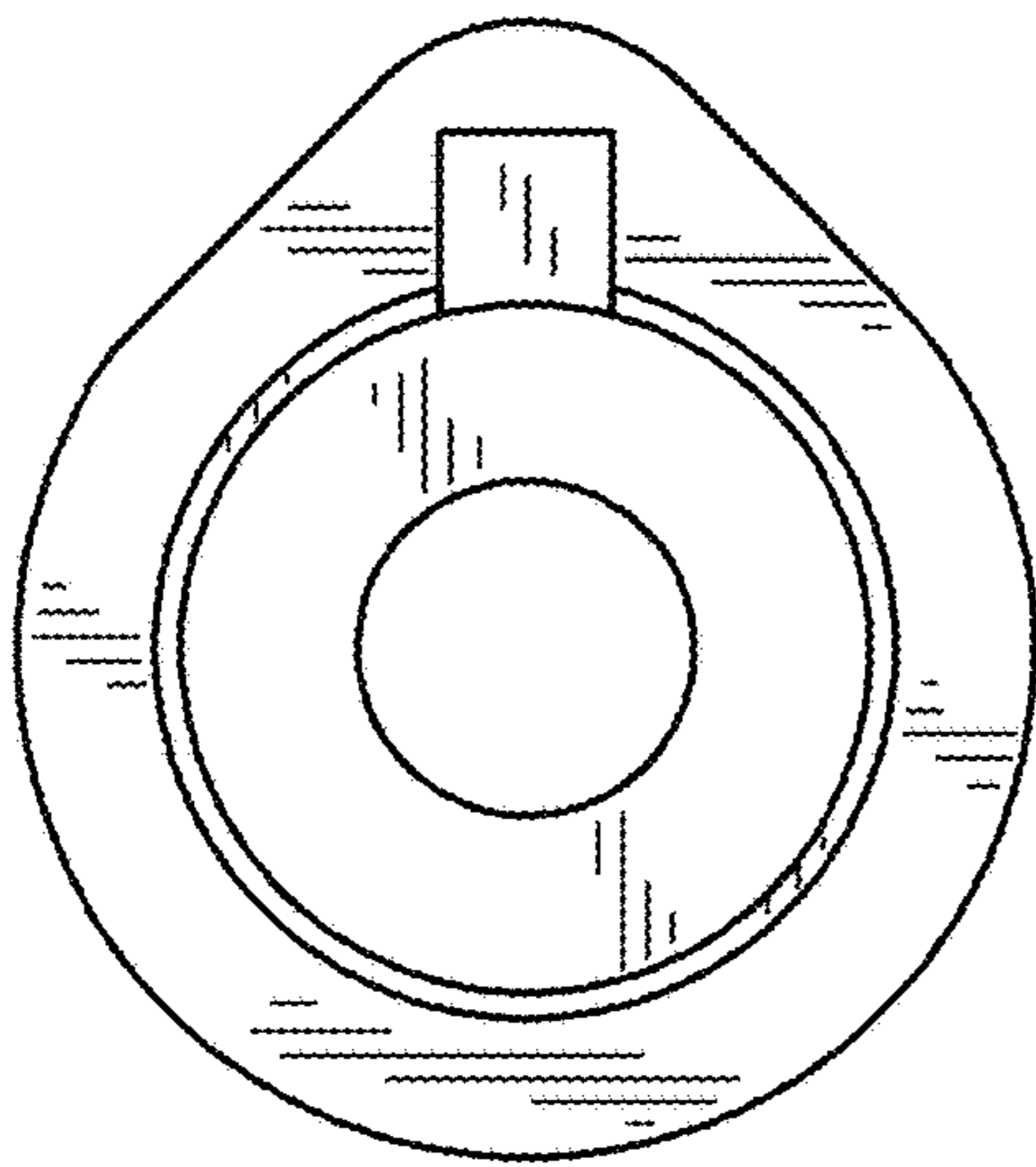


FIG. 6

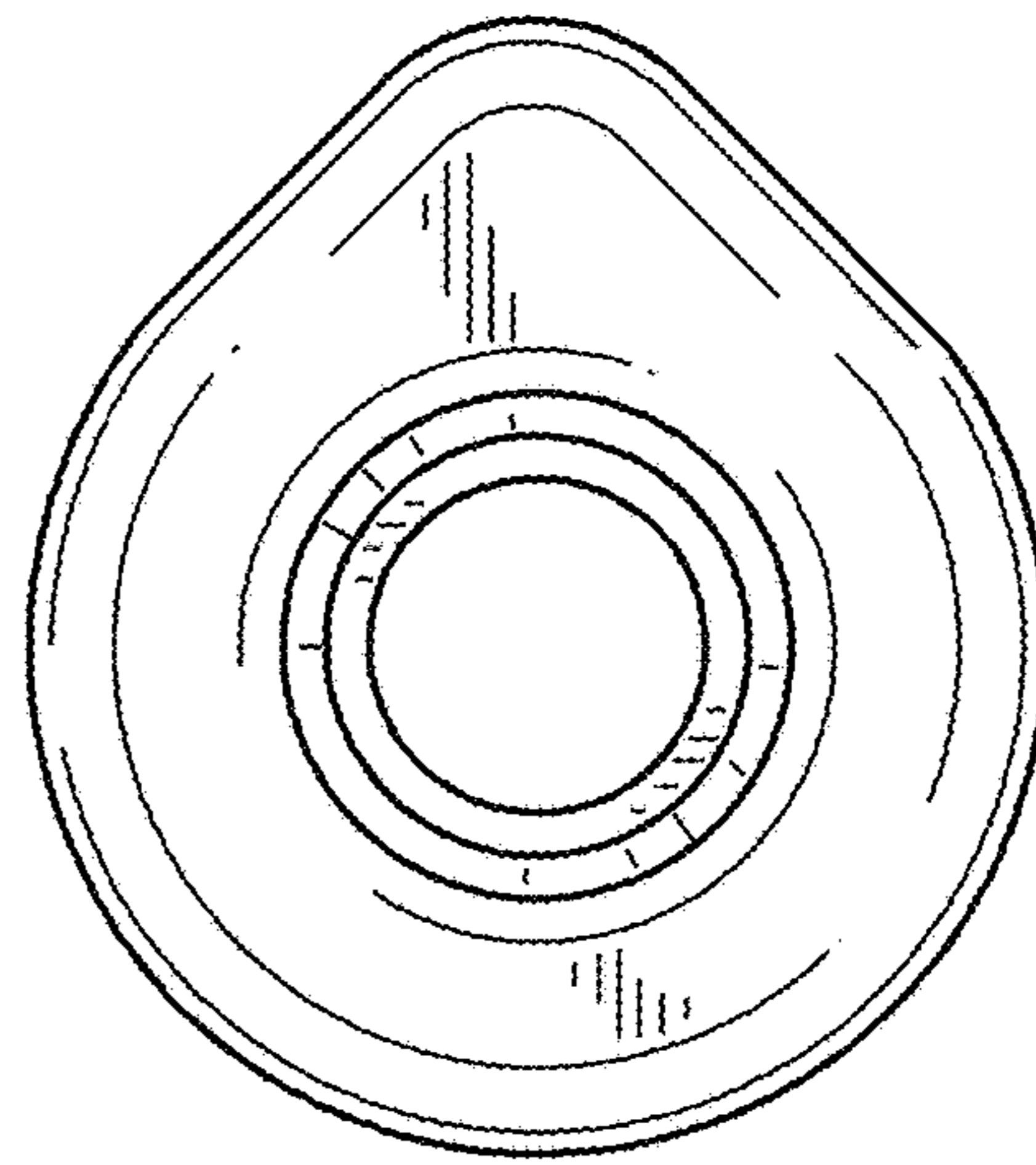


FIG. 7