



US00D779420S

(12) **United States Design Patent**
Krier et al.

(10) **Patent No.:** **US D779,420 S**

(45) **Date of Patent:** **** Feb. 21, 2017**

(54) **TIRE**

(71) Applicant: **The Goodyear Tire & Rubber Company, Akron, OH (US)**

(72) Inventors: **Jean-Julien Edouard Ghislain Krier, Bastogne (BE); Jacques Collette, Bastogne (BE)**

(73) Assignee: **The Goodyear Tire & Rubber Company, Akron, OH (US)**

(**) Term: **15 Years**

(21) Appl. No.: **29/548,382**

(22) Filed: **Dec. 14, 2015**

(51) **LOC (10) Cl.** **12-15**

(52) **U.S. Cl.**
USPC **D12/601**

(58) **Field of Classification Search**
USPC D12/568-604, 900
CPC B60C 1/0016; B60C 11/0306; B60C 11/0302; B60C 3/06; B60C 9/17
See application file for complete search history.

(56) **References Cited**

U.S. PATENT DOCUMENTS

D370,439 S *	6/1996	Feider	D12/588
D380,995 S	7/1997	Grosskopf	D12/143
D390,510 S	2/1998	Stone et al.	D12/143
D402,943 S	12/1998	Albert et al.	D12/147
D403,281 S	12/1998	Allen et al.	D12/147
D414,725 S *	10/1999	Kemp, Jr.	D12/588
D448,707 S	10/2001	Maziarka et al.	D12/147
D451,860 S	12/2001	Schuster et al.	D12/147
D460,407 S *	7/2002	Moore	D12/601
D472,204 S	3/2003	Kemp, Jr. et al.	D12/588
D481,670 S	11/2003	Harden, Jr. et al.	D12/595

D481,992 S	11/2003	Harden, Jr. et al.	D12/595
D511,741 S	11/2005	Cazin-Bourguignon et al.	D12/601
D534,484 S	1/2007	Feider et al.	D12/584

(Continued)

Primary Examiner — Robert M Spear
Assistant Examiner — John Voytek
(74) *Attorney, Agent, or Firm* — Robert N. Lipsik

(57) **CLAIM**

The ornamental design for a tire, as shown and described.

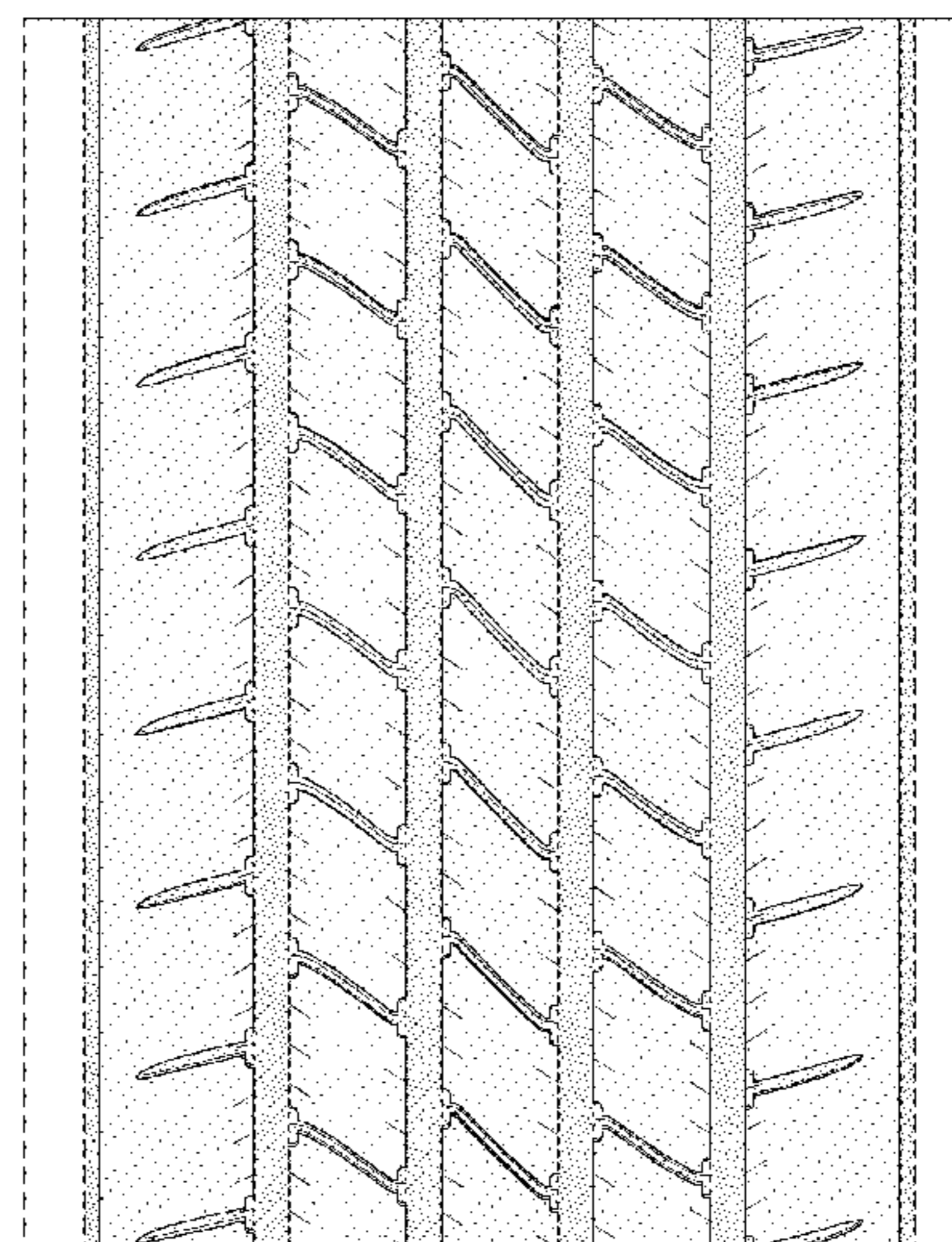
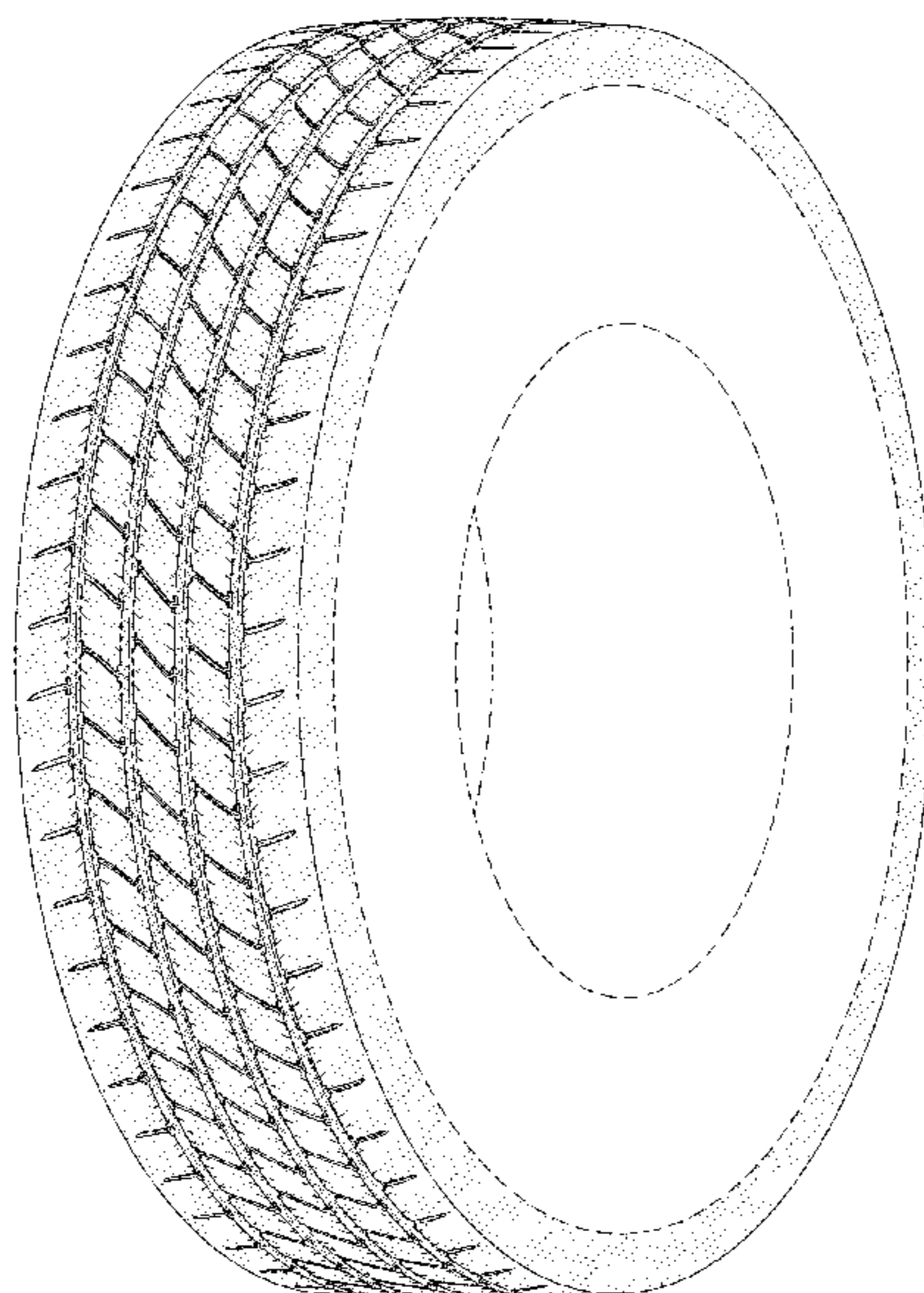
DESCRIPTION

FIG. 1 is a perspective view of a tire showing our new design, it being understood that the pattern repeats uniformly throughout the circumference of the tread;
FIG. 2 is a front elevational view thereof;
FIG. 3 is a right side elevational view thereof; the opposite side elevational view being identical thereto;
FIG. 4 is an enlarged fragmentary front elevational view thereof;
FIG. 5 is a perspective view of a second embodiment of a tire showing our new design, it being understood that the pattern repeats uniformly throughout the circumference of the tread and that the opposite side view is identical thereto; and,
FIG. 6 is a front elevational view of a second embodiment, it being understood that an enlarged fragmentary view thereof would be substantially identical to that shown in FIG. 4, with the exception of the inclusion of the sidewall in the claim.

In the drawings, the broken lines showing of the sidewall, inner bead and the peripheral boundary between the tire tread and the sidewall in FIGS. 1 through 4 depict environmental subject matter and form no part of the claimed design.

The dark stippled surface shading represents the recessed portion of the tread grooves having a depth as best shown in FIG. 2.

1 Claim, 6 Drawing Sheets



(56)

References Cited

U.S. PATENT DOCUMENTS

D554,053	S	10/2007	Feider et al.	D12/588
D555,081	S	11/2007	Feider et al.	D12/588
D609,169	S	2/2010	Feider	D12/588
D609,170	S	2/2010	Feider et al.	D12/588
D609,175	S	2/2010	Feider et al.	D12/600
D615,922	S *	5/2010	Takano	D12/588
D620,430	S *	7/2010	Gillard	D12/600
D647,035	S *	10/2011	Brown	D12/588
D664,913	S	8/2012	Le et al.	D12/521
D667,781	S *	9/2012	Georges	D12/588
D674,740	S *	1/2013	Mathonet	D12/588
D674,741	S	1/2013	Mathonet et al.	D12/588
D686,973	S	7/2013	Otani	D12/588
D702,180	S	4/2014	Le et al.	D12/588
D719,907	S *	12/2014	Ohara	D12/588
D738,294	S *	9/2015	Koog	D12/584
D743,327	S *	11/2015	Schimmoeller	D12/588
D758,293	S *	6/2016	Kitajima	D12/588

* cited by examiner

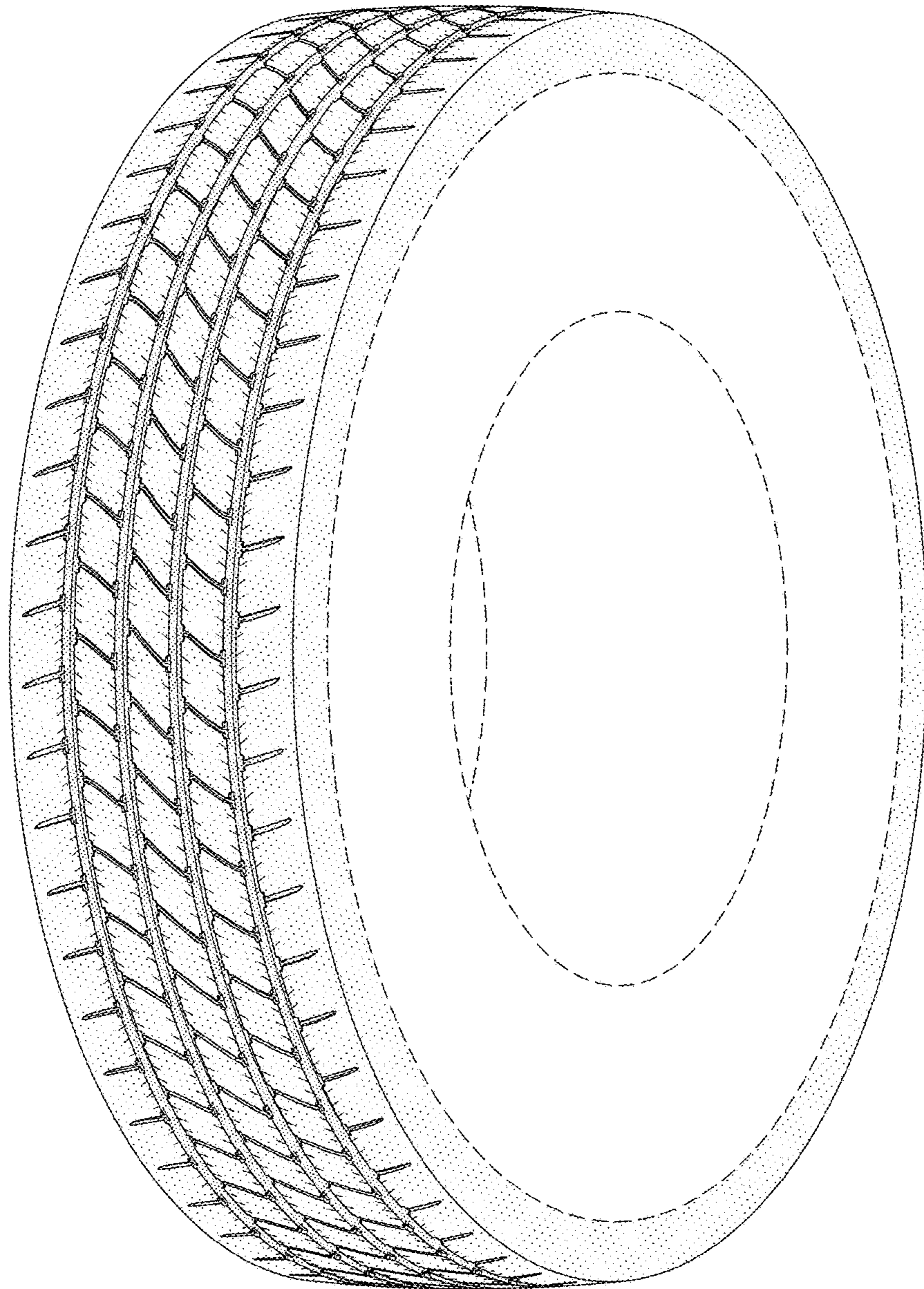


FIG-1

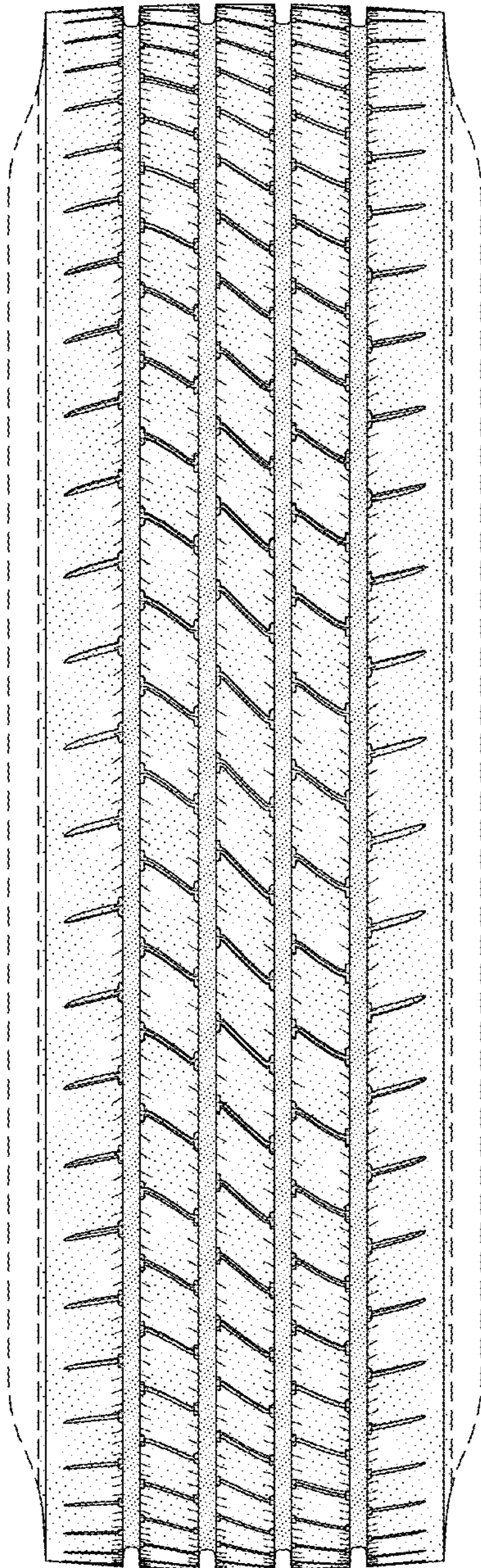


FIG-2

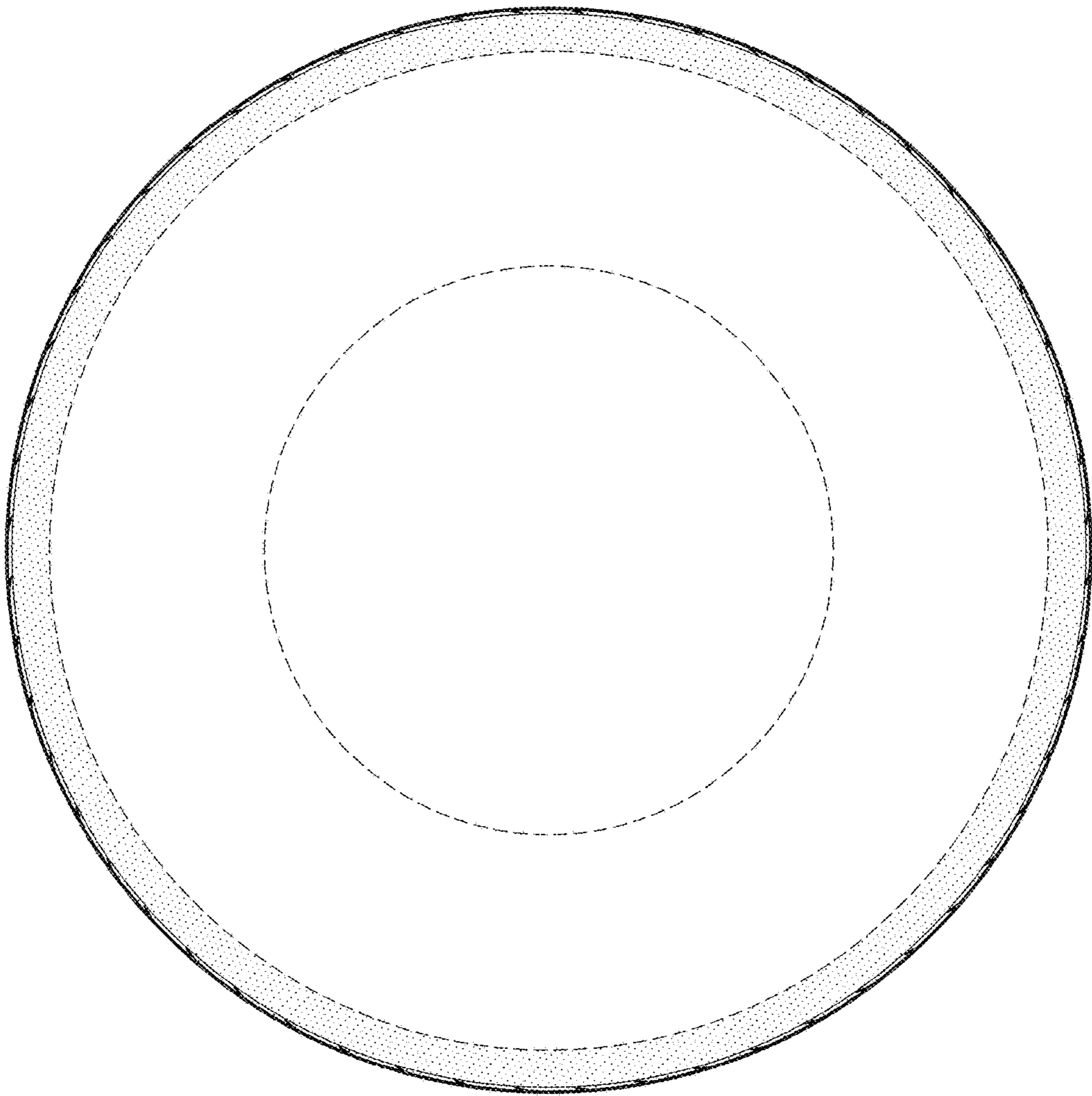


FIG-3

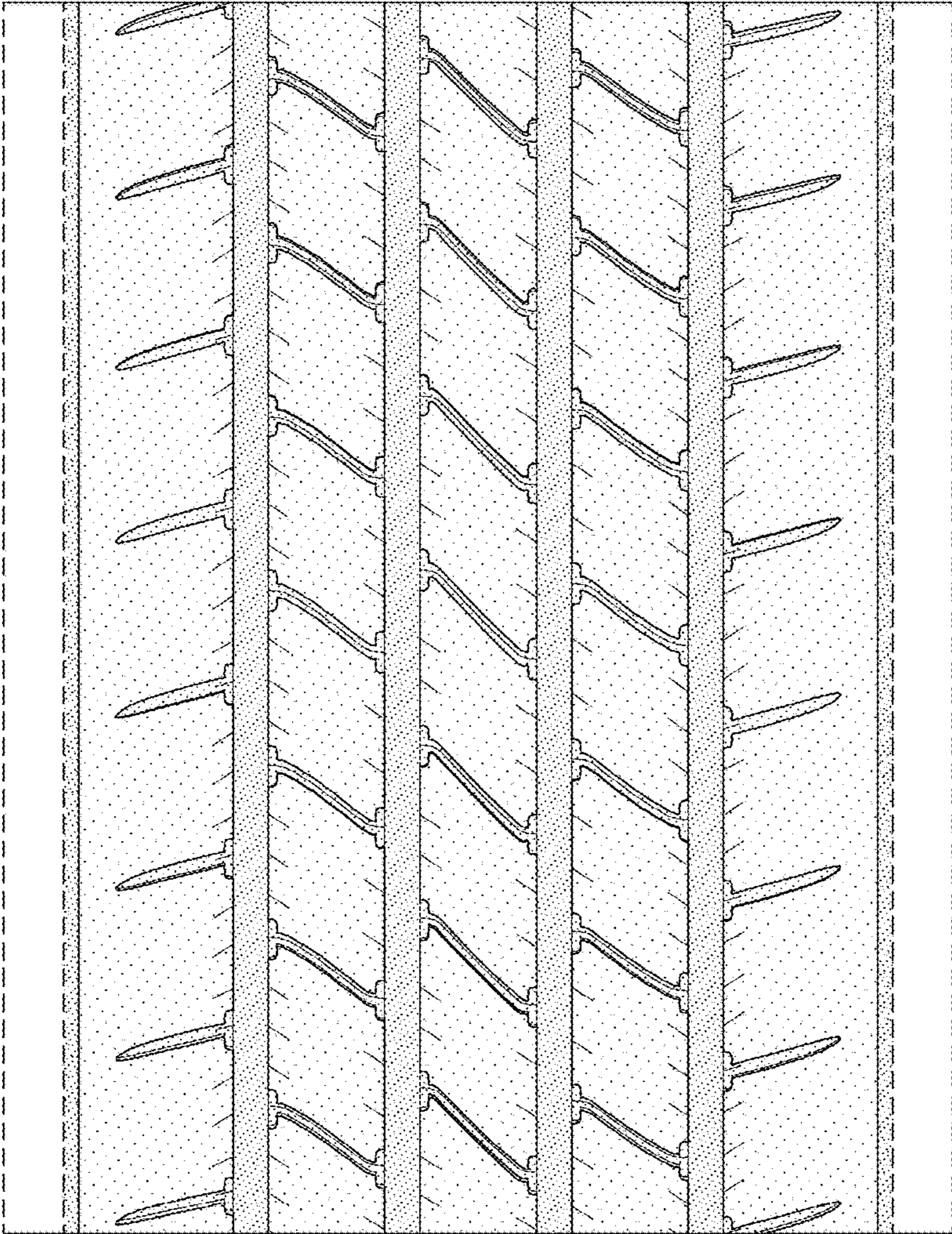


FIG-4

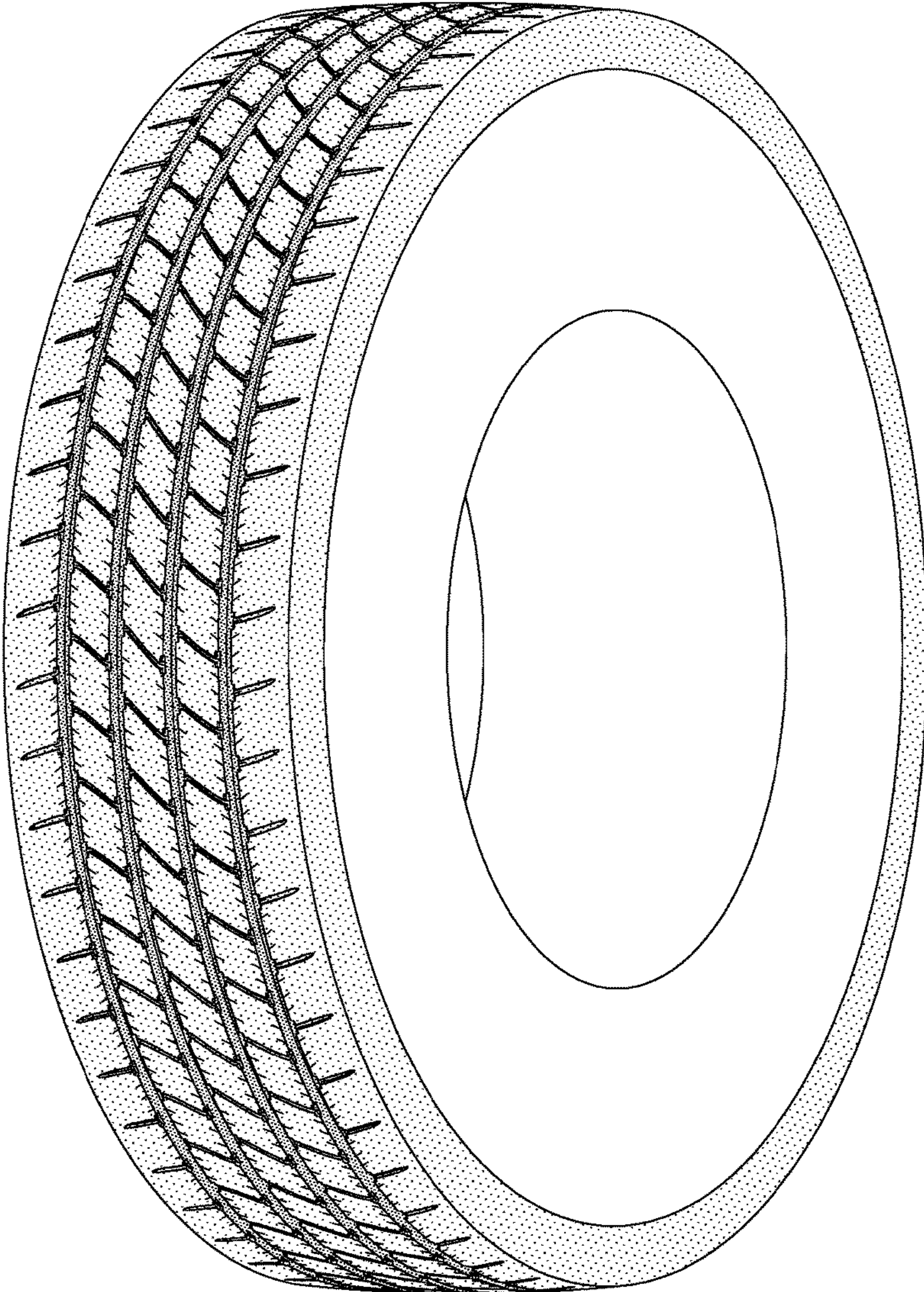


FIG-5

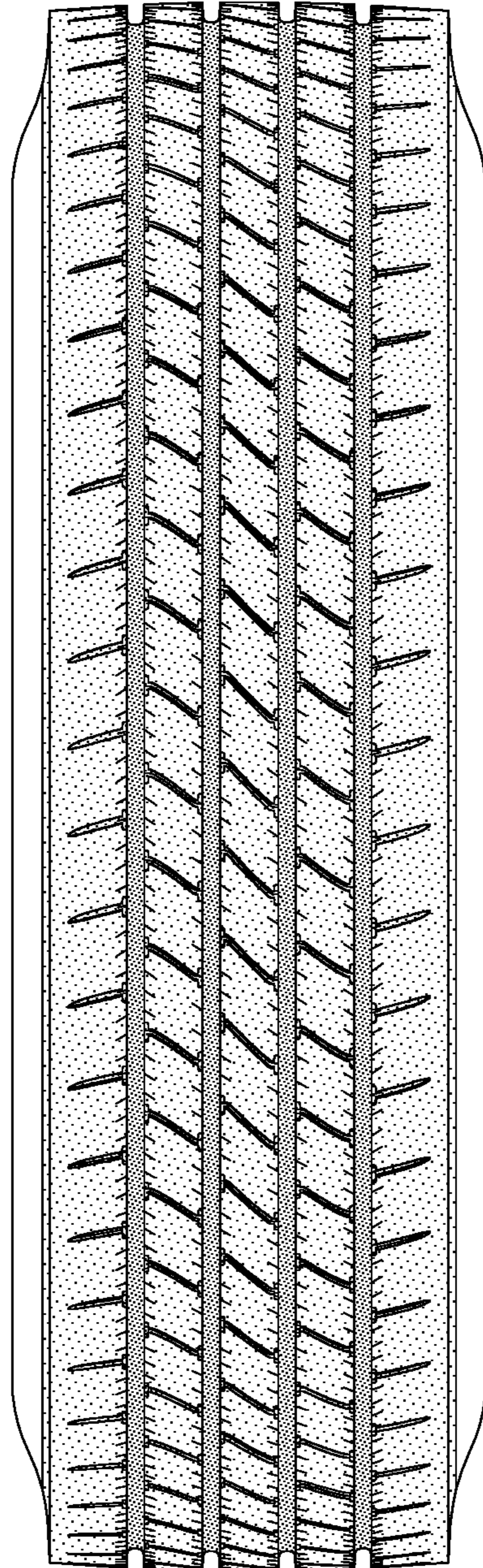


FIG-6