



US00D779417S

(12) **United States Design Patent**  
**De Giacco**

(10) **Patent No.:** **US D779,417 S**

(45) **Date of Patent:** **\*\* Feb. 21, 2017**

(54) **TIRE TREAD**

(71) Applicant: **BRIDGESTONE CORPORATION**,  
Chuo-ku, Tokyo (JP)

(72) Inventor: **Alberico De Giacco**, Rome (IT)

(73) Assignee: **BRIDGESTONE CORPORATION**,  
Tokyo (JP)

(\*\*) Term: **14 Years**

(21) Appl. No.: **29/498,428**

(22) Filed: **Aug. 4, 2014**

(30) **Foreign Application Priority Data**

Feb. 5, 2014 (EP) ..... 002399196  
Jul. 25, 2014 (EP) ..... 002509356

(51) **LOC (10) Cl.** ..... **12-15**

(52) **U.S. Cl.**  
USPC ..... **D12/594**

(58) **Field of Classification Search**  
USPC ..... D12/533-567  
CPC ..... B60C 1/0016; B60C 11/0306; B60C  
11/0302; B60C 3/06; B60C 9/17  
See application file for complete search history.

(56) **References Cited**

**U.S. PATENT DOCUMENTS**

D410,420 S \* 6/1999 de Barsy ..... D12/600  
D458,580 S \* 6/2002 Young ..... D12/512

D550,147 S \* 9/2007 Radulescu ..... D12/545  
D615,483 S \* 5/2010 Godeau ..... D12/564  
D637,150 S \* 5/2011 Koshio ..... D12/579  
D647,036 S \* 10/2011 Yamaguchi ..... D12/588  
D661,245 S \* 6/2012 Buchinger-Barnstorf ... D12/564  
D675,981 S \* 2/2013 Kuwahara ..... D12/600  
D720,686 S \* 1/2015 Koog ..... D12/566  
D735,117 S \* 7/2015 Koog ..... D12/564  
D735,646 S \* 8/2015 Hair, Jr. .... D12/594  
D758,956 S \* 6/2016 Mathonet ..... D12/565  
D759,582 S \* 6/2016 Nobunaga ..... D12/588

\* cited by examiner

*Primary Examiner* — Robert M Spear

*Assistant Examiner* — John Voytek

(74) *Attorney, Agent, or Firm* — Sughrue Mion, PLLC

(57) **CLAIM**

The ornamental design for a tire tread, as shown and described.

**DESCRIPTION**

FIG. 1 is a perspective view of a tire tread according to my design;

FIG. 2 is a front view thereof;

FIG. 3 is a rear view thereof;

FIG. 4 is left side view thereof;

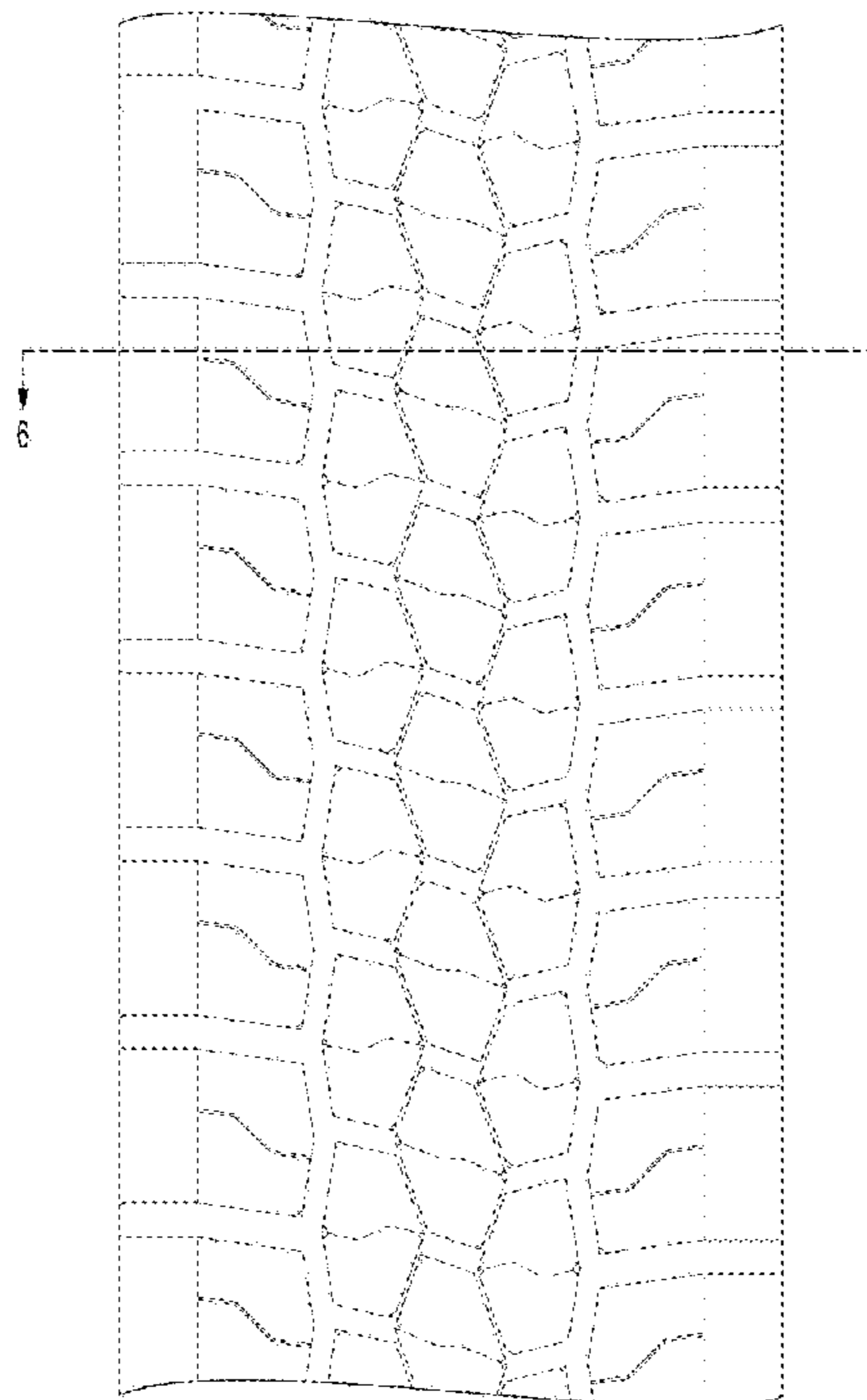
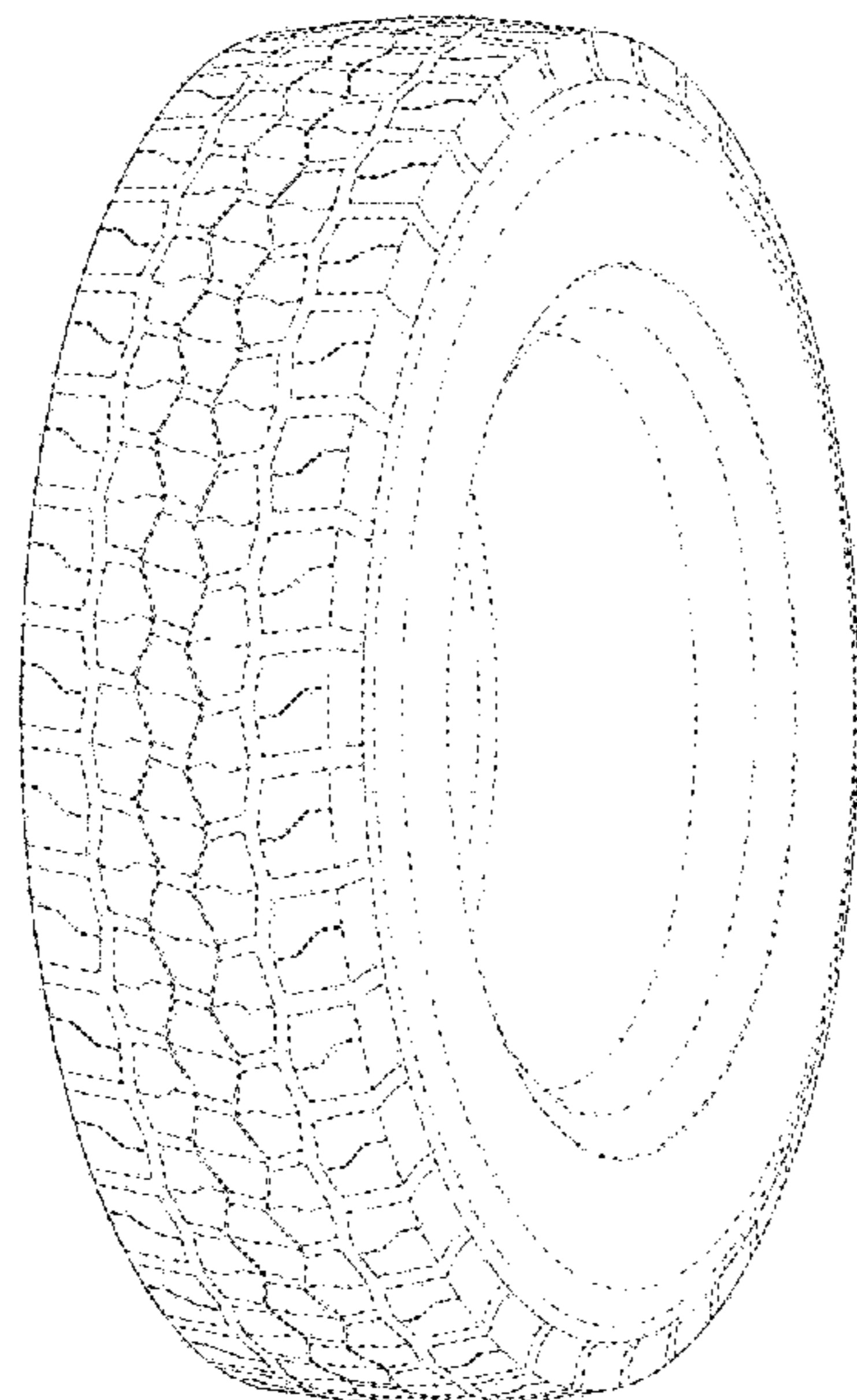
FIG. 5 is right side view thereof;

FIG. 6 is a transversal section view thereof; and,

FIG. 7 is a pattern view thereof.

The broken lines are for the purpose of showing environmental structure only and form no part of the claimed design.

**1 Claim, 7 Drawing Sheets**



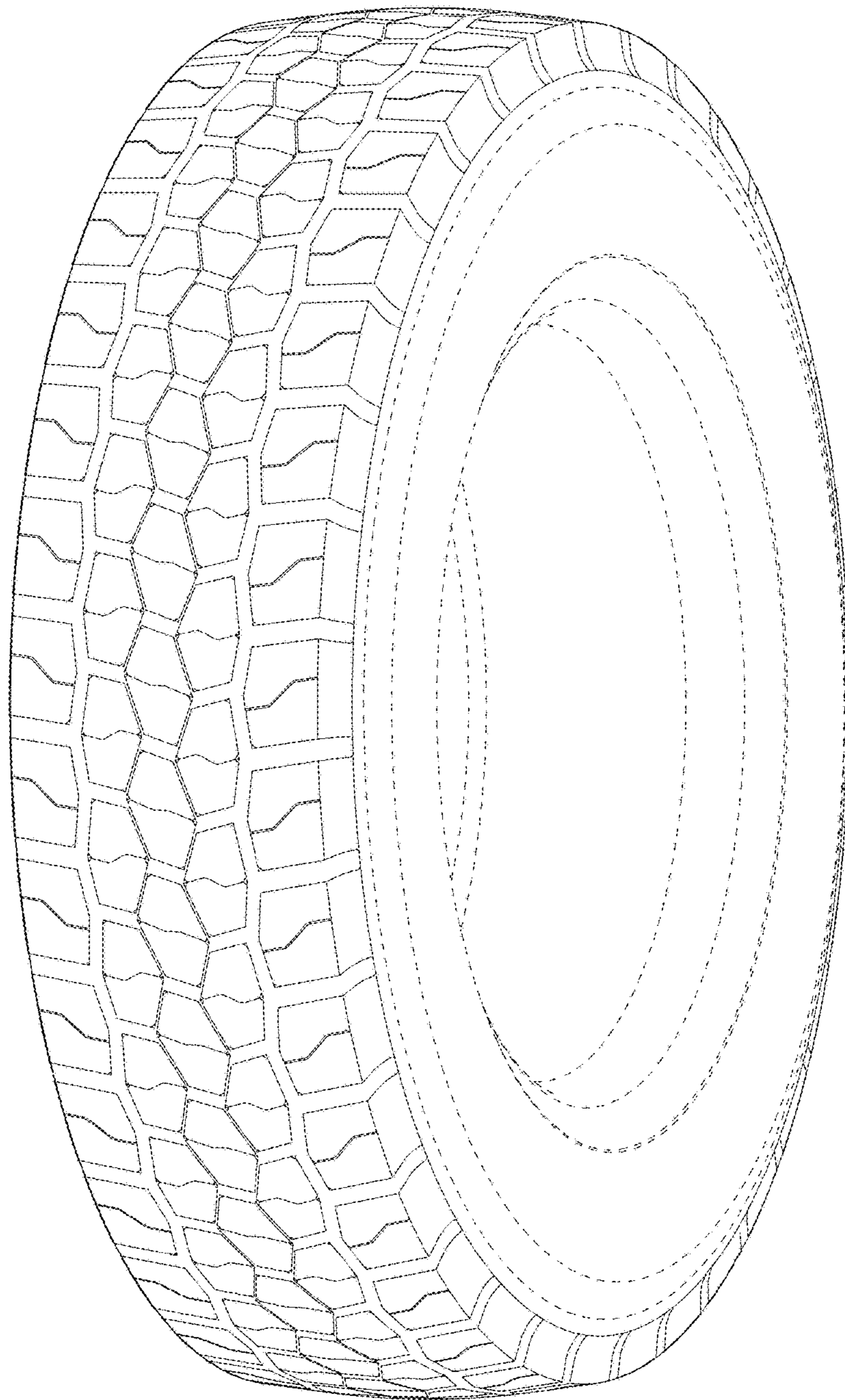


FIG. 1

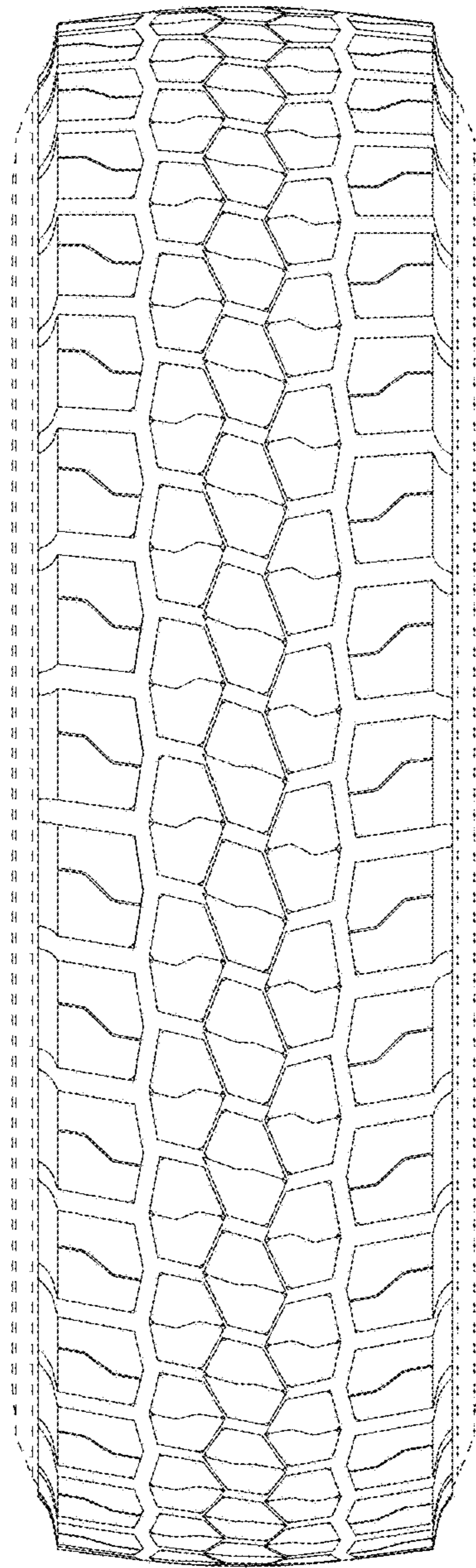


FIG. 2

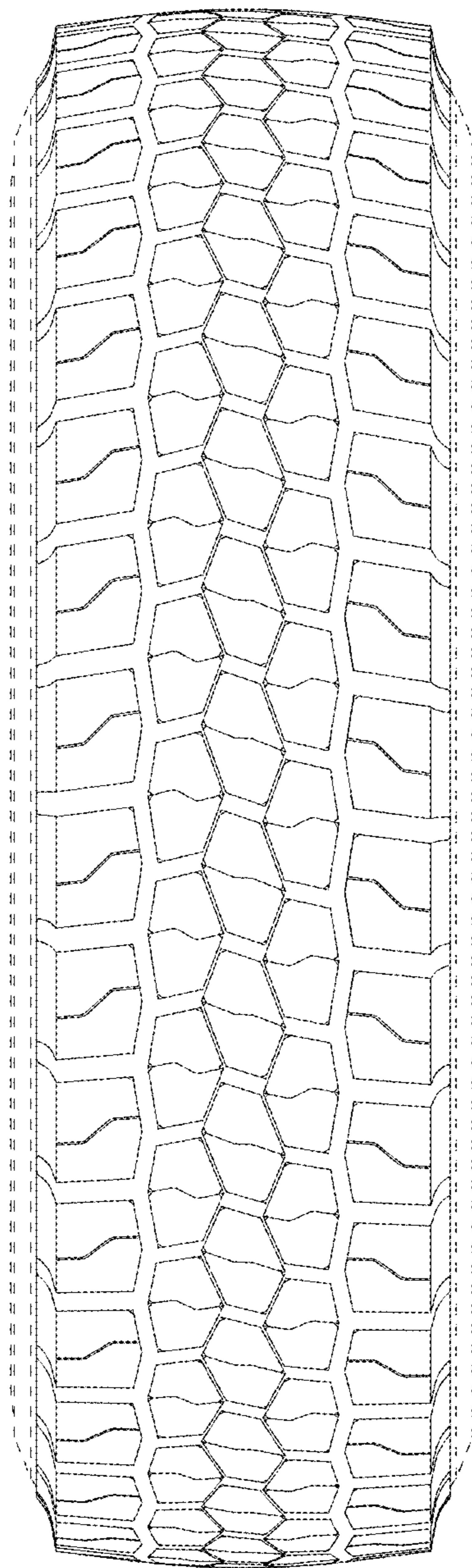


FIG. 3

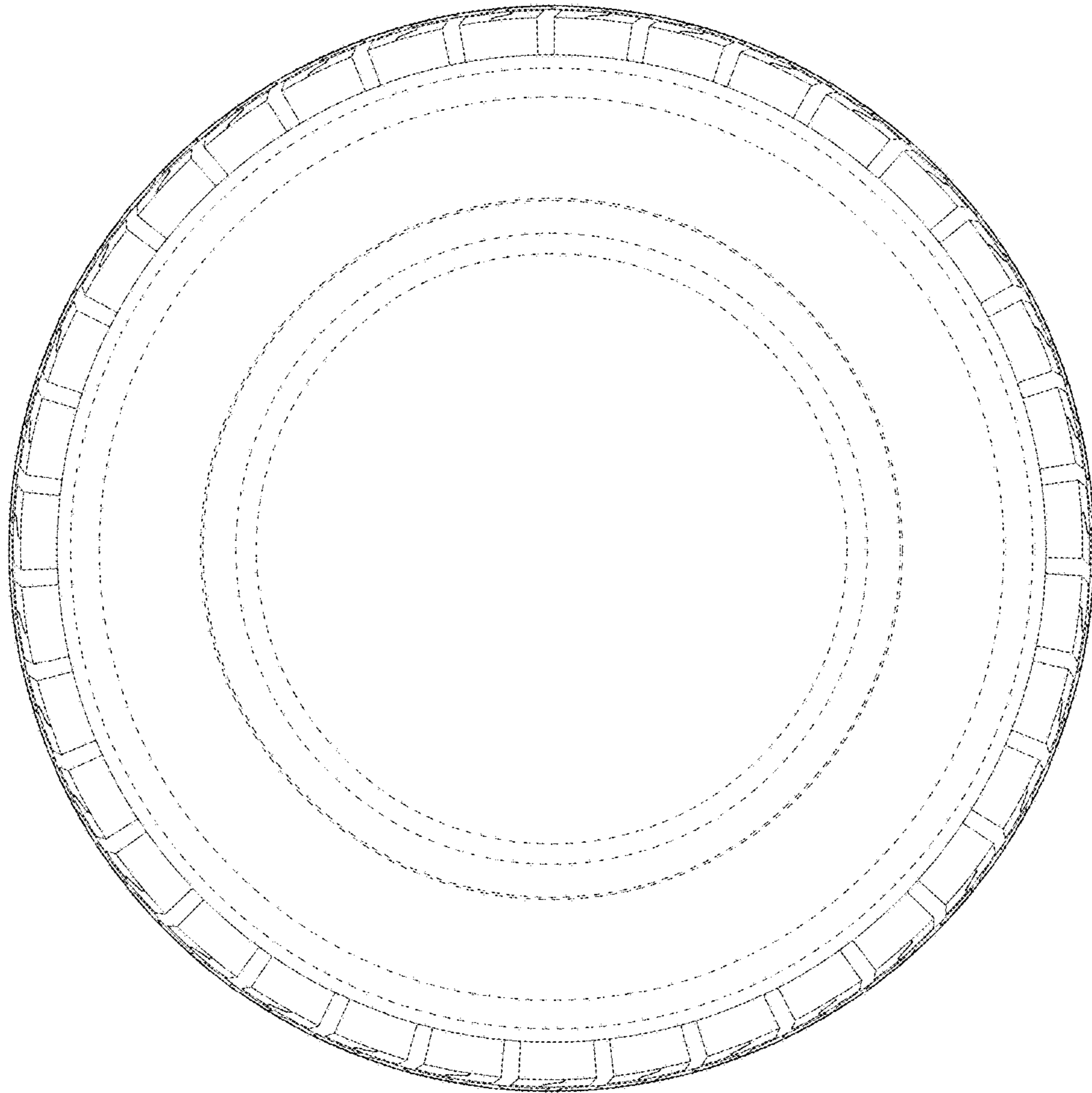


FIG. 4

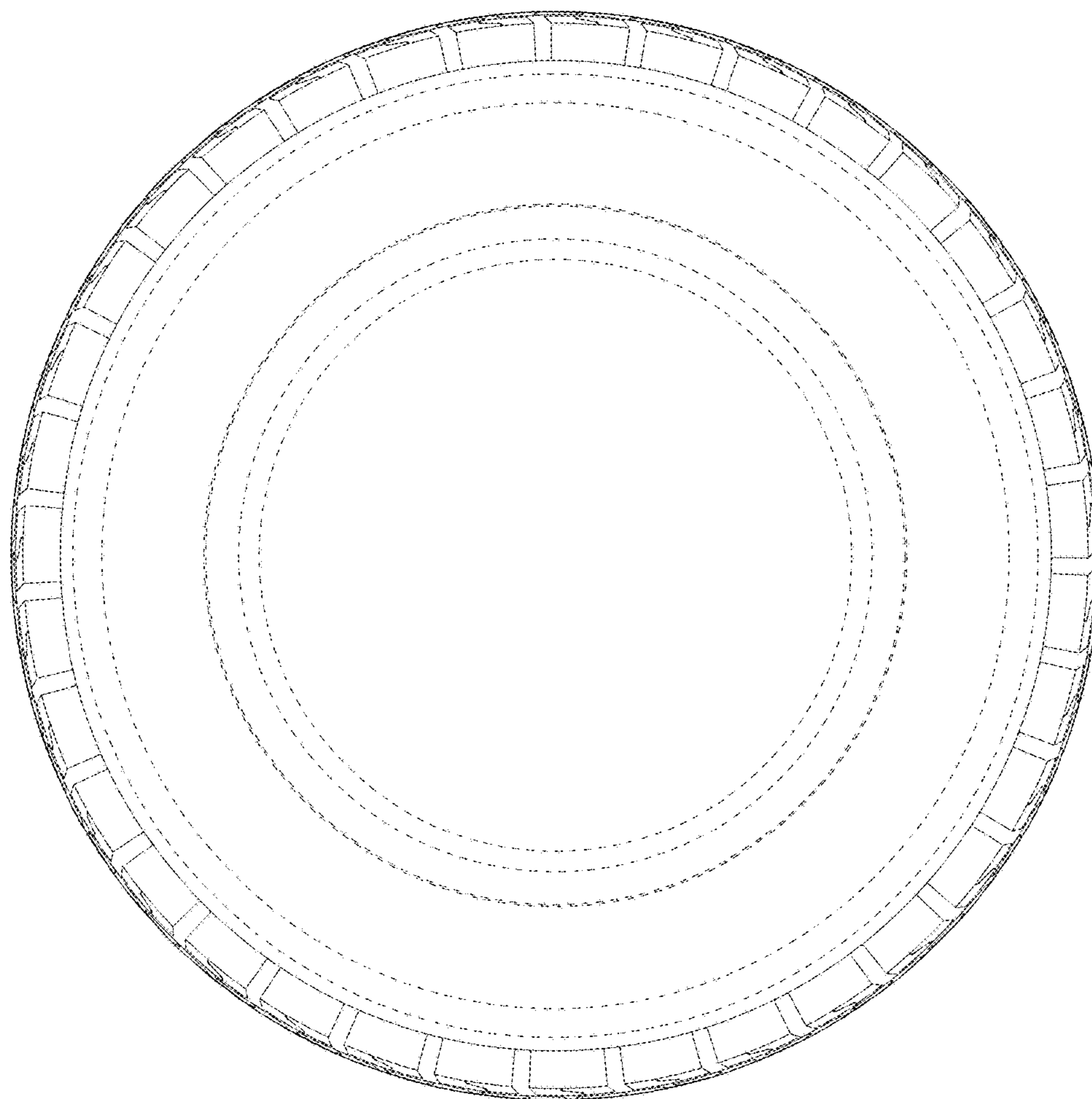


FIG. 5

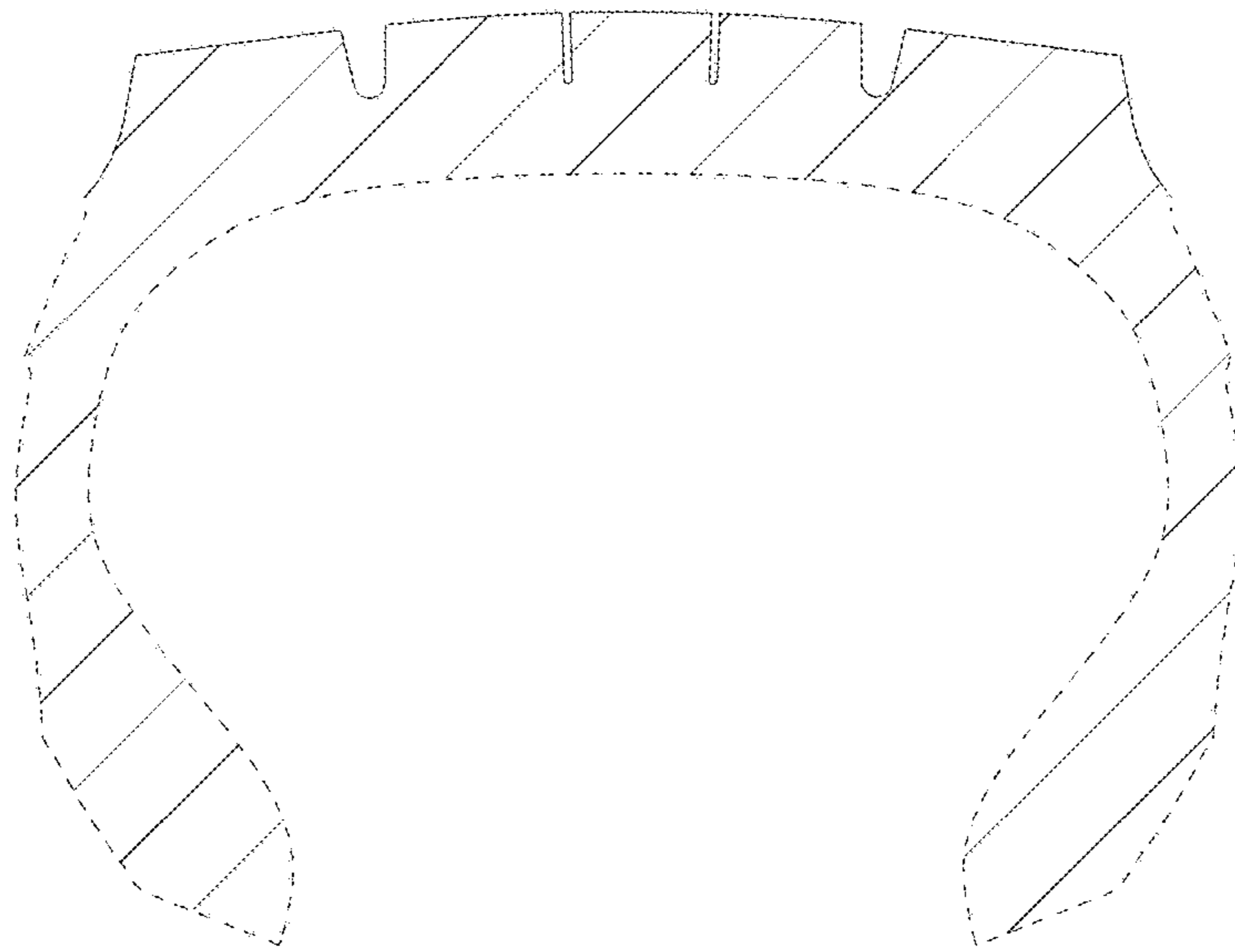


FIG. 6

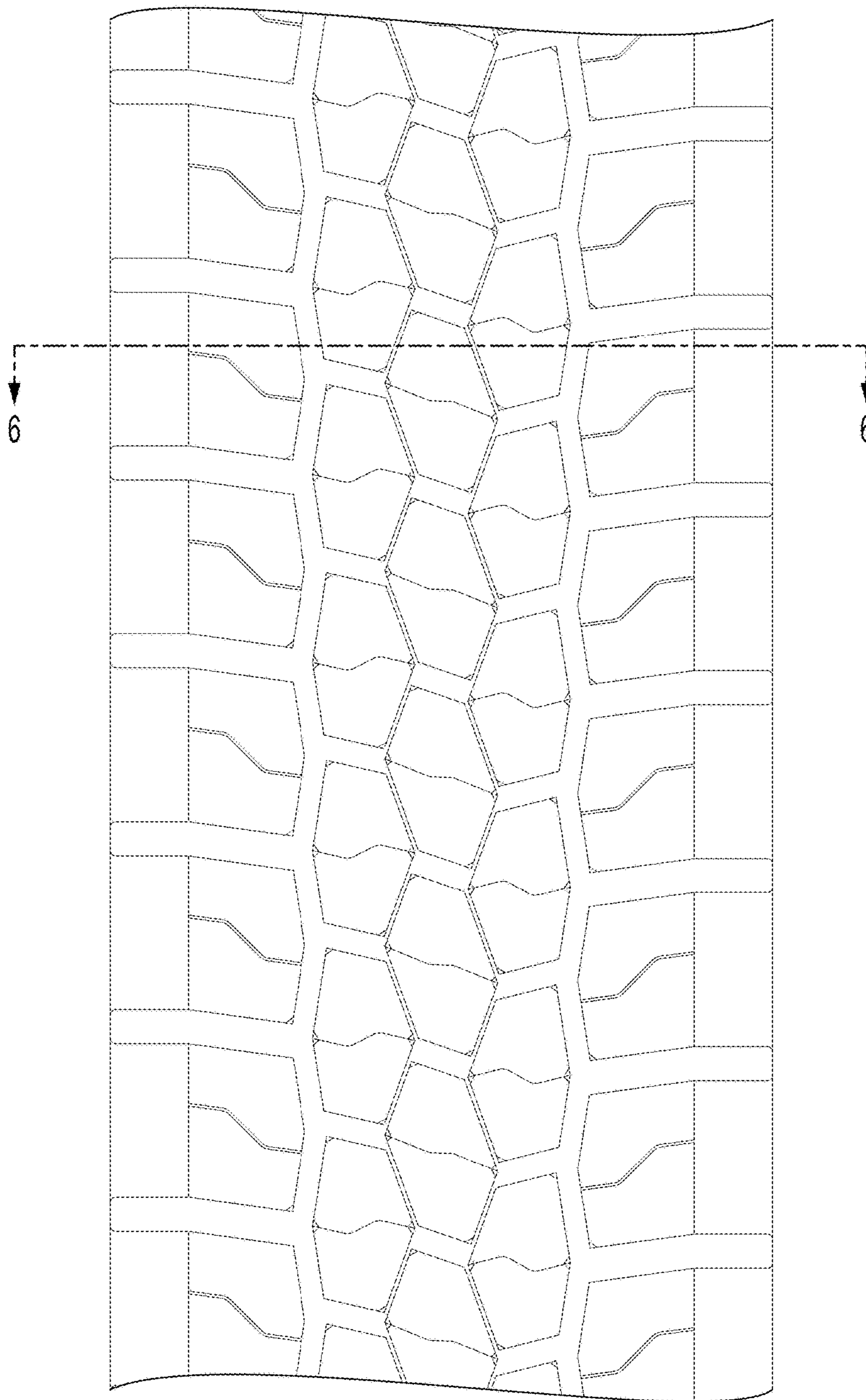


FIG. 7